



US00D556220S

(12) **United States Design Patent**
Friedrich

(10) **Patent No.:** **US D556,220 S**

(45) **Date of Patent:** **** Nov. 27, 2007**

(54) **SEWING MACHINE**

D514,598 S * 2/2006 Egami D15/69
D514,599 S * 2/2006 Egami D15/69
D520,027 S * 5/2006 Kuroki D15/69

(76) Inventor: **Lucia Vivacqua Friedrich**, Rua
Particular 2, n° 04, (Av. 15) Bairro SA°
CEP, Rio Claro, S. Paulo (BR)
13500-338

* cited by examiner

Primary Examiner—Mitchell Siegel

Assistant Examiner—Shanda C. Hill

(74) *Attorney, Agent, or Firm*—Venable LLP; Eric J.
Franklin

(**) Term: **14 Years**

(21) Appl. No.: **29/257,729**

(22) Filed: **Apr. 10, 2006**

(57) **CLAIM**

(51) **LOC (8) Cl.** **15-06**

(52) **U.S. Cl.** **D15/69**

(58) **Field of Classification Search** D15/66,
D15/67, 69, 70, 77; 112/2, 78, 154, 475.01

See application file for complete search history.

I claim the ornamental design for a sewing machine, as
shown and described.

DESCRIPTION

(56) **References Cited**

U.S. PATENT DOCUMENTS

D377,359 S	1/1997	Chung et al.	
D377,360 S	1/1997	Chung et al.	
D377,361 S	1/1997	Chung et al.	
D390,852 S	2/1998	McLinden et al.	
D434,781 S *	12/2000	Kawaguchi	D15/69
D450,723 S *	11/2001	Iwai et al.	D15/70
D462,703 S	9/2002	Farne	
D478,099 S *	8/2003	Muto	D15/69
D481,738 S *	11/2003	Egami	D15/69
D490,090 S	5/2004	Sanchez	
D503,726 S *	4/2005	Iwai	D15/69
D508,500 S *	8/2005	Kawaguchi	D15/70

FIG. 1 is a front perspective view of an embodiment of a
sewing machine showing my new design;

FIG. 2 is a top plan view of the sewing machine shown in
FIG. 1;

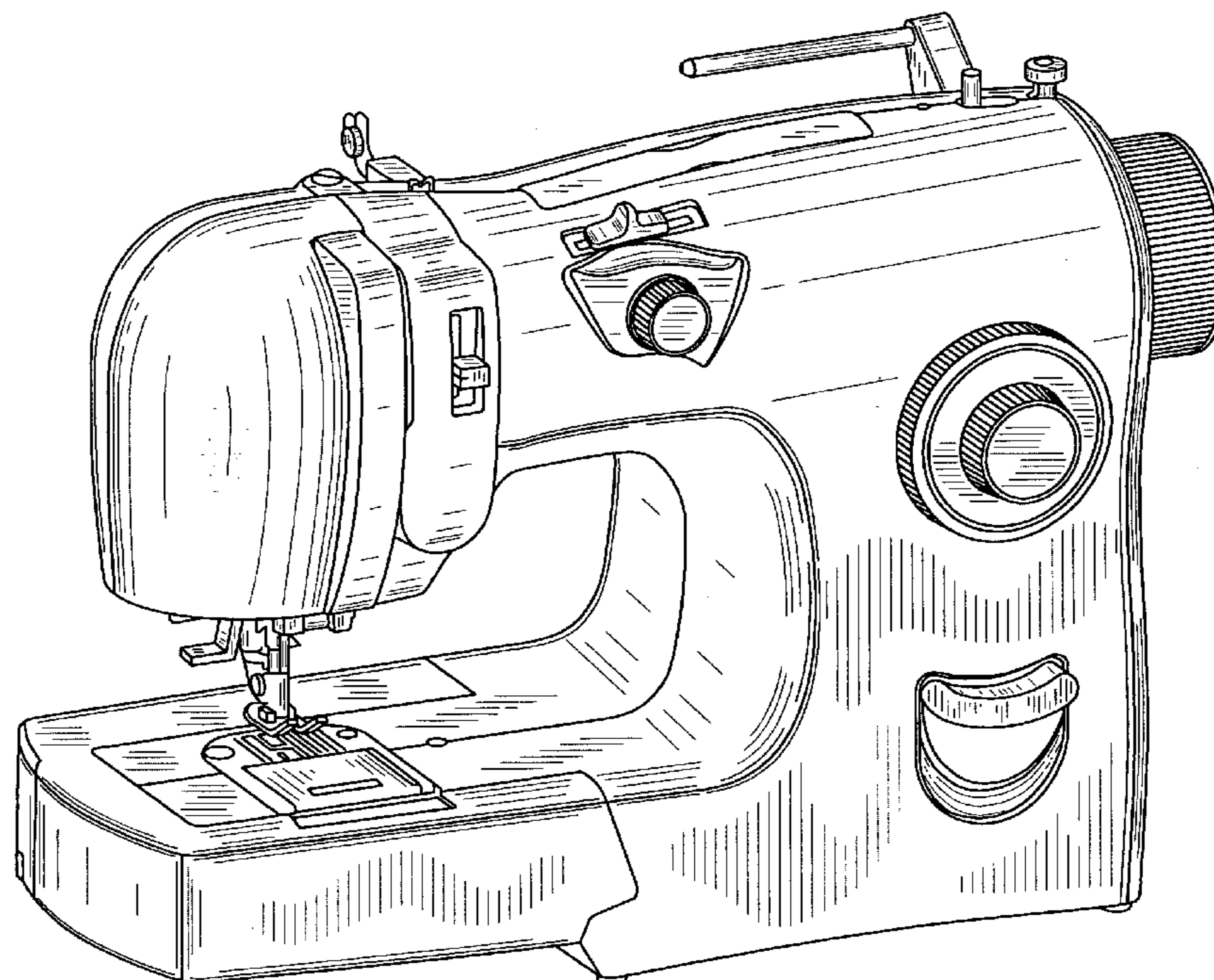
FIG. 3 is a front view of the sewing machine shown in FIG.
1;

FIG. 4 is a lefthand side view of the sewing machine shown
in FIG. 1;

FIG. 5 is a righthand side view of the sewing machine shown
in FIG. 1; and,

FIG. 6 is a rear view of the sewing machine shown in FIG.
1.

1 Claim, 6 Drawing Sheets



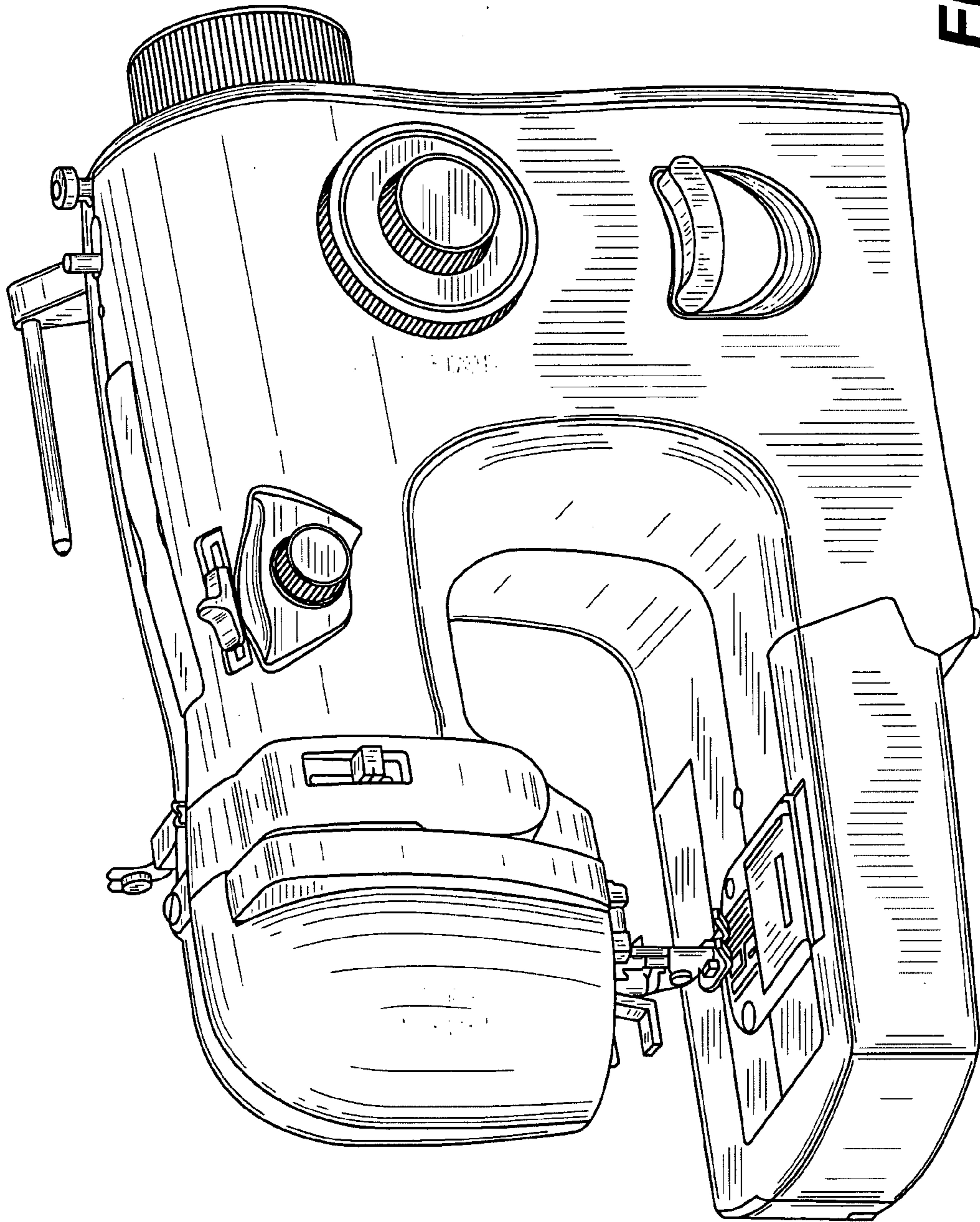


FIG. 1

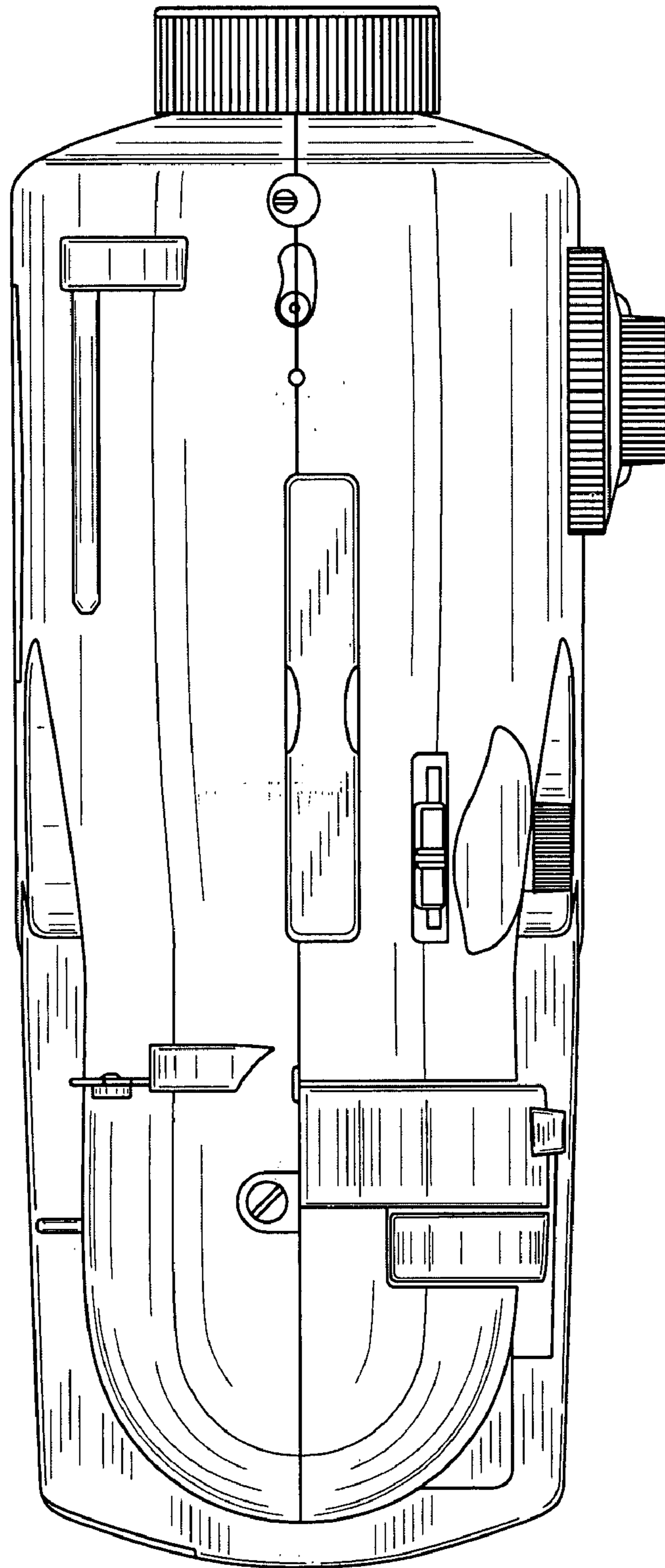


FIG. 2

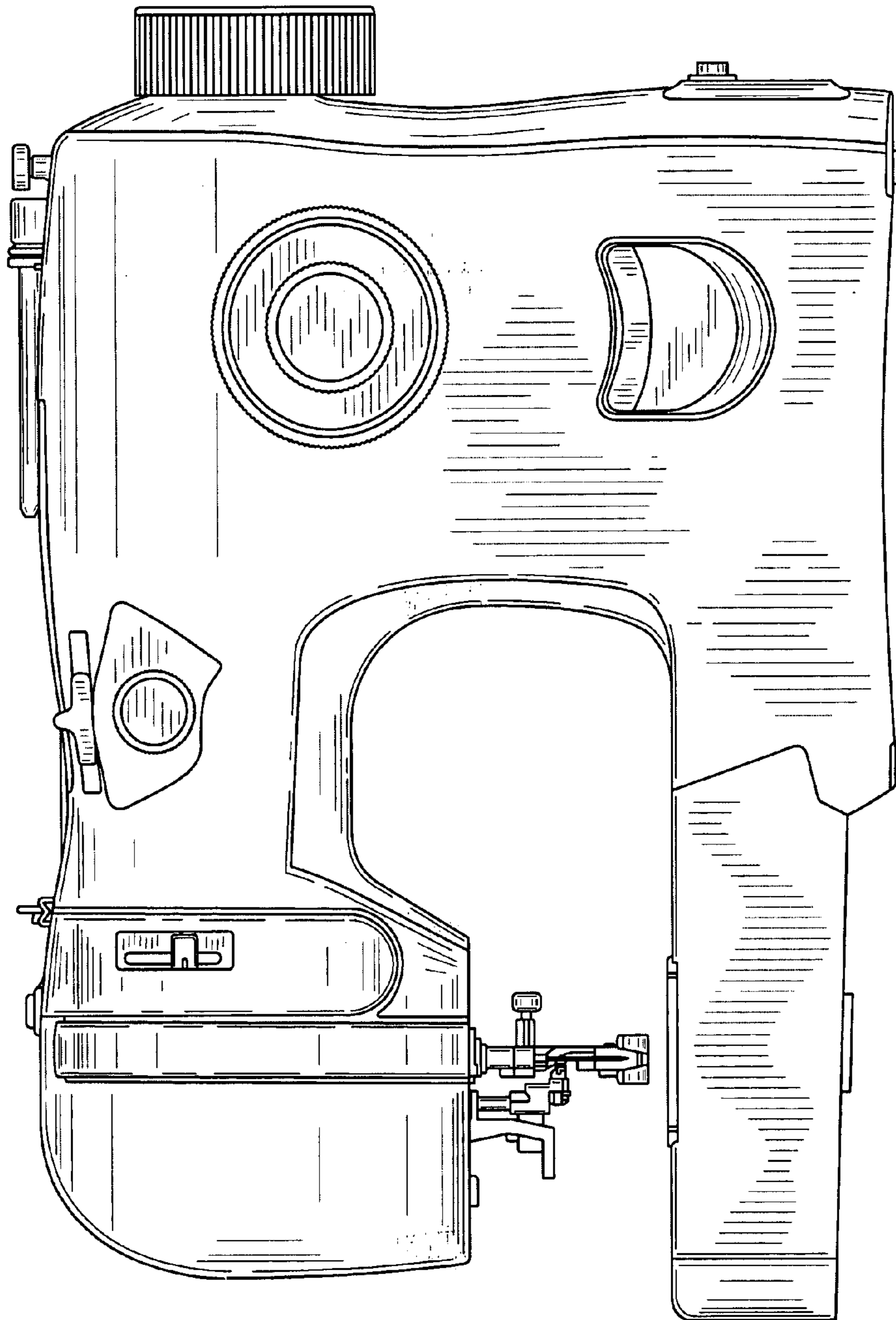


FIG. 3

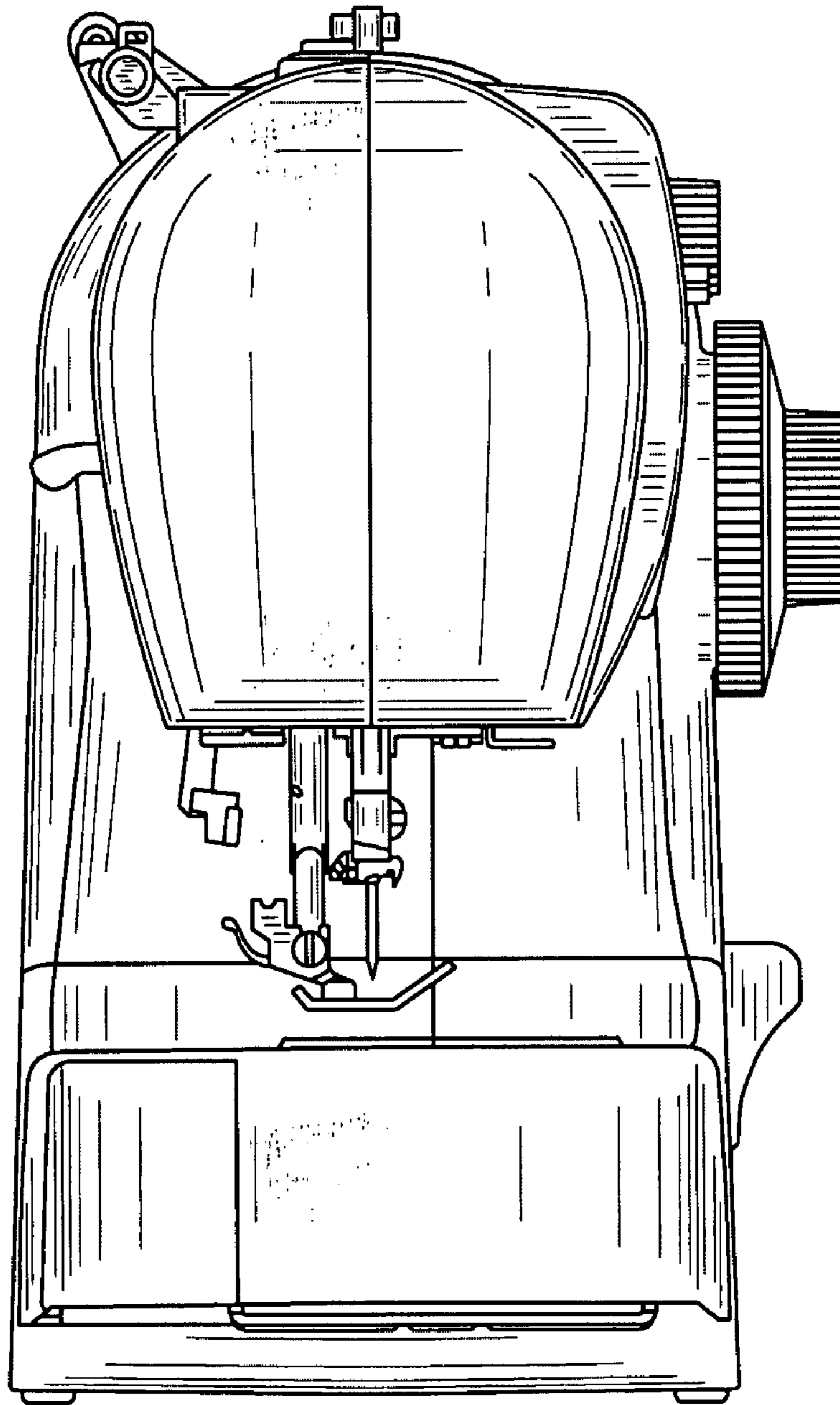


FIG. 4

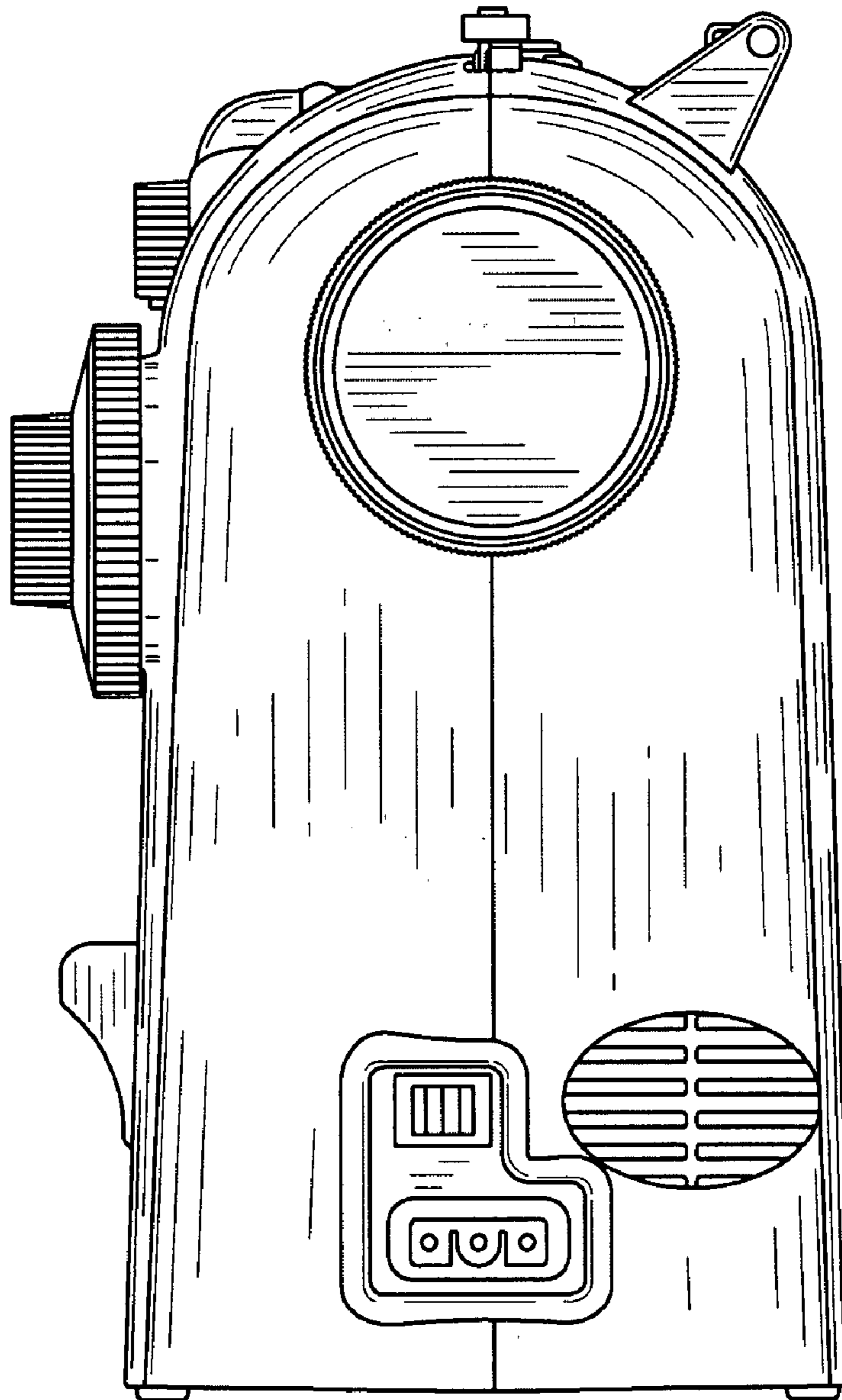


FIG. 5

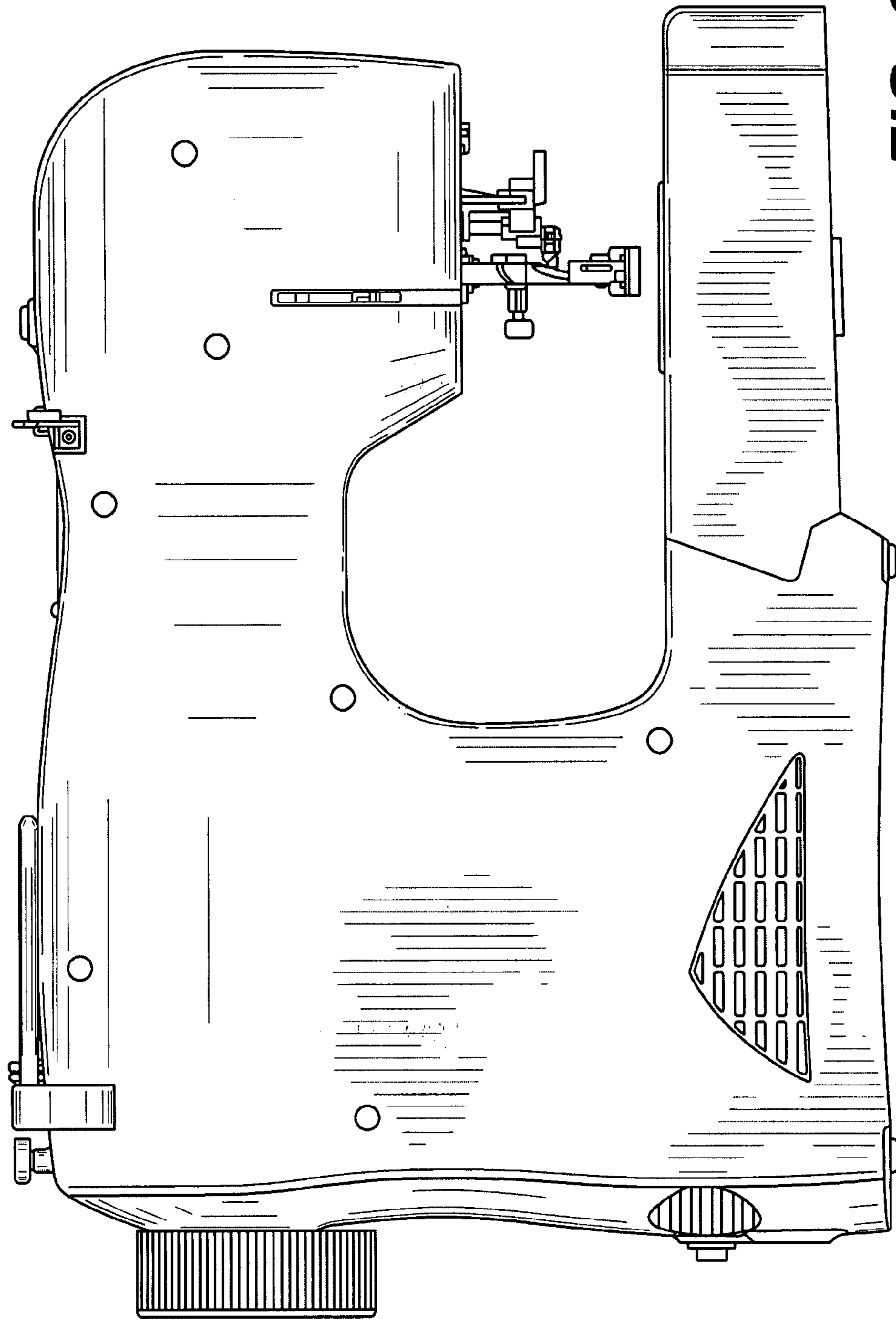


FIG. 6