



US00D556219S

(12) **United States Design Patent**  
**Buck**

(10) **Patent No.:** **US D556,219 S**

(45) **Date of Patent:** **\*\* \*Nov. 27, 2007**

(54) **PORTIONS OF A HAND PORTABLE AIR COMPRESSOR**

D461,196 S \* 8/2002 Buck ..... D15/9

D482,371 S \* 11/2003 Buck ..... D15/9

D491,197 S \* 6/2004 White et al. .... D15/9

(75) Inventor: **John E. Buck**, Cockeysville, MD (US)

(73) Assignee: **Black & Decker Inc.**, Newark, DE (US)

\* cited by examiner

(\* ) Notice: This patent is subject to a terminal disclaimer.

*Primary Examiner*—Ralf Seifert

(74) *Attorney, Agent, or Firm*—Adan Ayala

(\*\*) Term: **14 Years**

(57) **CLAIM**

(21) Appl. No.: **29/240,040**

The ornamental design for portions of a hand portable air compressor, as shown and described.

(22) Filed: **Oct. 7, 2005**

**Related U.S. Application Data**

**DESCRIPTION**

(63) Continuation of application No. 29/222,966, filed on Feb. 7, 2005, now Pat. No. Des. 515,591, which is a continuation of application No. 29/214,667, filed on Oct. 6, 2004, now Pat. No. Des. 516,092, which is a continuation of application No. 29/185,115, filed on Jun. 20, 2003, now Pat. No. Des. 505,430.

FIG. 1 is a right front perspective view of portions of a hand portable air compressor showing a first embodiment of my new design.

FIG. 2 is a front view of FIG. 1.

FIG. 3 is a rear view of FIG. 1.

FIG. 4 is a left side view of FIG. 1.

FIG. 5 is a right side view of FIG. 1.

FIG. 6 is a top view of FIG. 1; and,

FIG. 7 is a bottom view of FIG. 1.

The dashed lines and the areas within the dashed lines form no part of the claimed ornamental design.

(51) **LOC (8) Cl.** ..... **15-02**

(52) **U.S. Cl.** ..... **D15/9**

(58) **Field of Classification Search** ..... D15/7-9;  
D23/232, 231; 417/359, 415-416, 410.1,  
417/321, 265, 405

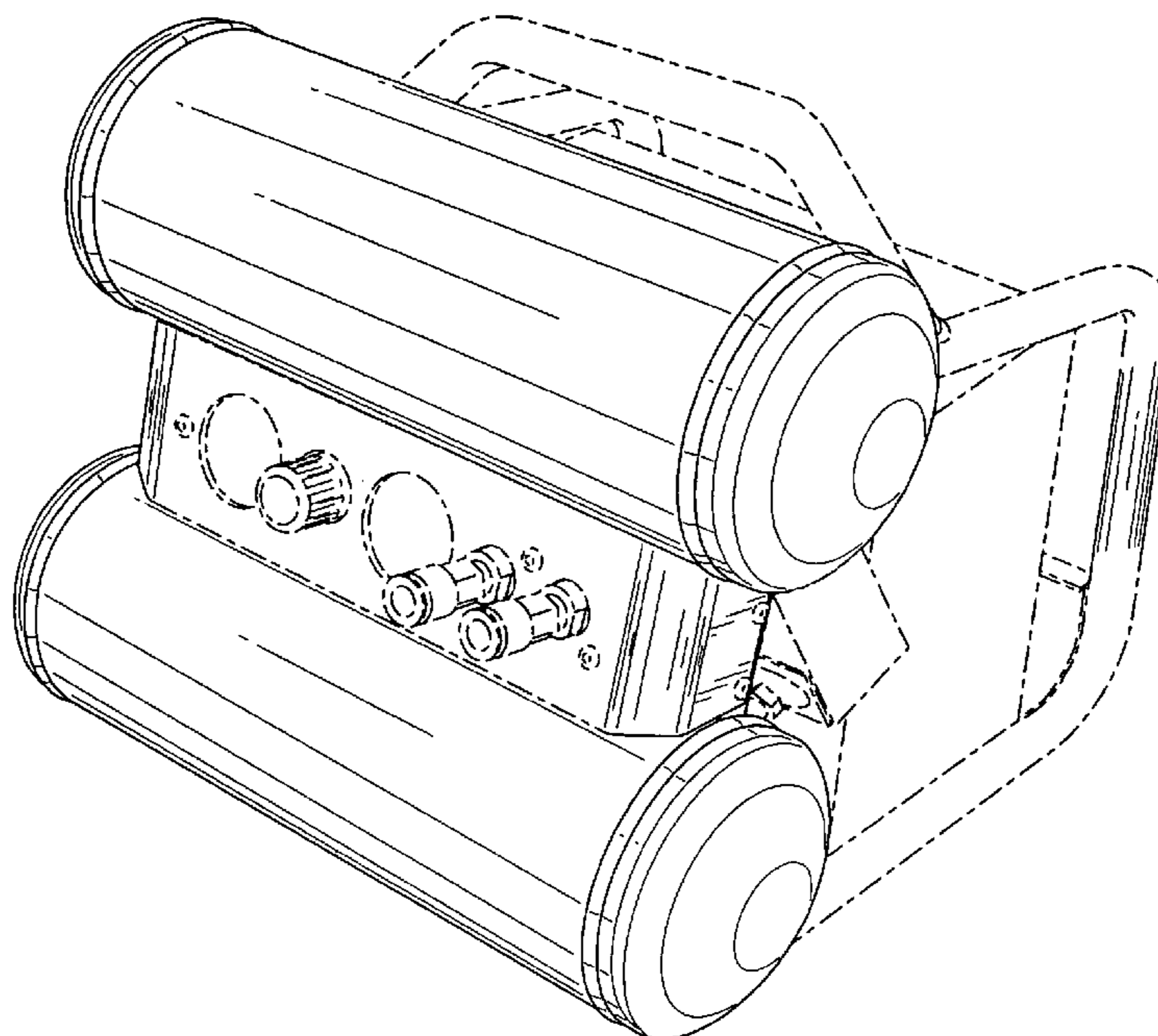
See application file for complete search history.

(56) **References Cited**

**U.S. PATENT DOCUMENTS**

D460,763 S \* 7/2002 Buck ..... D15/9

**1 Claim, 7 Drawing Sheets**



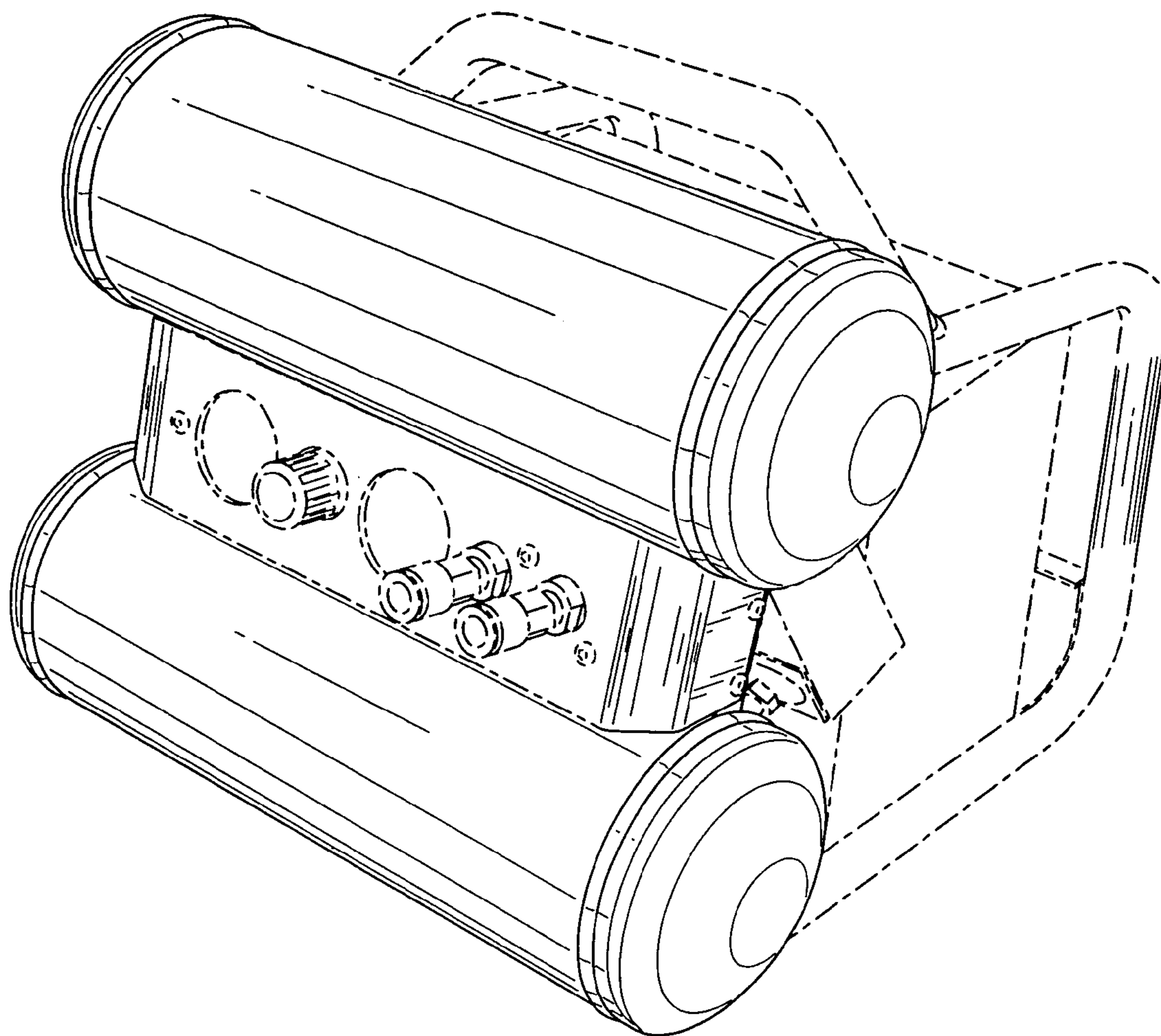


FIG. 1

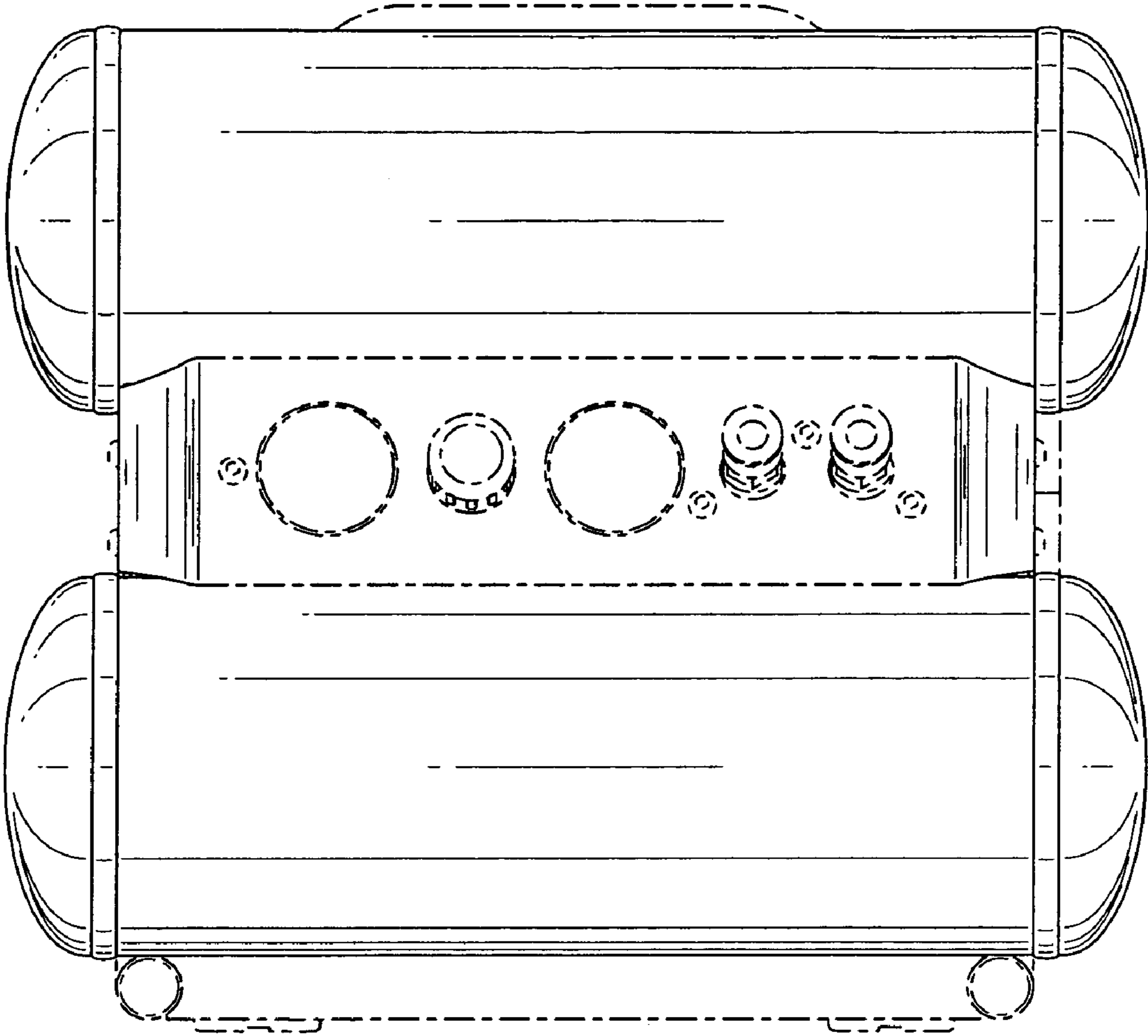


FIG. 2

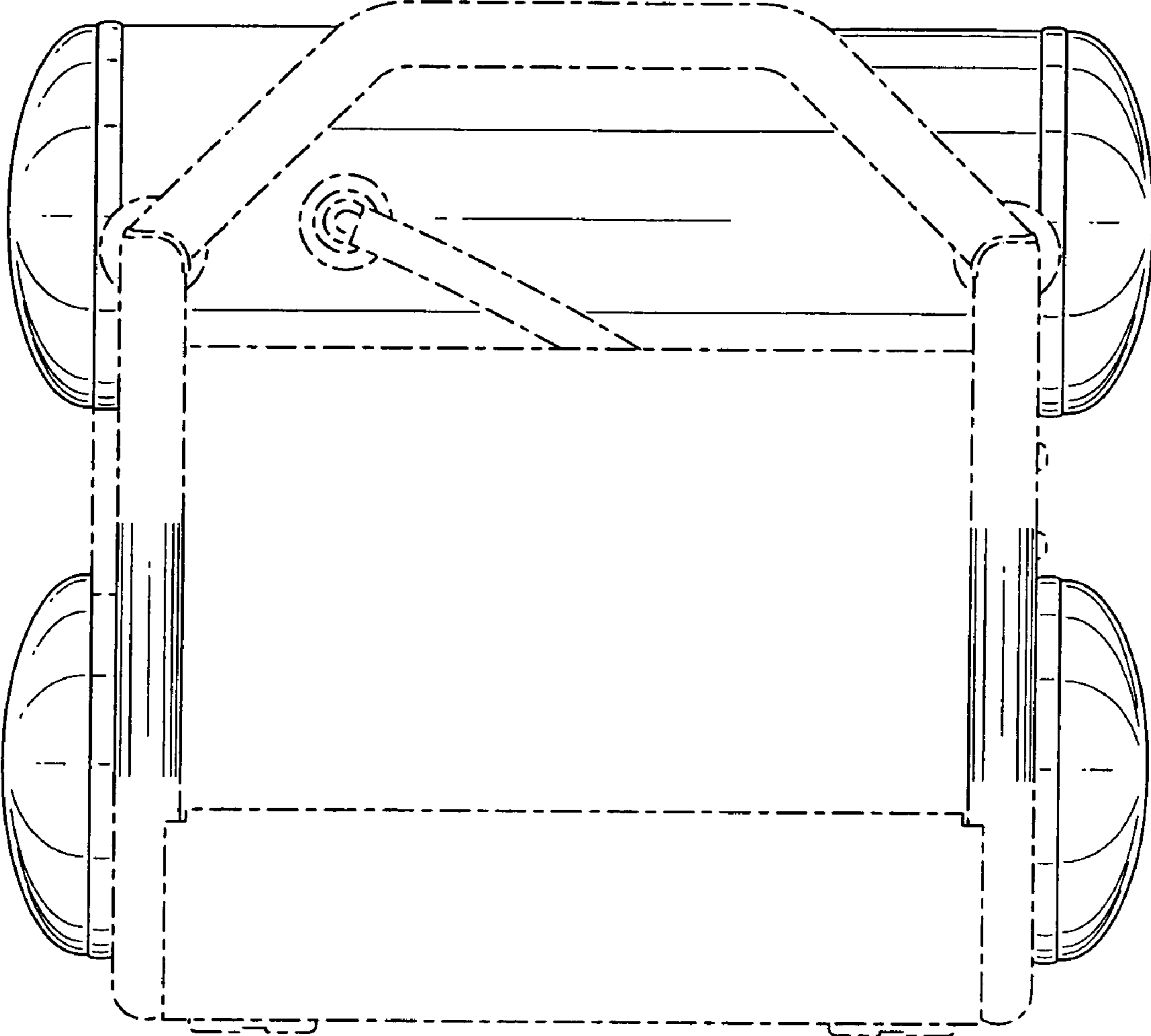


FIG. 3

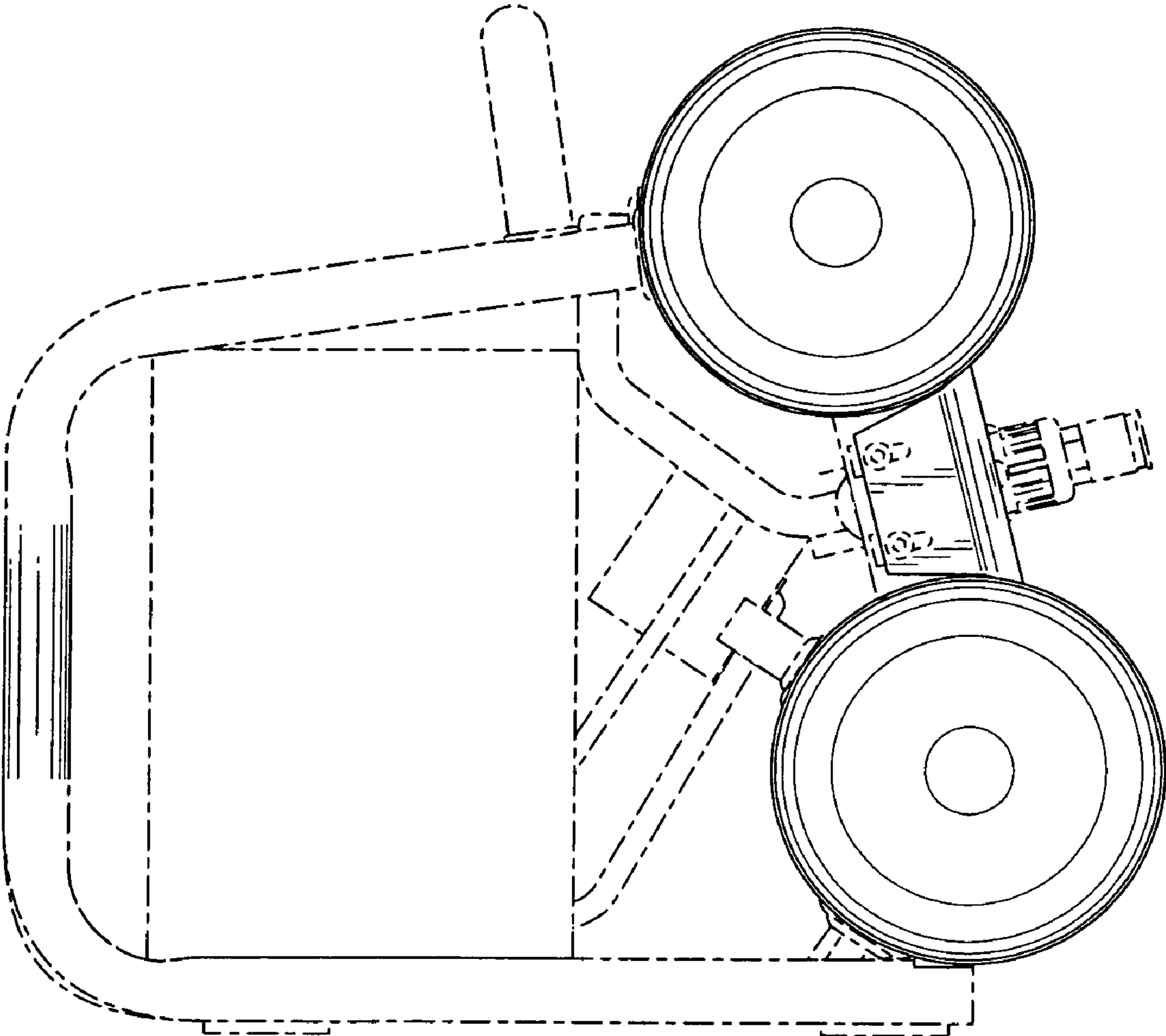


FIG. 4

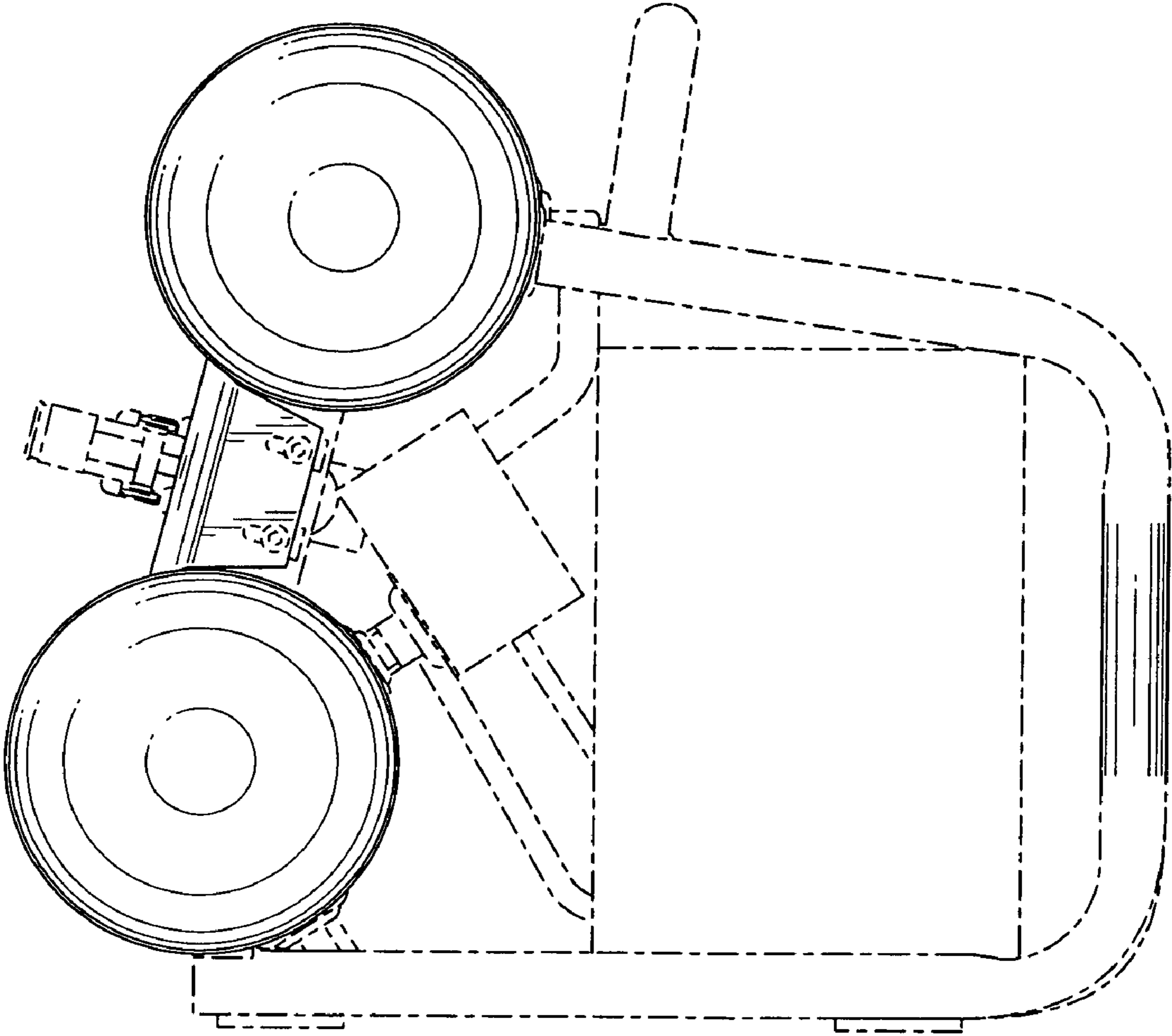


FIG. 5

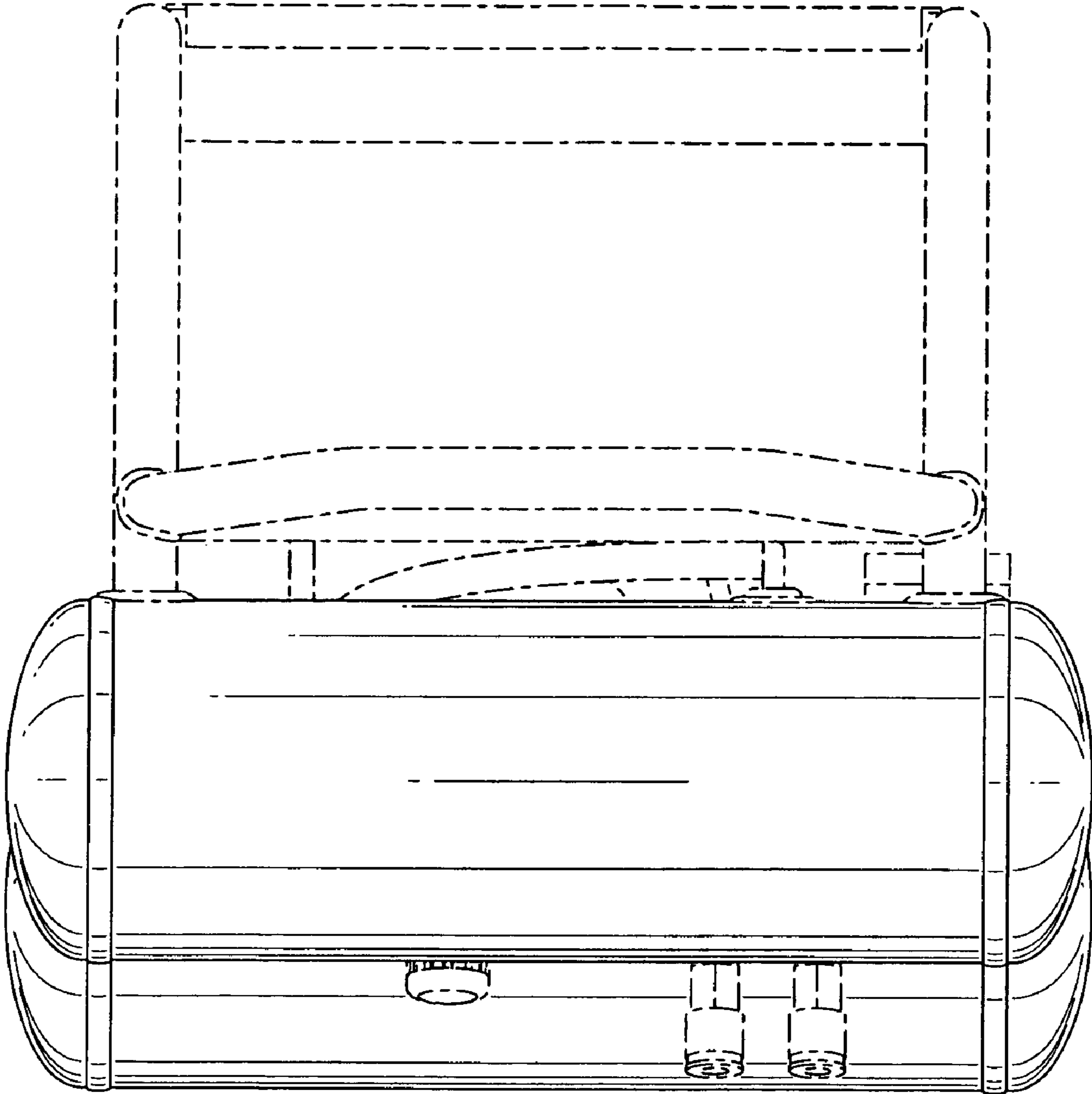


FIG. 6

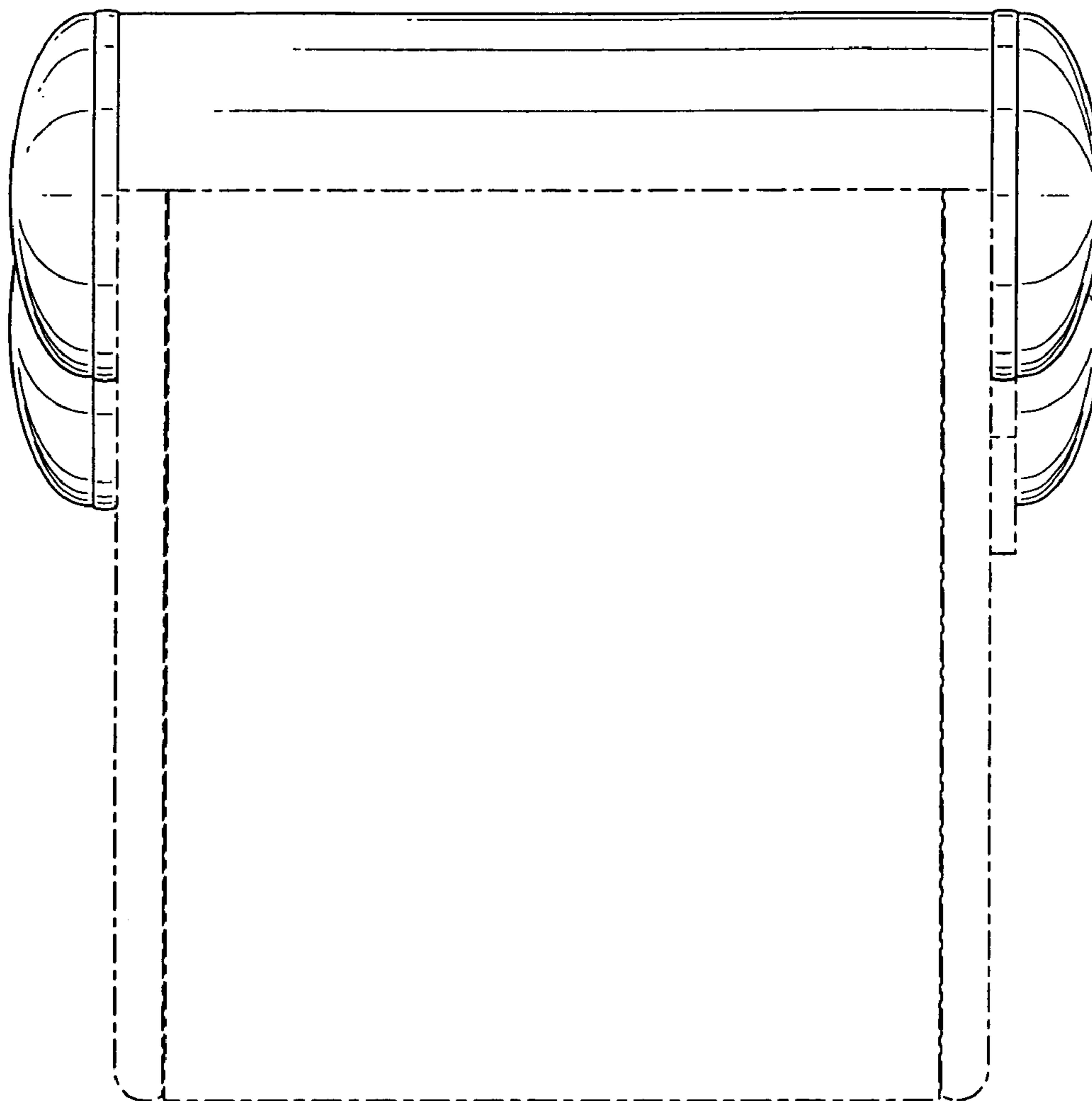


FIG. 7