



US00D556214S

(12) **United States Design Patent**  
**Fretwell**

(10) **Patent No.:** **US D556,214 S**

(45) **Date of Patent:** **\*\* Nov. 27, 2007**

(54) **COOLANT TANK COVER**

(76) **Inventor:** **Paul Fretwell**, 65 Myrtle Dr., Oroville,  
CA (US) 95966

(\*\*) **Term:** **14 Years**

(21) **Appl. No.:** **29/271,623**

(22) **Filed:** **Jan. 23, 2007**

(51) **LOC (8) Cl.** ..... **15-01**

(52) **U.S. Cl.** ..... **D15/5**

(58) **Field of Classification Search** ..... D15/1-5,  
D15/15-17; 123/41.07, 41.09, 198 E; 165/119;  
181/204; 440/77; D12/126, 317; D8/366,  
D8/371

See application file for complete search history.

(56) **References Cited**

**U.S. PATENT DOCUMENTS**

D243,312 S *	2/1977	Chaney	.....	D32/46
D396,478 S *	7/1998	Hubbach	.....	D15/5
6,024,616 A *	2/2000	Takayanagi	.....	440/77
D428,902 S *	8/2000	Smoluch	.....	D15/140
D441,769 S *	5/2001	Surrige	.....	D15/17
D445,019 S *	7/2001	Vitetta	.....	D8/366
6,474,290 B1 *	11/2002	Coffey et al.	.....	123/198 E
D485,216 S *	1/2004	Yamamoto et al.	.....	D12/126
D490,818 S *	6/2004	Hieke	.....	D15/5

6,805,219 B2 *	10/2004	Yasuda et al.	.....	181/204
D510,720 S *	10/2005	Kruse	.....	D12/317
D515,985 S *	2/2006	Kishi et al.	.....	D12/126
D517,568 S *	3/2006	Pfeiffer	.....	D15/5
D537,450 S *	2/2007	Fretwell	.....	D15/4

\* cited by examiner

*Primary Examiner*—Jeffrey Asch

*Assistant Examiner*—Maurice Stevens

(74) *Attorney, Agent, or Firm*—Gordon & Rees, LLP

(57) **CLAIM**

The ornamental design for a coolant tank cover, as shown and described.

**DESCRIPTION**

FIG. 1 is a rear perspective view of the cover.

FIG. 2 is a top plan view of the cover.

FIG. 3 is a bottom plan view of the cover.

FIG. 4 is a right side view of the cover.

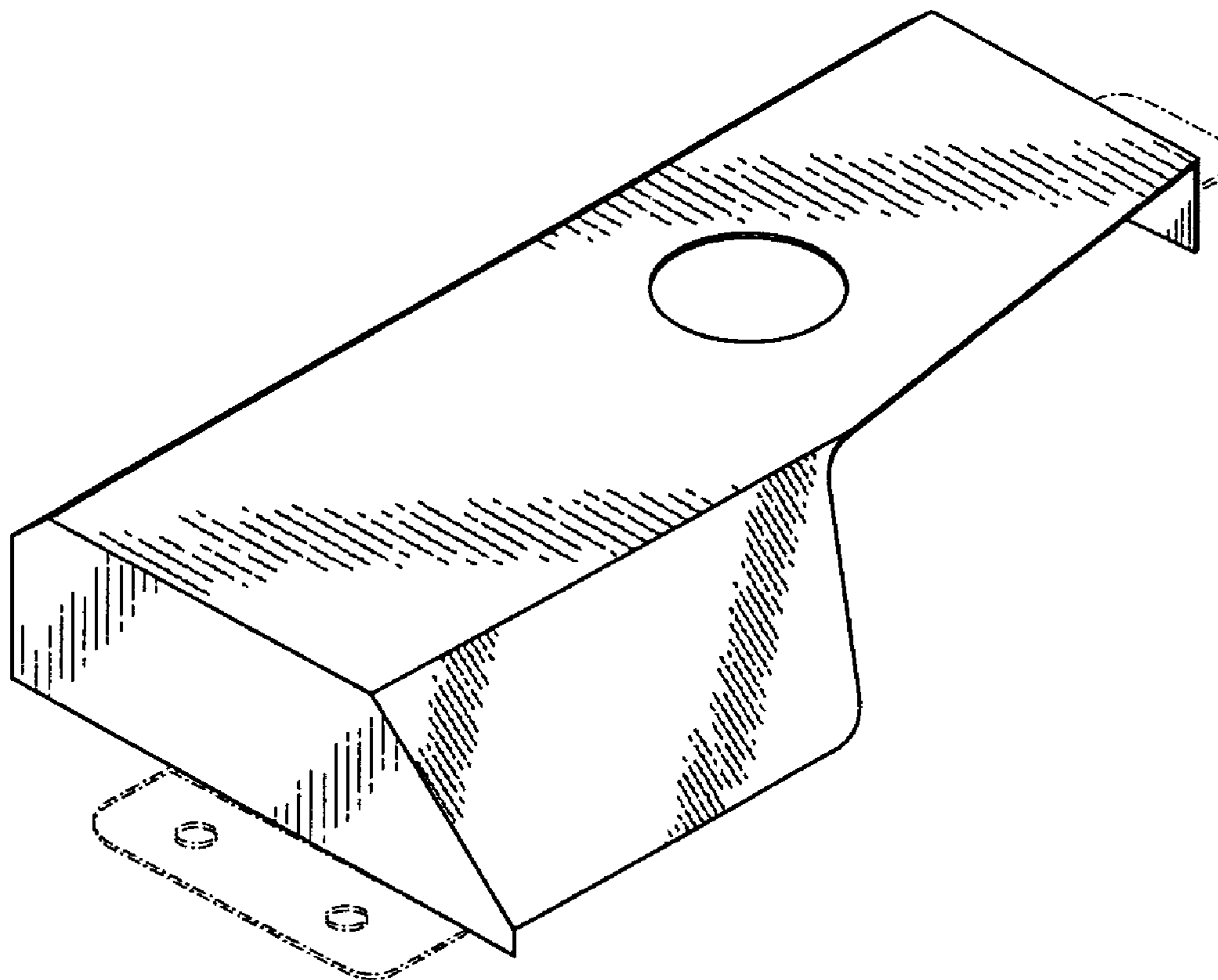
FIG. 5 is a left side view of the cover.

FIG. 6 is a front elevation of the cover; and,

FIG. 7 is a rear elevation of the cover.

The broken line showing is for illustrative purposes only and forms no part of the claimed design.

**1 Claim, 4 Drawing Sheets**



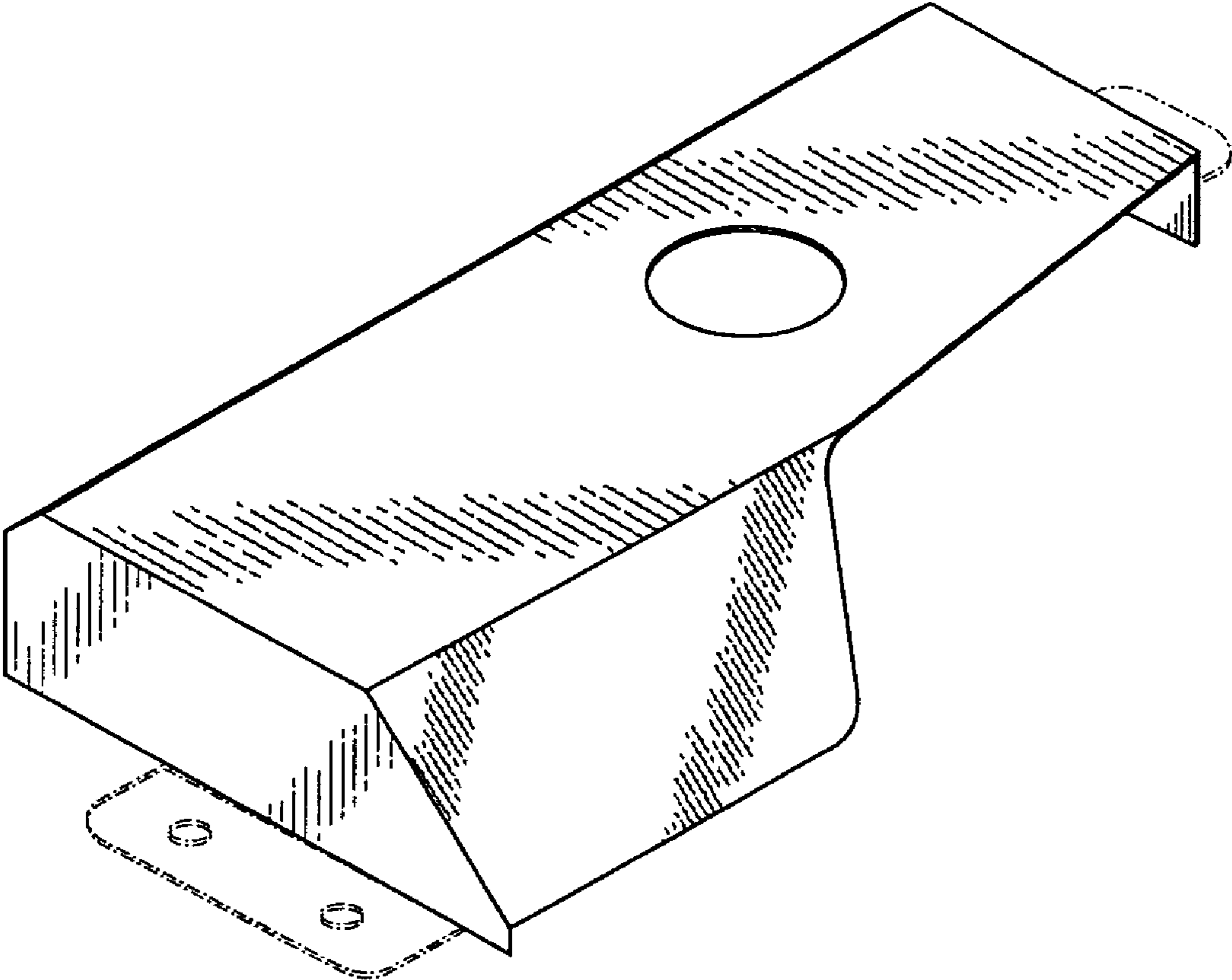


FIG. 1

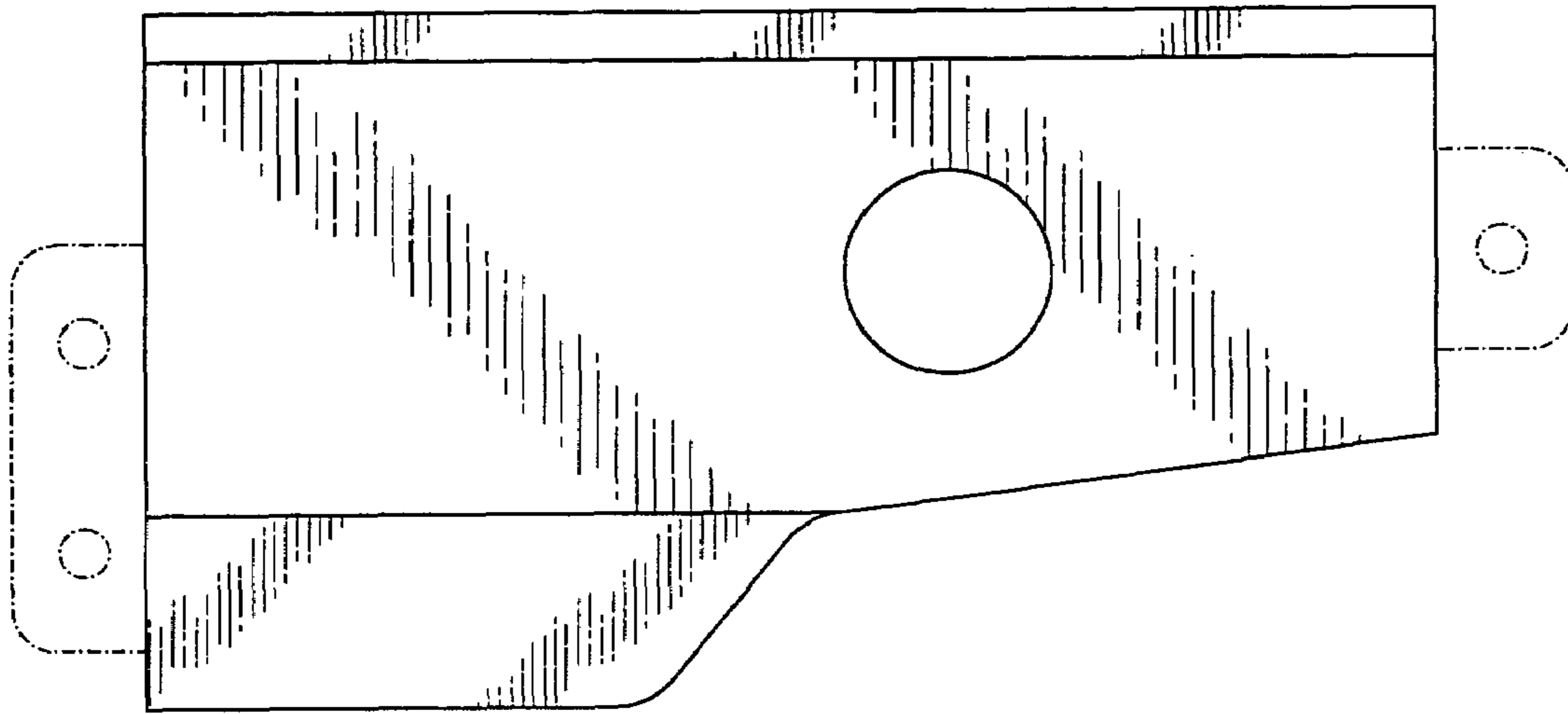


FIG. 2

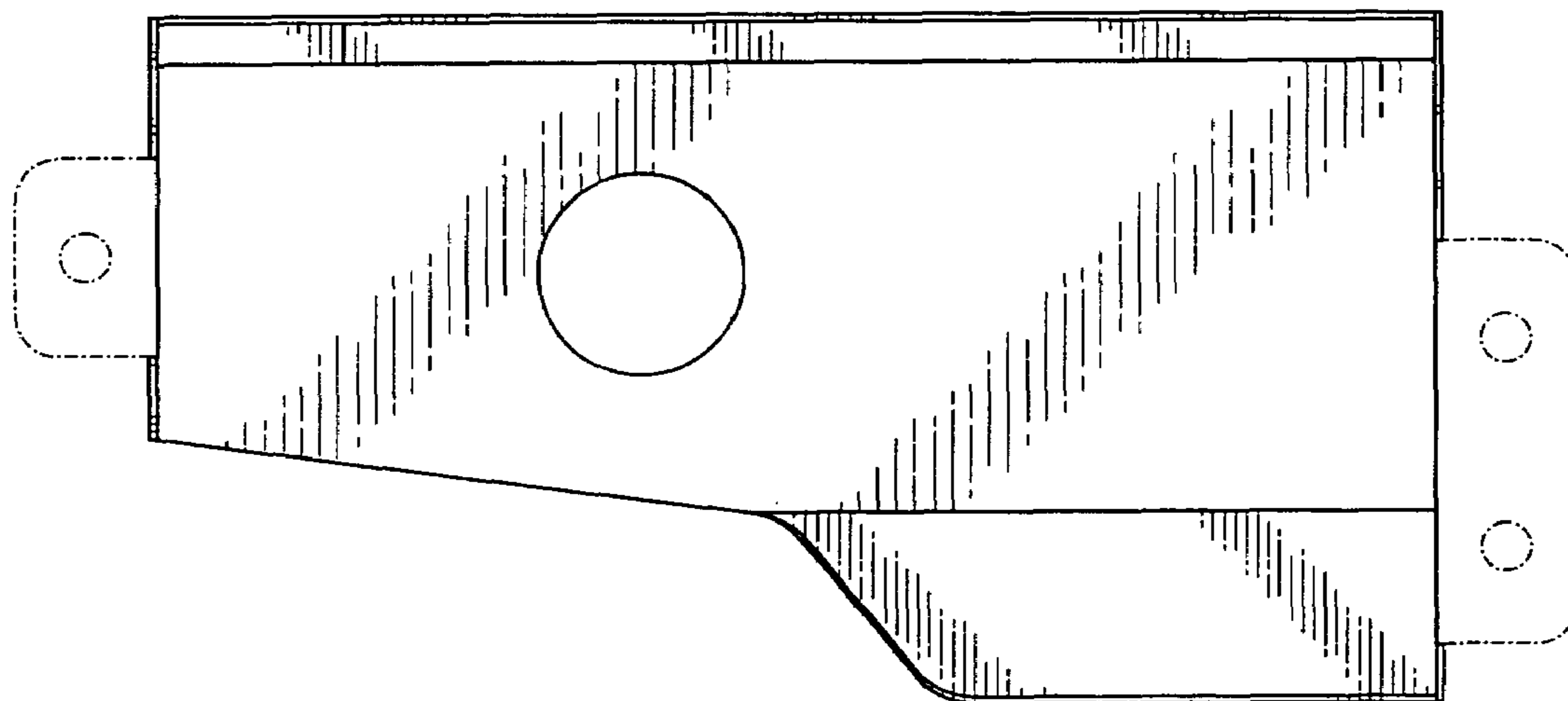


FIG. 3

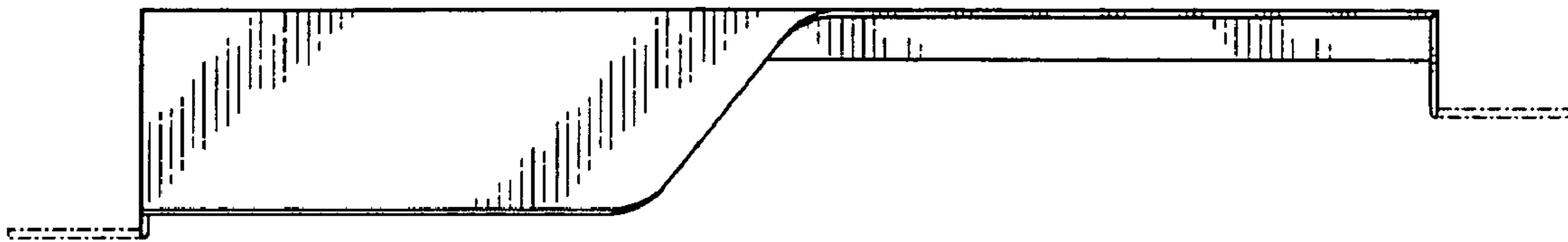


FIG. 4

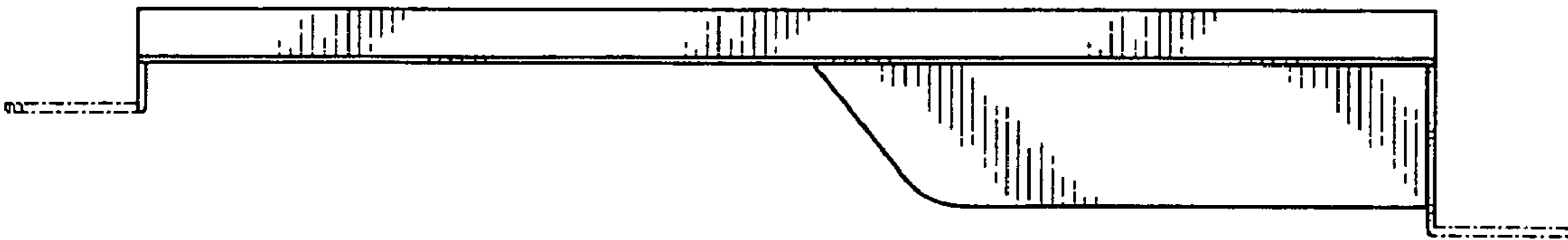


FIG. 5

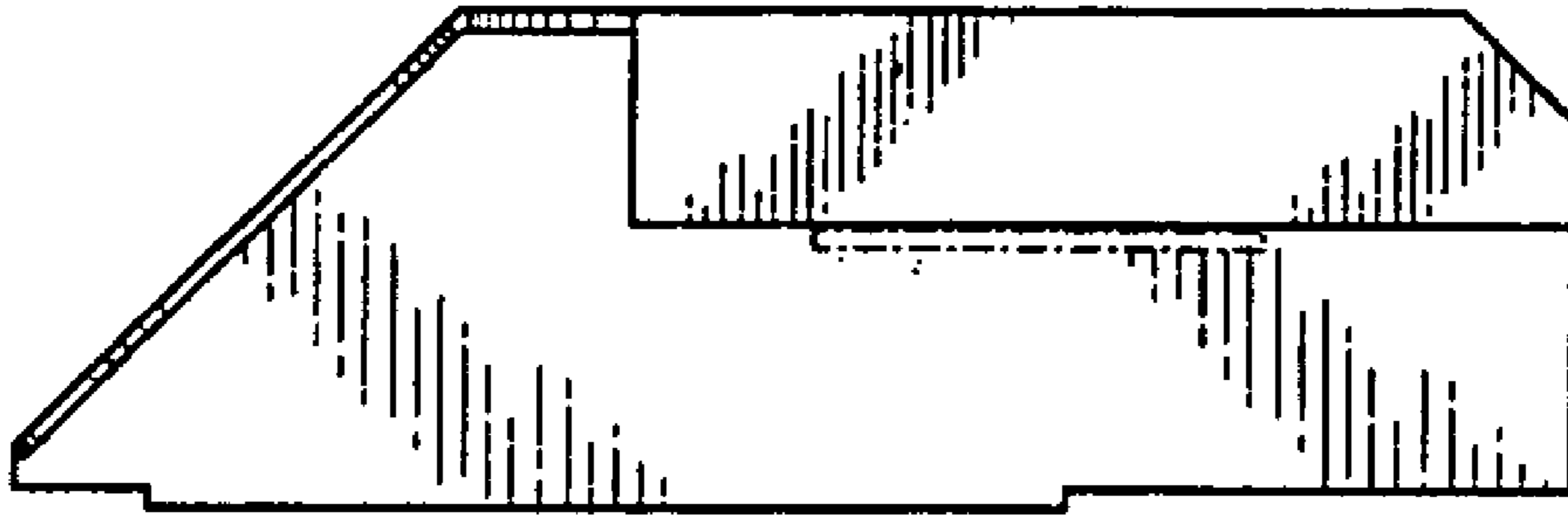


FIG. 6

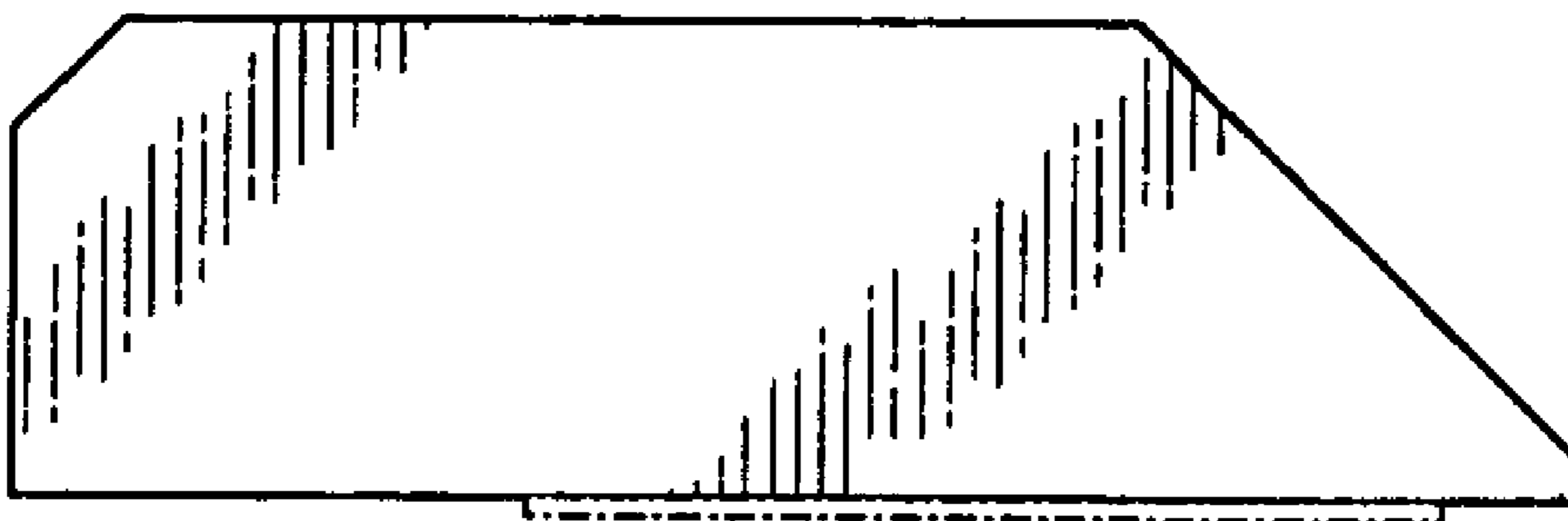


FIG. 7