



US00D556212S

(12) **United States Design Patent**
Hussaini et al.

(10) **Patent No.:** **US D556,212 S**

(45) **Date of Patent:** **** Nov. 27, 2007**

(54) **AUDIO ACCESSORY FOR PORTABLE DIGITAL MUSIC PLAYER**

7,211,907 B2 * 5/2007 Kephart 307/10.7
7,242,588 B2 * 7/2007 Kitsopoulos 361/729
7,247,038 B2 * 7/2007 Smadi et al. 439/181

(75) Inventors: **Saied Hussaini**, Miami, FL (US); **Marc Iacovelli**, Miami, FL (US)

* cited by examiner

(73) Assignee: **I-Tec Electronics, Inc.**, Miami Gardens, FL (US)

Primary Examiner—Prabhakar Deshmukh

(74) *Attorney, Agent, or Firm*—Berenato, White & Stavish

(**) Term: **14 Years**

(57) **CLAIM**

(21) Appl. No.: **29/272,943**

The ornamental design for a audio accessory for portable digital music player, as shown and described.

(22) Filed: **Feb. 22, 2007**

DESCRIPTION

(51) **LOC (8) Cl.** **14-03**

(52) **U.S. Cl.** **D14/496; D14/156**

(58) **Field of Classification Search** D14/496,
D14/156, 135, 136, 157, 160, 167, 168; 369/75.11,
369/83, 75.21, 76, 6-12; 360/131, 137, 39;
386/104-106; 345/156, 166, 1.1, 1.2, 903,
345/905

See application file for complete search history.

FIG. 1 is a perspective view of an audio accessory for portable digital music player showing our new design;

FIG. 2 is a front elevational view thereof;

FIG. 3 is a rear elevational view thereof;

FIG. 4 is a right side elevational view thereof;

FIG. 5 is a left side elevational view thereof;

FIG. 6 is a top plan view thereof;

FIG. 7 is a bottom plan view thereof;

FIG. 8 is a left side elevational view thereof, shown in closed position;

FIG. 9 is another left side elevational view thereof, with upper portion shown in an extended position; and,

FIG. 10 is another left side elevational view thereof, shown in another alternate position.

The broken lines in FIG. 9 are for illustrative purpose only and form no part of the claimed design.

(56) **References Cited**

U.S. PATENT DOCUMENTS

D435,527 S *	12/2000	Iino et al.	D14/136
D442,570 S *	5/2001	Arjomand et al.	D14/156
D460,748 S *	7/2002	Eguchi	D14/192
D461,787 S *	8/2002	Brown	D14/156
6,769,603 B2 *	8/2004	Nagai et al.	235/375
6,809,723 B2 *	10/2004	Davis	345/166
6,882,326 B2 *	4/2005	Hirayama et al.	345/1.1
7,164,906 B2 *	1/2007	Herberger et al.	455/414.1
7,176,372 B2 *	2/2007	Georges	84/609
D540,818 S *	4/2007	Reawsanguanwong et al. .	D14/496

1 Claim, 5 Drawing Sheets

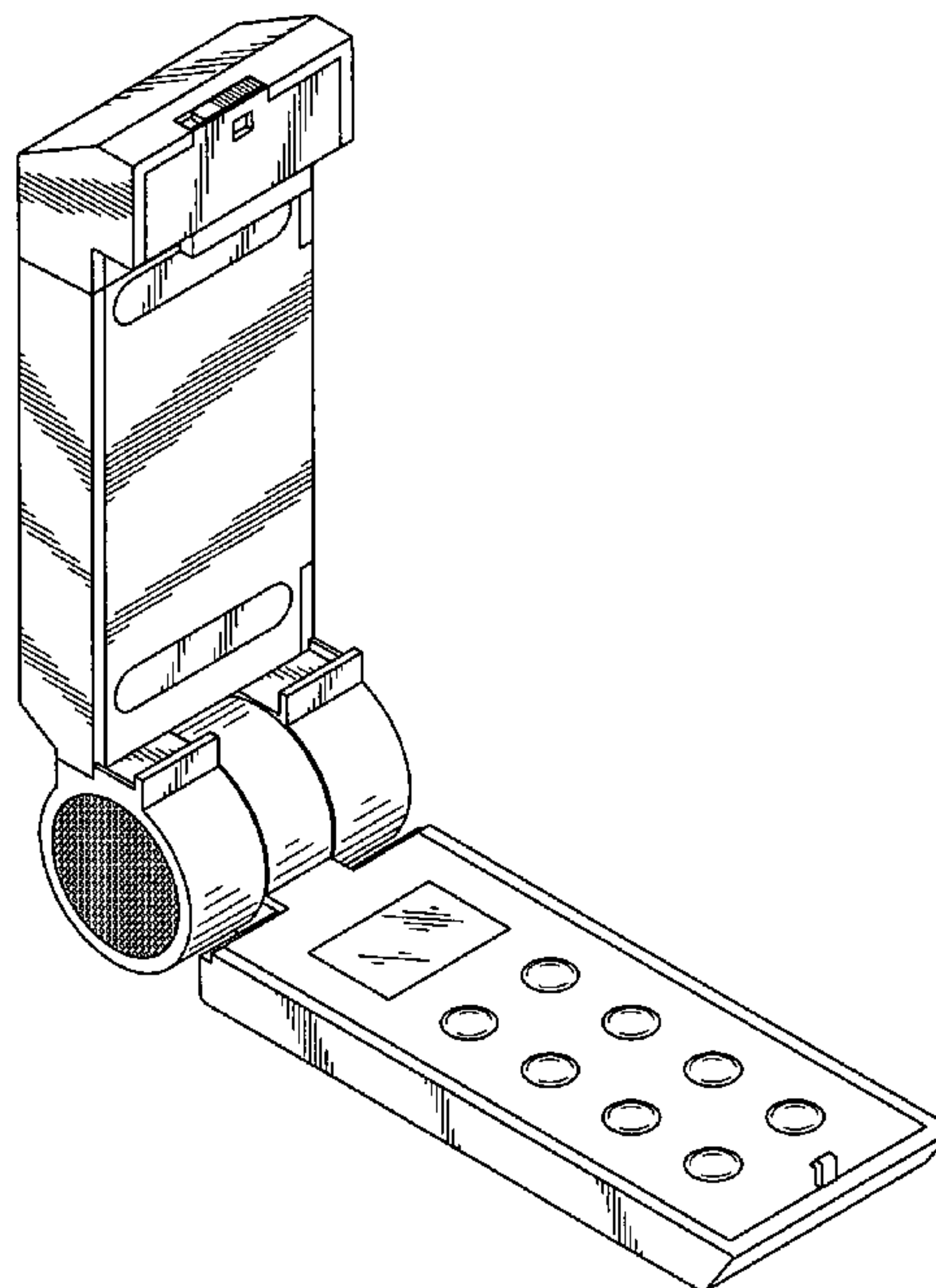


Fig. 1

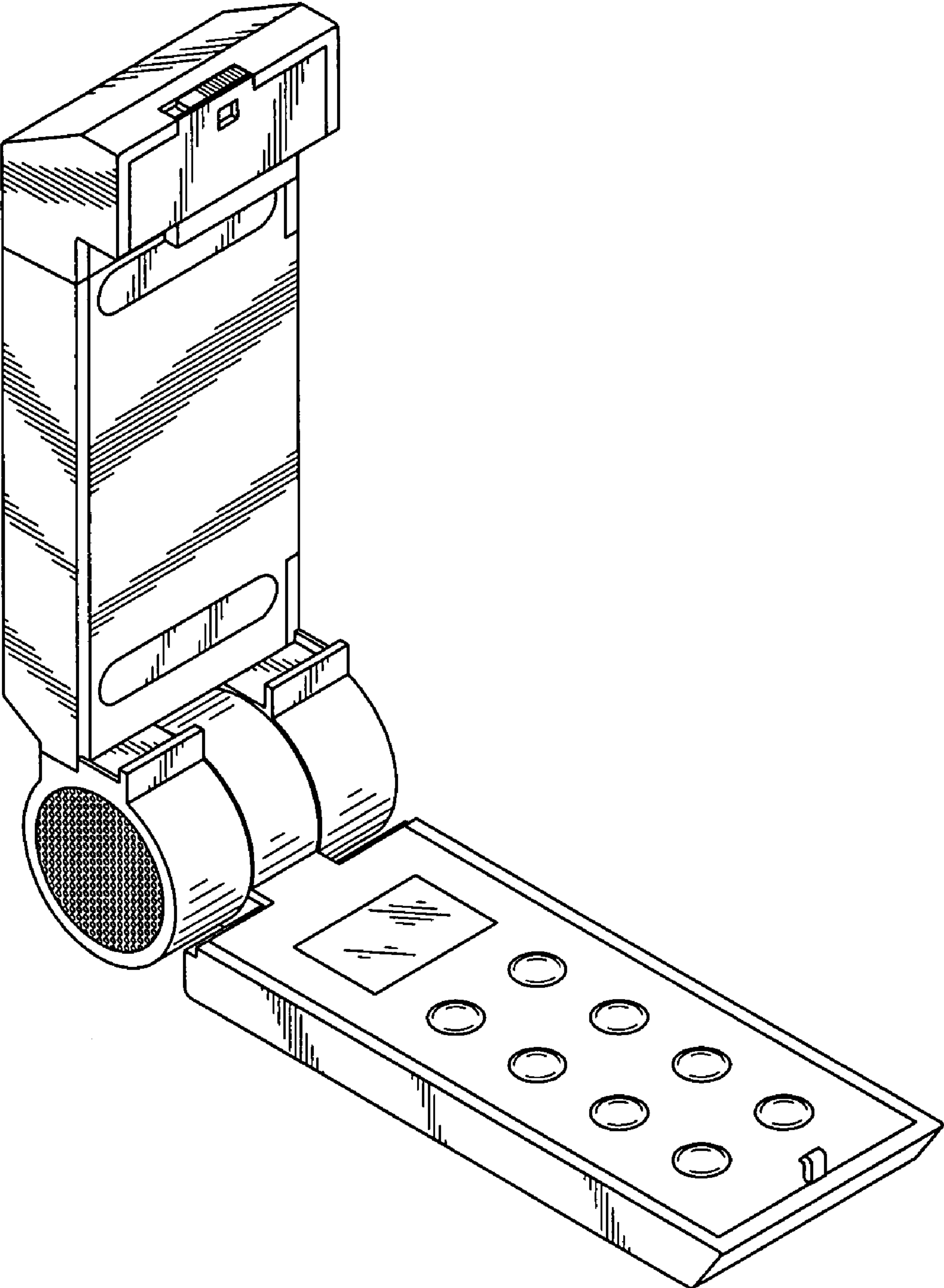


Fig. 2

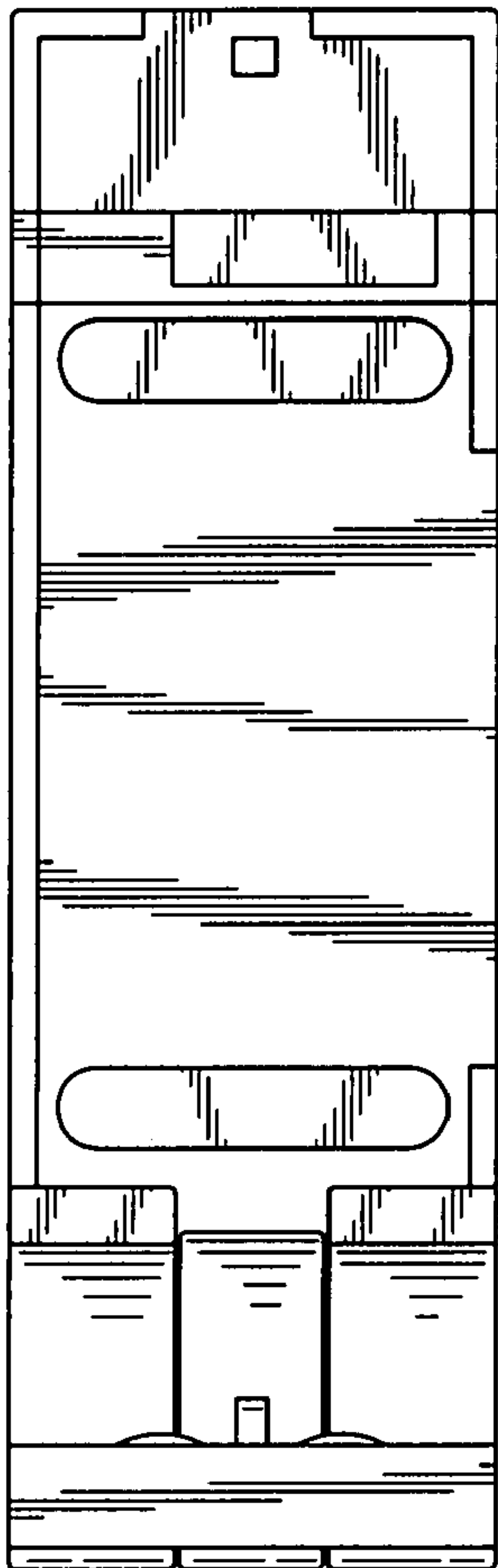


Fig. 3

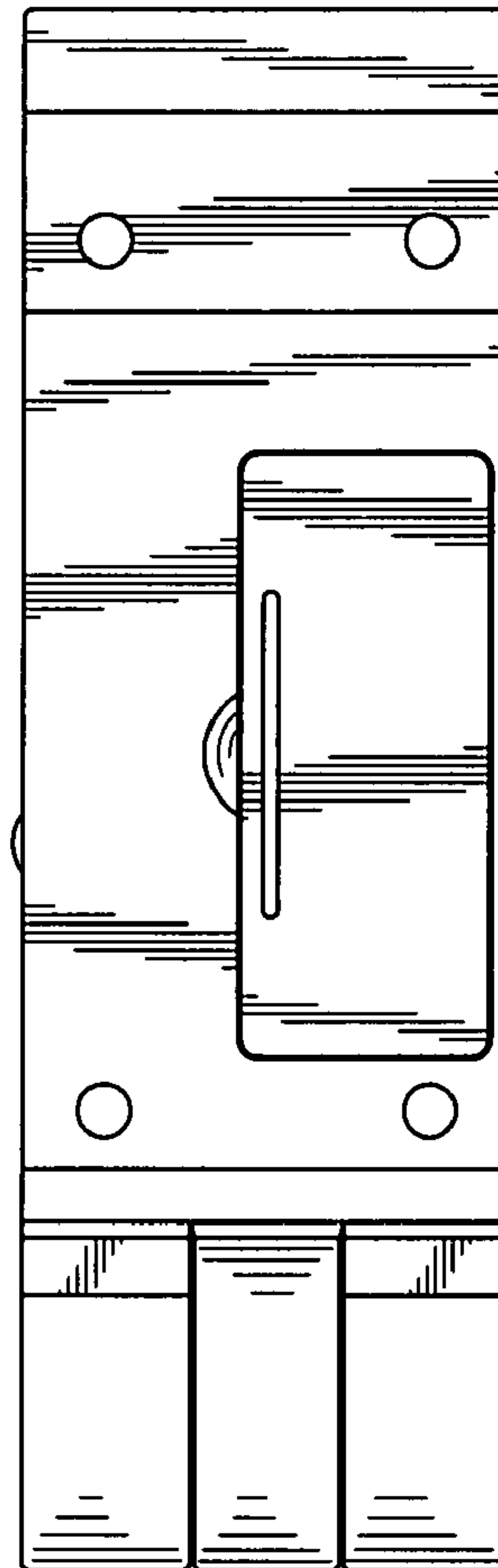


Fig. 5

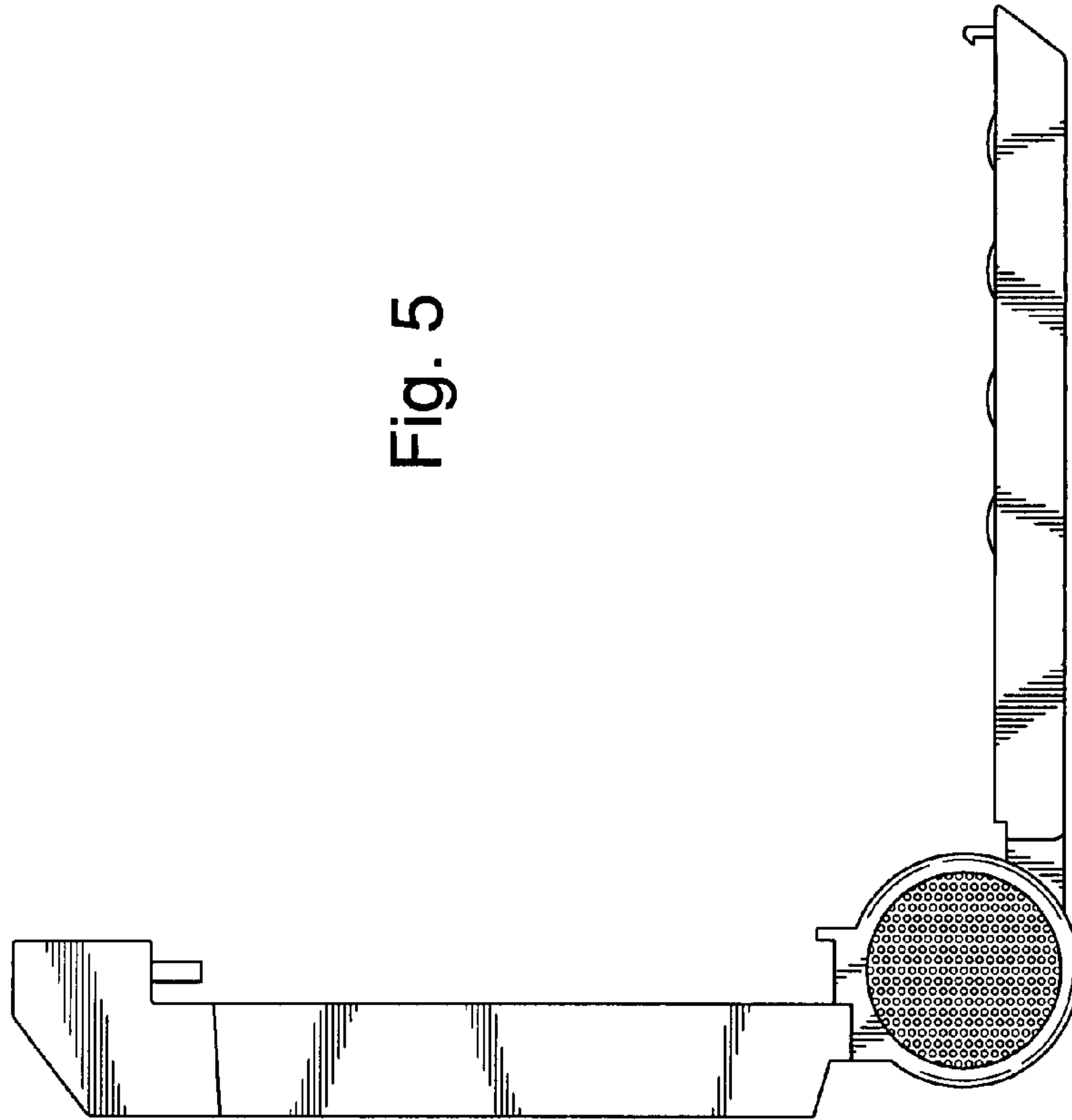


Fig. 4

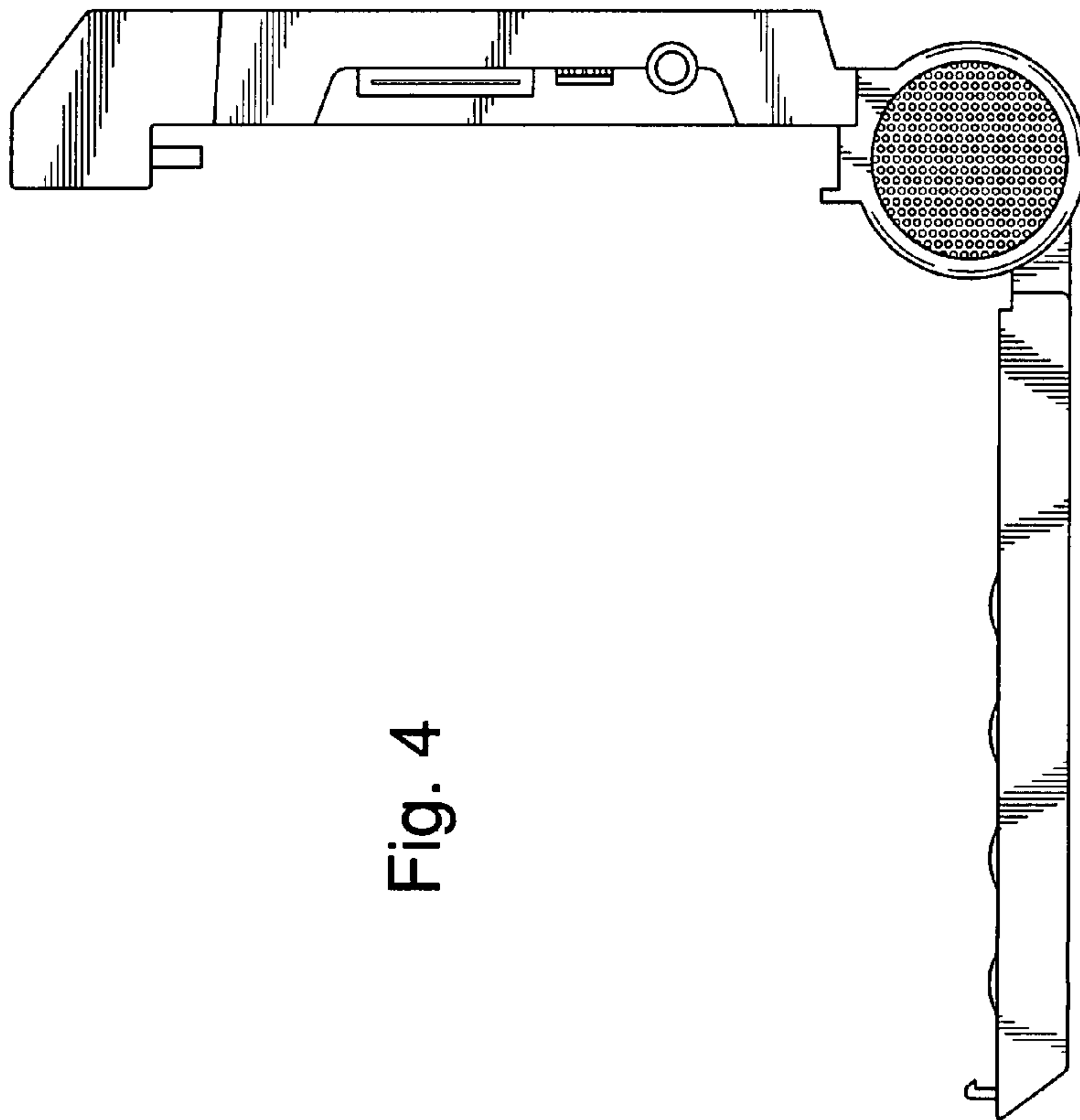


Fig. 6

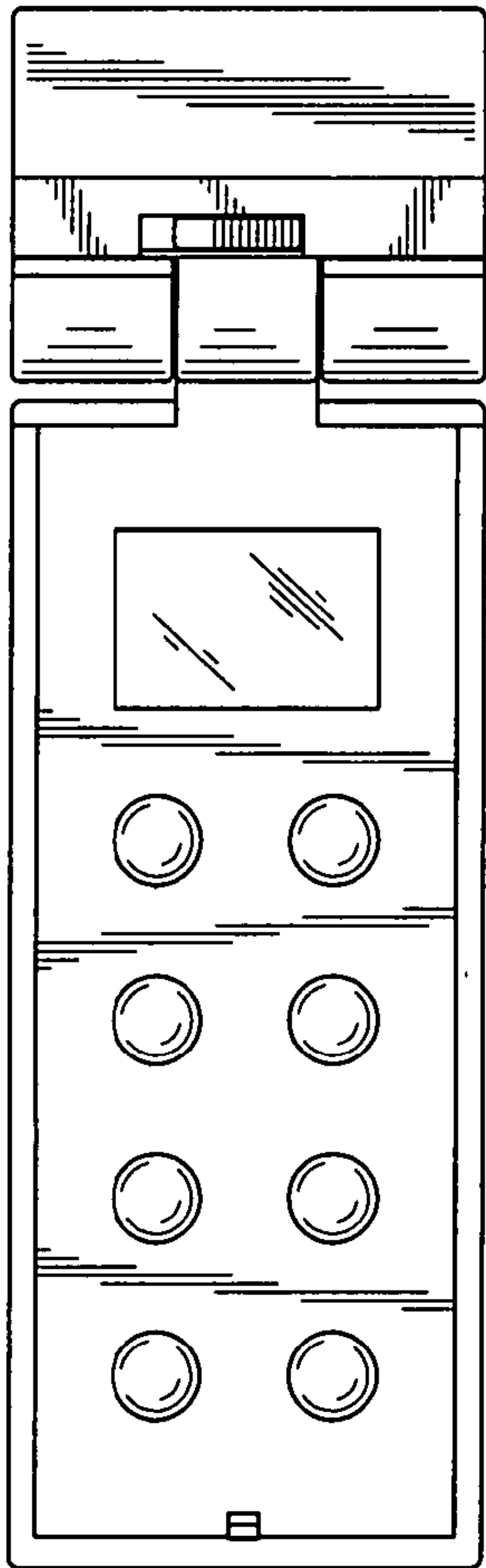


Fig. 7

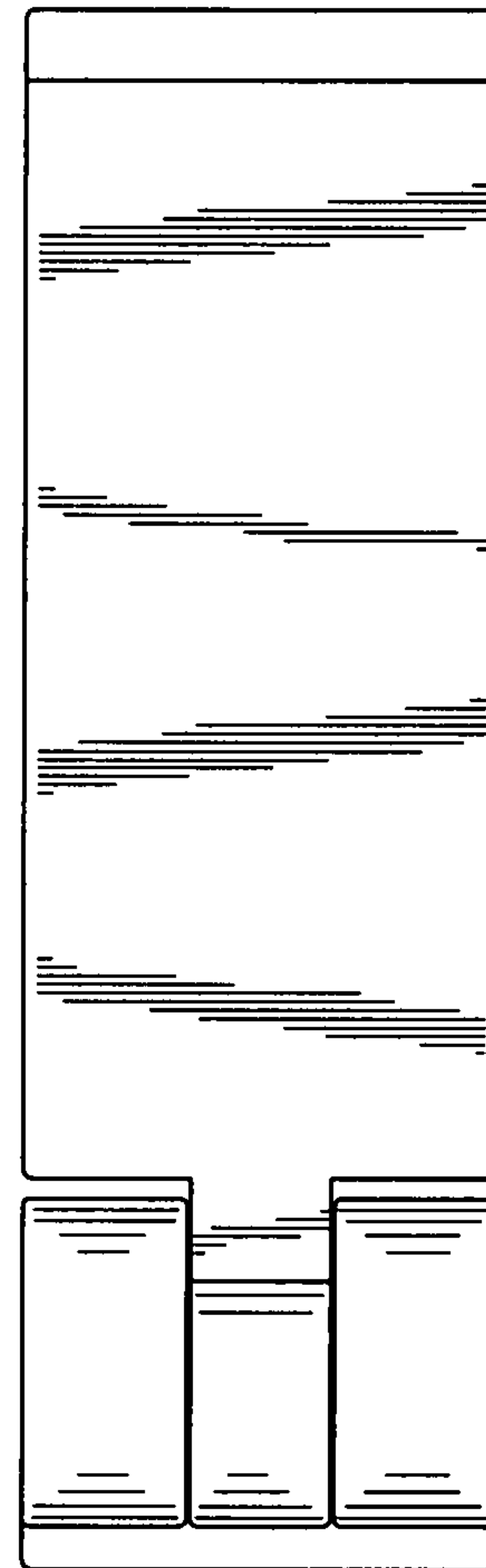


Fig. 8

