



US00D556210S

(12) **United States Design Patent**  
**Choi et al.**

(10) **Patent No.:** **US D556,210 S**

(45) **Date of Patent:** **\*\* Nov. 27, 2007**

(54) **MP3 PLAYER**

(75) Inventors: **James Choi**, Seoul (KR); **Clive Goodwin**, London (GB)

(73) Assignee: **Samsung Electronics Co., Ltd.**, Suwon-Si (KR)

(\*\*) Term: **14 Years**

(21) Appl. No.: **29/255,078**

(22) Filed: **Mar. 6, 2006**

(30) **Foreign Application Priority Data**

Dec. 16, 2005 (KR) ..... 30-2005-0042681

(51) **LOC (8) Cl.** ..... **14-03**

(52) **U.S. Cl.** ..... **D14/496**

(58) **Field of Classification Search** ..... D14/496,  
D14/401, 435, 474, 483, 217, 137, 138, 160,  
D14/168; 345/156, 169, 173-179, 905; 715/727-729,  
715/864; 455/11.1, 7, 73, 344-347, 93, 95;  
370/342-344; 369/1, 2, 6, 12; 463/43-47;  
273/148 B

See application file for complete search history.

(56) **References Cited**

**U.S. PATENT DOCUMENTS**

5,349,575 A \* 9/1994 Park ..... 369/1  
5,825,408 A \* 10/1998 Yuyama et al. .... 348/14.01

6,850,256 B2 \* 2/2005 Crow et al. .... 715/798  
D504,409 S \* 4/2005 Kim ..... D14/156  
D504,442 S \* 4/2005 Kim ..... D14/496  
6,966,651 B2 \* 11/2005 Johnson ..... 353/15  
D512,404 S \* 12/2005 Yang ..... D14/156  
D521,023 S \* 5/2006 Kim et al. .... D14/496  
7,052,136 B2 \* 5/2006 Johnson ..... 353/15  
D527,018 S \* 8/2006 Christianson ..... D14/496  
D532,425 S \* 11/2006 Kim ..... D14/496

\* cited by examiner

*Primary Examiner*—Prabhakar Deshmukh

(74) *Attorney, Agent, or Firm*—Staas & Halsey LLP

(57) **CLAIM**

The ornamental design for an MP3 player, as shown and described.

**DESCRIPTION**

FIG. 1 is a perspective view of an MP3 player showing our new design;

FIG. 2 is a front elevational view thereof;

FIG. 3 is a rear elevational view thereof;

FIG. 4 is a left side elevational view thereof;

FIG. 5 is a right side elevational view thereof;

FIG. 6 is a top plan view thereof; and,

FIG. 7 is a bottom plan view thereof.

**1 Claim, 7 Drawing Sheets**

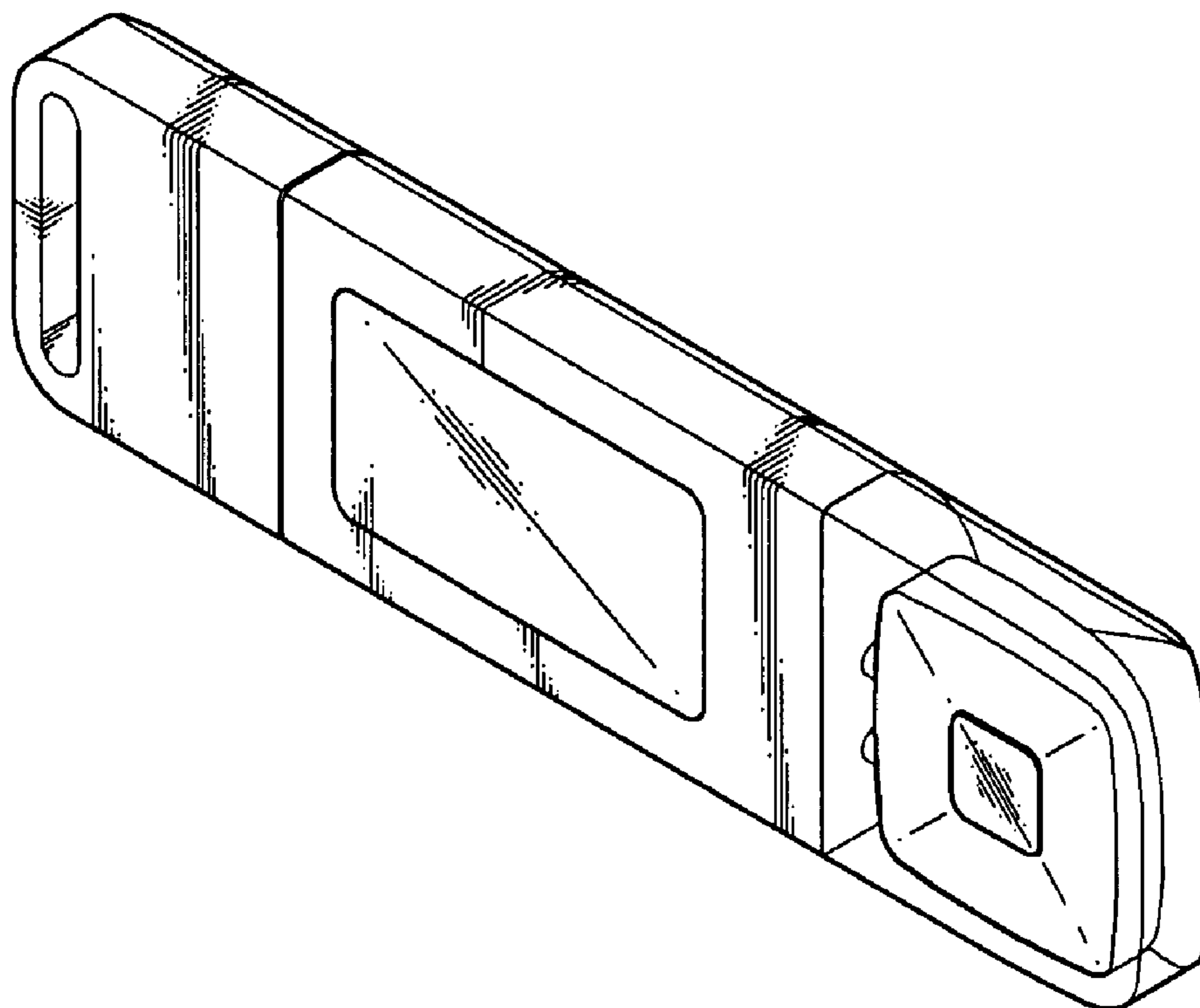


FIG.1

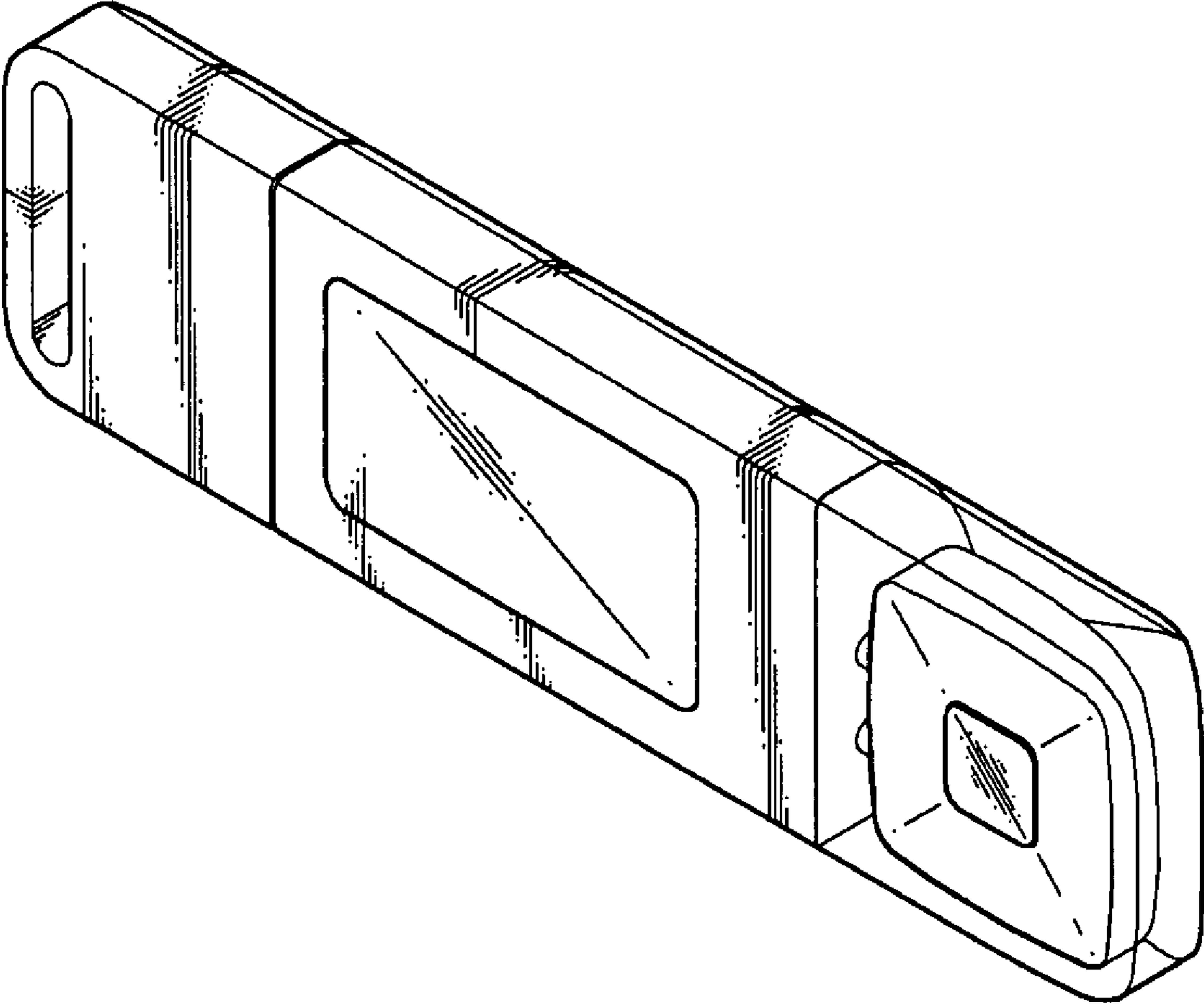


FIG.2

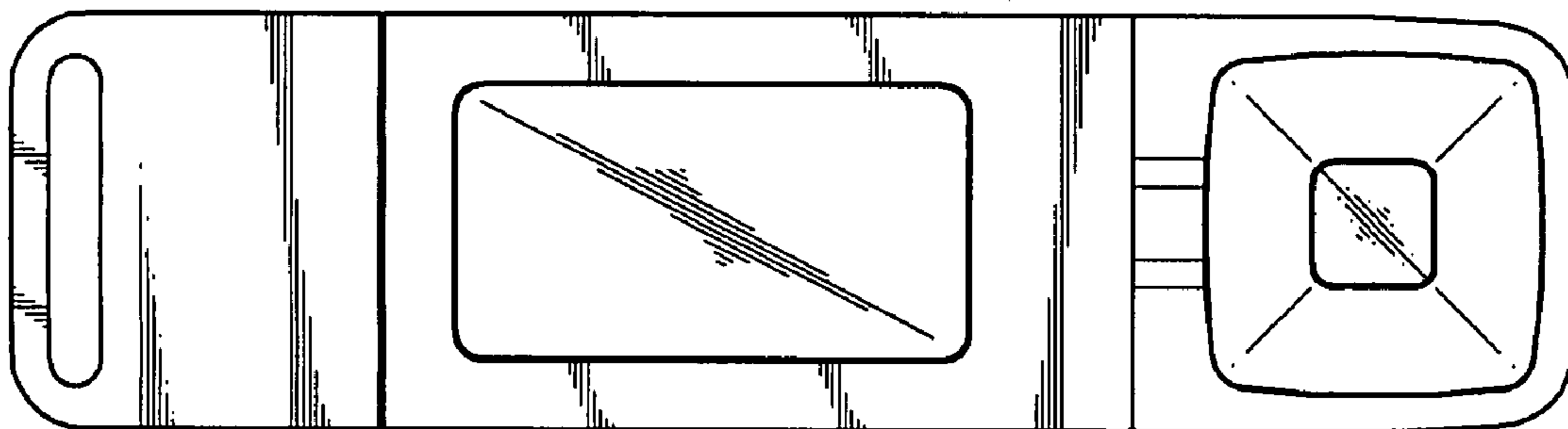
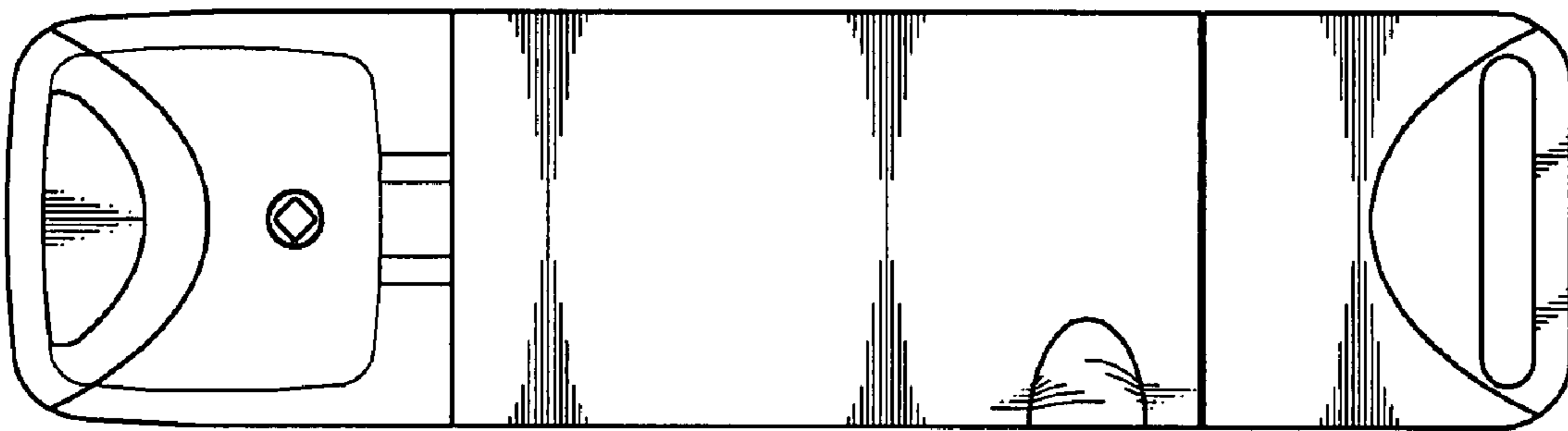
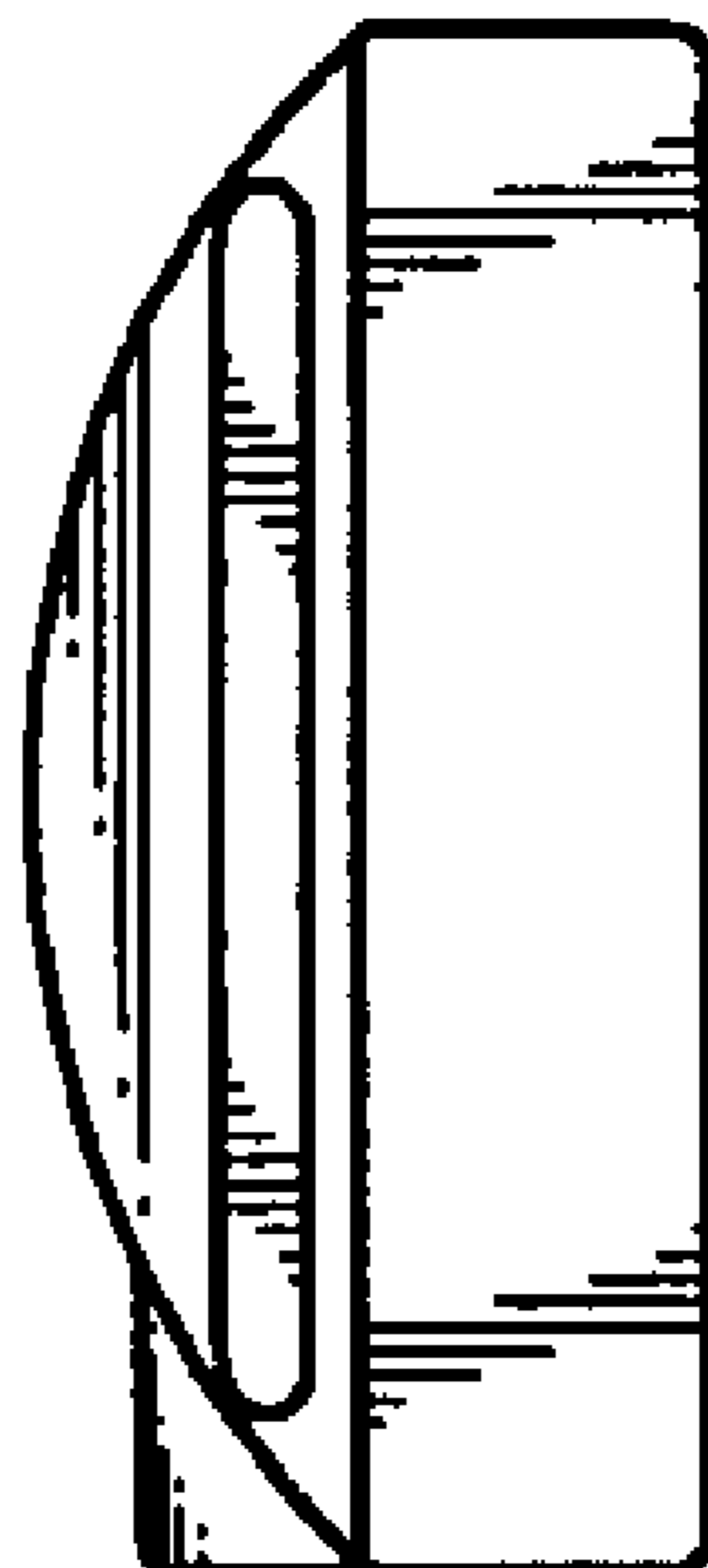


FIG.3



# FIG. 4



# FIG. 5

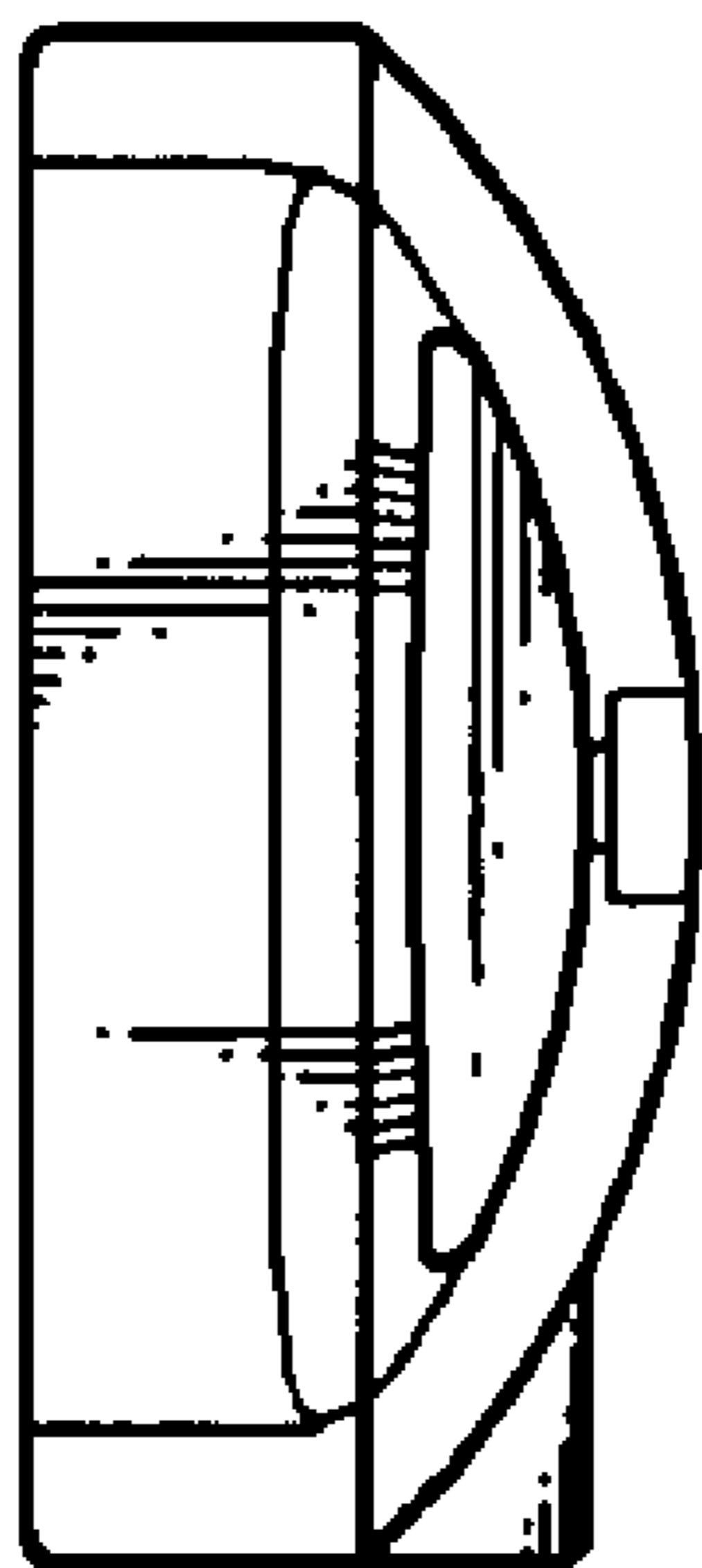


FIG.6

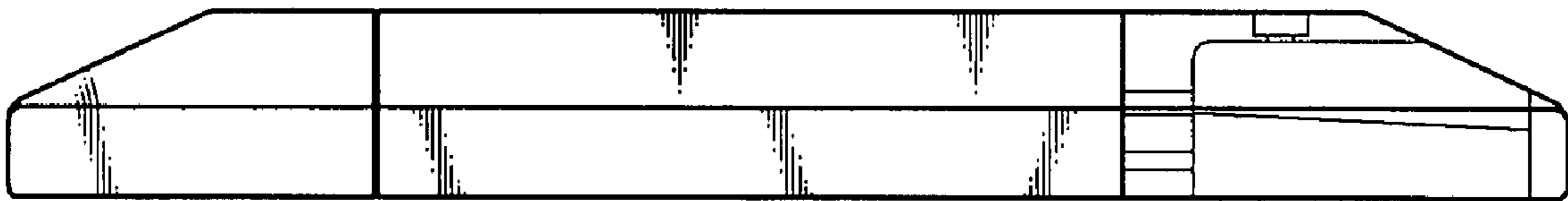


FIG.7

