



US00D556209S

(12) **United States Design Patent** (10) **Patent No.:** **US D556,209 S**
Brelo (45) **Date of Patent:** **** Nov. 27, 2007**

(54) **HANDSET MUSIC DEVICE**
(75) Inventor: **Nora Brelo**, Oulu (FI)
(73) Assignee: **Nokia Corporation**, Espoo (FI)
(**) Term: **14 Years**
(21) Appl. No.: **29/246,200**
(22) Filed: **Mar. 20, 2006**

(30) **Foreign Application Priority Data**
Sep. 21, 2005 (FI) M20050144
(51) **LOC (8) Cl.** **14-03**
(52) **U.S. Cl.** **D14/496; D14/156**
(58) **Field of Classification Search** D14/496,
D14/401, 435, 474, 483, 217, 137, 138, 160,
D14/168; 345/156, 169, 173-179, 905; 715/727-729,
715/864; 455/11.1, 7, 73, 344-347, 93, 95;
370/342-344; 369/1, 2, 6, 12; 463/43-47;
273/148 B
See application file for complete search history.

(56) **References Cited**
U.S. PATENT DOCUMENTS
4,240,218 A * 12/1980 Kotzin 40/407
6,143,972 A * 11/2000 Ladyjonsky 84/615
6,795,377 B2 * 9/2004 Gorden 368/12
D527,018 S * 8/2006 Christianson D14/496
D531,190 S * 10/2006 Lee et al. D14/496
D533,863 S * 12/2006 Yamaji D14/167
7,145,070 B2 * 12/2006 Barry 84/723
D535,308 S * 1/2007 Andre et al. D14/496
D535,641 S * 1/2007 Yang D14/167
D536,703 S * 2/2007 Kim D14/496
D538,297 S * 3/2007 Ching D14/496
7,190,351 B1 * 3/2007 Goren 345/173

FOREIGN PATENT DOCUMENTS
WO DM/066609 6/2005
* cited by examiner

Primary Examiner—Prabhakar Deshmukh
(74) *Attorney, Agent, or Firm*—Banner & Witcoff, Ltd

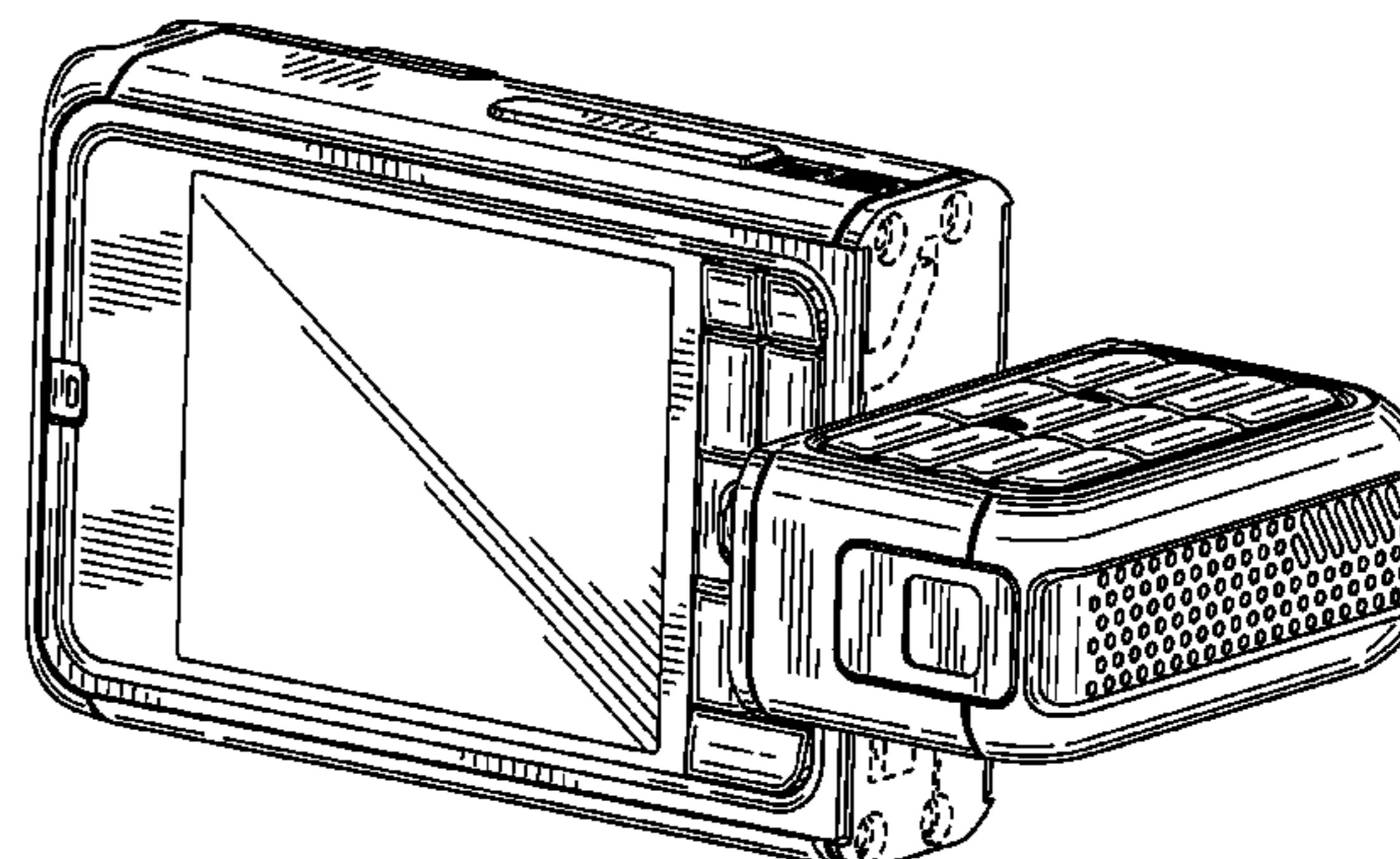
(57) **CLAIM**

The ornamental design for a handset/music device, as shown and described.

DESCRIPTION

FIG. 1 is a bottom plan view of a handset/music device showing my new design;
FIG. 2 is a right side view thereof;
FIG. 3 is a front view thereof;
FIG. 4 is a left side view thereof;
FIG. 5 is a top plan view thereof;
FIG. 6 is a rear view thereof;
FIG. 7 is a perspective front view thereof;
FIG. 8 is a perspective rear view thereof;
FIG. 9 is a perspective front view of the handset/music device of FIGS. 1-8 showing the handset/music device in a first in-use position;
FIG. 10 is a perspective front view of the handset/music device of FIGS. 1-8 showing the handset/music device in a second in-use position;
FIG. 11 is a perspective front view of the handset/music device of FIGS. 1-8 showing the handset/music device in a third in-use position; and,
FIG. 12 is a perspective rear view of the handset/music device of FIGS. 1-8 showing the handset/music device in the third in-use open position.
The broken line showing of various regions in the FIGS. 10-12 is for illustrative purposes only and form no part of the claimed design.

1 Claim, 7 Drawing Sheets



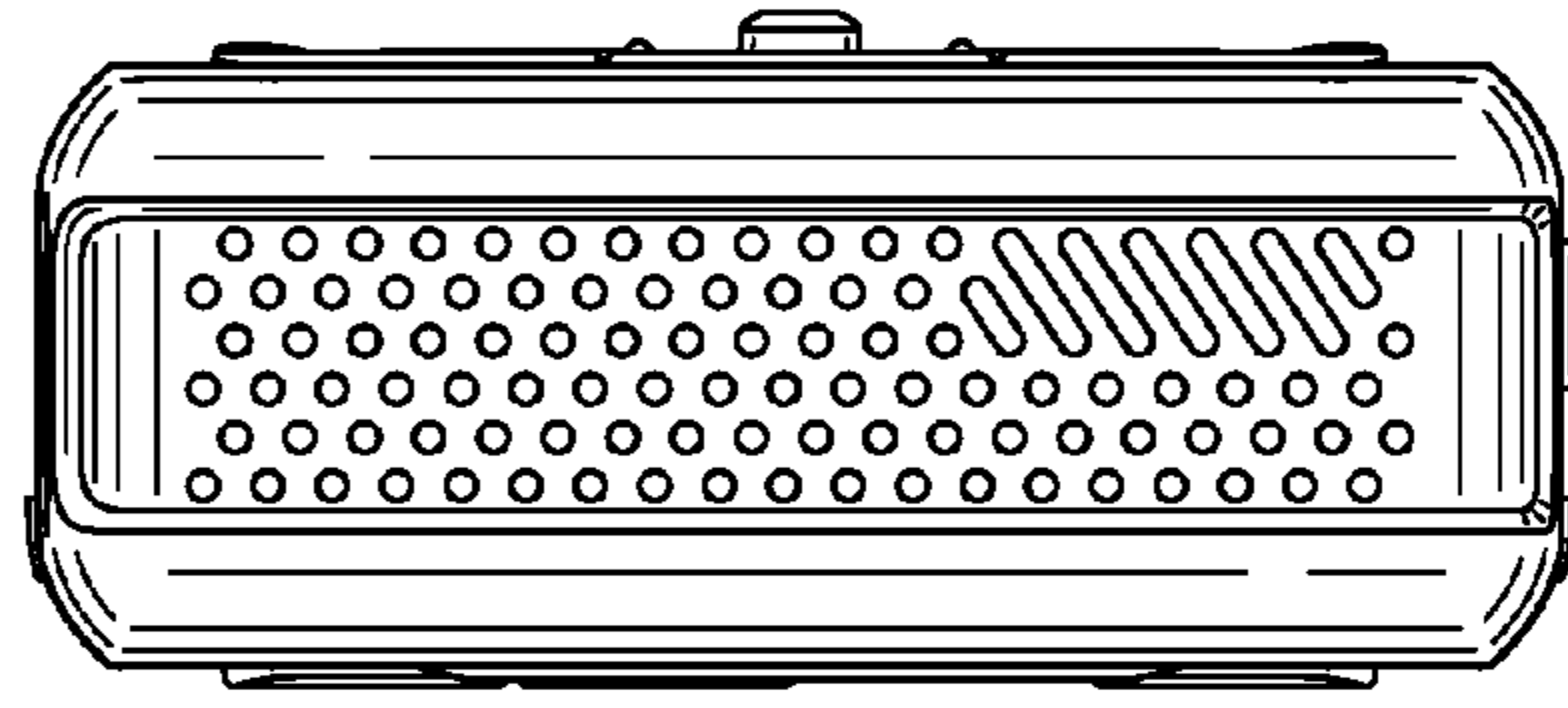


FIG. 1

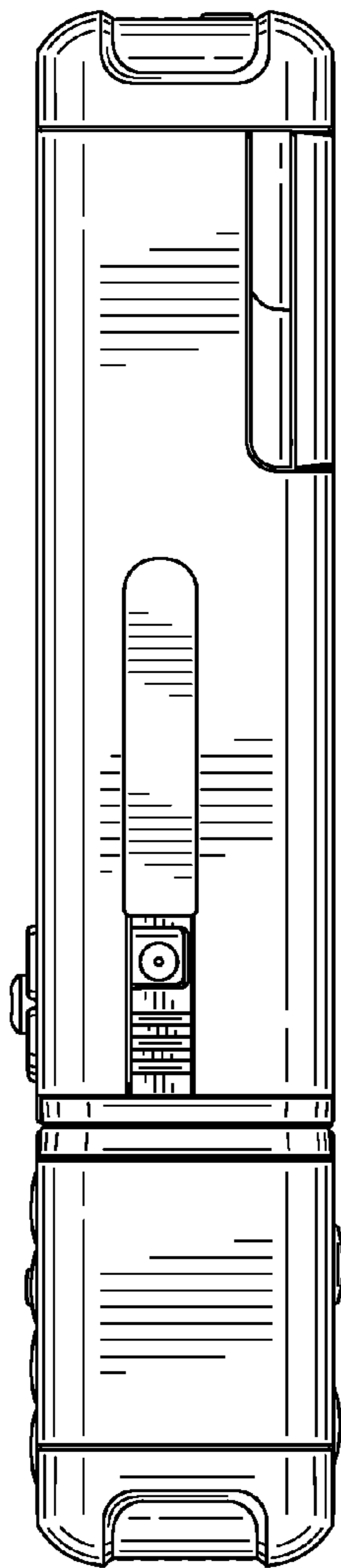


FIG. 2

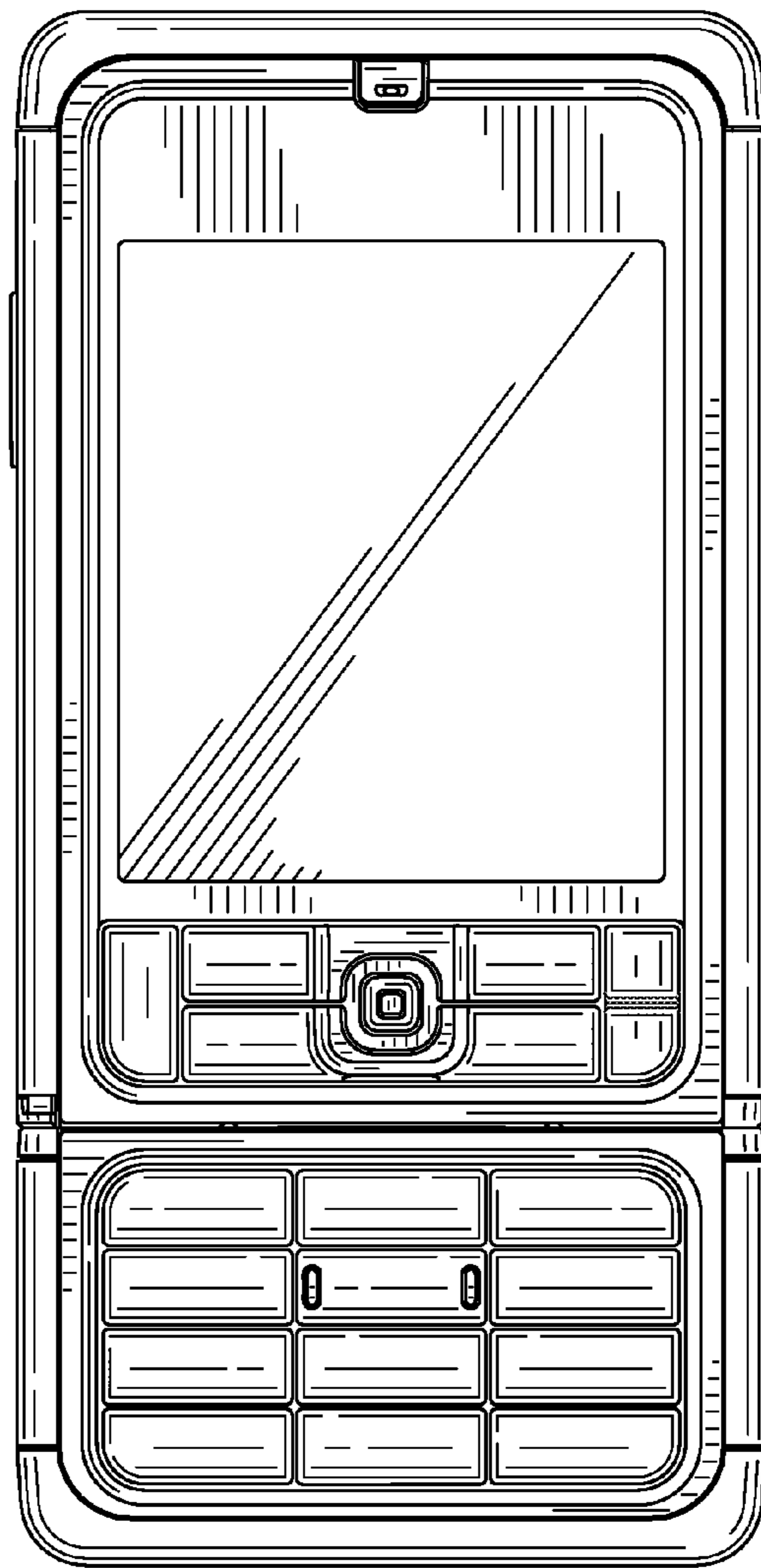


FIG. 3

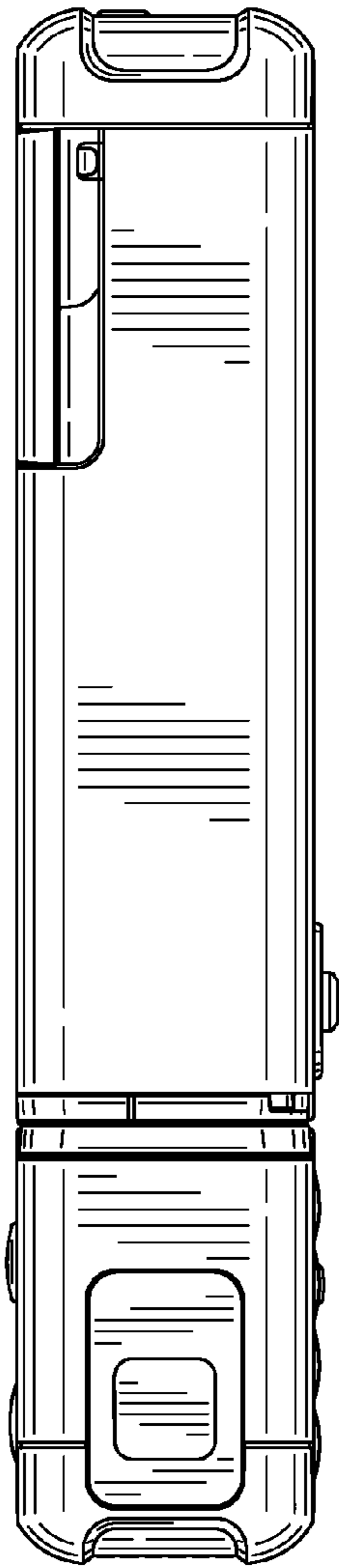


FIG. 4

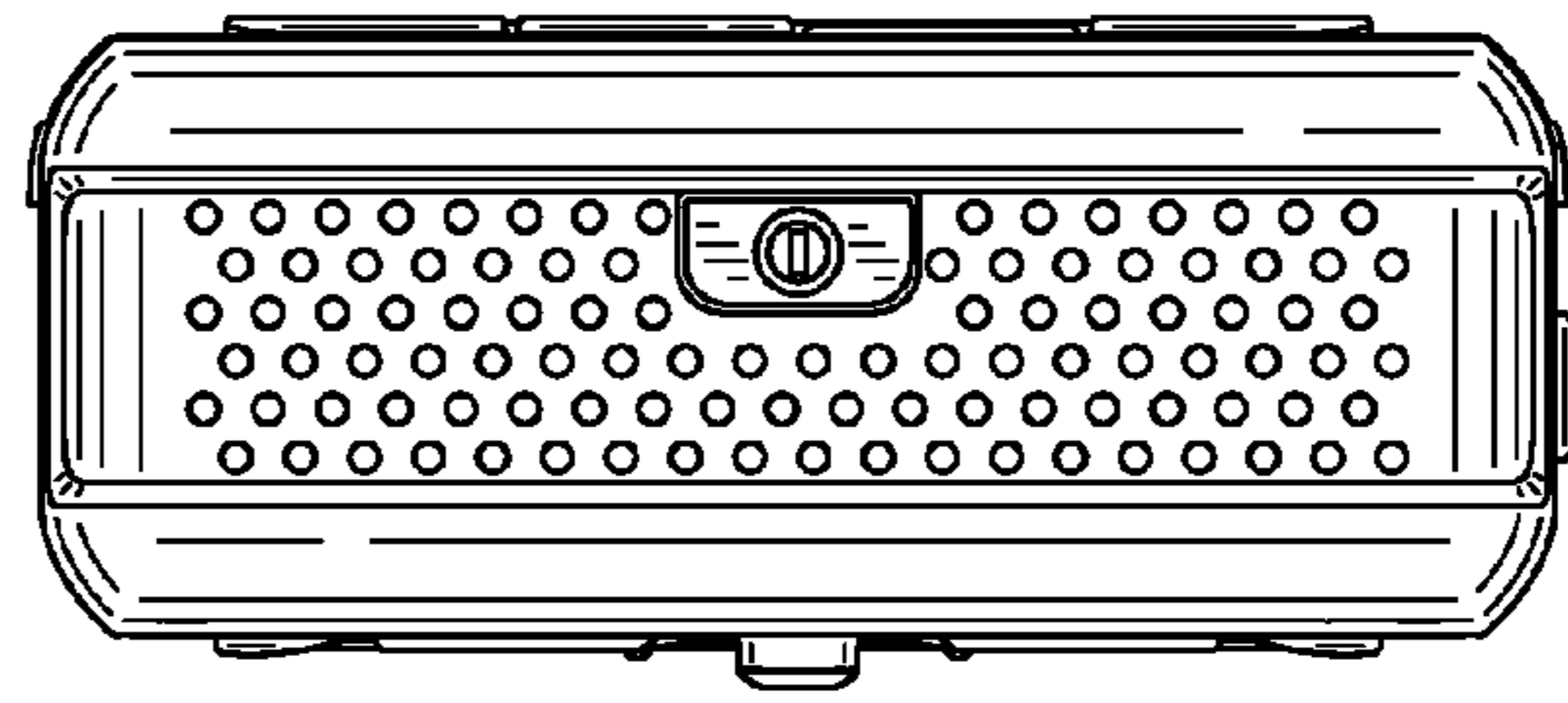


FIG. 5

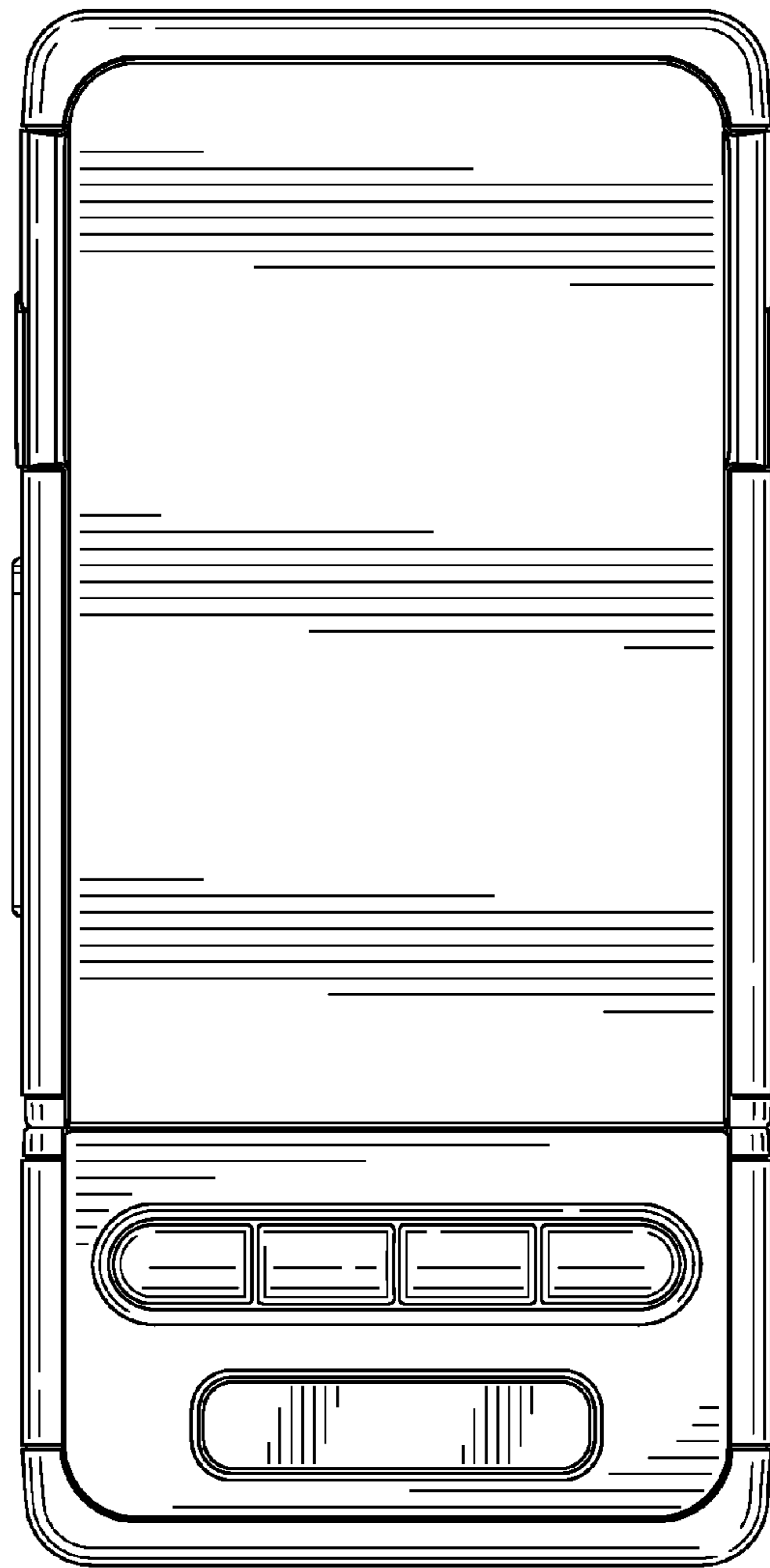


FIG. 6

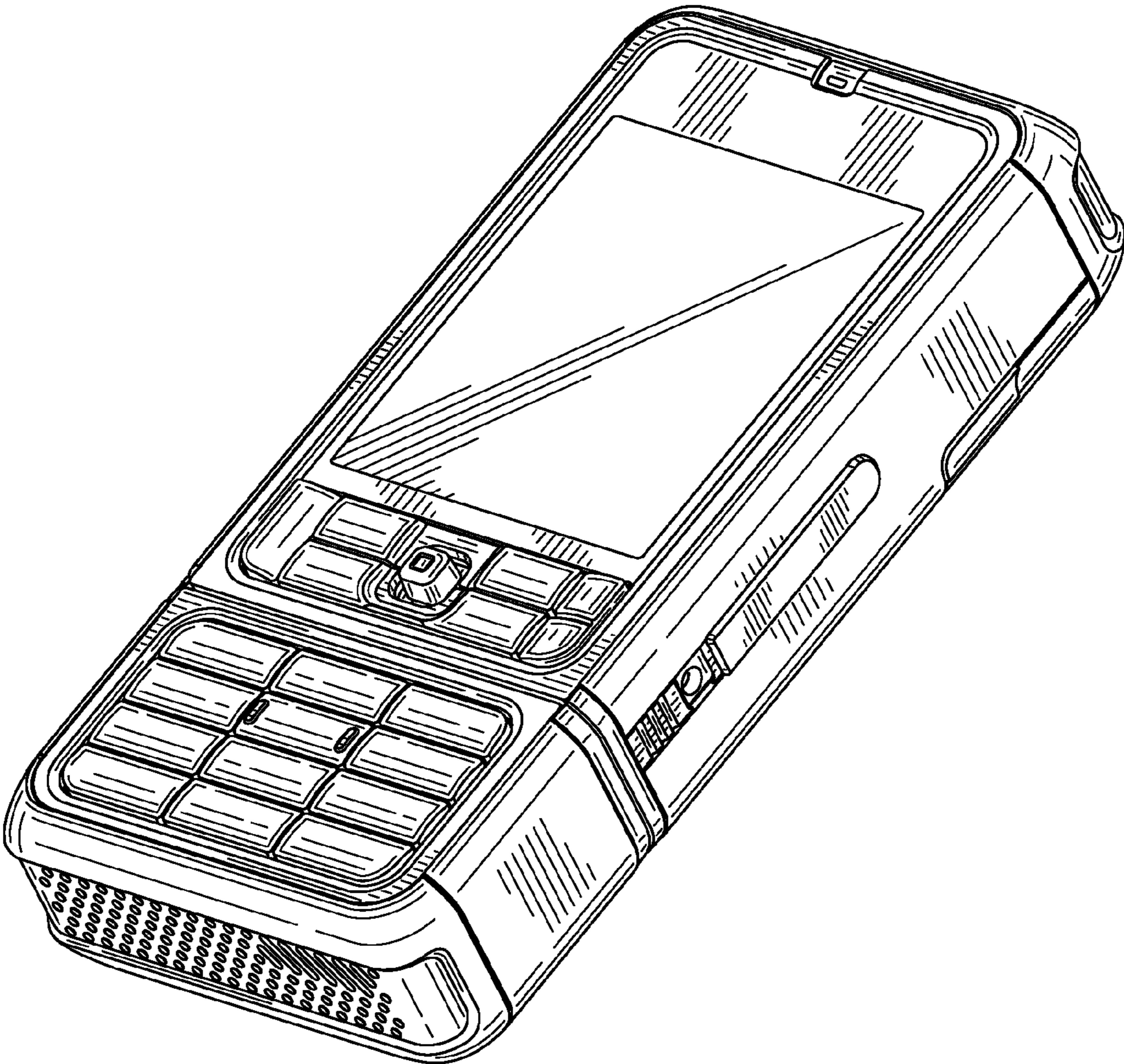


FIG. 7

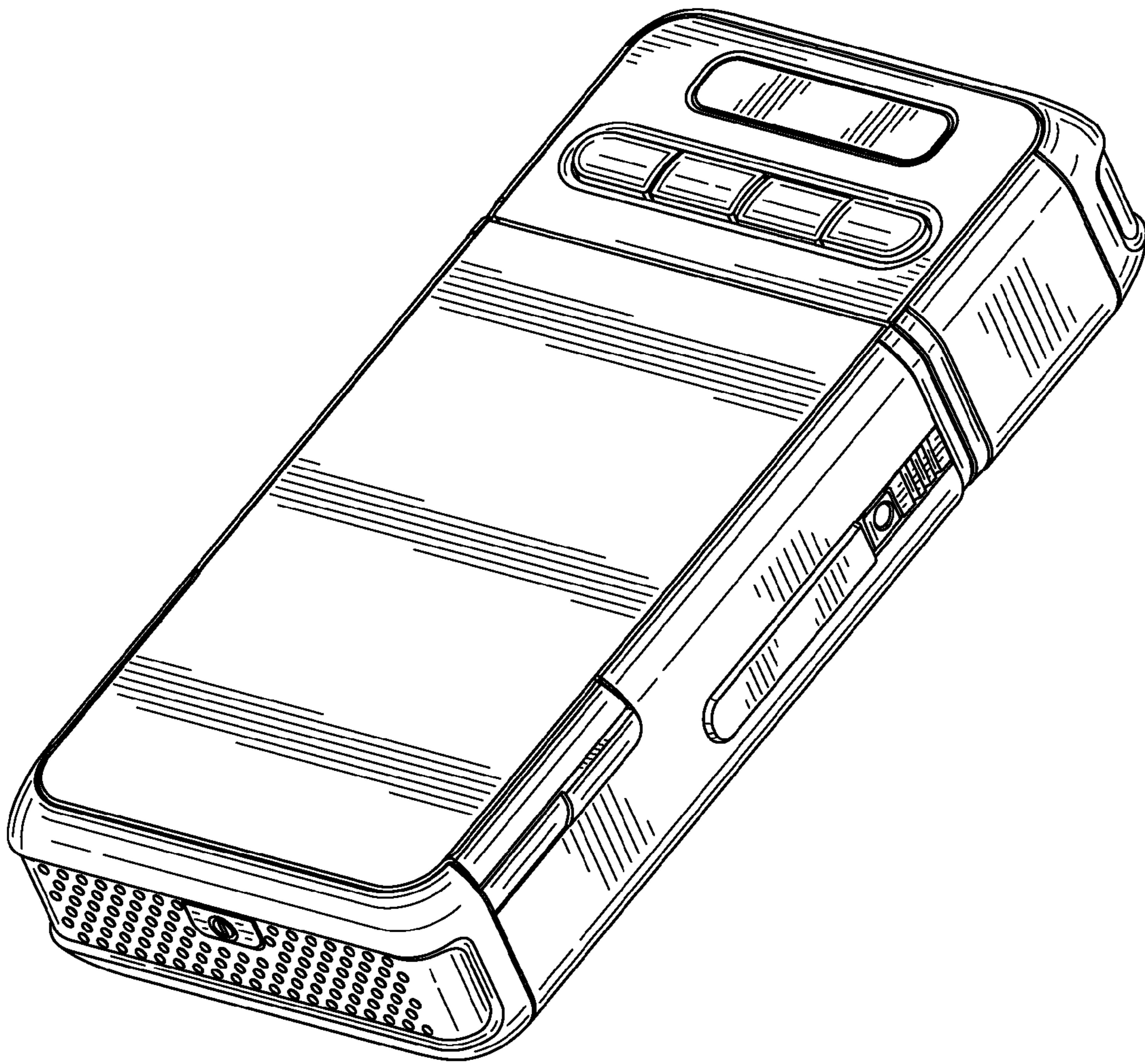


FIG. 8

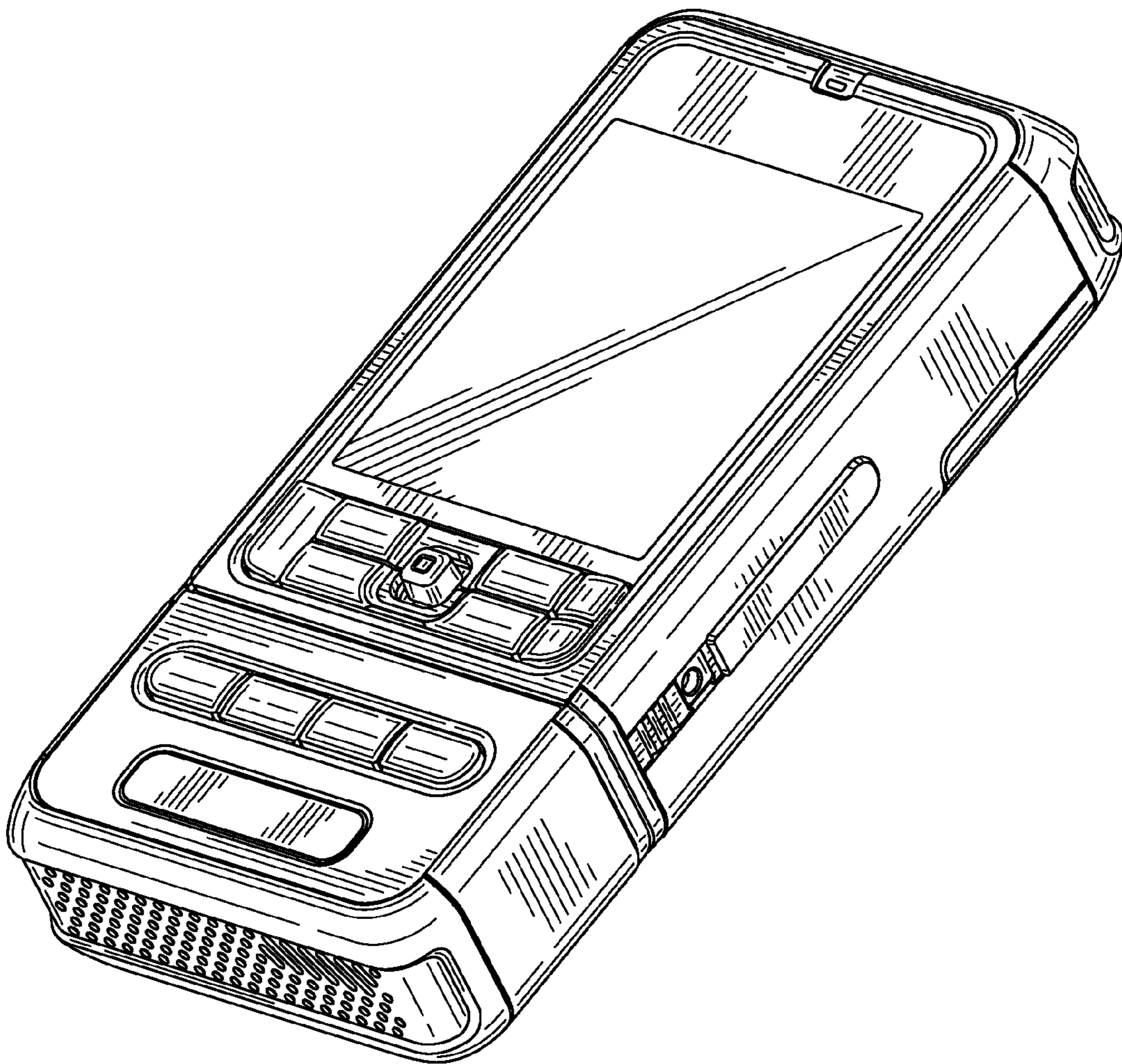


FIG. 9

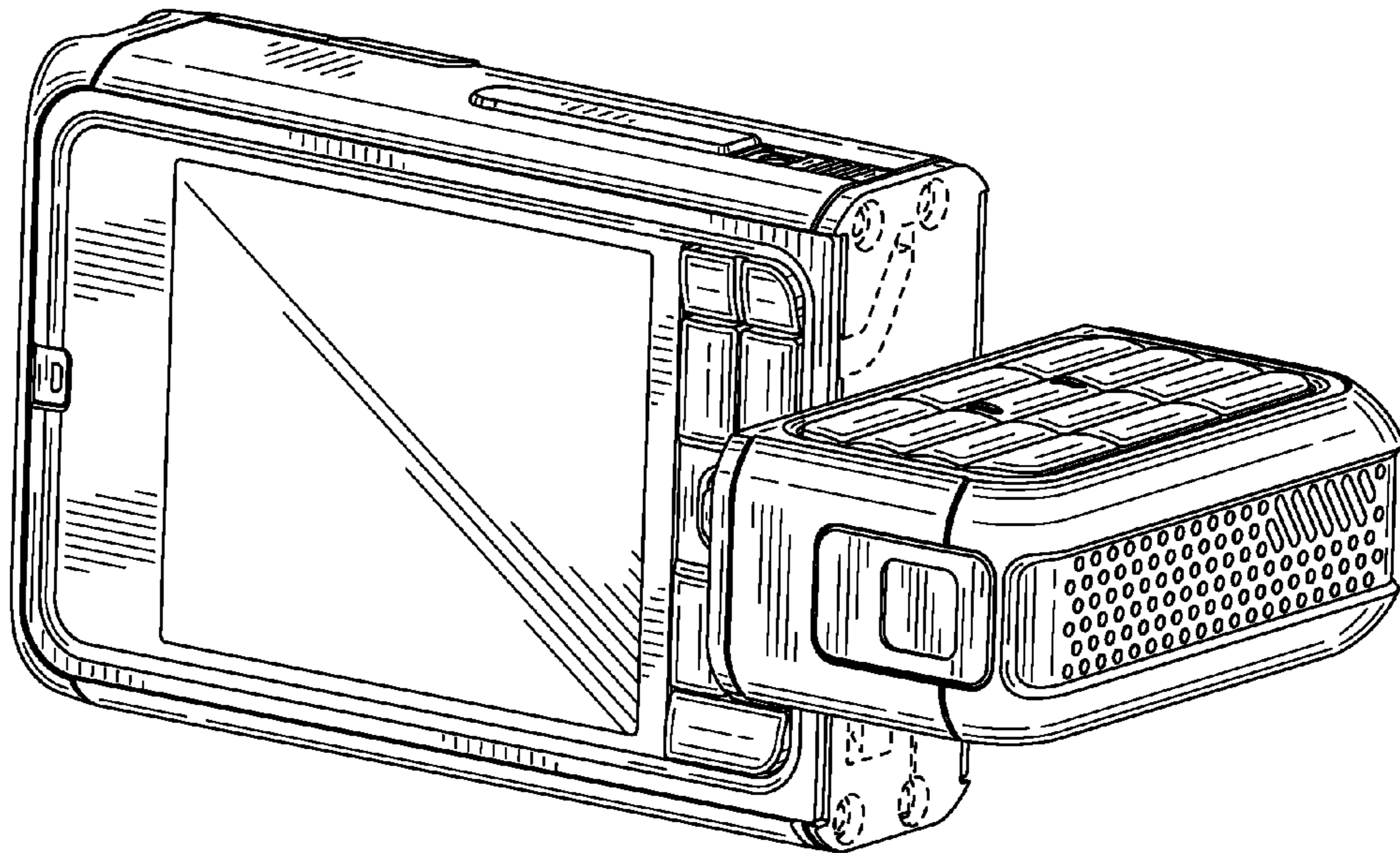


FIG. 10

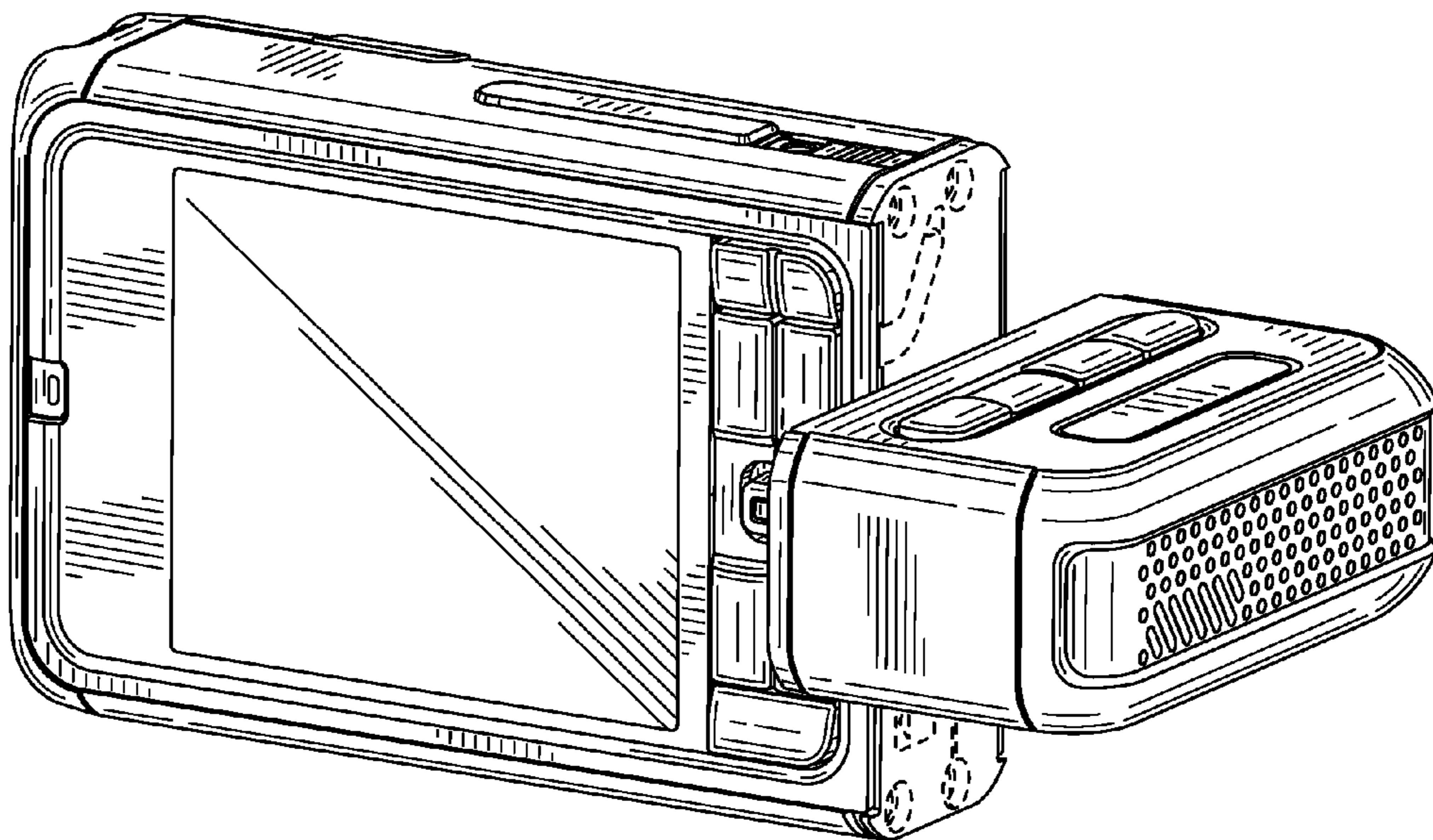


FIG. 11

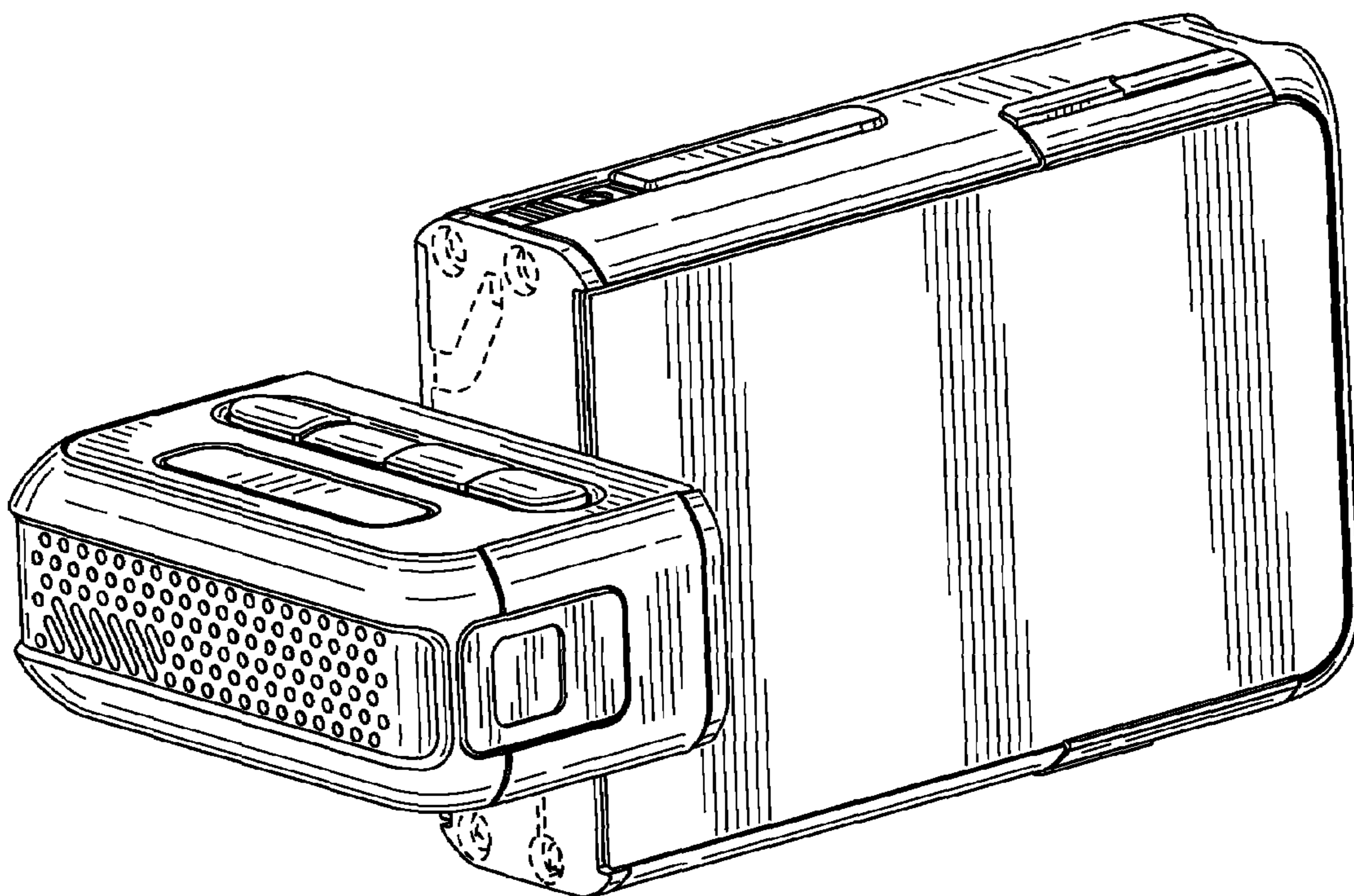


FIG. 12