



US00D556207S

(12) **United States Design Patent**  
**Griffin**

(10) **Patent No.:** **US D556,207 S**

(45) **Date of Patent:** **\*\* Nov. 27, 2007**

- (54) **KEYBOARD OF A HAND-HELD ELECTRONIC DEVICE**
- (75) Inventor: **Jason T. Griffin**, Kitchener (CA)
- (73) Assignee: **Research In Motion Limited**, Waterloo Ontario (CA)
- (\*\*) Term: **14 Years**

D498,752 S *	11/2004	Kagami et al.	.....	D14/248
D502,933 S *	3/2005	Munstermann	.....	D14/138
D503,163 S *	3/2005	Chan et al.	.....	D14/138
D514,542 S *	2/2006	Bertrand et al.	.....	D14/138
D524,279 S *	7/2006	Lai	.....	D14/138
D524,786 S *	7/2006	Paradise et al.	.....	D14/138
D524,803 S *	7/2006	Tyneski et al.	.....	D14/247
D530,697 S *	10/2006	Wei et al.	.....	D14/138
2006/0279434 A1 *	12/2006	Wang	.....	341/22

- (21) Appl. No.: **29/253,914**
- (22) Filed: **Feb. 13, 2006**

- (51) **LOC (8) Cl.** ..... **14-02**
- (52) **U.S. Cl.** ..... **D14/455**
- (58) **Field of Classification Search** ..... D14/137, D14/138, 144, 147, 148, 218, 247, 248, 329, D14/331, 333, 338-9, 341-7, 387, 390-2, D14/396-399, 432, 454, 455, 456; D18/1, D18/2, 6, 7, 12.2, 25, 52; D21/329; 235/145 R; 341/22, 27, 28; 345/168, 169, 170, 171, 345/172, 947, 948; 379/368, 915, 433.07; 400/109, 110, 111, 472, 484, 485, 486, 488, 400/489, 490, 491, 492; 455/550.1, 556.2, 455/186.2

See application file for complete search history.

(56) **References Cited**

**U.S. PATENT DOCUMENTS**

D479,514 S *	9/2003	Chan	.....	D14/138
D491,930 S *	6/2004	Widiaman	.....	D14/247
D492,660 S *	7/2004	Kim et al.	.....	D14/138

**FOREIGN PATENT DOCUMENTS**

GB 000088547-0001 \* 10/2003

\* cited by examiner

*Primary Examiner*—Cathron C. Brooks

*Assistant Examiner*—Angela Lee

(74) *Attorney, Agent, or Firm*—Novak Druce & Quigg, LLP

(57) **CLAIM**

The ornamental design for a keyboard of a hand-held electronic device, as shown and described.

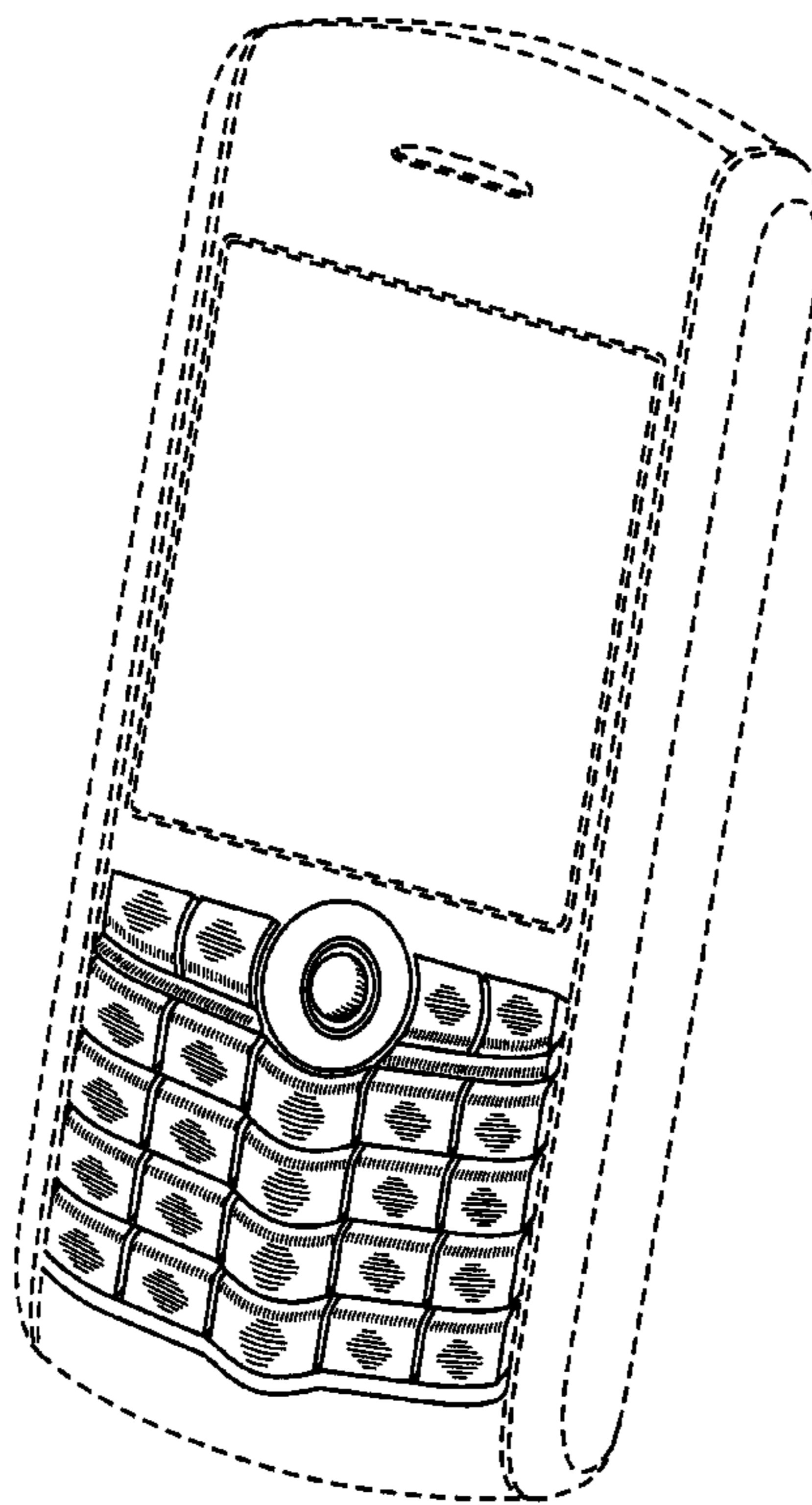
**DESCRIPTION**

FIG. 1 is a front perspective view of a keyboard of a hand-held electronic device; and,

FIG. 2 is a front elevational view thereof.

The broken line showing of a hand-held electronic device is included for the purpose of illustrating environmental structure and forms no part of the claimed design.

**1 Claim, 2 Drawing Sheets**



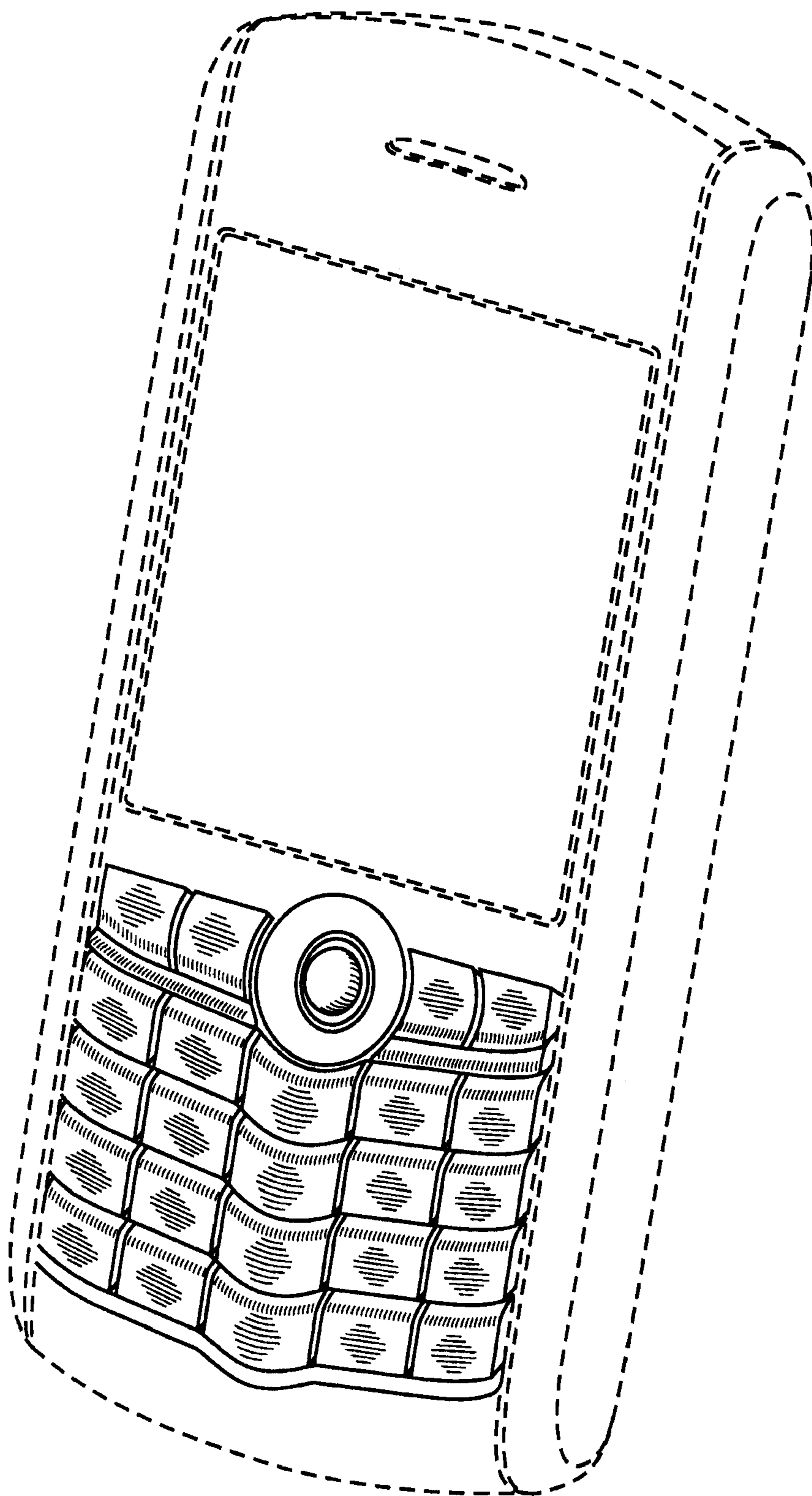


FIG. 1

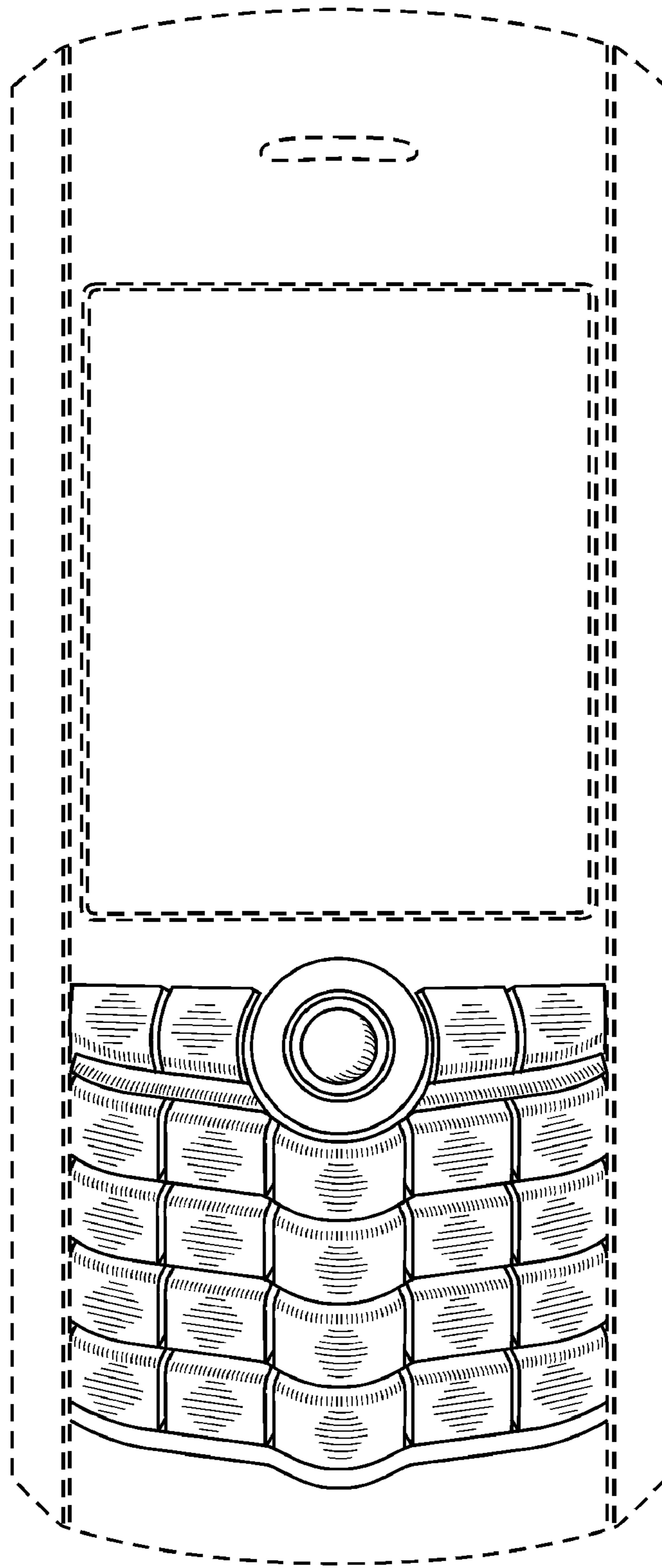


FIG. 2