



US00D556205S

(12) **United States Design Patent** (10) **Patent No.:** **US D556,205 S**  
**Wohlford et al.** (45) **Date of Patent:** **\*\* Nov. 27, 2007**

(54) **SUPPORT ARM FOR FLAT PANEL ELECTRONIC DISPLAY**

(75) Inventors: **Jim Wohlford**, Edina, MN (US); **Joel Pfister**, Golden Valley, MN (US); **Dominic Grey**, Blaine, MN (US); **Stuart Bulcraig**, Auckland (NZ)

(73) Assignee: **CSAV, Inc.**, Savage, MN (US)

(\*\*) Term: **14 Years**

(21) Appl. No.: **29/251,192**

(22) Filed: **Jan. 4, 2006**

(51) **LOC (8) Cl.** ..... **08-07**

(52) **U.S. Cl.** ..... **D14/452**

(58) **Field of Classification Search** ..... D8/71, D8/72, 73, 74, 394, 353, 363, 354, 355; 248/231.21, 248/230.6, 228.6, 229.25, 317, 323, 341, 248/326, 324, 921, 281.1, 917, 230.9, 363, 248/274.1, 284.1, 276, 278.1; D14/451, D14/452, 229, 251

See application file for complete search history.

(56) **References Cited**

**U.S. PATENT DOCUMENTS**

2,896,893	A *	7/1959	Oliver	.....	D8/72
D269,945	S *	8/1983	Carney	.....	D8/355
4,836,486	A *	6/1989	Vossoughi et al.	.....	248/921
4,863,133	A *	9/1989	Bonnell	.....	248/563
5,092,552	A *	3/1992	Dayton et al.	.....	248/181.1
D331,921	S *	12/1992	Gutke et al.	.....	D14/452
D332,562	S *	1/1993	Fremont et al.	.....	D8/73
D337,333	S *	7/1993	Turk	.....	D8/355
D345,905	S *	4/1994	Hallgren	.....	D8/355
D347,841	S *	6/1994	Rossman et al.	.....	D14/452
D367,421	S *	2/1996	Powers	.....	D8/73
D389,334	S *	1/1998	Attridge	.....	D8/394
D435,852	S *	1/2001	Oddsens, Jr.	.....	D14/452
6,409,134	B1 *	6/2002	Oddsens, Jr.	.....	248/274.1
6,695,270	B1 *	2/2004	Smed	.....	248/274.1
D495,714	S *	9/2004	Pfister	.....	D14/451
D496,367	S *	9/2004	Pfister	.....	D14/451

6,857,610	B1 *	2/2005	Conner et al.	.....	248/917
6,874,743	B2 *	4/2005	Watanabe et al.	.....	248/276.1
D507,477	S *	7/2005	Pfister	.....	D8/363
6,962,314	B2 *	11/2005	Hsu	.....	248/363
7,028,961	B1 *	4/2006	Dittmer et al.	.....	248/278.1
D520,017	S *	5/2006	van Kuijk et al.	.....	D14/452
D521,850	S *	5/2006	Richter et al.	.....	D8/354
2004/0159757	A1 *	8/2004	Pfister	.....	248/284.1
2006/0022102	A1 *	2/2006	Dittmer	.....	248/276.1

**OTHER PUBLICATIONS**

U.S. Appl. No. 29/237,995, filed Sep. 9, 2005, Pribyl.

\* cited by examiner

*Primary Examiner*—Louis Zarfaz

*Assistant Examiner*—David G. Muller

(74) *Attorney, Agent, or Firm*—Patterson, Thuente, Skaar & Christensen, P.A.

(57) **CLAIM**

The ornamental design for support arm for flat panel electronic display, as shown and described.

**DESCRIPTION**

FIG. 1 is a rear perspective view of the support arm for flat panel electronic display;

FIG. 2 is a top plan view of the support arm for flat panel electronic display;

FIG. 3 is a bottom plan view of the support arm for flat panel electronic display;

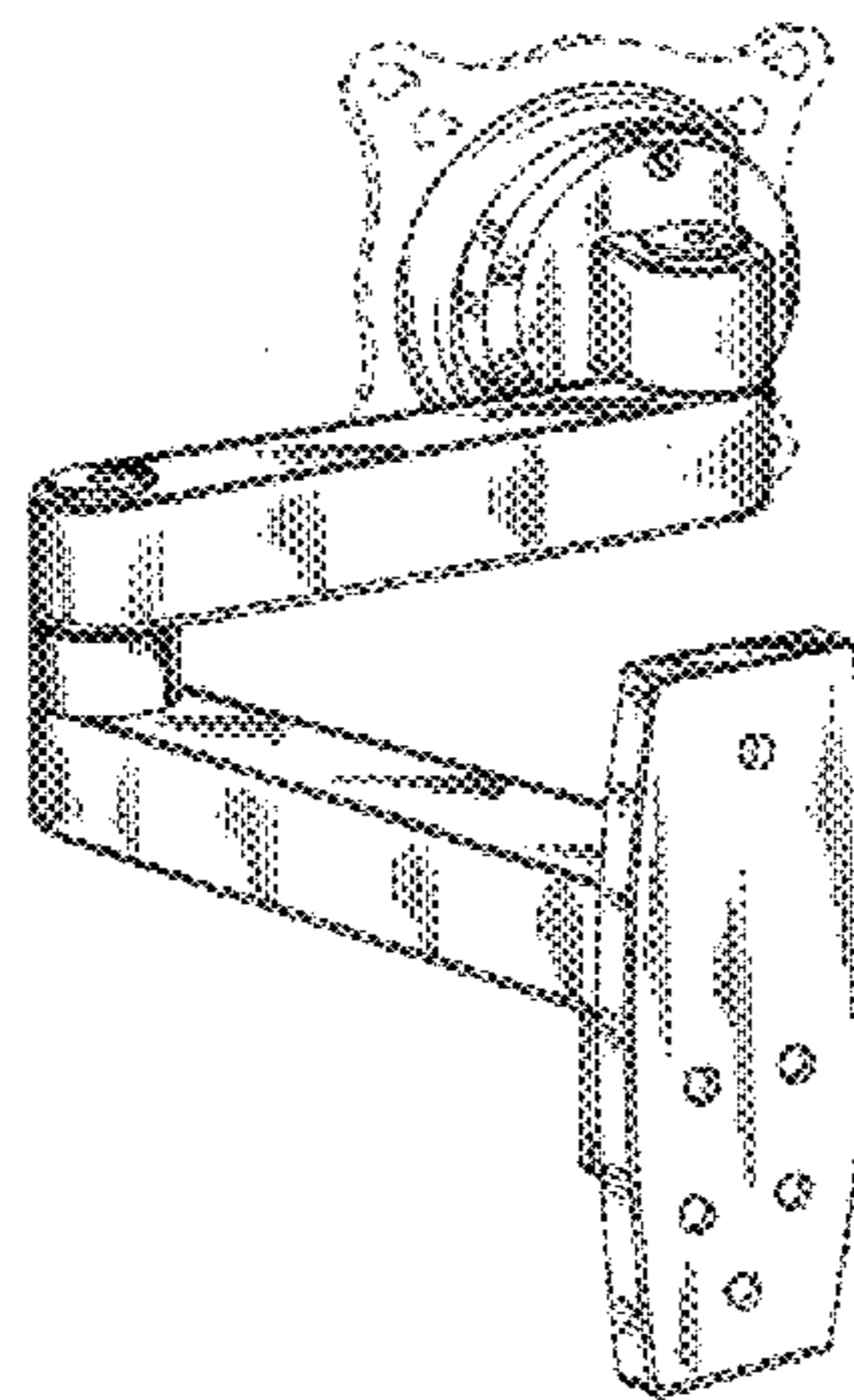
FIG. 4 is a side elevation view of the support arm for flat panel electronic display;

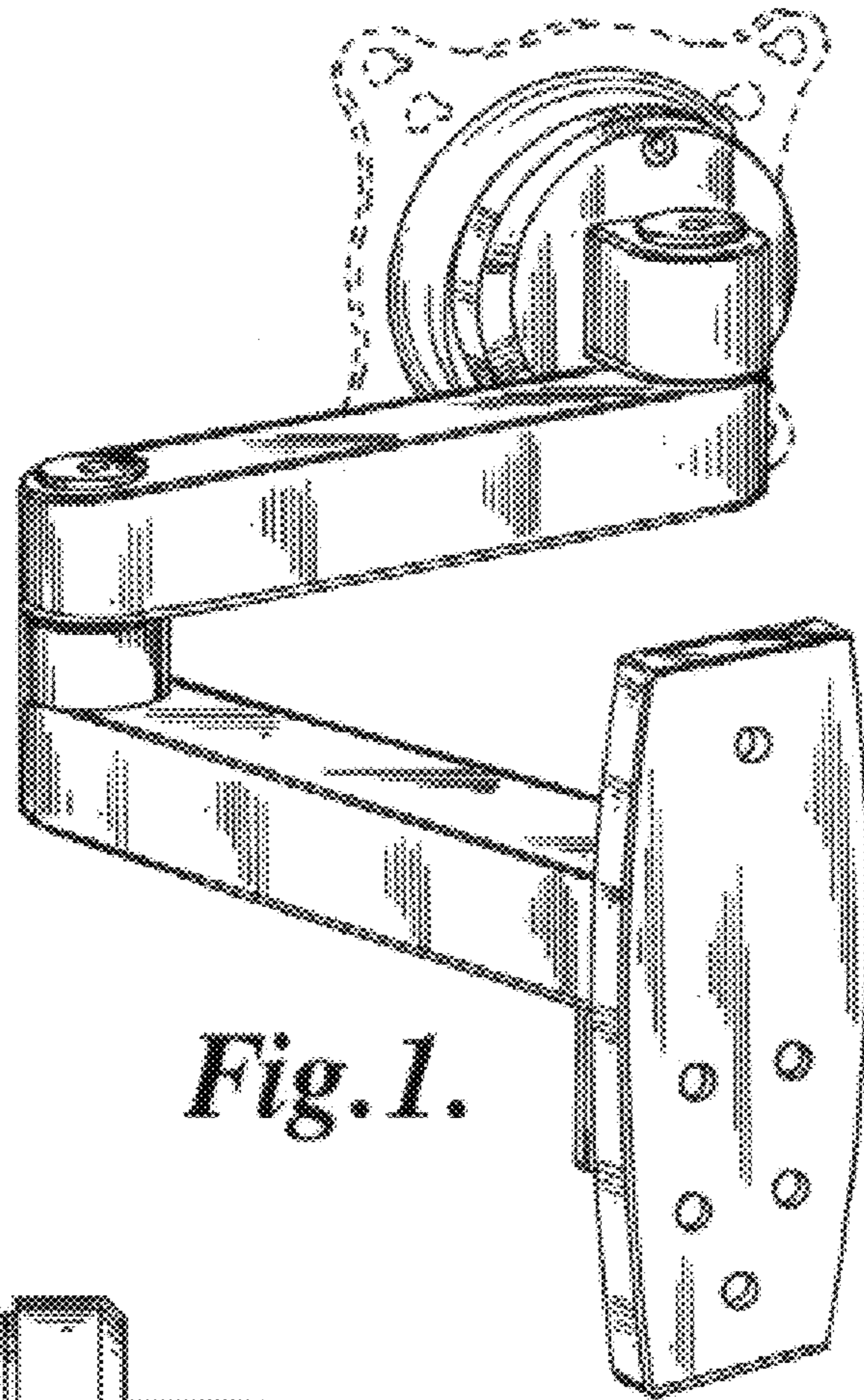
FIG. 5 is a rear elevation view of the support arm for flat panel electronic display; and,

FIG. 6 is a front elevation view of the support arm for flat panel electronic display.

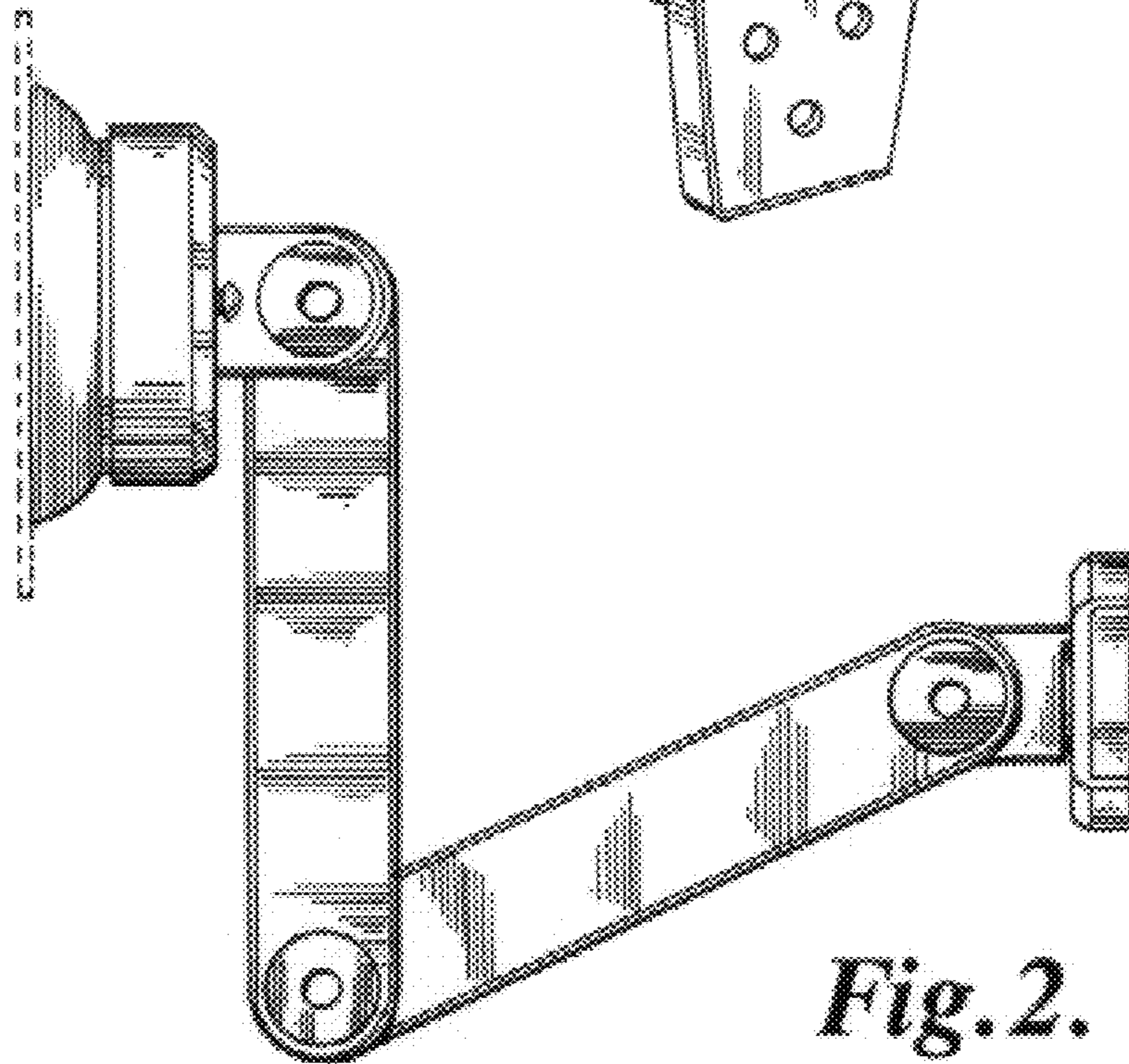
The broken line depiction of the mounting structure is included for the purpose of illustrating environment and forms no part of the claimed design.

**1 Claim, 3 Drawing Sheets**

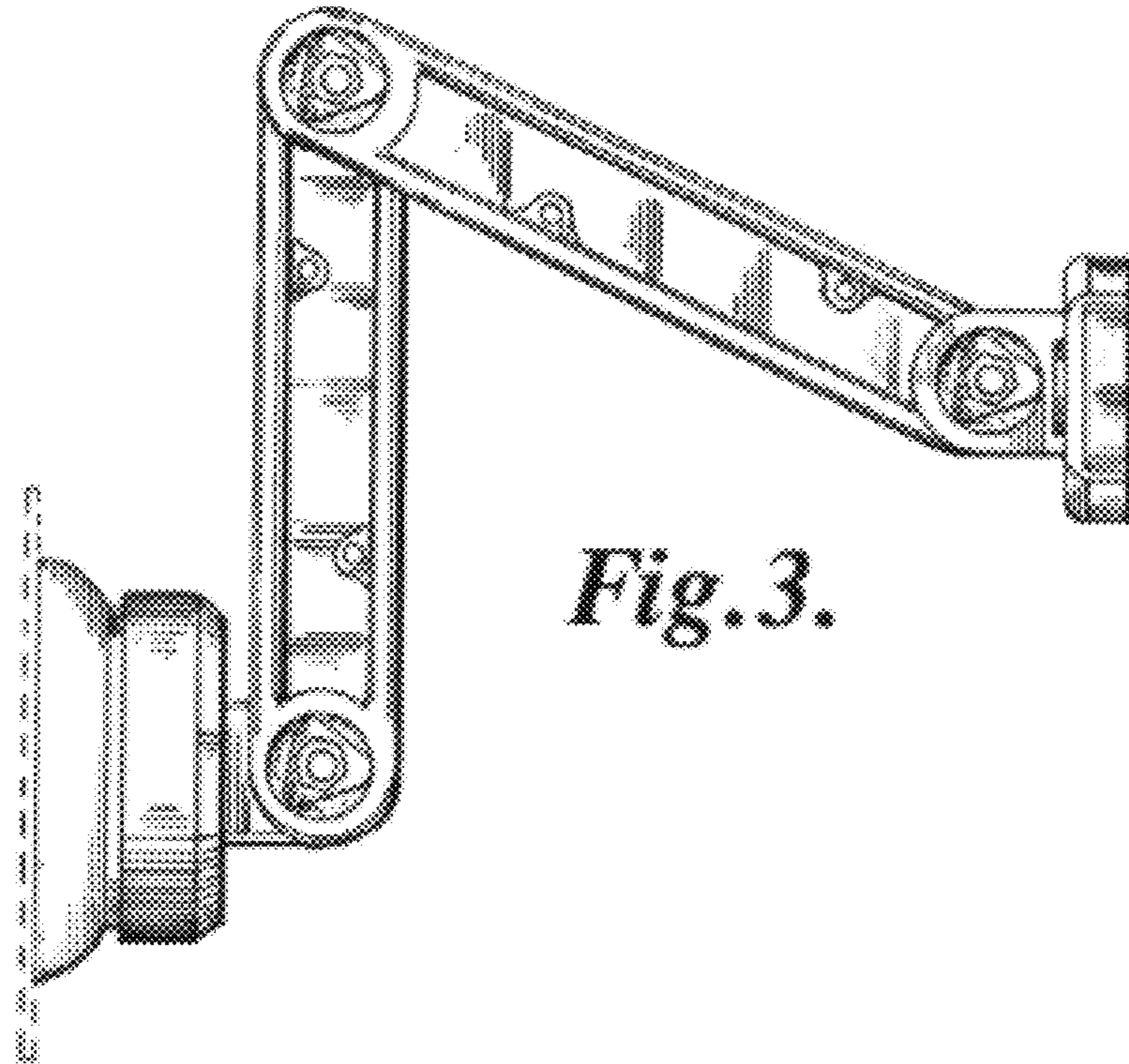




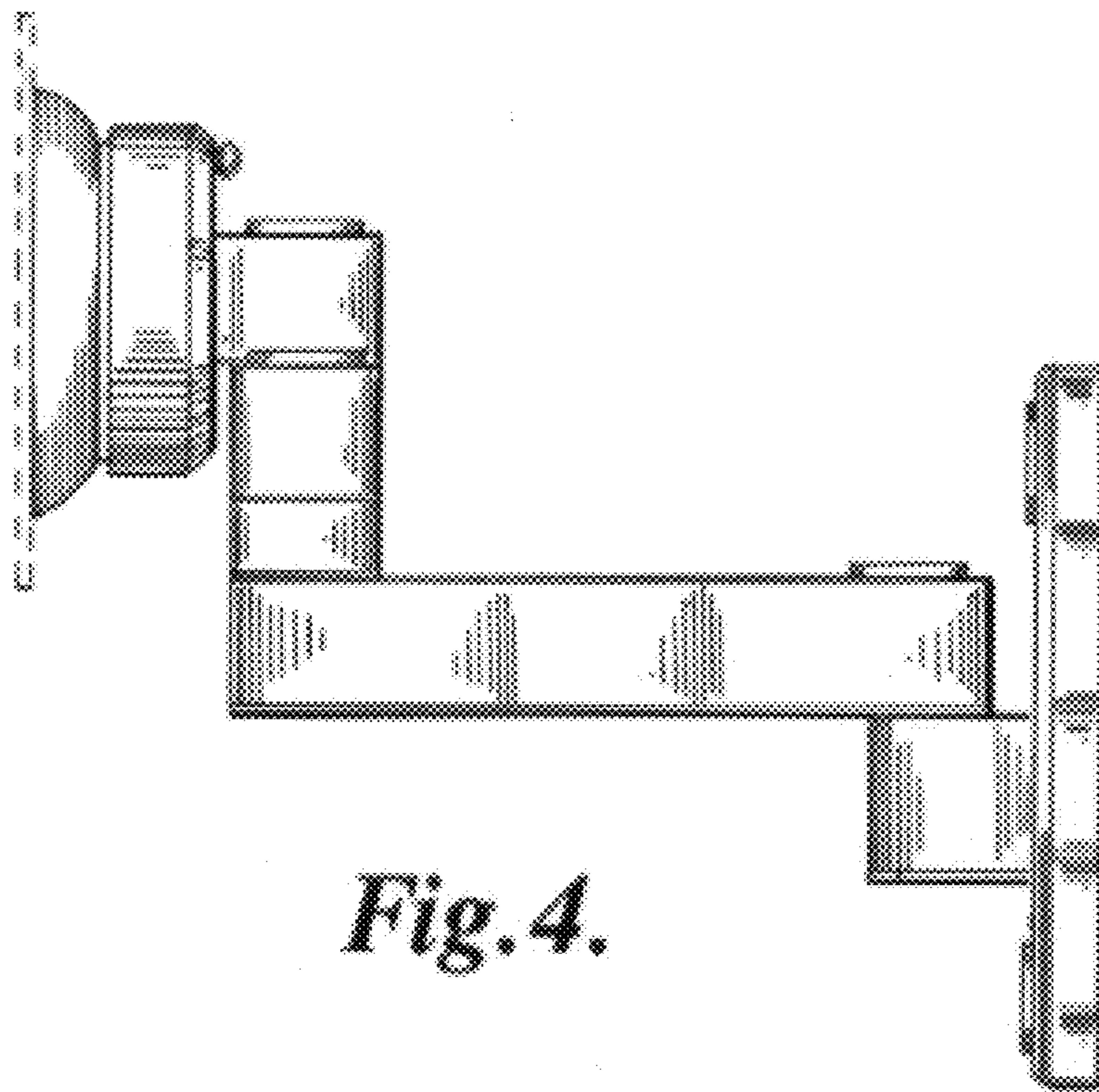
*Fig. 1.*



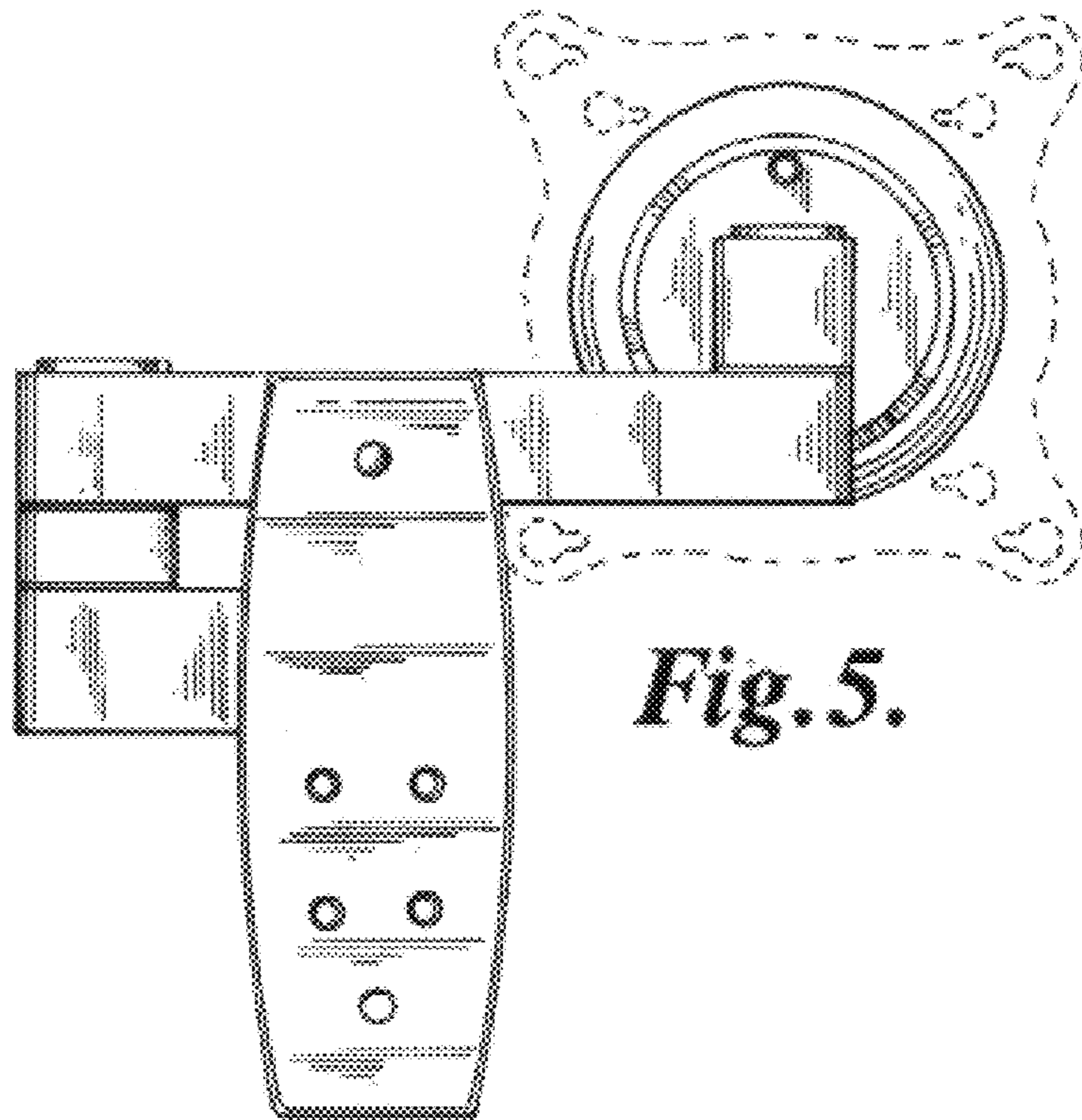
*Fig. 2.*



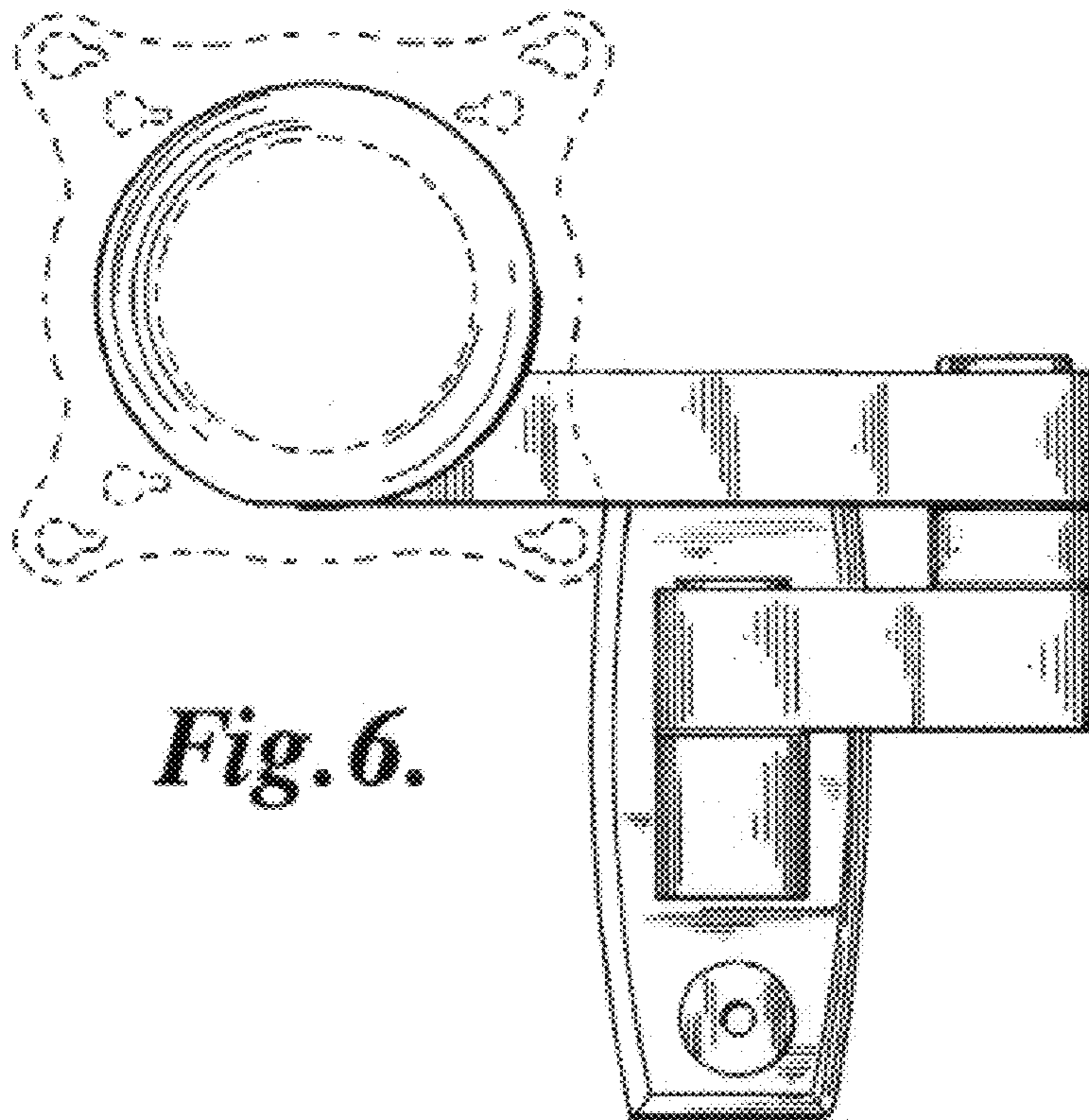
*Fig. 3.*



*Fig. 4.*



*Fig. 5.*



*Fig. 6.*