



US00D556204S

(12) **United States Design Patent**
Tosh et al.

(10) **Patent No.:** **US D556,204 S**

(45) **Date of Patent:** **** Nov. 27, 2007**

(54) **FILLER PANEL WITH INTEGRATED DUST COVER**

(75) Inventors: **Andrew Tosh**, Maynard, MA (US);
Lisa Marie Surowiec, Beverly, MA (US);
Christopher H. Frank, San Jose, CA (US)

(73) Assignee: **Sun Microsystems, Inc.**, Santa Clara, CA (US)

(**) Term: **14 Years**

(21) Appl. No.: **29/259,825**

(22) Filed: **May 16, 2006**

(51) **LOC (8) Cl.** **14-02**

(52) **U.S. Cl.** **D14/439**

(58) **Field of Classification Search** D14/363,
D14/367, 432-439, 489; D13/146, 147,
D13/120, 133, 199; 312/223.1, 223.2; 439/159,
439/160, 433, 630, 65, 295, 441, 660, 862,
439/152, 607-610, 131, 299, 300, 345, 372,
439/928.1; 361/685, 727; 200/51.09

See application file for complete search history.

(56) **References Cited**

U.S. PATENT DOCUMENTS

D242,633	S	*	12/1976	Palecki et al.	D14/368
D308,671	S	*	6/1990	Aderman et al.	D14/445
D393,632	S	*	4/1998	Sherry	D14/435
D416,885	S	*	11/1999	Hirai et al.	D14/436
6,067,225	A	*	5/2000	Reznikov et al.	361/685
D434,771	S	*	12/2000	Ohtani	D14/436
D442,964	S	*	5/2001	Ohtani	D14/436
D447,484	S	*	9/2001	Reznikov et al.	D14/441
6,442,031	B1	*	8/2002	Liu	361/727
D473,852	S	*	4/2003	Frank et al.	D13/182

D475,061	S	*	5/2003	Huang	D14/483
6,644,481	B2	*	11/2003	Dean et al.	312/223.1
D490,083	S	*	5/2004	Wu	D14/439
D492,683	S	*	7/2004	Nishio et al.	D14/367
6,798,650	B2	*	9/2004	Reznikov et al.	361/685
6,940,731	B2	*	9/2005	Davis et al.	312/223.2
6,969,131	B2	*	11/2005	Chen et al.	312/223.2
D545,321	S	*	6/2007	Frank et al.	D14/439
2005/0157472	A1	*	7/2005	Malone et al.	361/724
2006/0285287	A1	*	12/2006	Chen et al.	361/685
2007/0087586	A1	*	4/2007	Karamooz	439/65
2007/0153467	A1	*	7/2007	Chen et al.	361/685

* cited by examiner

Primary Examiner—Cathron Brooks

Assistant Examiner—Deanna Fluegeman

(74) *Attorney, Agent, or Firm*—Osha Liang LLP

(57) **CLAIM**

The ornamental design for a filler panel with integrated dust cover, as shown and described.

DESCRIPTION

FIG. 1 shows a front perspective view of the design according to the invention.

FIG. 2 shows a rear perspective view of the design according to the invention.

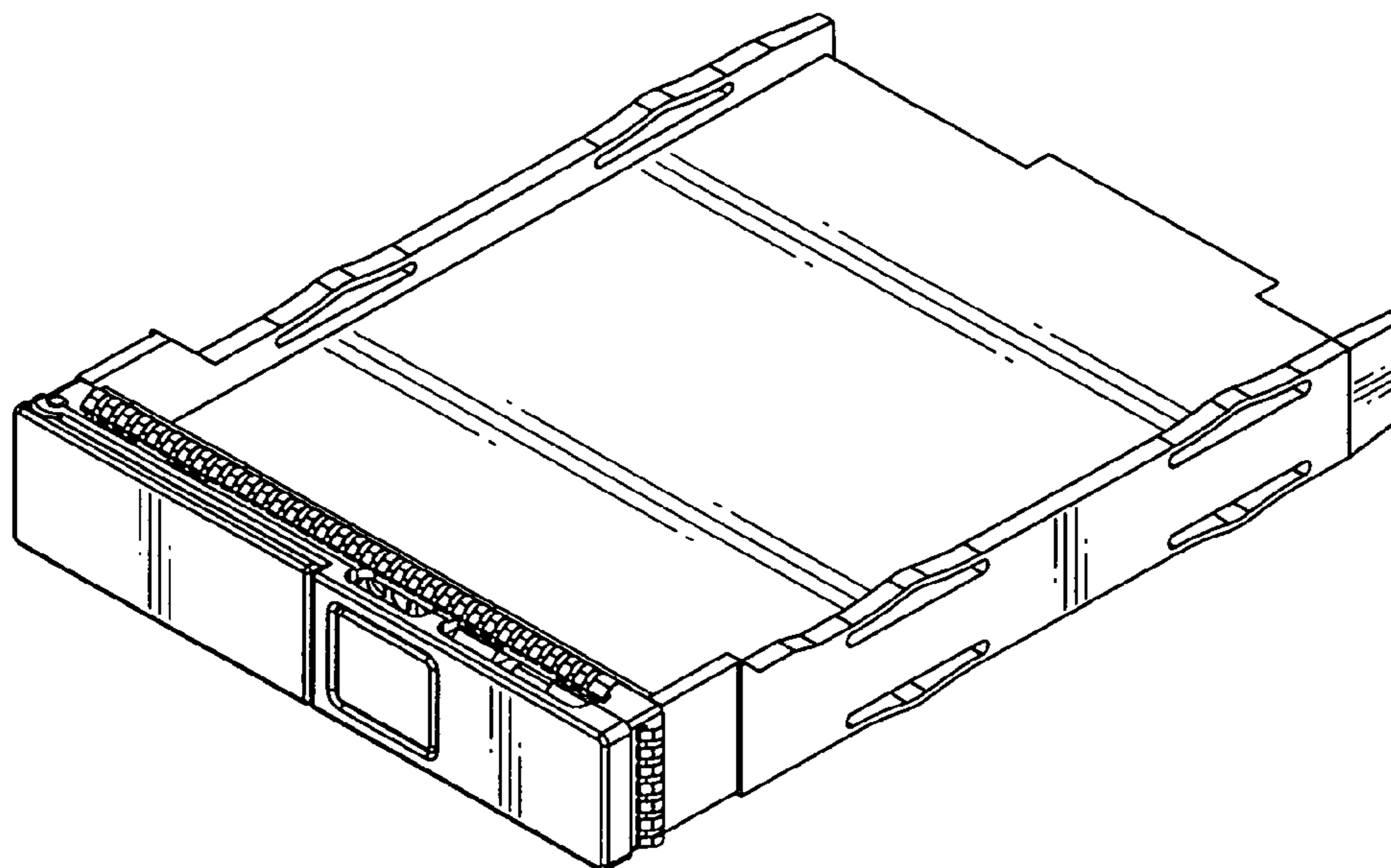
FIG. 3 shows a top view of the design according to the invention.

FIG. 4 shows a front view of the design according to the invention.

FIG. 5 shows left side view of the design according to the invention; and,

FIG. 6 shows a right side view of the design according to the invention.

1 Claim, 3 Drawing Sheets



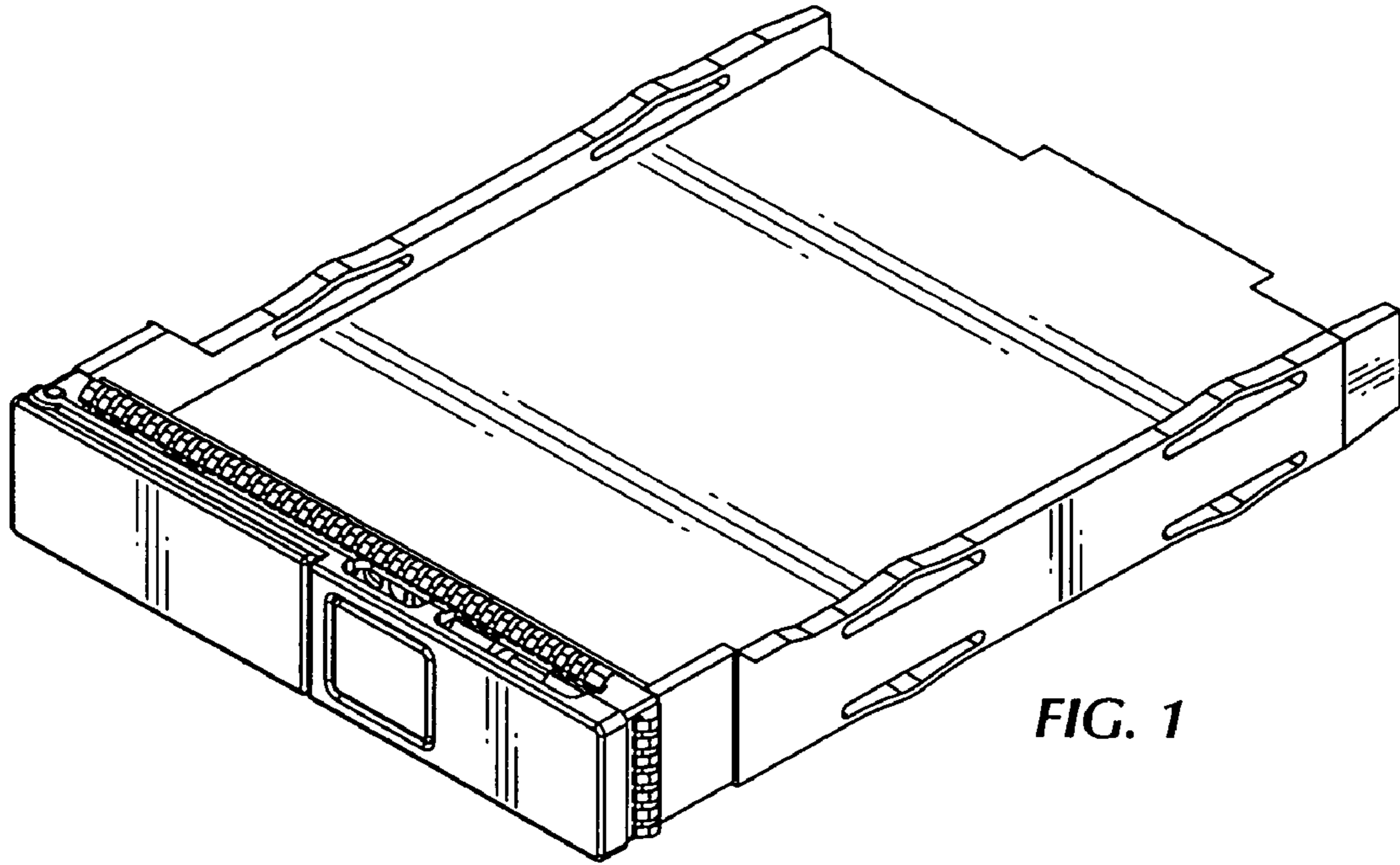


FIG. 1

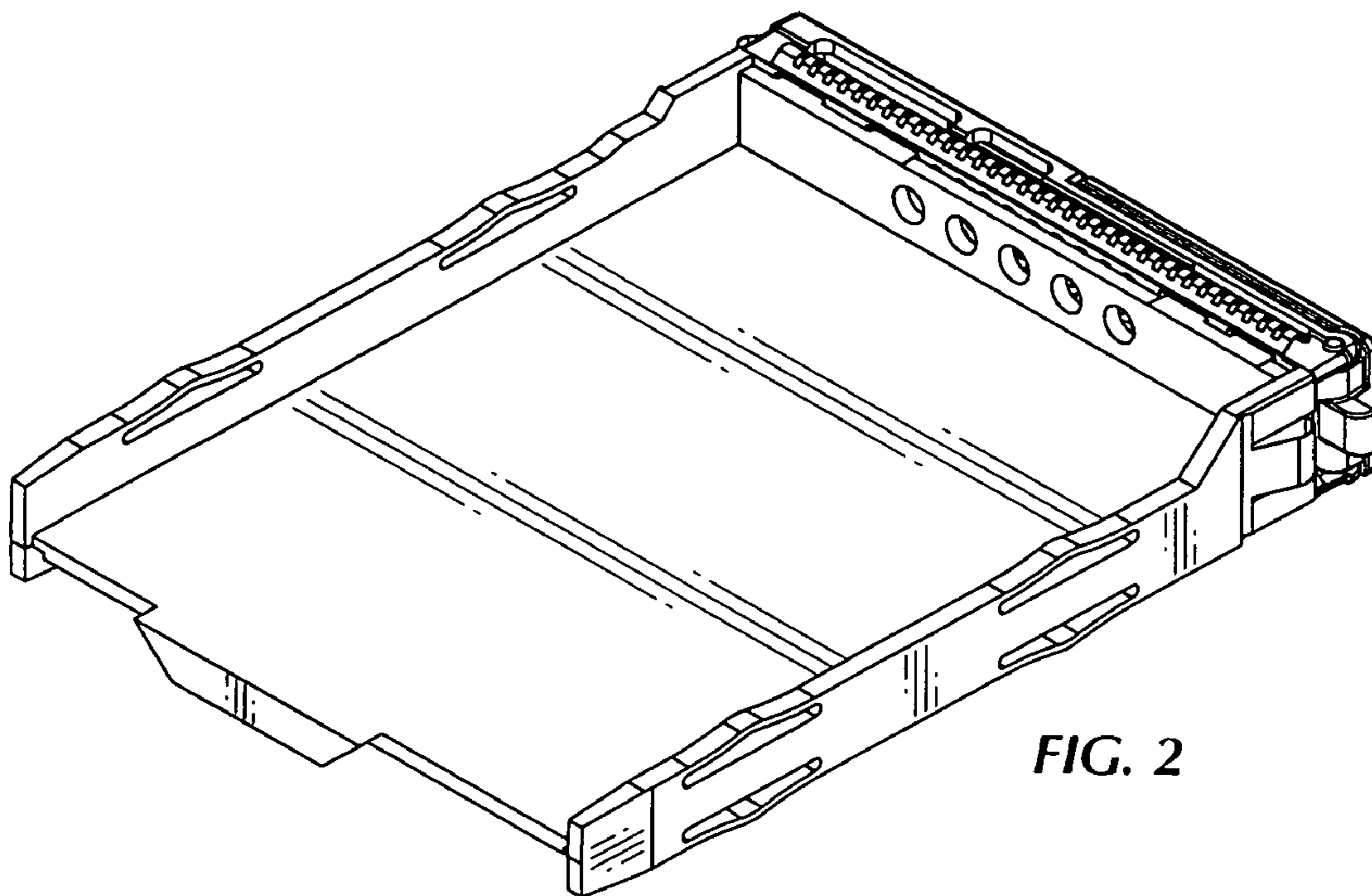


FIG. 2

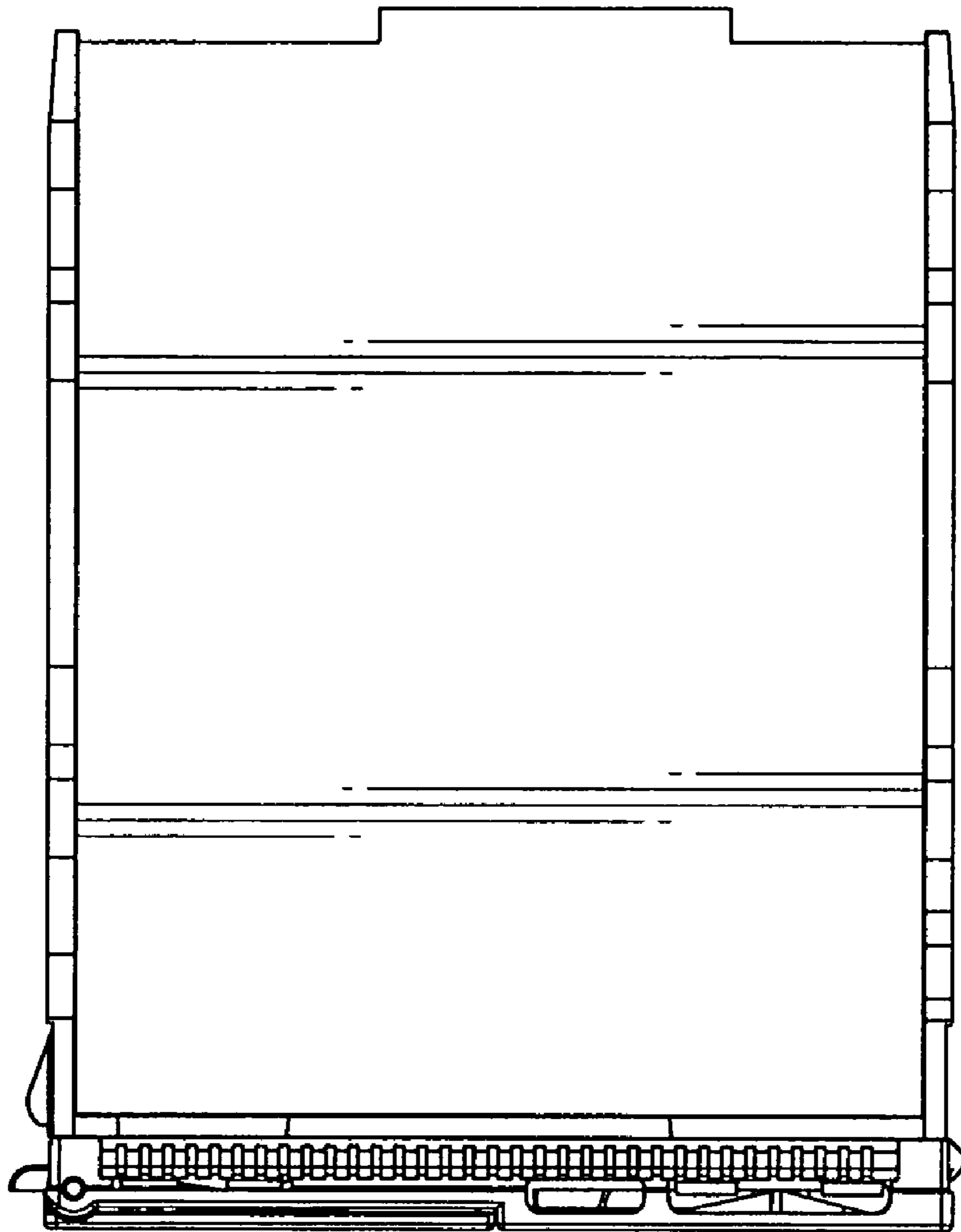


FIG. 3

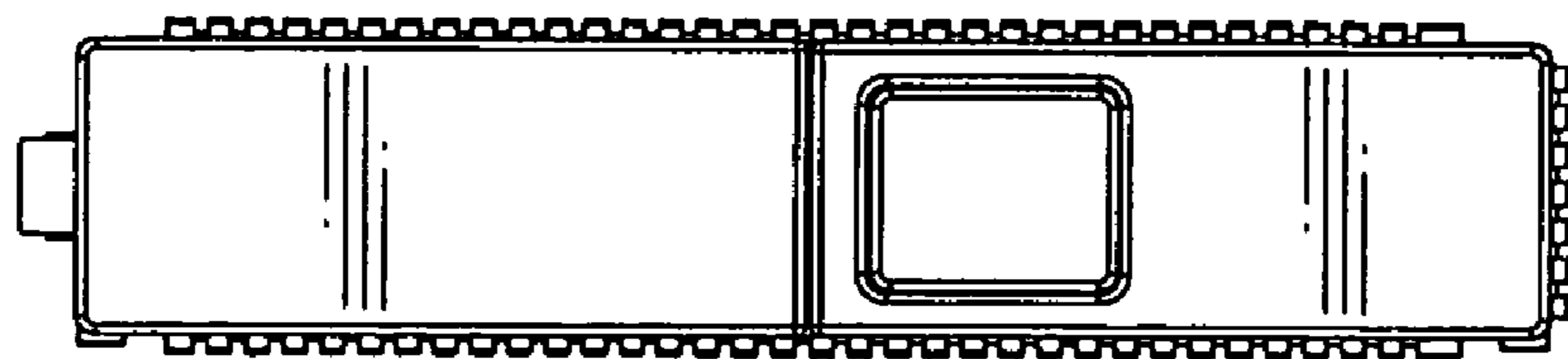


FIG. 4

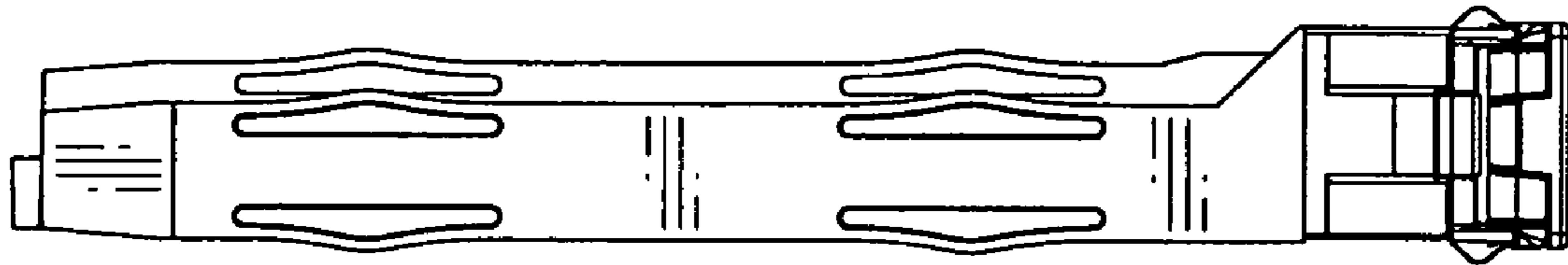


FIG. 5

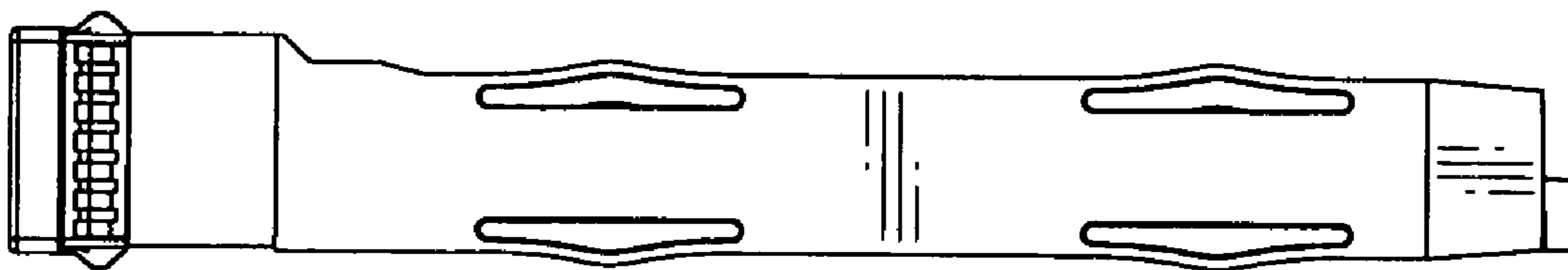


FIG. 6