



US00D556198S

(12) **United States Design Patent** (10) **Patent No.:** **US D556,198 S**
Blankenship et al. (45) **Date of Patent:** **** Nov. 27, 2007**

(54) **MODULAR FLASH DRIVE HOUSING**

(75) Inventors: **Tren Blankenship**, White Bear Lake, MN (US); **Steven C. Swenson**, Champlin, MN (US)

(73) Assignee: **Imation Corp.**, Oakdale, MN (US)

(**) Term: **14 Years**

(21) Appl. No.: **29/254,246**

(22) Filed: **Feb. 16, 2006**

(51) **LOC (8) Cl.** **14-02**

(52) **U.S. Cl.** **D14/356**

(58) **Field of Classification Search** D14/137,
D14/156, 167, 240, 242, 299, 348, 356, 384,
D14/385, 402, 432-5, 496; 257/315; 439/518,
439/139, 141, 144, 140, 638; 365/63, 131;
710/74, 62; 361/685-6

See application file for complete search history.

(56) **References Cited**

U.S. PATENT DOCUMENTS

D406,588 S *	3/1999	Sogabe	D14/156
D419,978 S *	2/2000	Mah	D14/432
6,539,400 B1 *	3/2003	Bloomfield et al.	707/104.1
6,612,853 B2 *	9/2003	Wu	439/136
D487,259 S *	3/2004	Obata	D14/167
6,758,688 B2 *	7/2004	Chen	439/135
D501,485 S *	2/2005	Lian et al.	D14/496
6,860,609 B2 *	3/2005	Olson et al.	353/122
D513,005 S *	12/2005	Kobayakawa	D14/435
D519,503 S *	4/2006	Aqqad et al.	D14/356
7,094,078 B2 *	8/2006	Okada	439/135
D531,118 S *	10/2006	Krieger et al.	D13/108
D538,795 S *	3/2007	Wong et al.	D14/240

OTHER PUBLICATIONS

D14 PDF Search: assortment.pdf—http://img.alibaba.com/photo/11493648/USB_Flash_Drive.jpg, Nov. 16, 2006.*

Sony VAIO Bluetooth USB Dongle_PCGABA2_buy Sony VAIO Bluetooth USB Dongle_re.pdf—<http://www.mediaatlantic.com/product.php/87031/1150//ab7e3297de3ab0ee39e2b2d1ff306627>, Dec. 6, 2006.*

usb_box.pdf—<http://www.imagegroupinc.ca/index.php?id=29>, Nov. 16, 2006.*

* cited by examiner

Primary Examiner—Robin Webster

Assistant Examiner—Karen E Kearney

(74) *Attorney, Agent, or Firm*—Eric D. Levinson

(57) **CLAIM**

The ornamental design for a modular flash drive housing, as shown and described.

DESCRIPTION

FIG. 1 is a perspective view of a modular flash drive housing illustrating the new design;

FIG. 2 is a top side view thereof;

FIG. 3 is a bottom side view thereof;

FIG. 4 is a front side view thereof; where a back side view is not presented, as it is a mirror image of the front side view;

FIG. 5 is a right side view thereof;

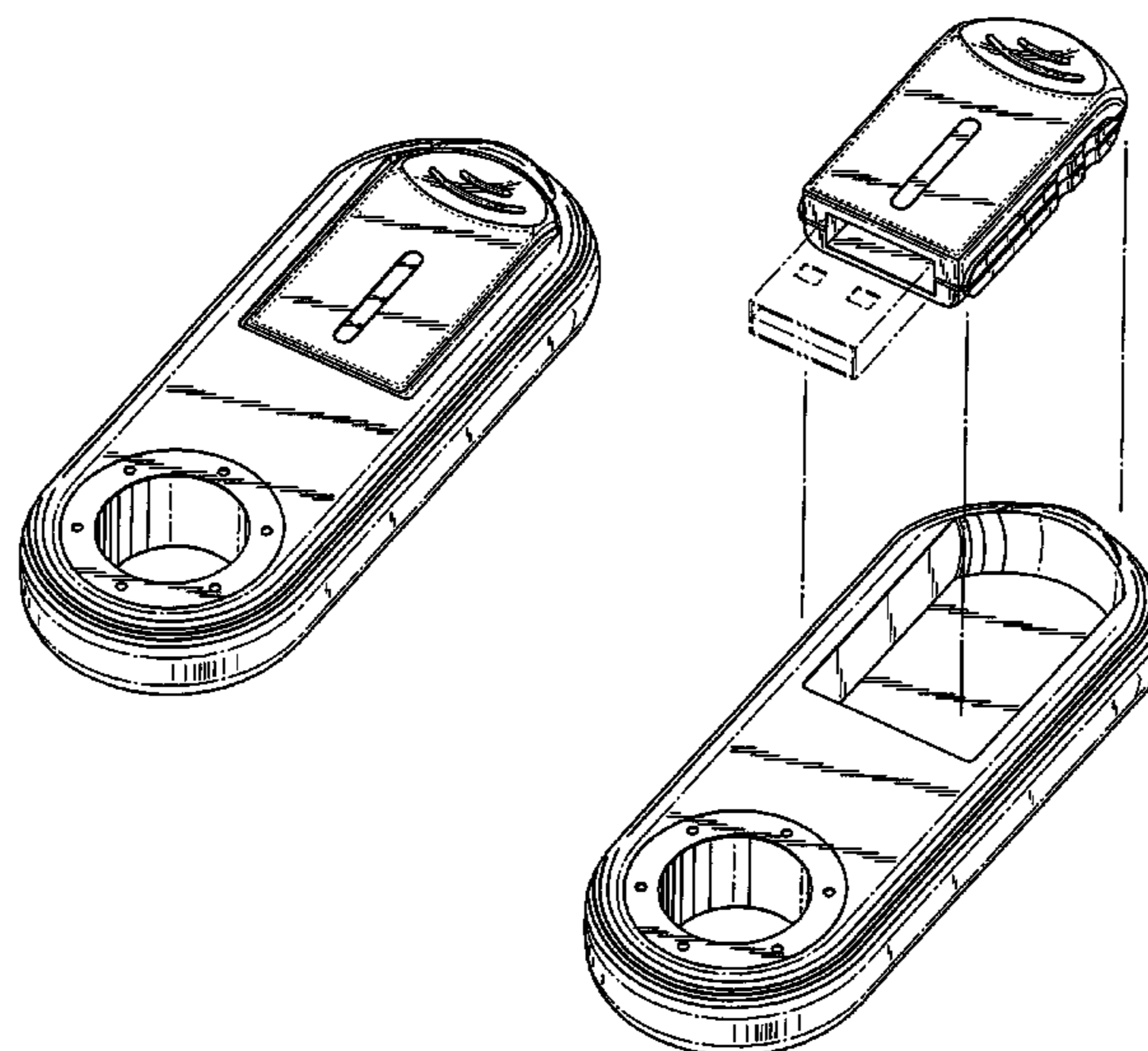
FIG. 6 is a left side view thereof; and,

FIG. 7 is an exploded perspective view of the modular flash drive housing illustrating the new design.

In FIGS. 1, 2 and 7, the broken lines illustrating a texture area of the flash drive portion are for illustrative purposes only and form no part of the claimed design.

In FIG. 7, the broken lines illustrating a data port of the flash drive portion are for illustrative purposes only and form no part of the claimed design.

1 Claim, 4 Drawing Sheets



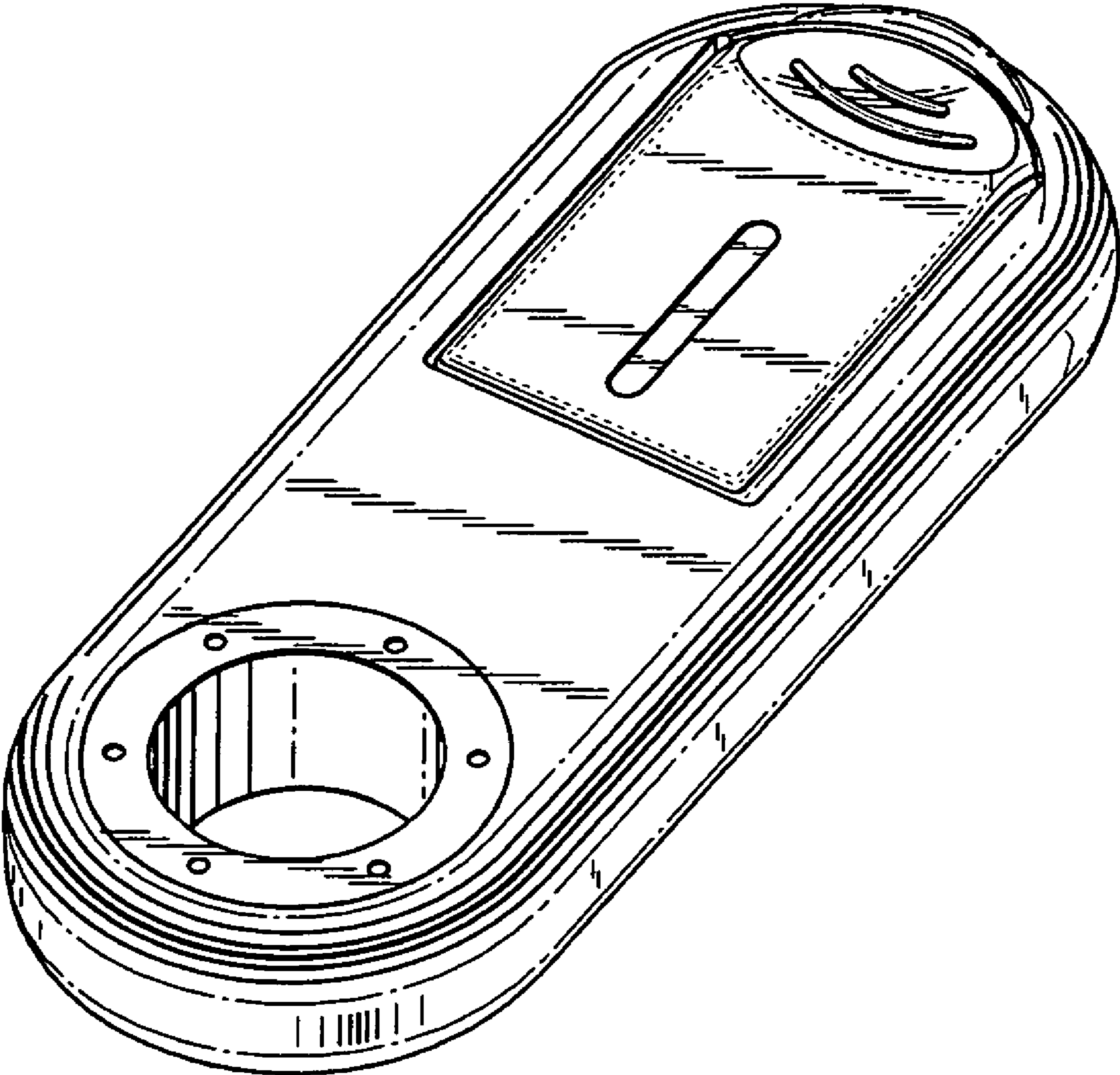


Fig. 1

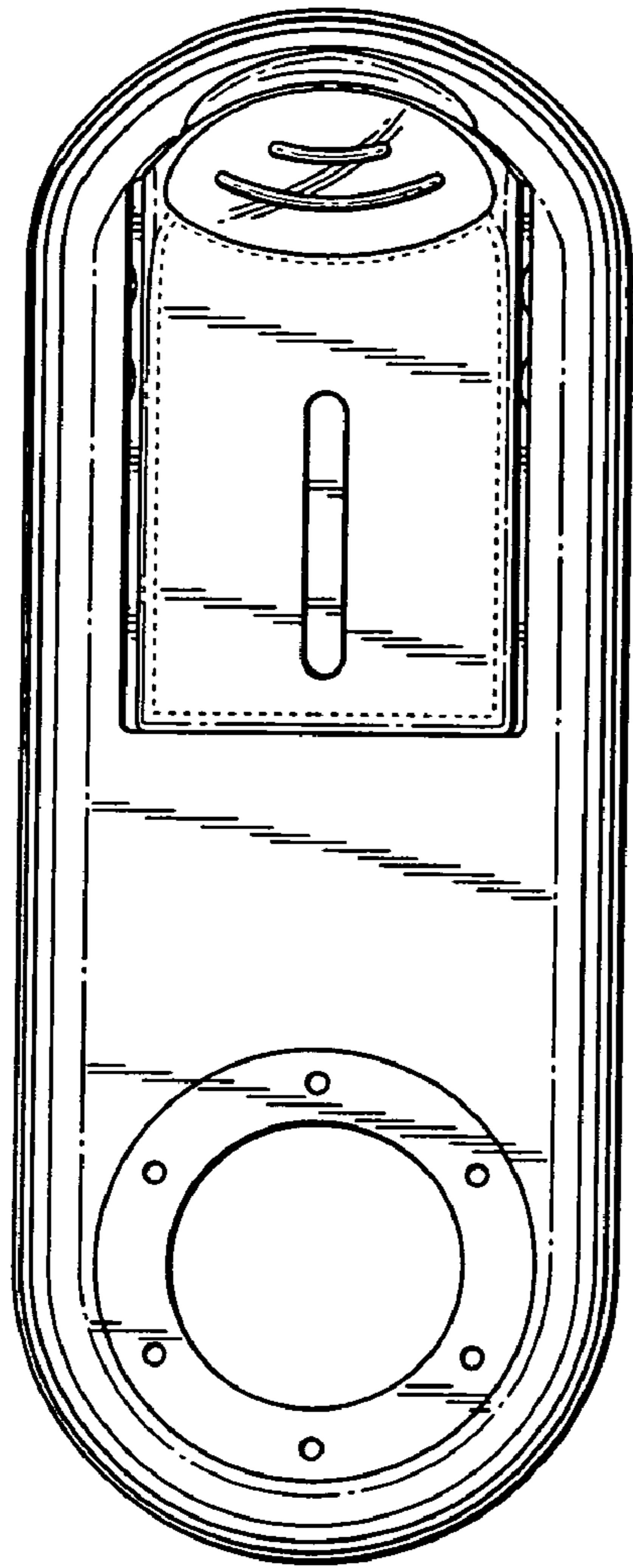


Fig. 2

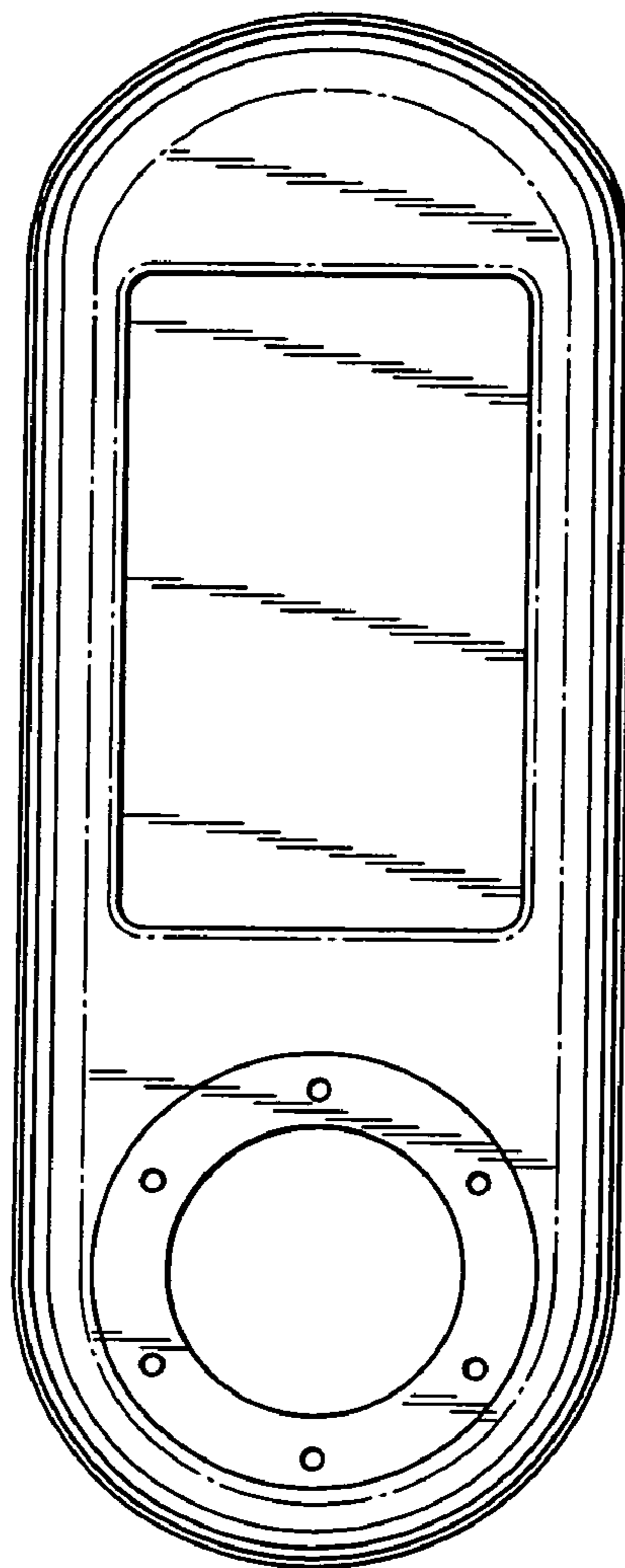


Fig. 3

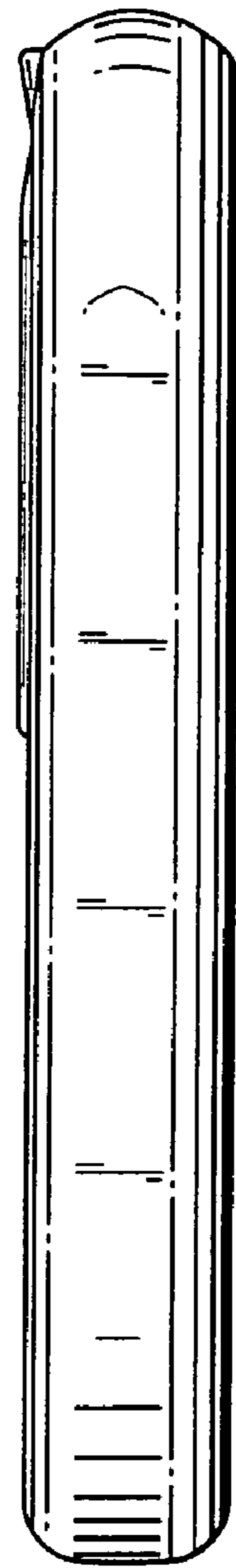


Fig. 4

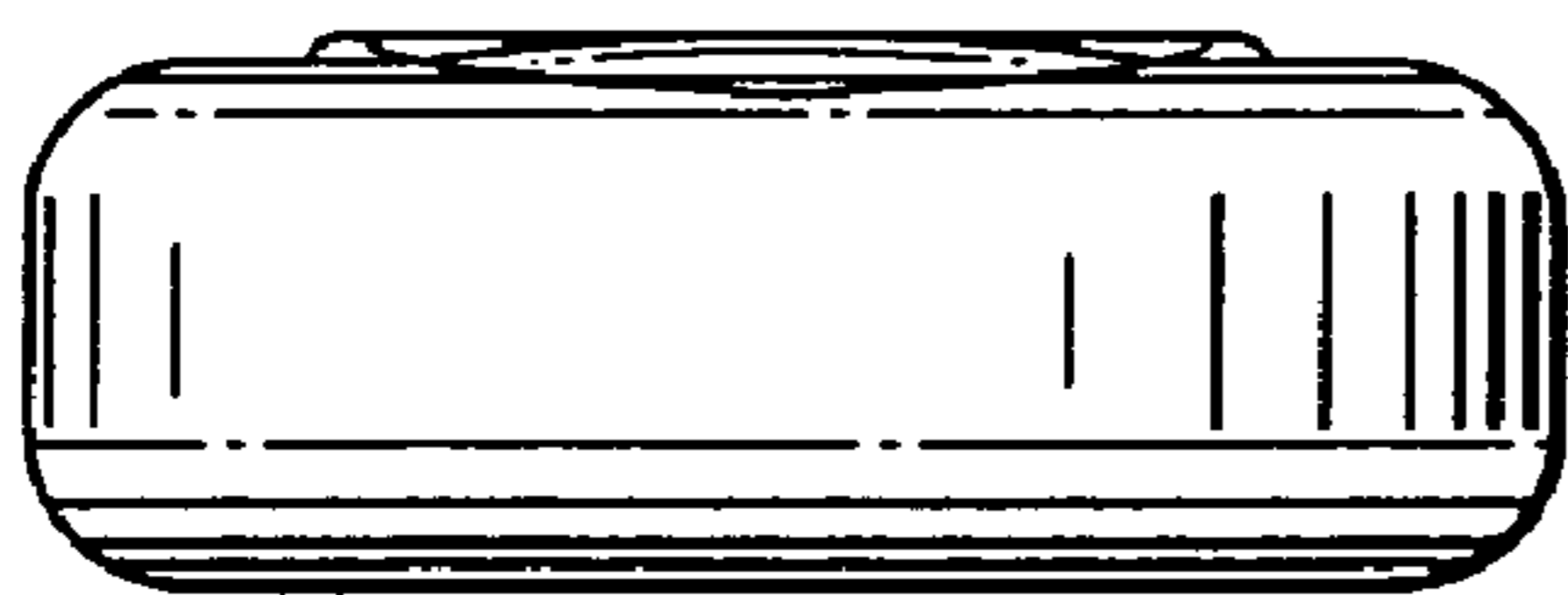


Fig. 5

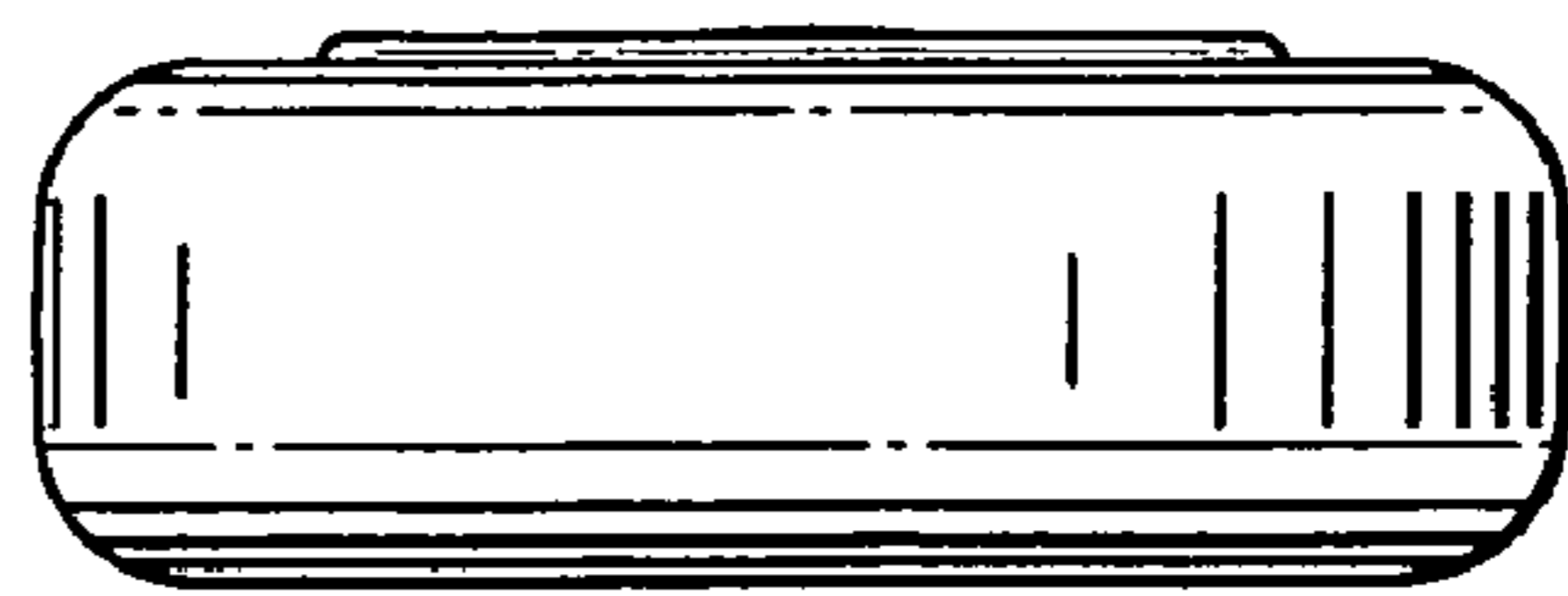


Fig. 6

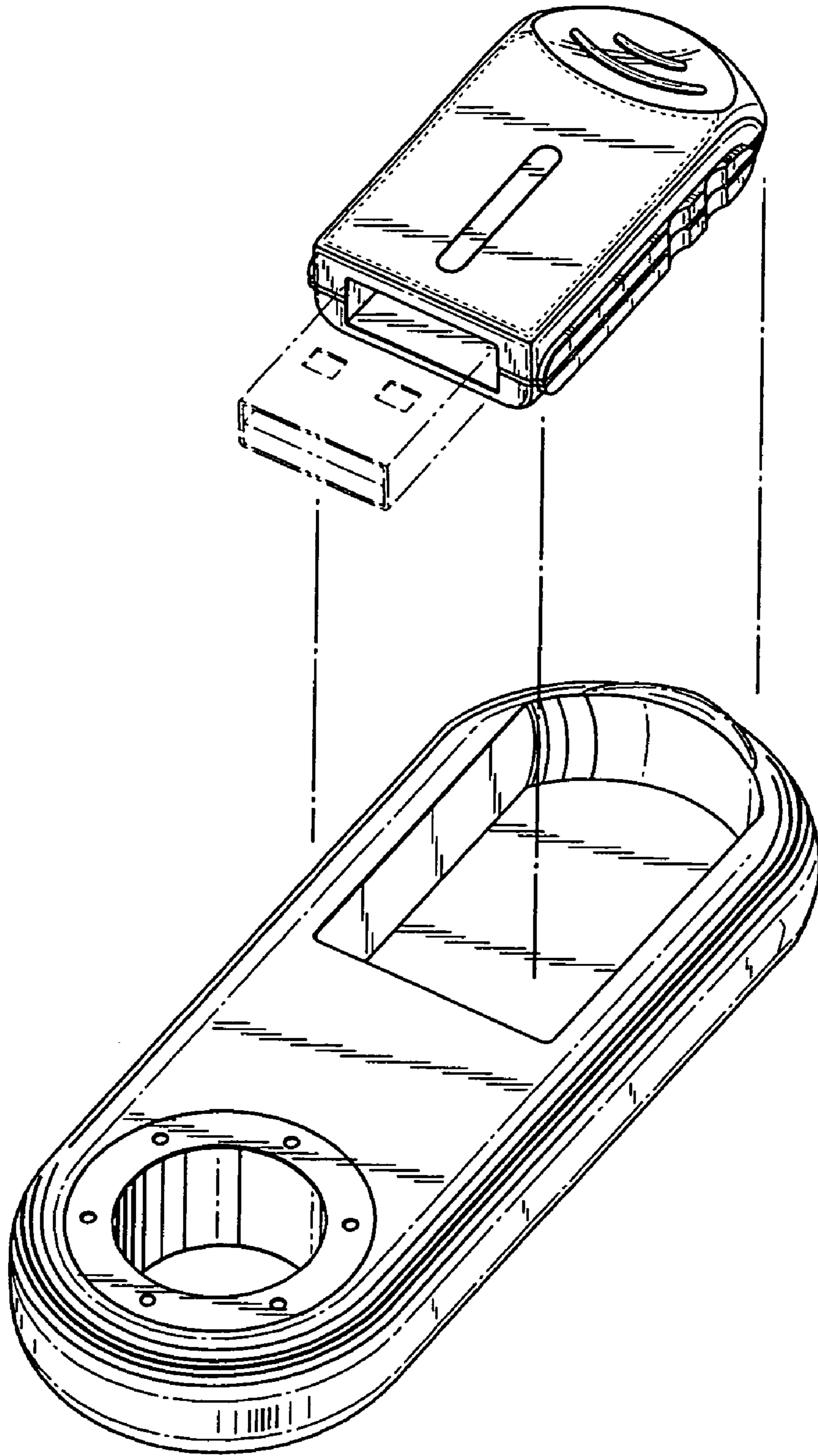


Fig. 7