



US00D556197S

(12) **United States Design Patent** (10) **Patent No.:** **US D556,197 S**  
**Blankenship et al.** (45) **Date of Patent:** **\*\* Nov. 27, 2007**

(54) **PIVOT FLASH DRIVE HOUSING**

(75) Inventors: **Tren Blankenship**, White Bear Lake, MN (US); **Steven C. Swenson**, Champlin, MN (US)

(73) Assignee: **Imation Corp.**, Oakdale, MN (US)

(\*\*) Term: **14 Years**

(21) Appl. No.: **29/254,228**

(22) Filed: **Feb. 16, 2006**

(51) **LOC (8) Cl.** ..... **14-02**

(52) **U.S. Cl.** ..... **D14/356**

(58) **Field of Classification Search** ..... D14/137, D14/156, 167, 240, 242, 299, 348, 356, 384-385, D14/402, 432-5, 496; 439/518, 139, 141, 439/144, 140, 638; 365/131; 710/74, 62  
See application file for complete search history.

(56) **References Cited**

**U.S. PATENT DOCUMENTS**

D446,511 S *	8/2001	Kanno et al. ....	D14/167
6,539,400 B1 *	3/2003	Bloomfield et al. ....	707/104.1
6,612,853 B2 *	9/2003	Wu .....	439/136
D486,484 S *	2/2004	Bloomberg et al. ....	D14/248
D494,575 S *	8/2004	Wikel et al. ....	D14/240
D500,301 S *	12/2004	Deguchi .....	D14/167
D506,199 S *	6/2005	Huang et al. ....	D14/408
D513,005 S *	12/2005	Kobayakawa .....	D14/435
D514,560 S *	2/2006	Brown et al. ....	D14/356
D520,991 S *	5/2006	Ma et al. ....	D14/240
7,146,667 B2 *	12/2006	Elsener .....	7/118
7,223,574 B2 *	5/2007	Lei et al. ....	435/135
2007/0054522 A1 *	3/2007	Choi et al. ....	439/144

**OTHER PUBLICATIONS**

D14 PDF Search: Rotatable Card Reader Manufacturer.pdf—<http://www.globalsources.com/gsol/1/Memorycard/p/bg/1001397133.htm>, Jan. 8, 2007.\*

Mr. Gadget Australia\_ Toshiba Transmemory USB Flash Drives are here?.pdf—<http://www.mrgadget.com.au/2004/11/toshiba-transmemory-usb-flash-drives.html>, Jan. 22, 2007.\*

Functional Keychains\_ USB Rechargeable Keychain Light. pdf—<http://web.archive.org/web/20051226115851/http://www.promotionalkeychains.biz/usb-keychain-light.html>, Dec. 6, 2006.\*

\* cited by examiner

*Primary Examiner*—Robin Webster

*Assistant Examiner*—Karen E Kearney

(74) *Attorney, Agent, or Firm*—Eric D. Levinson

(57) **CLAIM**

The ornamental design for a pivot flash drive housing, as shown and described.

**DESCRIPTION**

FIG. 1 is a perspective view of a pivot flash drive housing illustrating the new design;

FIG. 2 is a front side view thereof;

FIG. 3 is a rear side view thereof;

FIG. 4 is a top side view thereof;

FIG. 5 is a bottom side view thereof;

FIG. 6 is a right side view thereof;

FIG. 7 is a left side view thereof; and,

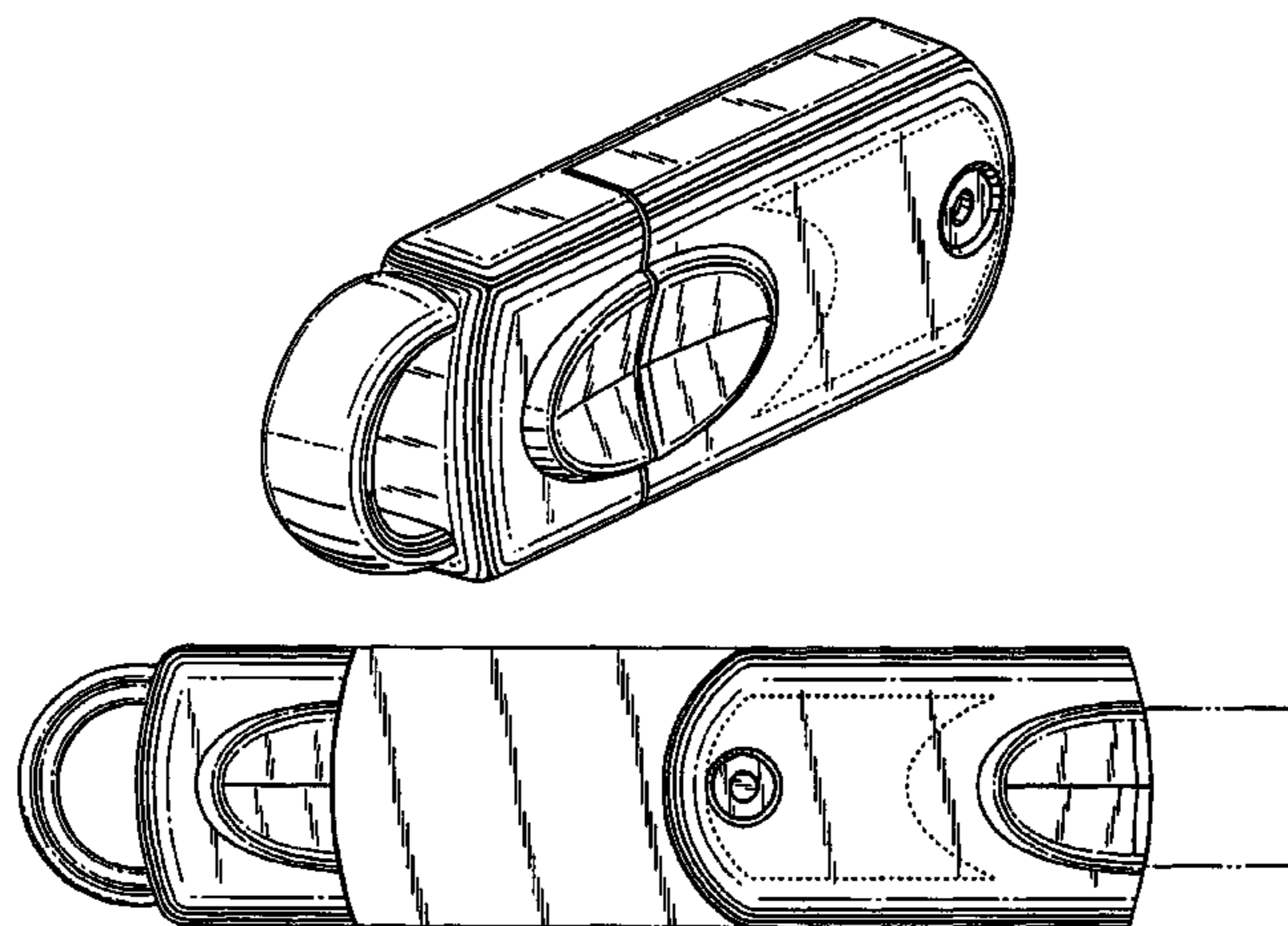
FIG. 8 is a perspective view of a pivot flash drive housing illustrating a deployed data port of a flash drive portion of the new design.

In FIGS. 1, 2 and 8, the broken lines illustrating a texture area of the flash drive portion are for illustrative purposes only and form no part of the claimed design.

In FIG. 5, the broken lines illustrating a button on the pivot flash drive housing are for illustrative purposes only and form no part of the claimed design.

In FIGS. 5 and 8, the broken lines illustrating a data port of the flash drive portion are for illustrative purposes only and form no part of the claimed design.

**1 Claim, 4 Drawing Sheets**



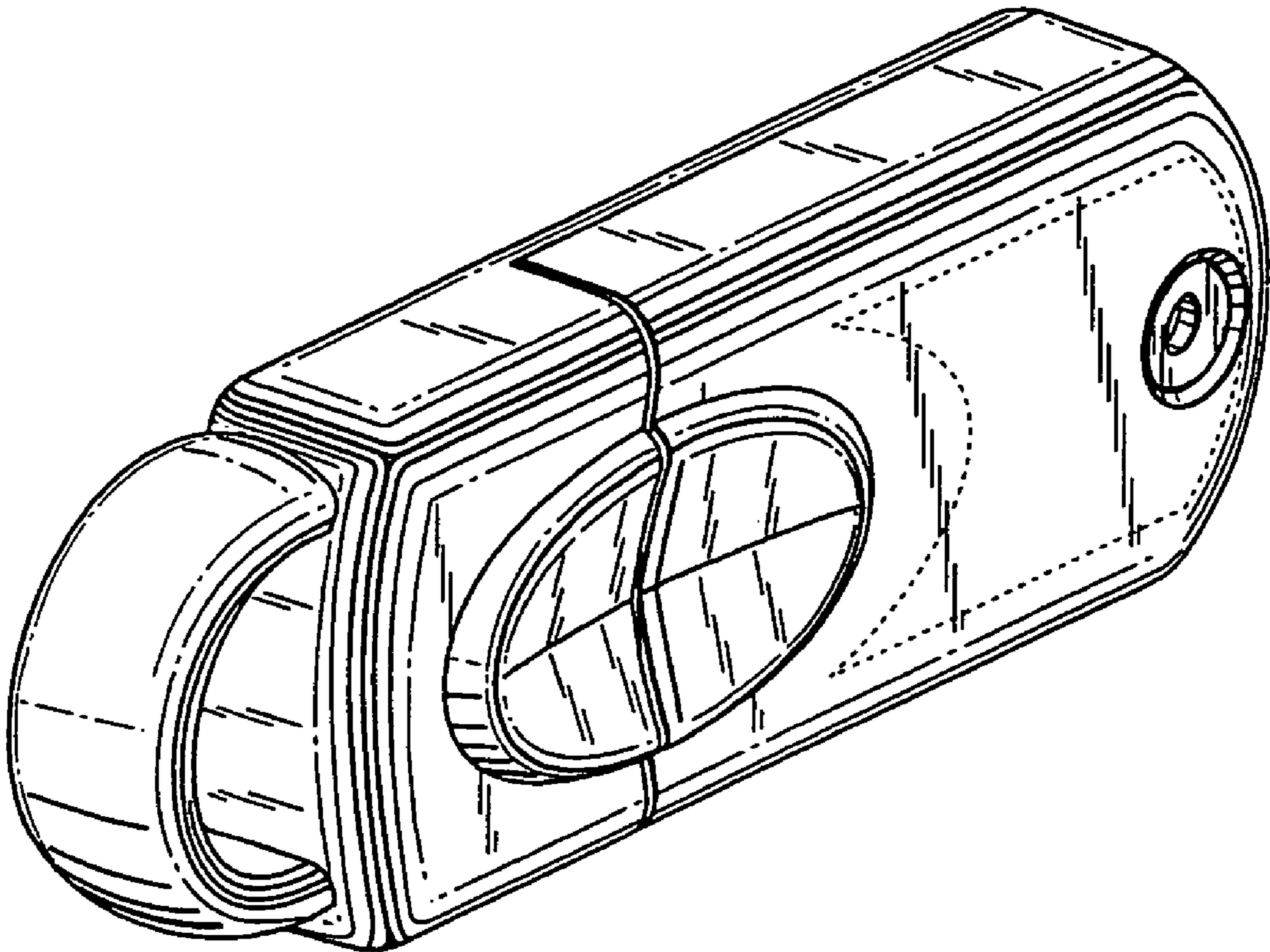
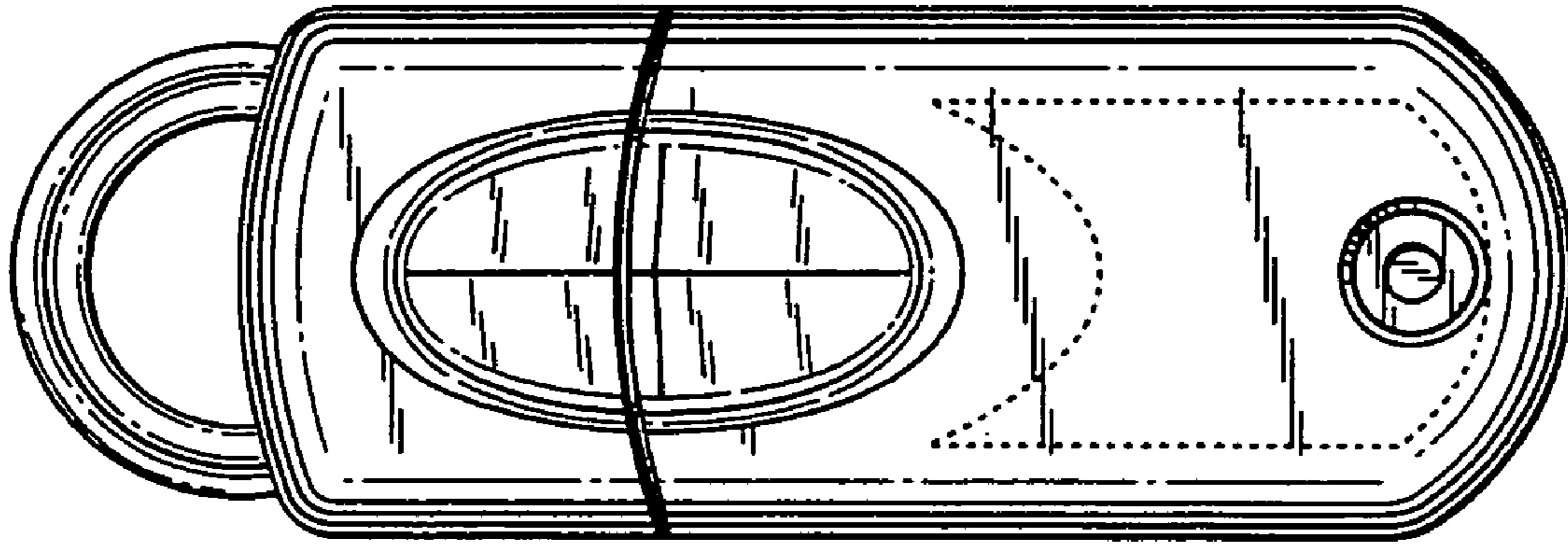
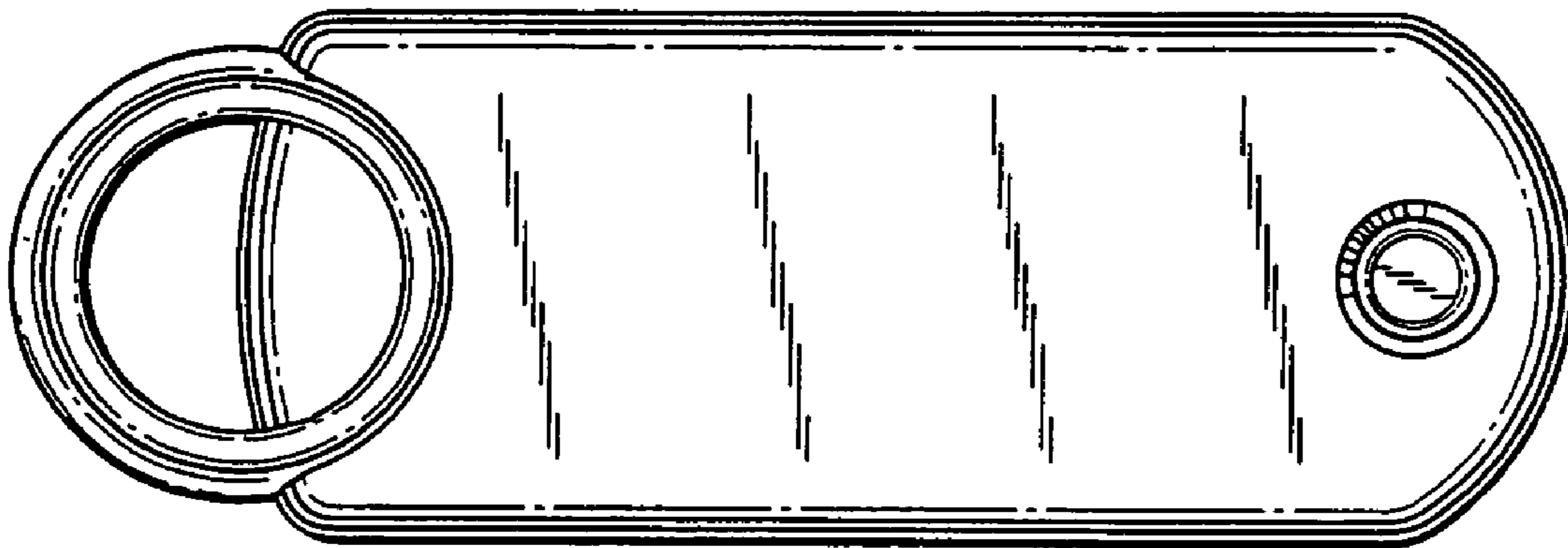


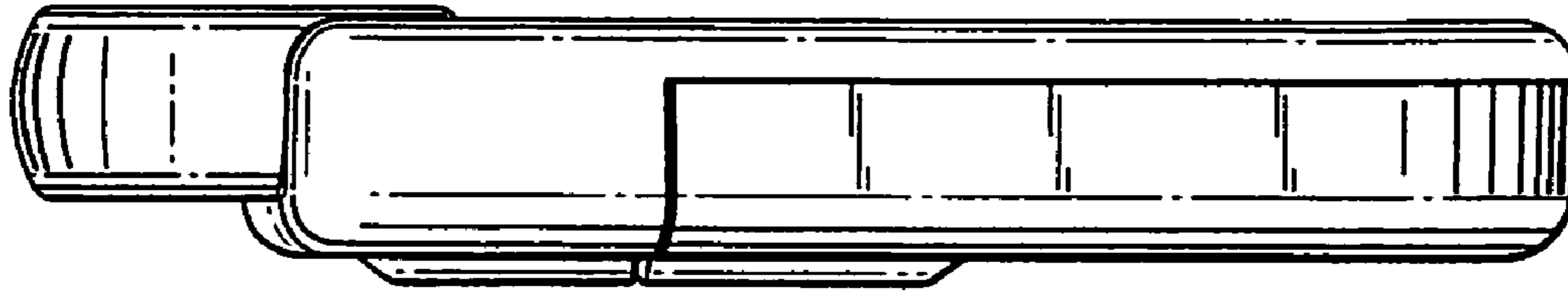
Fig. 1



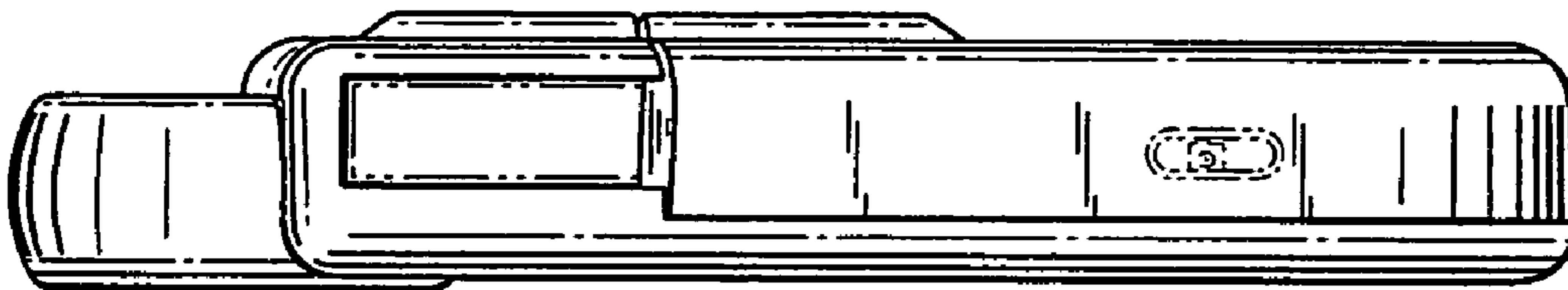
**Fig. 2**



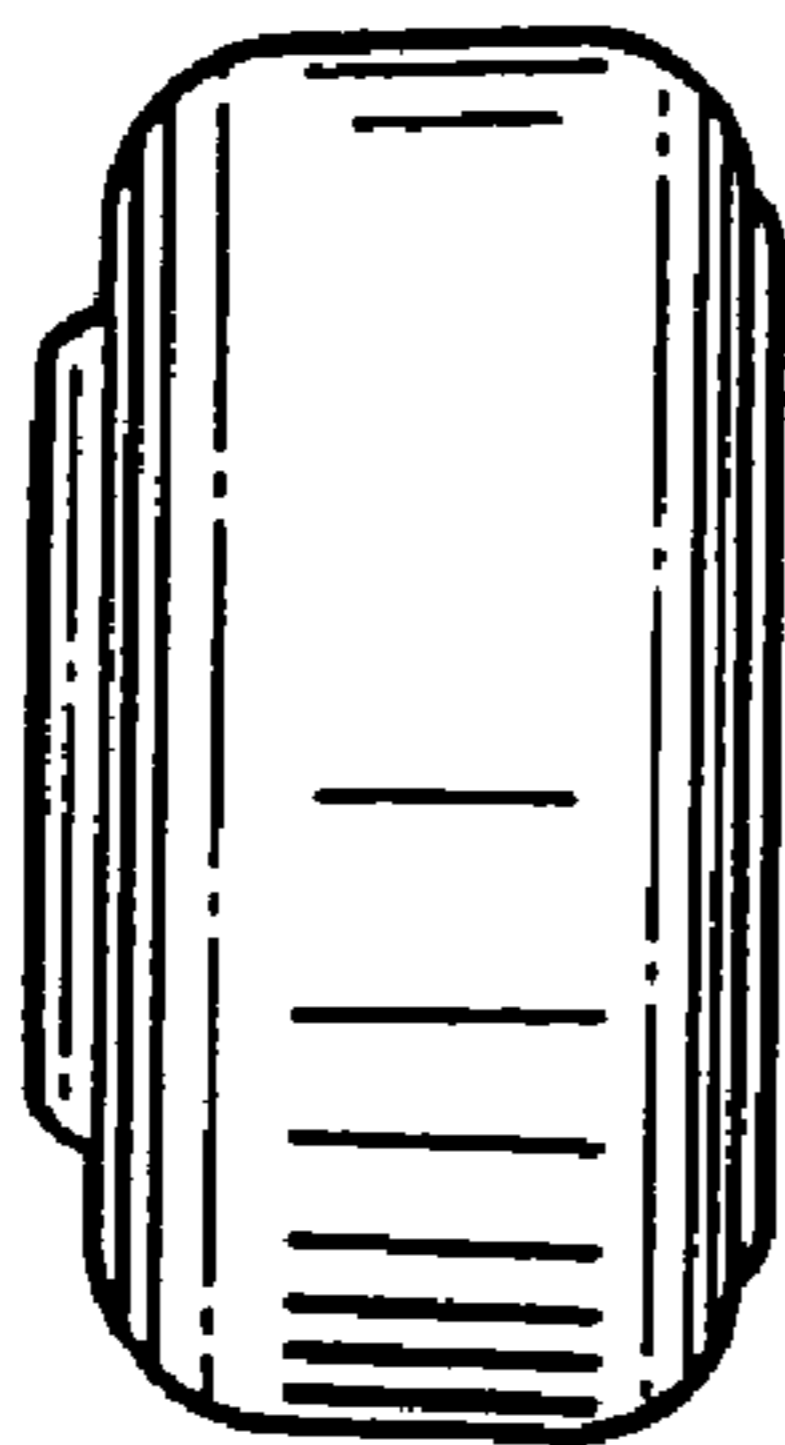
**Fig. 3**



**Fig. 4**



**Fig. 5**



**Fig. 6**



**Fig. 7**

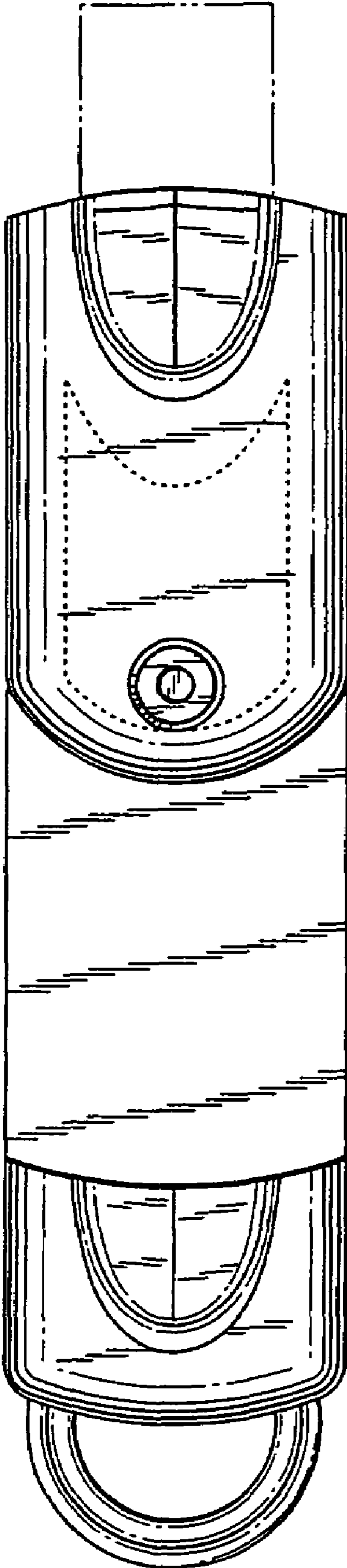


Fig. 8