



US00D556195S

(12) **United States Design Patent**
Lin

(10) **Patent No.:** **US D556,195 S**

(45) **Date of Patent:** **** Nov. 27, 2007**

(54) **COMBINED STORAGE DEVICE AND CAMERA**

(75) Inventor: **Tsung-Chi Lin**, Taipei (TW)

(73) Assignee: **Inventec Multimedia & Telecom Corporation**, Taipei (TW)

(**) Term: **14 Years**

(21) Appl. No.: **29/251,013**

(22) Filed: **Jan. 4, 2006**

(51) **LOC (8) Cl.** **14-02**

(52) **U.S. Cl.** **D14/356; D16/208**

(58) **Field of Classification Search** D14/137,
D14/156, 167, 240, 242, 299, 348, 356, 384-5,
D14/402, 432-5, 496; 257/315; 439/518,
439/139, 141, 144, 140, 638; 365/63, 131;
710/74, 62; 361/685-6; D16/200, 208,
D16/211

See application file for complete search history.

(56) **References Cited**

U.S. PATENT DOCUMENTS

| | | | | |
|----------------|--------|-----------------|-------|---------|
| D296,440 S * | 6/1988 | Smith et al. | | D14/432 |
| D419,537 S * | 1/2000 | Rodriguez | | D14/385 |
| D472,885 S * | 4/2003 | Kataoka | | D14/167 |
| D473,207 S * | 4/2003 | Tanio | | D14/168 |
| 6,618,243 B1 * | 9/2003 | Tirosh | | 361/683 |
| D486,469 S * | 2/2004 | Morita | | D14/168 |
| D490,068 S * | 5/2004 | Chen | | D14/156 |
| D518,064 S * | 3/2006 | Wei | | D14/496 |
| D520,995 S * | 5/2006 | Chang | | D14/356 |
| D534,938 S * | 1/2007 | Beasley et al. | | D16/208 |
| D534,939 S * | 1/2007 | Sheehan et al. | | D16/208 |
| D543,553 S * | 5/2007 | Langberg et al. | | D14/496 |

2003/0223286 A1* 12/2003 Lee 365/200

OTHER PUBLICATIONS

PDF Search: USB Wrist Band.pdf—http://joyplus.en.alibaba.com/product/50166650/51137995/USB_Flash_Drives/USB_Wrist_Band/showing.html, Dec. 13, 2006.*
imation_flipcover.pdf—<http://www.sosoft.net/product/imation/5464-3.png>, Dec. 4, 2006.*
Functional Keychains_ USB Rechargeable Keychain Light.pdf—<http://web.archive.org/web/20051226115851/http://www.promotionalkeychains.biz/usb-keychain-light.html>, Dec. 26, 2005.*
0526_01a_NPL.pdf—<http://www.swissbit.com/>, Sep. 27, 2005.*

* cited by examiner

Primary Examiner—Robin Webster

Assistant Examiner—Karen E Kearney

(74) *Attorney, Agent, or Firm*—Rabin & Berdo, P.C.

(57) **CLAIM**

The ornamental design for a “combined storage device and camera,” as shown and described.

DESCRIPTION

FIG. 1 is a top perspective view of a combined storage device and camera showing our new design;

FIG. 2 is a front view thereof;

FIG. 3 is a rear view thereof;

FIG. 4 is a left side view thereof;

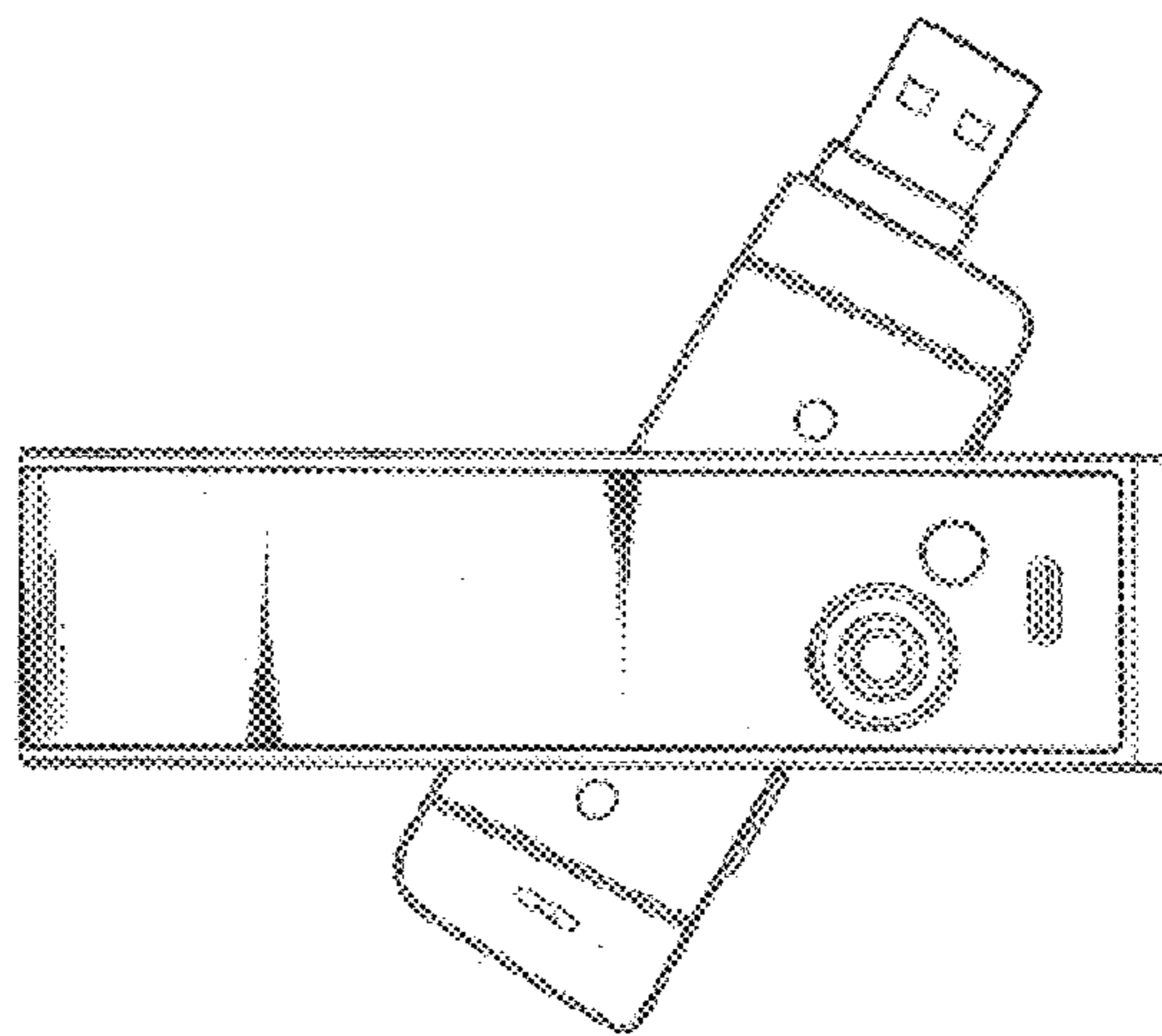
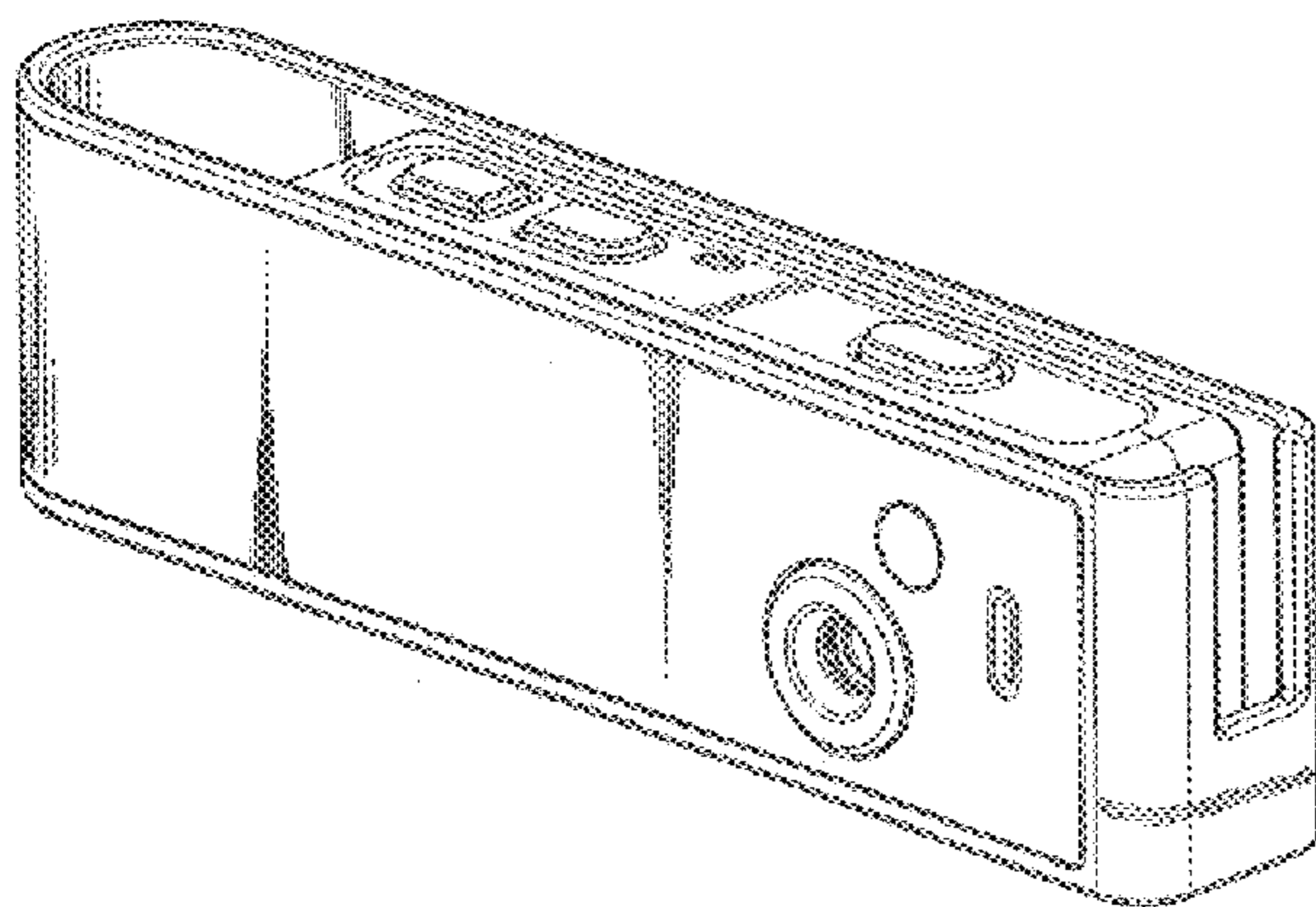
FIG. 5 is a right side view thereof;

FIG. 6 is a top view thereof;

FIG. 7 is a bottom view thereof; and,

FIG. 8 is a front view of a combined storage device and camera showing our new design in an alternate position.

1 Claim, 5 Drawing Sheets



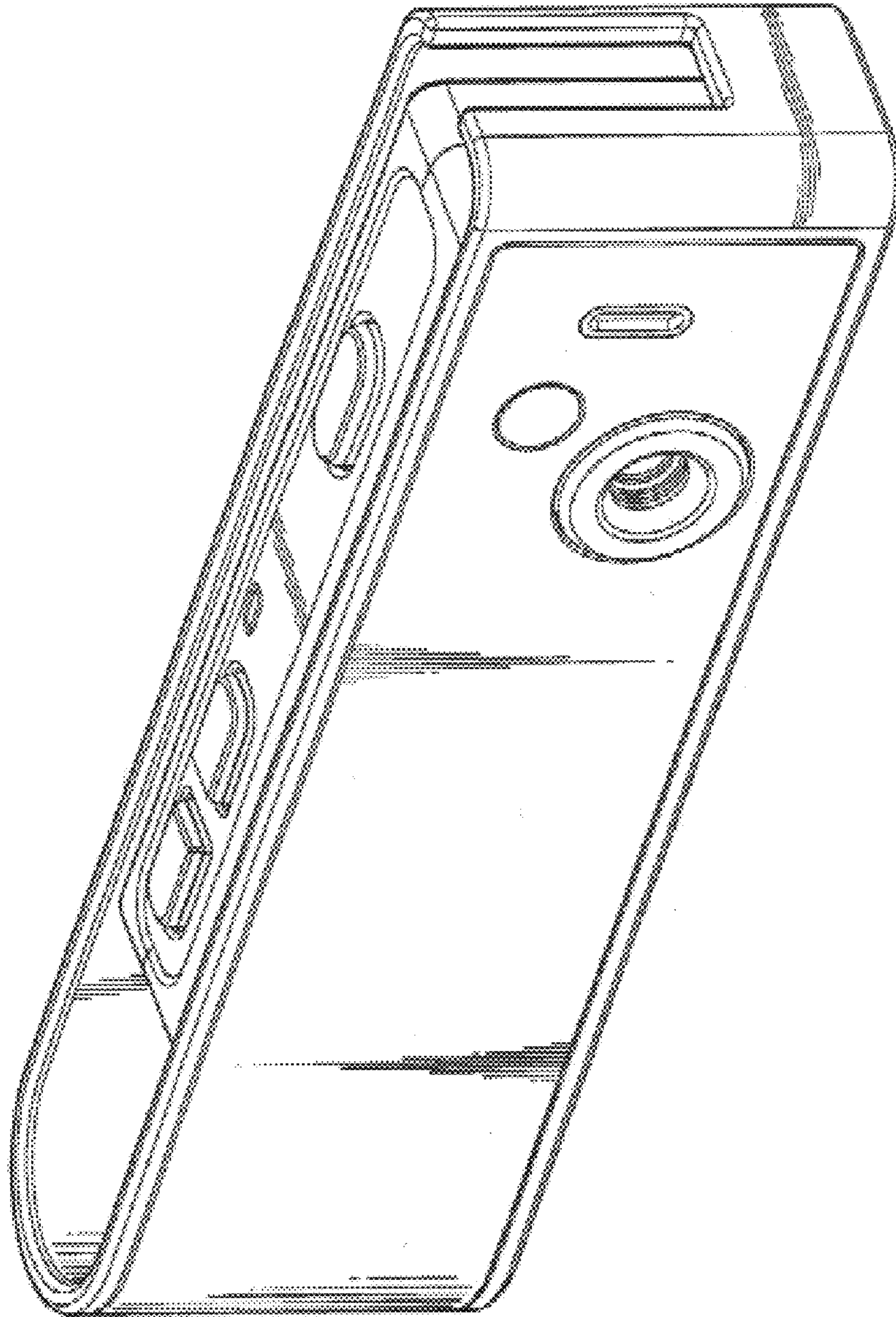


FIG.1

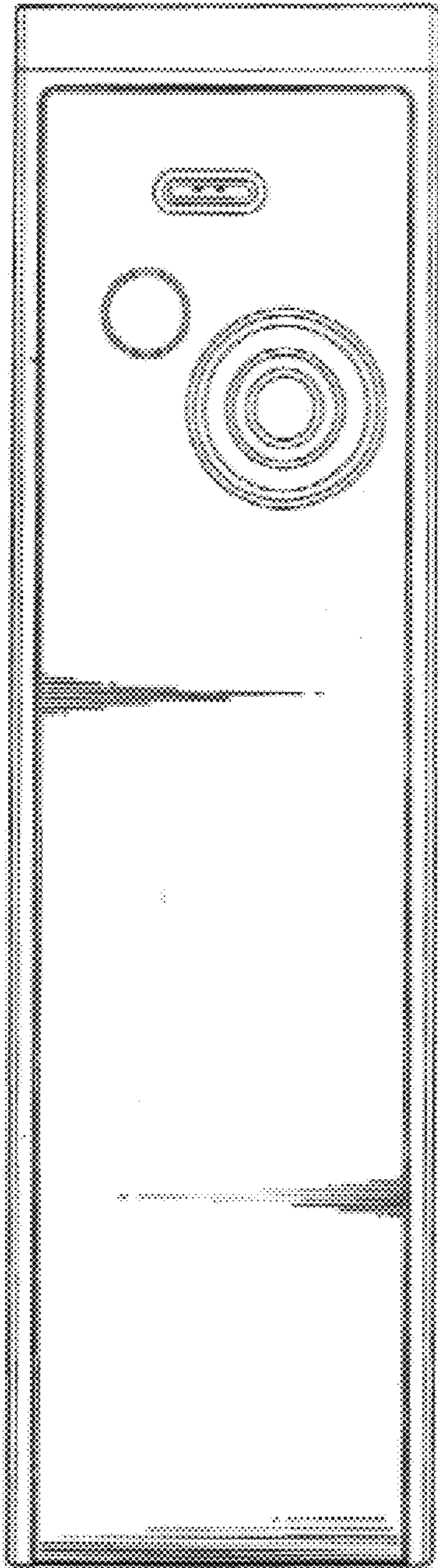


FIG. 2

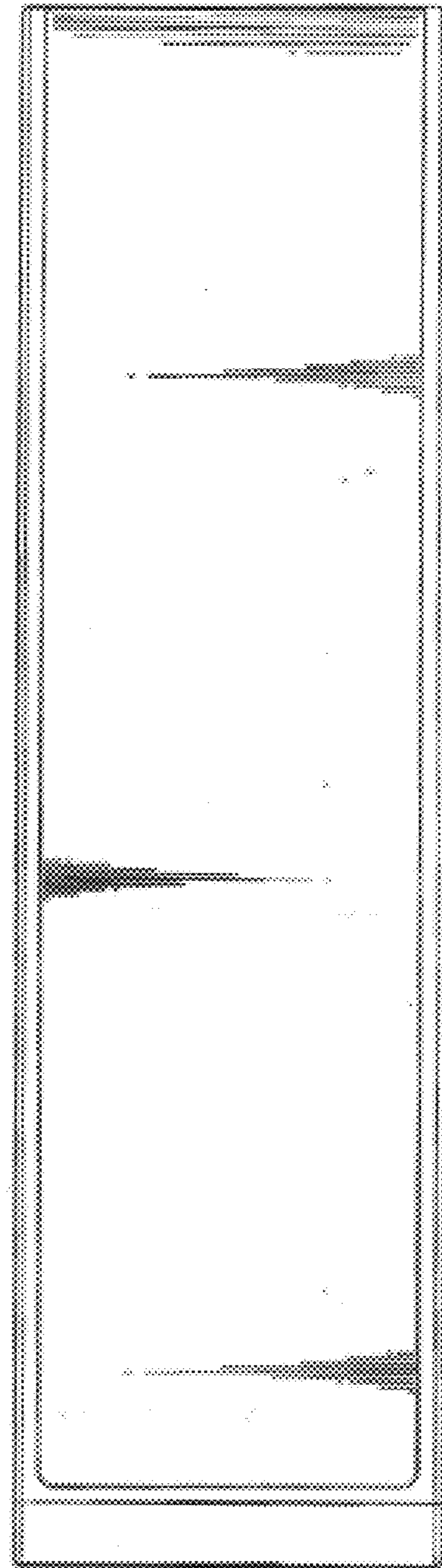


FIG. 3

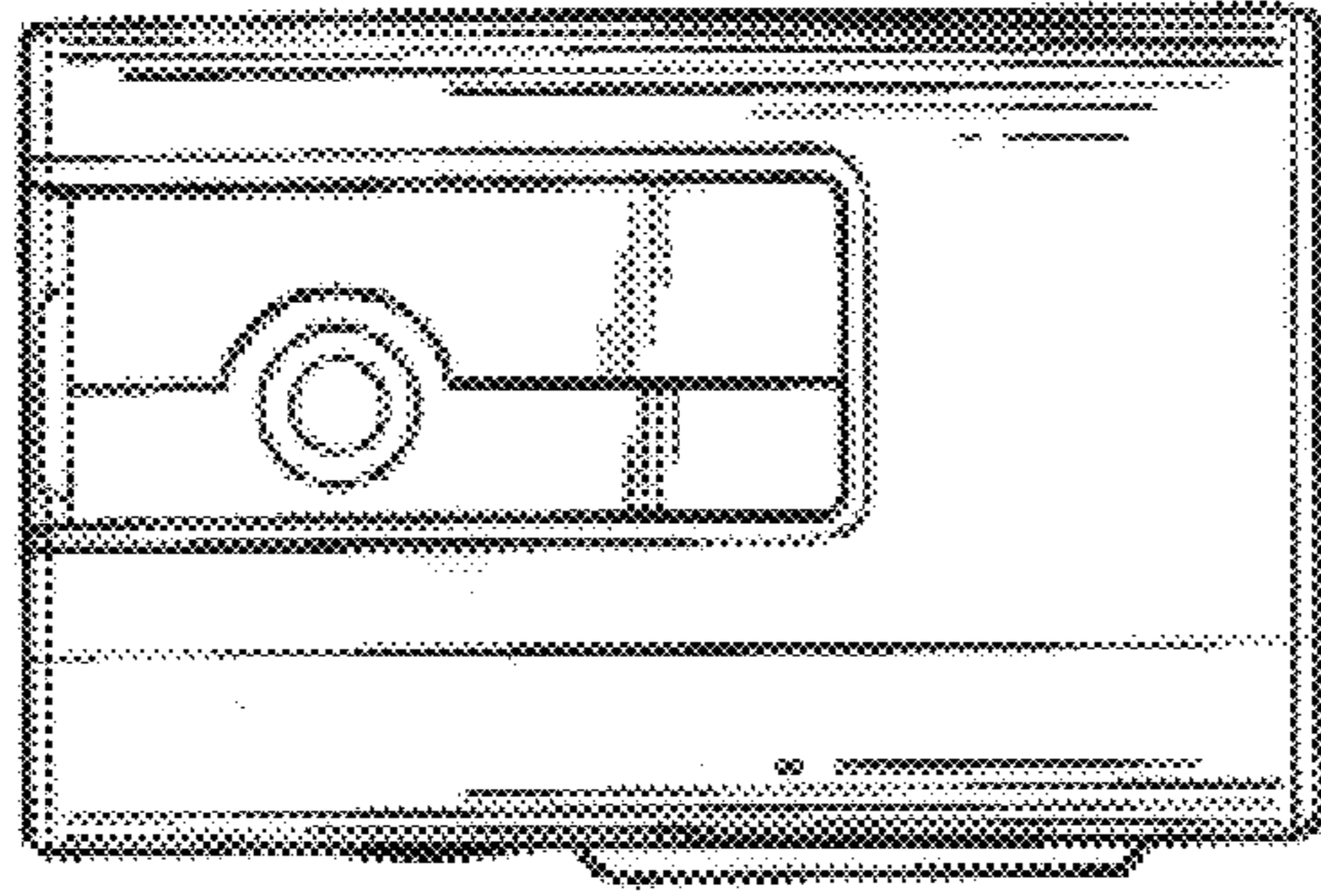


FIG. 5



FIG. 4

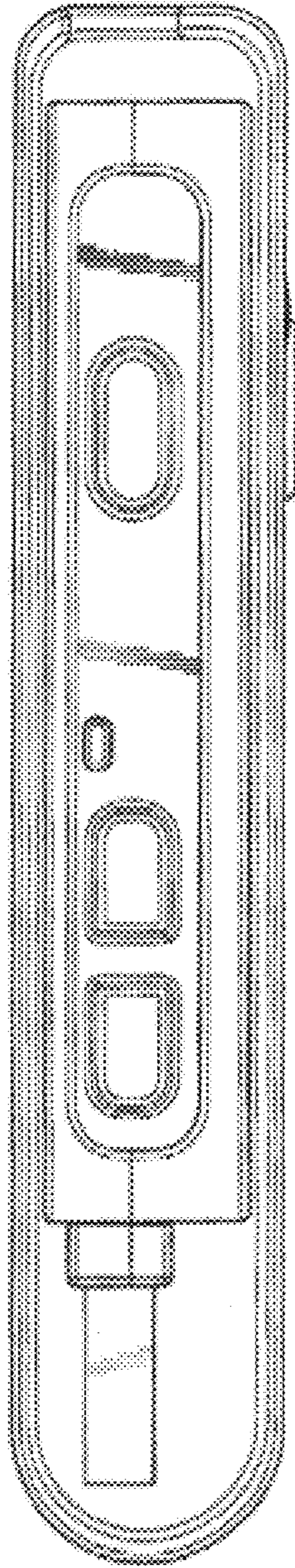


FIG. 6

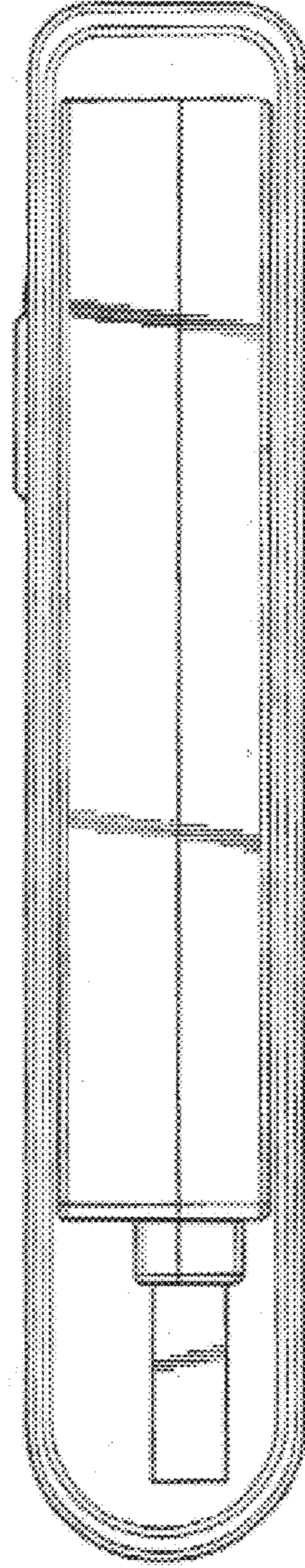


FIG. 7

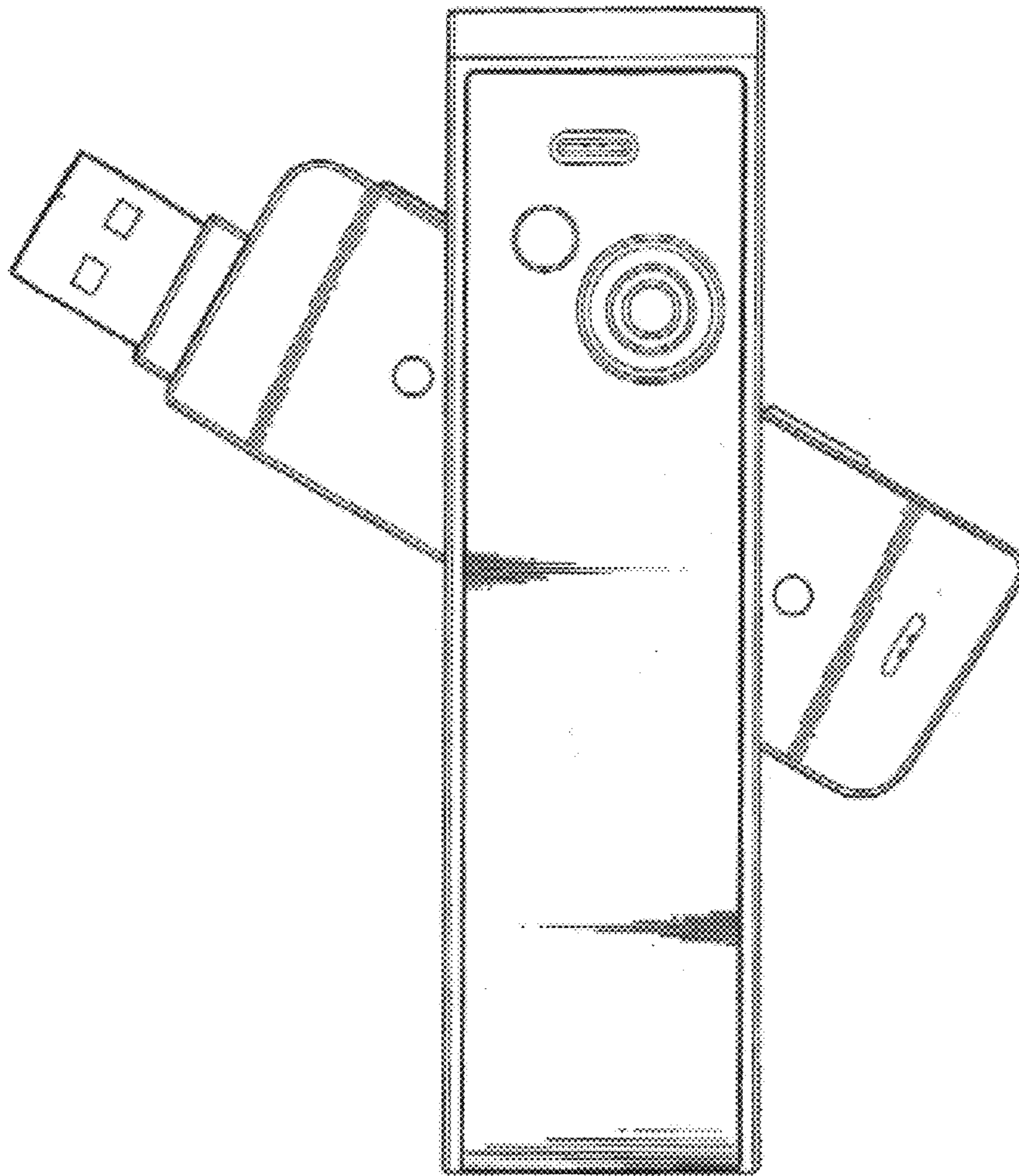


FIG. 8