

US00D556194S

(12) **United States Design Patent** (10) **Patent No.:** **US D556,194 S**  
**Rambosek et al.** (45) **Date of Patent:** **\*\* Nov. 27, 2007**

(54) **WRIST BAND DATA STORAGE DEVICE**

OTHER PUBLICATIONS

(75) Inventors: **G. Phillip Rambosek**, Shafer, MN (US); **James L. Albrecht**, Wahpeton, ND (US)

D14 PDF Search: USB Bracelet.pdf—[http://blog.jempp.com.au/uploaded\\_images/printed-usb-bracelet-770743.jpg](http://blog.jempp.com.au/uploaded_images/printed-usb-bracelet-770743.jpg), Aug. 11, 2006, wristband.pdf—<http://web.archive.org/web/20060521094645/http://www.gadgetreporter.com/images/wristband.jpg>, May 21, 2006.\*

(73) Assignee: **Imation Corp.**, Oakdale, MN (US)

USB Flash Wristbands.pdf—[http://hongjing168.en.alibaba.com/product/50080805/50659447/Electronic\\_Products\\_Series/USB\\_Flash\\_Wristbands/showimg.html](http://hongjing168.en.alibaba.com/product/50080805/50659447/Electronic_Products_Series/USB_Flash_Wristbands/showimg.html), Dec. 13, 2006.\*

(\*\*) Term: **14 Years**

USB Wrist Band.pdf—[http://joyplus.en.alibaba.com/product/50166650/51137995/USB\\_Flash\\_Drives/USB\\_Wrist\\_Band/showimg.html](http://joyplus.en.alibaba.com/product/50166650/51137995/USB_Flash_Drives/USB_Wrist_Band/showimg.html), Dec. 13, 2006.\*

(21) Appl. No.: **29/238,543**

Dialog05 presents universal connections\_bracelet.pdf—<http://www.dialog05.com/objects/10.html>, Aug. 23, 2006.\*

(22) Filed: **Sep. 16, 2005**

(51) **LOC (8) Cl.** ..... **14-02**

\* cited by examiner

(52) **U.S. Cl.** ..... **D14/356; D11/2**

*Primary Examiner*—Robin Webster

(58) **Field of Classification Search** ..... D14/137, D14/156, 167, 240, 242, 299, 348, 356, 384–5, D14/402, 432–435, 496; 257/315; 439/518, 439/139, 141, 144, 140, 638; 365/63, 131; 710/74, 62; 361/685–6; D11/2–5, 14, 26, D11/9; D10/32; 63/3, 3.1, 3.2, 7, 15, 15.1, 63/15.9, 21; 224/175

*Assistant Examiner*—Karen E Kearney

(74) *Attorney, Agent, or Firm*—Eric D. Levinson

See application file for complete search history.

(57) **CLAIM**

The ornamental design for a wrist band data storage device, as shown and described.

(56) **References Cited**

**DESCRIPTION**

**U.S. PATENT DOCUMENTS**

291,519	A *	1/1884	Jones	63/7
D190,753	S *	6/1961	Brauchi	D11/5
3,656,247	A *	4/1972	Bushnell et al.	40/633
4,226,036	A *	10/1980	Krug	40/633
4,906,025	A *	3/1990	Schreindl	281/45
D348,403	S *	7/1994	Sener	D10/23
D350,351	S *	9/1994	Nakamura	D14/156
D459,352	S *	6/2002	Giovanniello	D14/402
6,471,091	B1 *	10/2002	Unverzagt	221/185
6,725,282	B1	4/2004	Grzybowski et al.	
6,769,038	B1	7/2004	Grzybowski et al.	
6,801,476	B2	10/2004	Gilmour	
D524,184	S *	7/2006	Watanabe	D11/5
D526,663	S *	8/2006	Bang	D14/496
2002/0105778	A1 *	8/2002	Harada	361/684
2005/0237704	A1 *	10/2005	Ceresoli	361/683

FIG. 1 is a bottom perspective view of a wrist band data storage device illustrating the new design;

FIG. 2 is a top perspective view thereof;

FIG. 3 is a right side view; where the left side view is not presented, as it is a mirror image of the right side view;

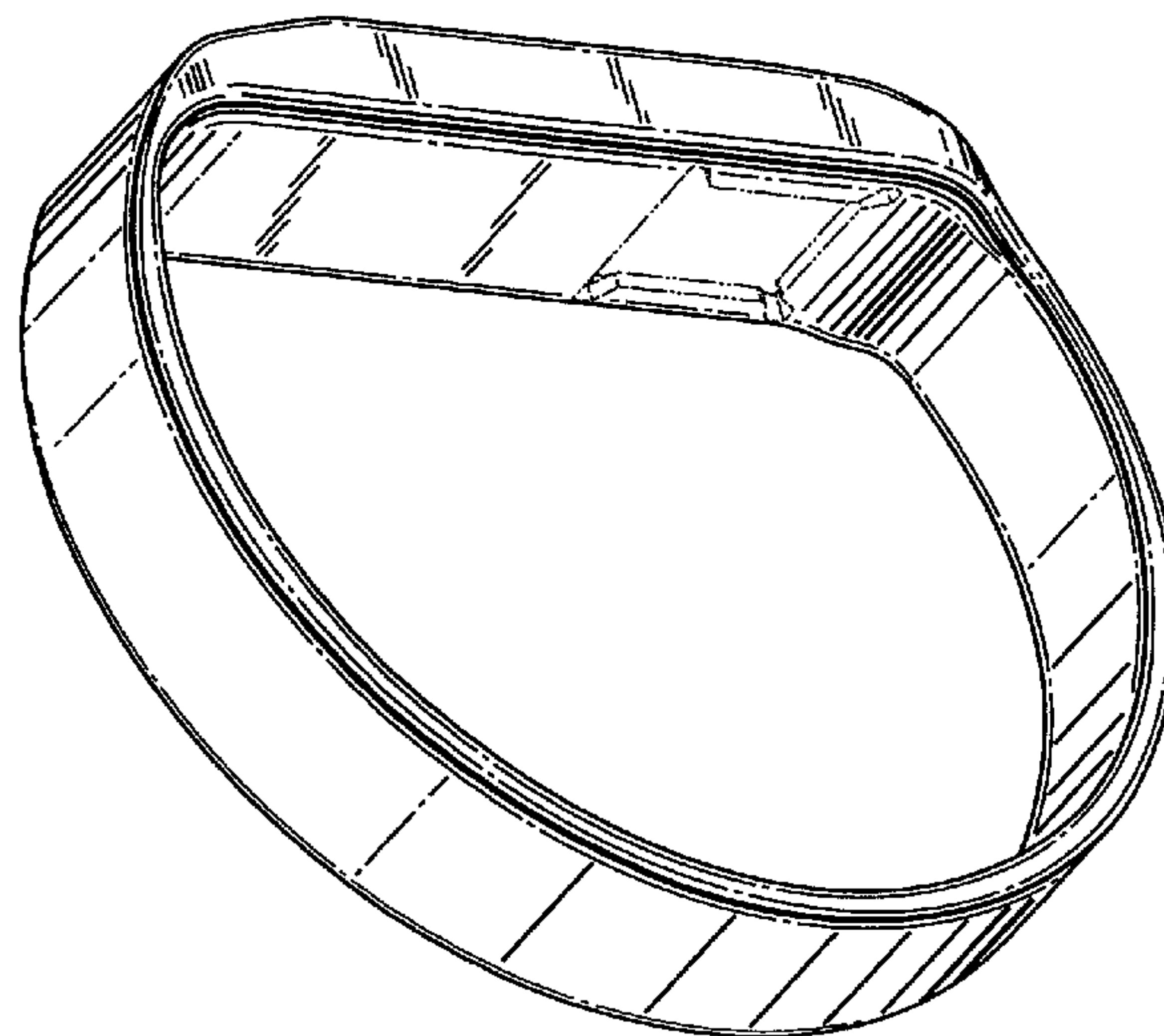
FIG. 4 is a top view thereof;

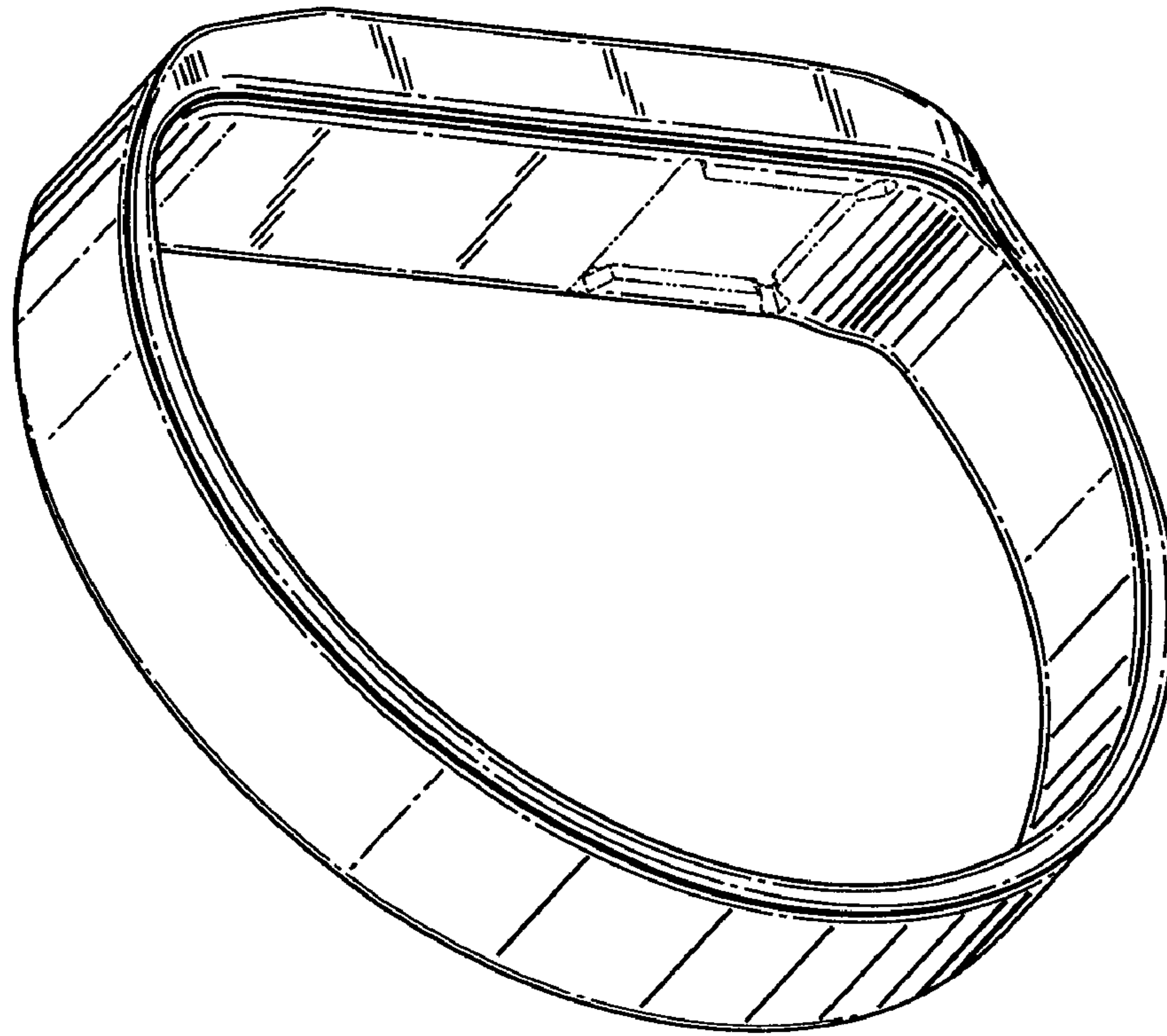
FIG. 5 is a bottom view thereof; and,

FIG. 6 is a rear view; where the front view is not presented, as it is a mirror image of the rear view.

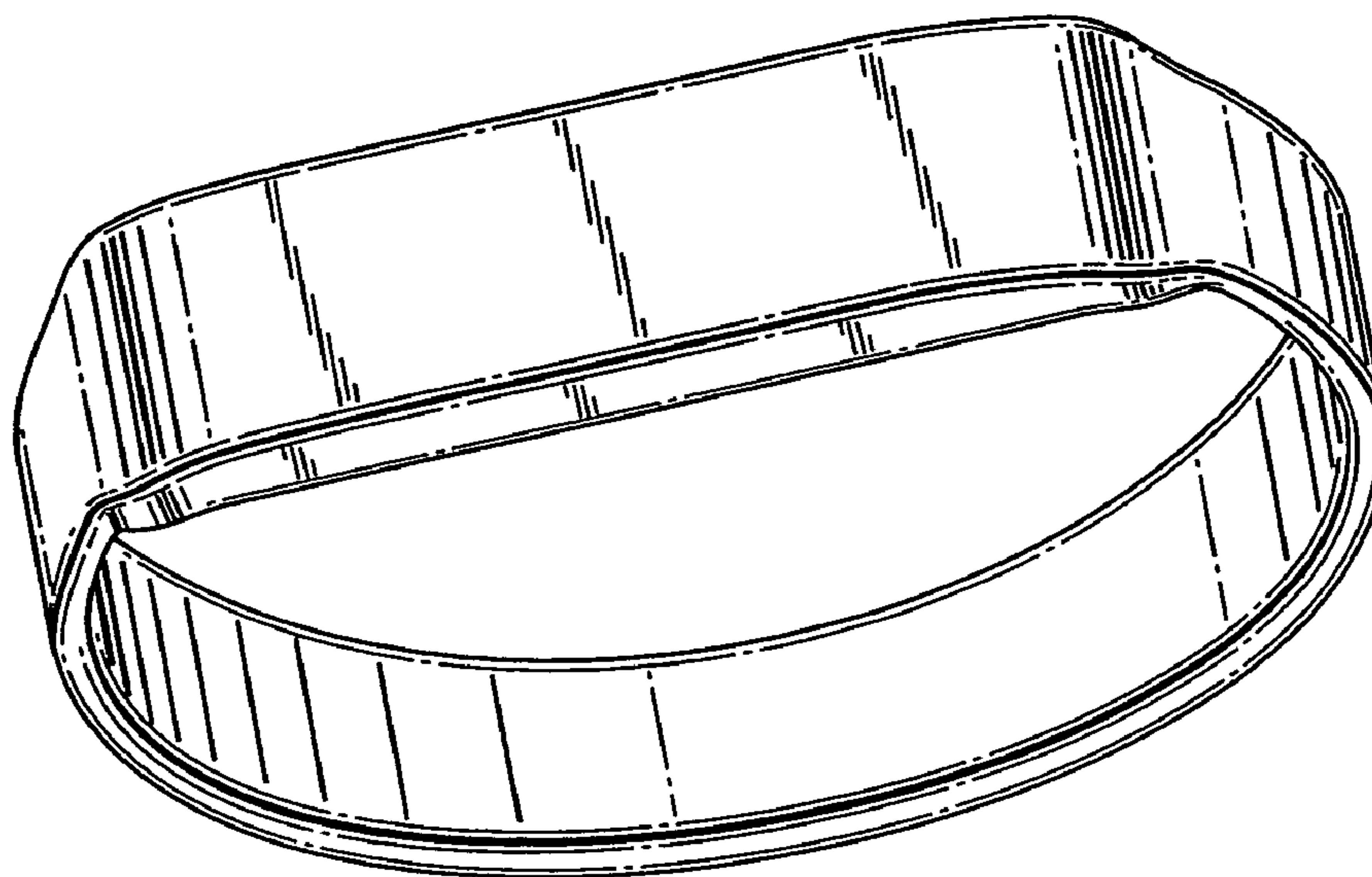
In FIG. 1, the broken line showing an access window is for illustrative purposes only and forms no part of the claimed design.

**1 Claim, 3 Drawing Sheets**

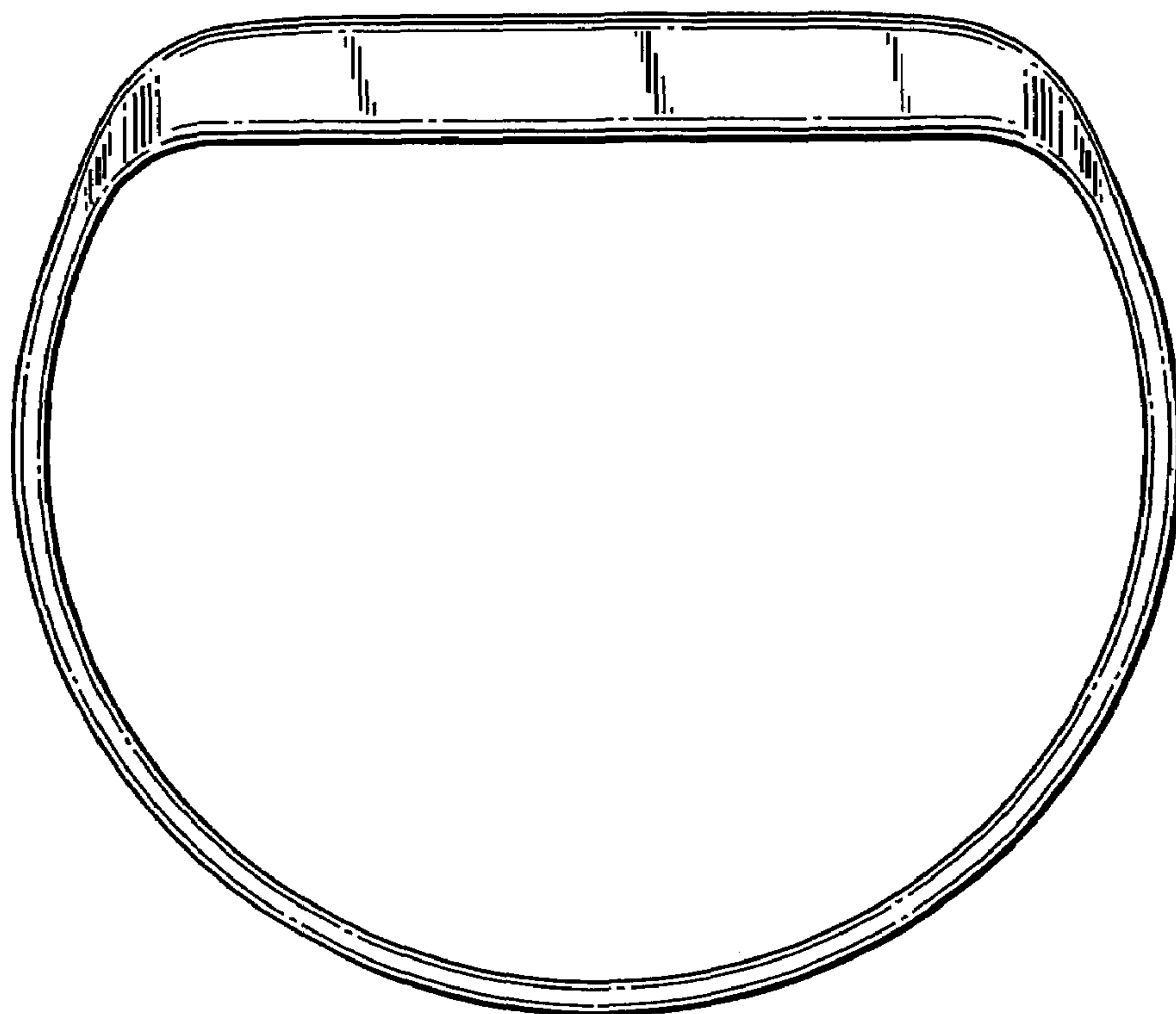




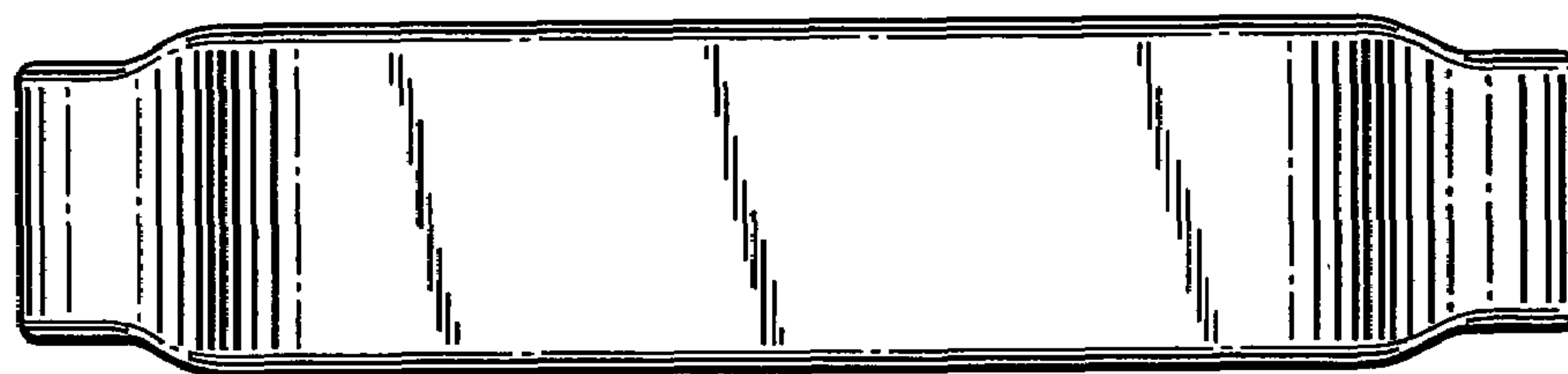
**Fig. 1**



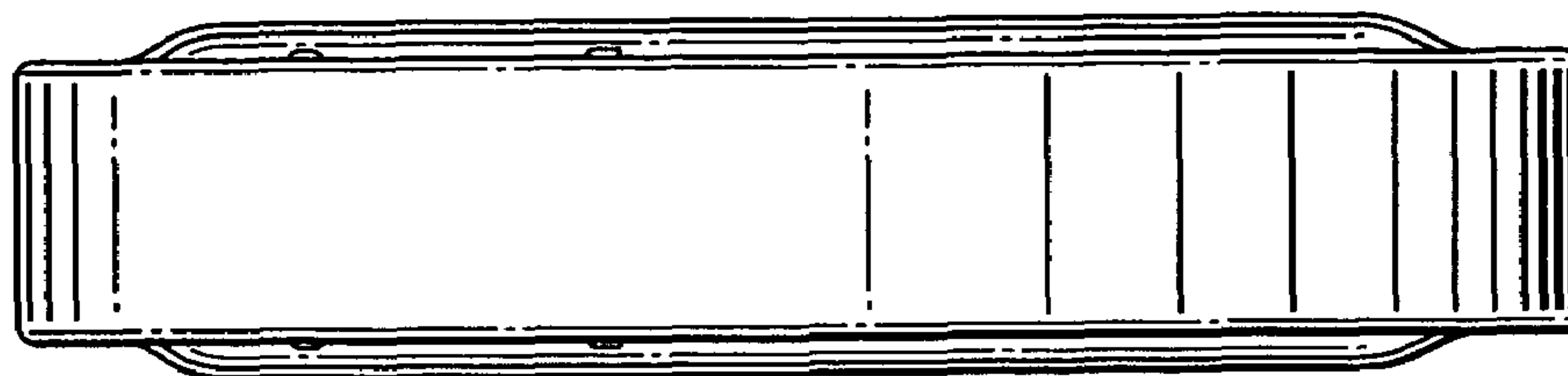
**Fig. 2**



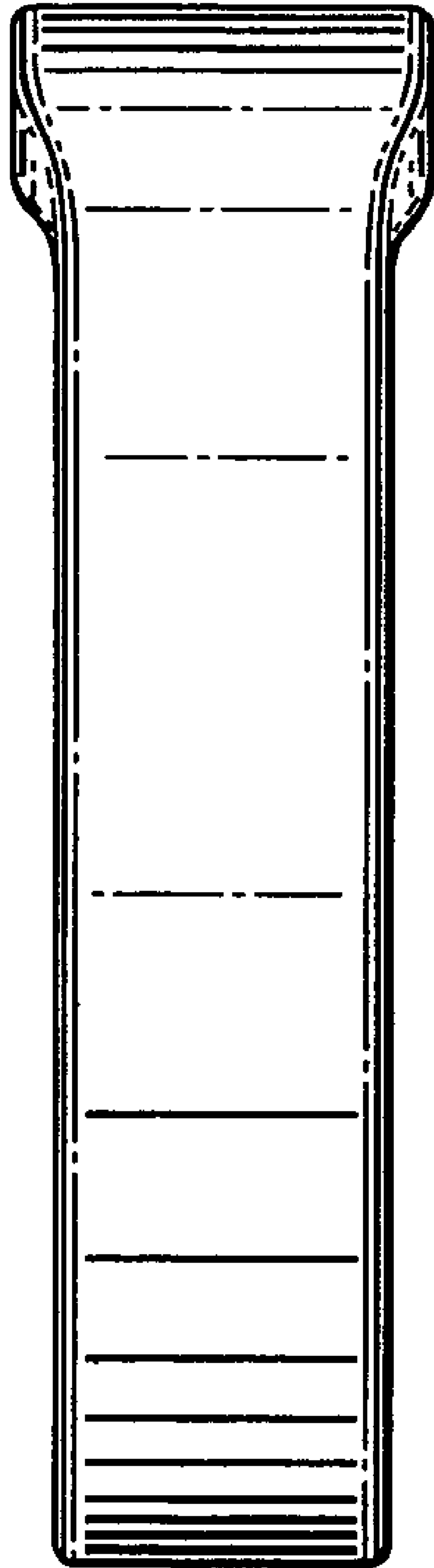
**Fig. 3**



**Fig. 4**



**Fig. 5**



**Fig. 6**