



US00D556189S

(12) **United States Design Patent**  
**Bourne et al.**

(10) **Patent No.:** **US D556,189 S**

(45) **Date of Patent:** **\*\* Nov. 27, 2007**

(54) **TELEPHONE CONFERENCING DEVICE**

(75) Inventors: **Christopher Bourne**, West Valley City, UT (US); **James Wright**, Salt Lake City, UT (US)

(73) Assignee: **ClearOne Communications, Inc.**

(\*\*) Term: **14 Years**

(21) Appl. No.: **29/227,601**

(22) Filed: **Apr. 13, 2005**

(51) **LOC (8) Cl.** ..... **14-03**

(52) **U.S. Cl.** ..... **D14/240**

(58) **Field of Classification Search** ..... D14/240,  
D14/242, 246, 192, 223, 140.1, 140.4, 356,  
D14/358; D13/184, 123; 181/129-130;  
379/430, 431, 433.01, 420.03, 957, 52, 106.1,  
379/333-337, 387.01, 399.01, 413.02, 413.04;  
455/569.1, 510, 524; 439/717

See application file for complete search history.

(56) **References Cited**

**U.S. PATENT DOCUMENTS**

D356,797 S *	3/1995	Young	.....	D14/240
D363,722 S *	10/1995	Aldridge et al.	.....	D14/242
D367,042 S *	2/1996	Morrow et al.	.....	D13/184
D383,458 S *	9/1997	Biasotti et al.	.....	D14/240
D413,021 S *	8/1999	Wheatley et al.	.....	D14/240
D453,153 S *	1/2002	Yu et al.	.....	D14/240

D460,753 S *	7/2002	Hill et al.	.....	D14/240
D471,542 S *	3/2003	Sim	.....	D14/240
D483,353 S *	12/2003	Hyogo	.....	D14/240
D510,343 S *	10/2005	Wallace et al.	.....	D14/240

\* cited by examiner

*Primary Examiner*—Charles A. Rademaker

(74) *Attorney, Agent, or Firm*—Everett D. Robinson; Echelon IP, LLC

(57) **CLAIM**

The ornamental design for a telephone conferencing device, as shown and described.

**DESCRIPTION**

FIG. 1 is a top perspective view of a telephone conferencing device showing our new design;

FIG. 2 is a side elevation thereof;

FIG. 3 is a side elevation of the side opposite that shown in FIG. 2;

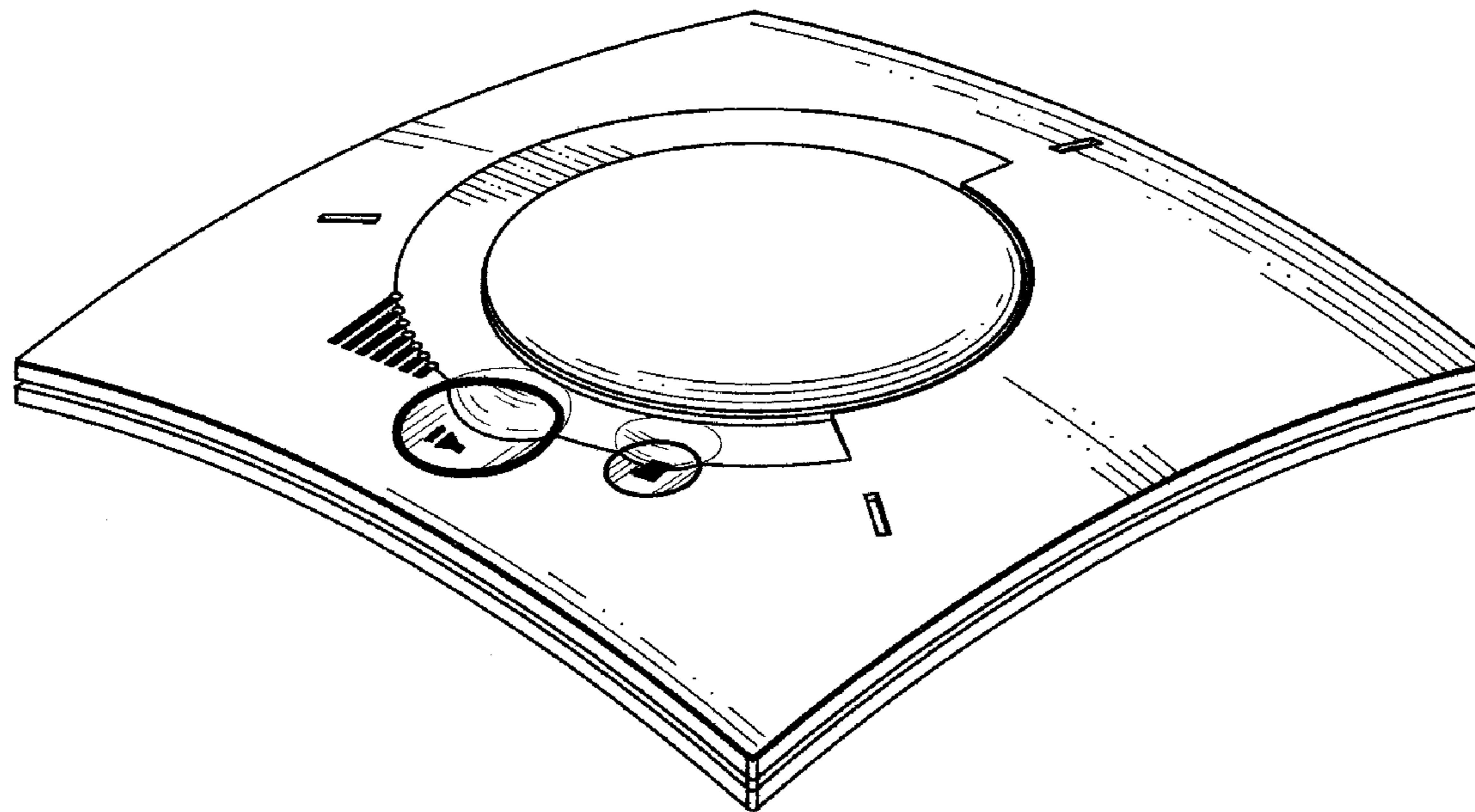
FIG. 4 is a front elevation thereof;

FIG. 5 is a rear elevation thereof; and,

FIG. 6 is a top plan view thereof.

The broken lines shown in the drawings are included for purposes of illustration and form no part of the claimed design.

**1 Claim, 2 Drawing Sheets**



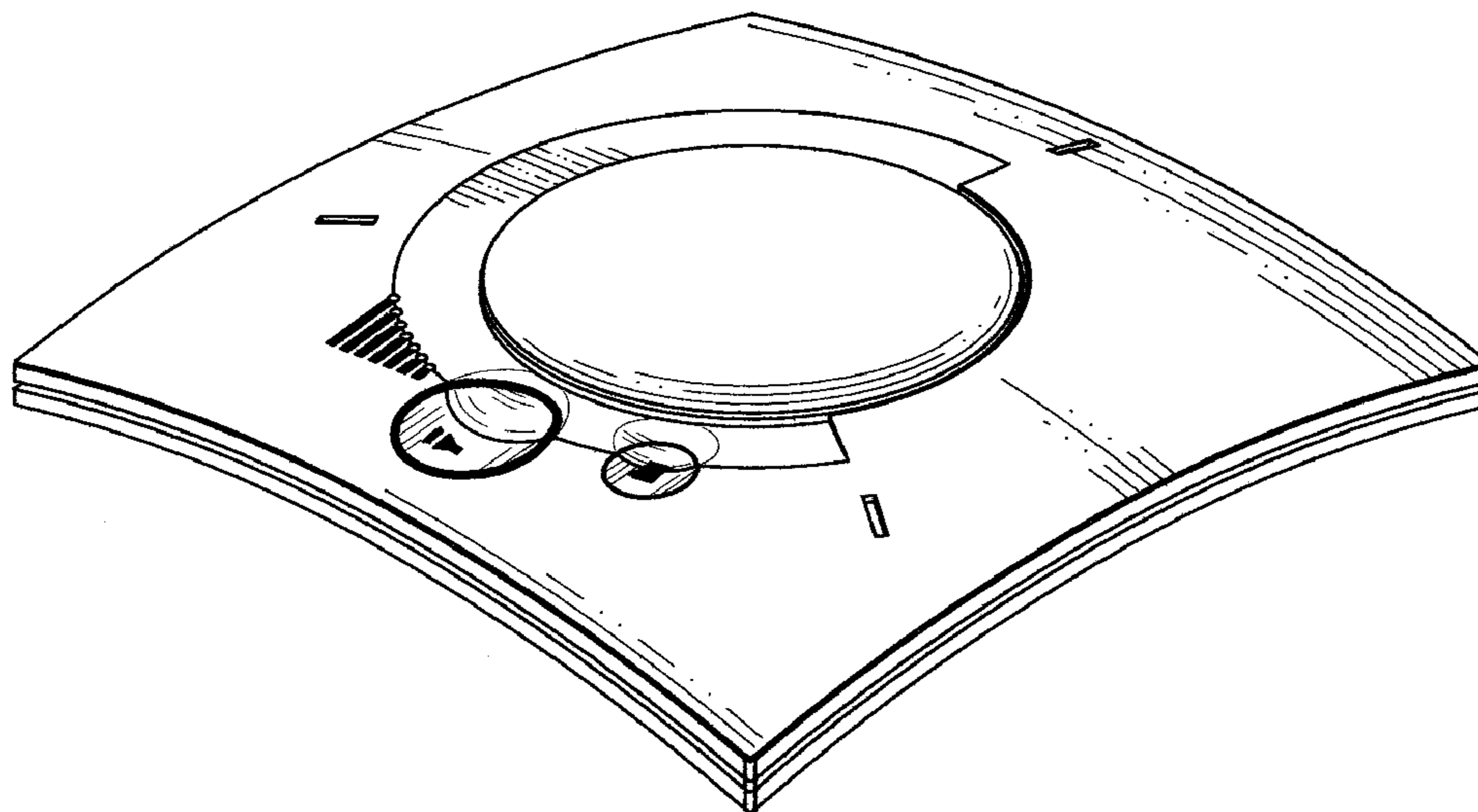


Fig. 1

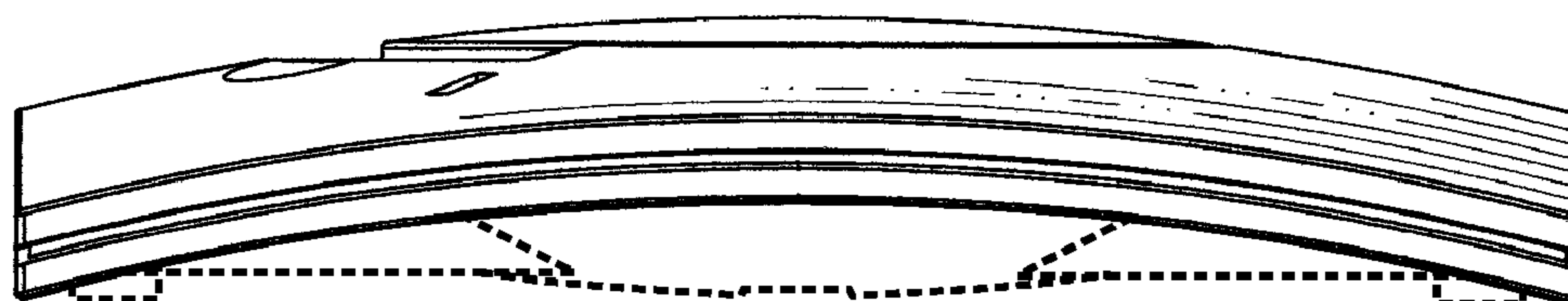


Fig. 2

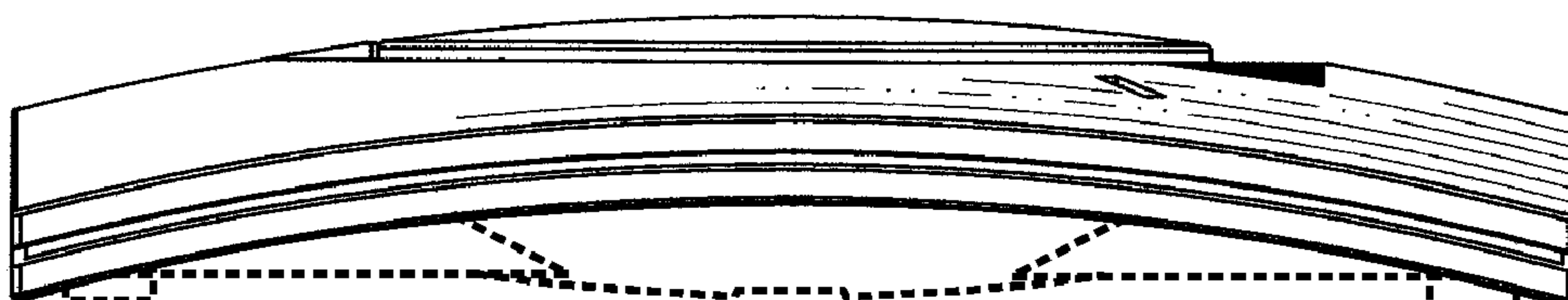


Fig. 3

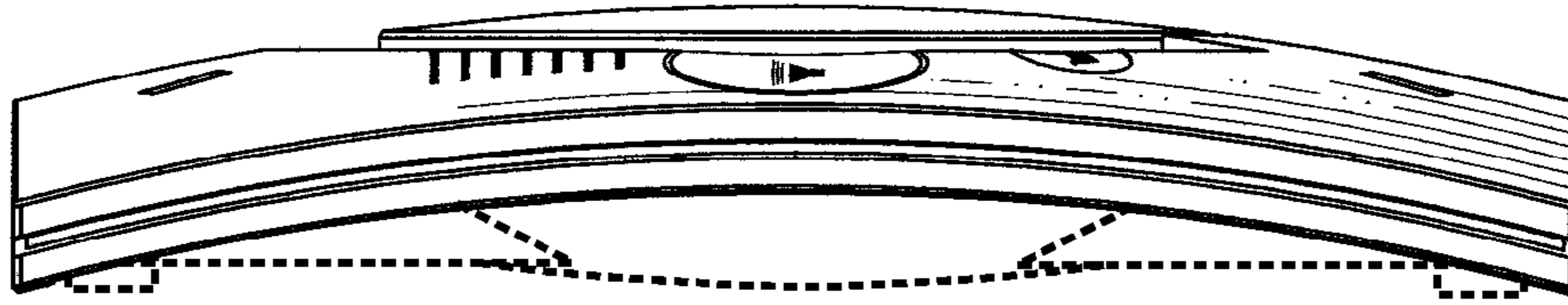


Fig. 4

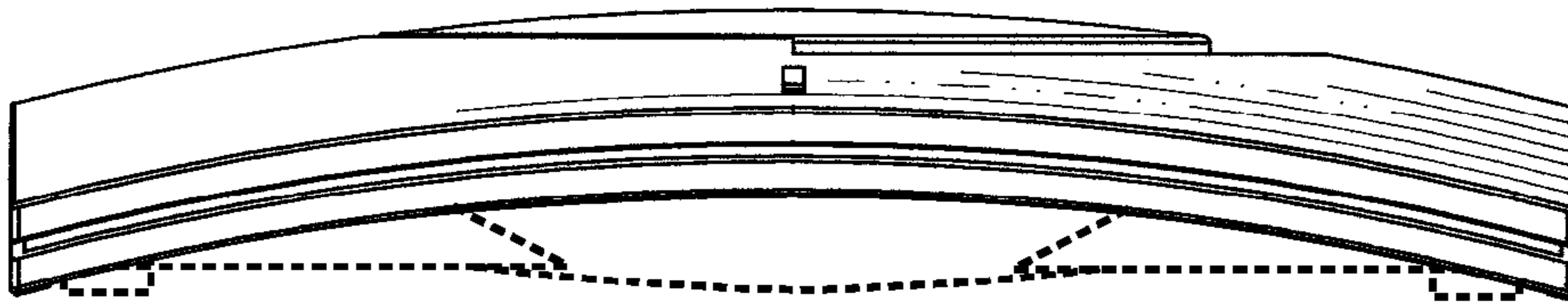


Fig. 5

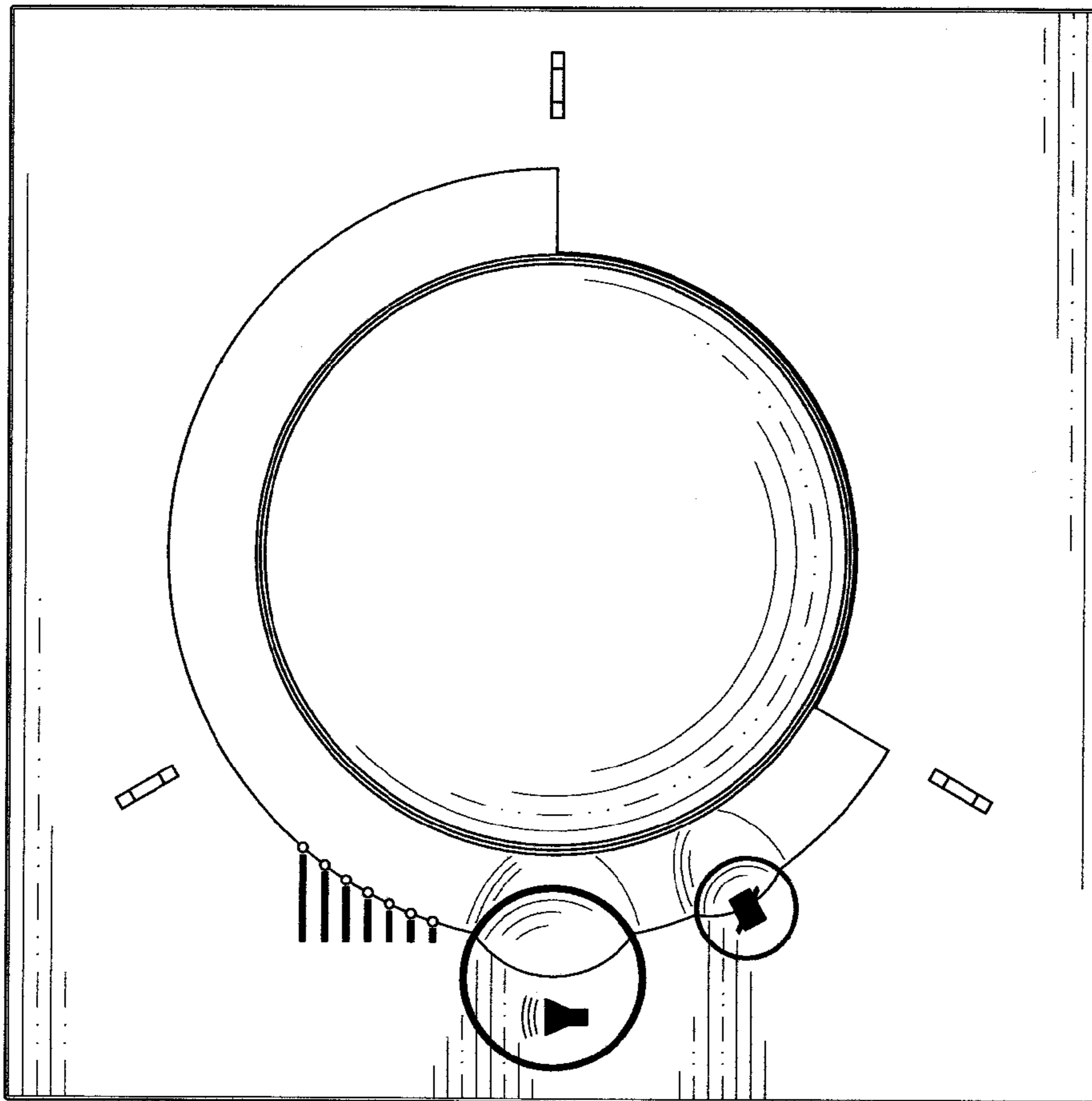


Fig. 6