



US00D556188S

(12) **United States Design Patent**
Ang et al.

(10) **Patent No.:** **US D556,188 S**

(45) **Date of Patent:** **** Nov. 27, 2007**

(54) **LOUDSPEAKER DEVICE**

(75) Inventors: **Chien Mei Linda Ang**, Singapore (SG); **Sang Hoon Chung**, Singapore (SG)

(73) Assignee: **Creative Technology Ltd**, Singapore (SG)

(**) Term: **14 Years**

(21) Appl. No.: **29/267,074**

(22) Filed: **Oct. 4, 2006**

(51) **LOC (8) Cl.** **14-01**

(52) **U.S. Cl.** **D14/214; D14/217**

(58) **Field of Classification Search** D14/204, D14/209-217, 168; 181/143-144, 147-148, 181/150, 157, 198-199, 151, 153; 381/300-302, 381/306, 333, 345, 361-364, 386-388, 332, 381/336; 348/14.01

See application file for complete search history.

(56) **References Cited**

U.S. PATENT DOCUMENTS

4,450,495	A *	5/1984	Naruki	381/334
D384,069	S *	9/1997	Kokkinis	D14/171
D419,555	S *	1/2000	Renk	D14/168
D491,937	S *	6/2004	Retourne et al.	D14/356
D514,090	S *	1/2006	Carbone et al.	D14/214

OTHER PUBLICATIONS

AMAZON.COM web site featuring Altec Lansing inMotion iM7 Portable Audio System for 3G, 4GiPod Phtoos and iPod Minis for sale, Date first available for sale on Amazon: May 9, 2006, 2 pages.

AMAZON.COM web site featuring Creative Labs 51MF5005AA000 TravelDock Speakers for Zen Micro for sale, Date first available for sale on Amazon: May 19, 2005, 2 pages.

AMAZON.COM web site featuring Logitech 970173-0403 mm50 Portable Speakers for iPod for sale, Date first available for sale on Amazon: Aug. 18, 2005, 2 pages.

* cited by examiner

Primary Examiner—Nanda Bondade

(74) *Attorney, Agent, or Firm*—P. Francois de Villiers

(57) **CLAIM**

The ornamental design for a loudspeaker device, substantially as shown and described.

DESCRIPTION

FIG. 1 is a perspective view of a loudspeaker device in accordance with the present design;

FIG. 2 is a front view of the loudspeaker device shown in FIG. 1;

FIG. 3 is a rear view of the loudspeaker device shown in FIG. 1;

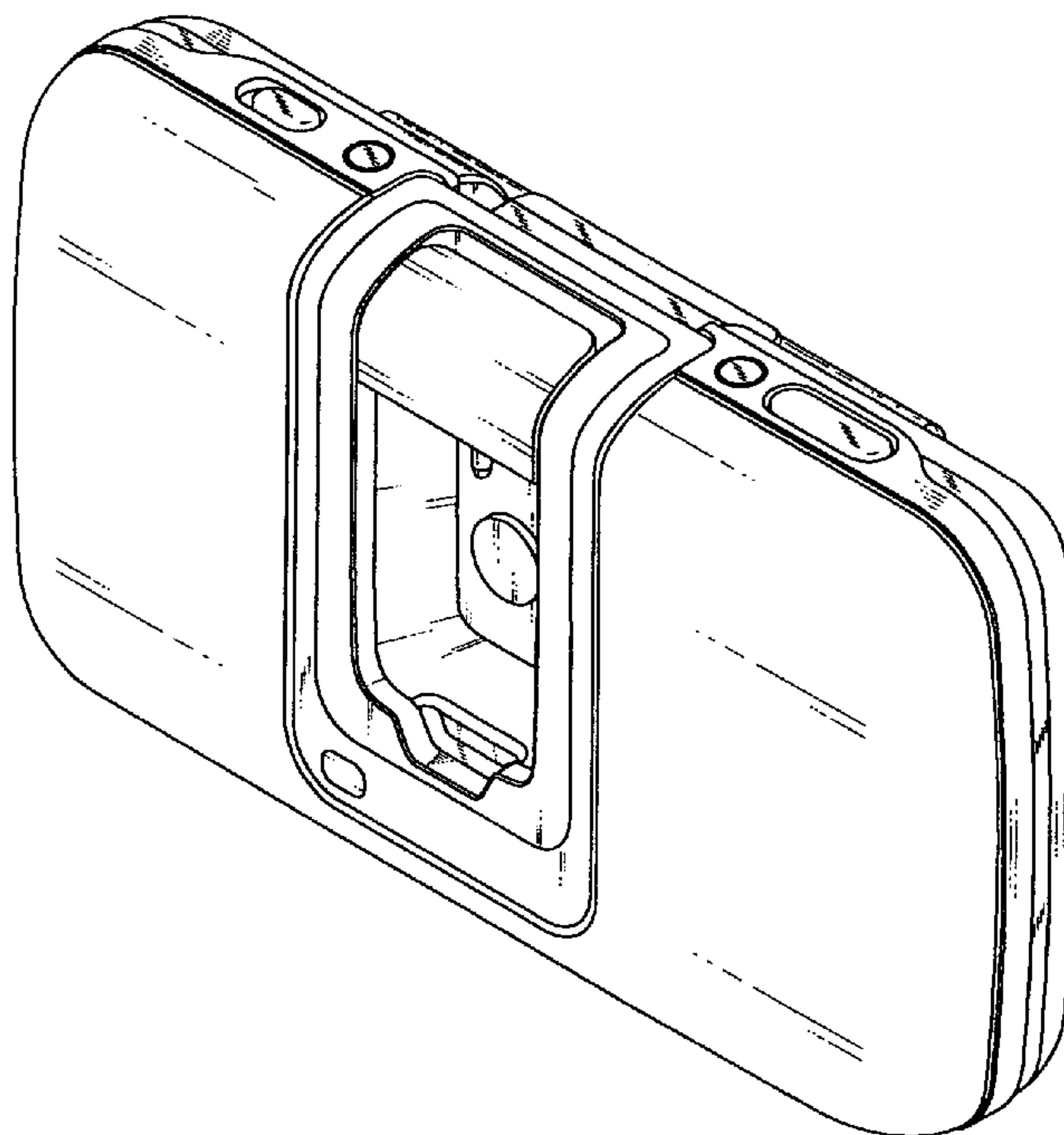
FIG. 4 is a top view of the loudspeaker device shown in FIG. 1;

FIG. 5 is a bottom view of the loudspeaker device shown in FIG. 1;

FIG. 6 is a left side view of the loudspeaker device shown in FIG. 1; and,

FIG. 7 is a right side view of the loudspeaker device shown in FIG. 1.

1 Claim, 3 Drawing Sheets



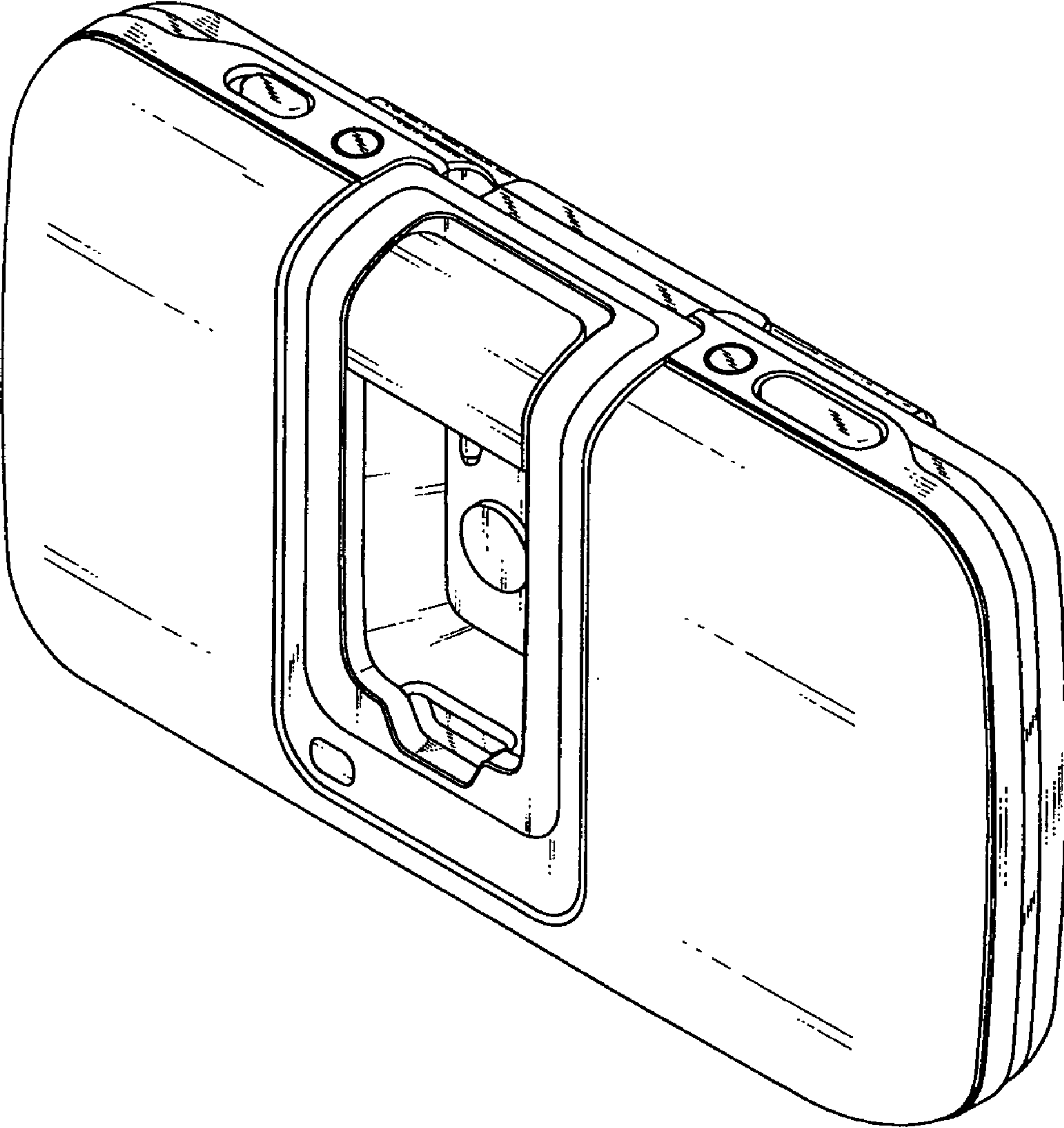


FIG. 1

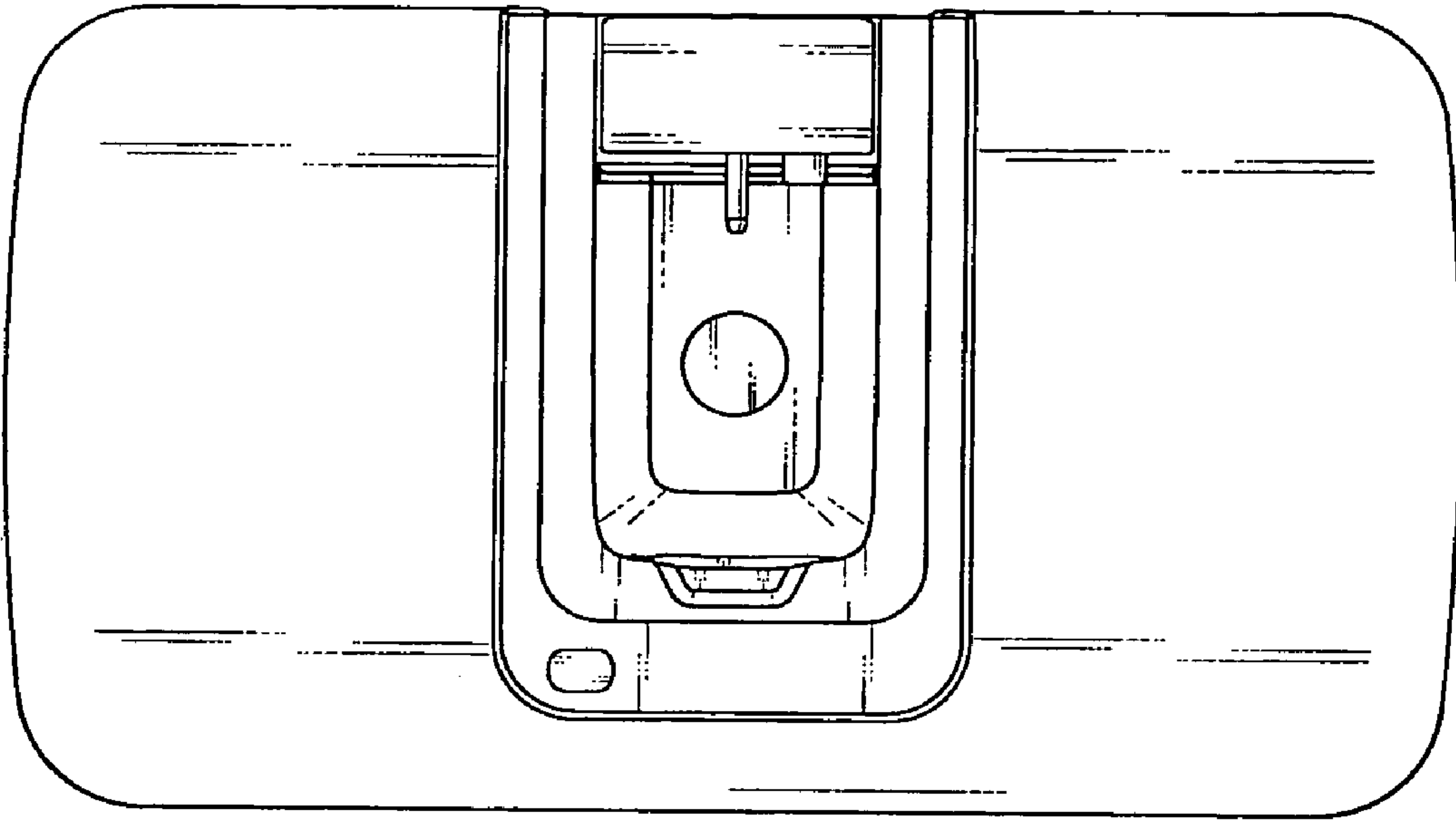


FIG. 2

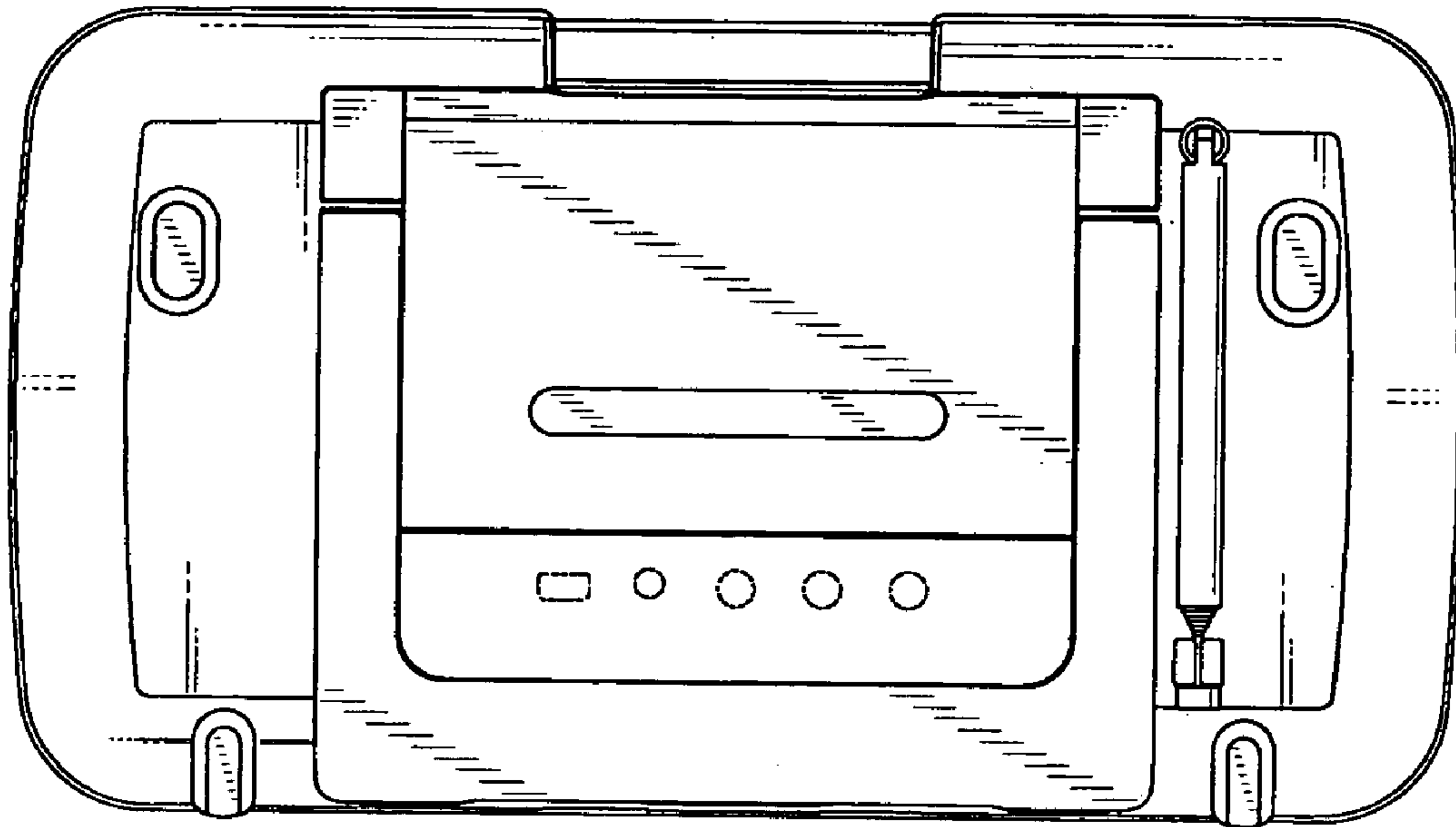


FIG. 3

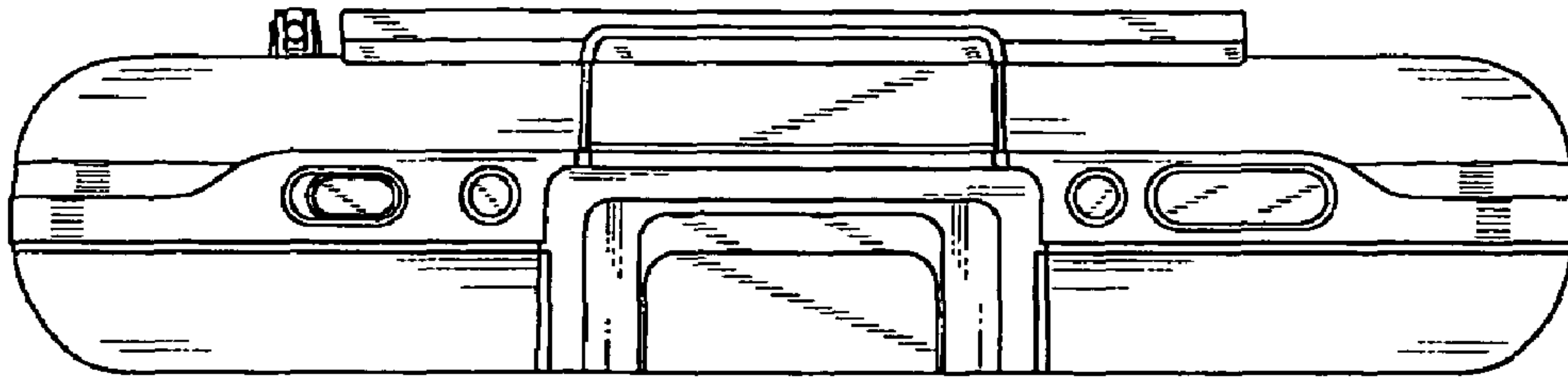


FIG. 4

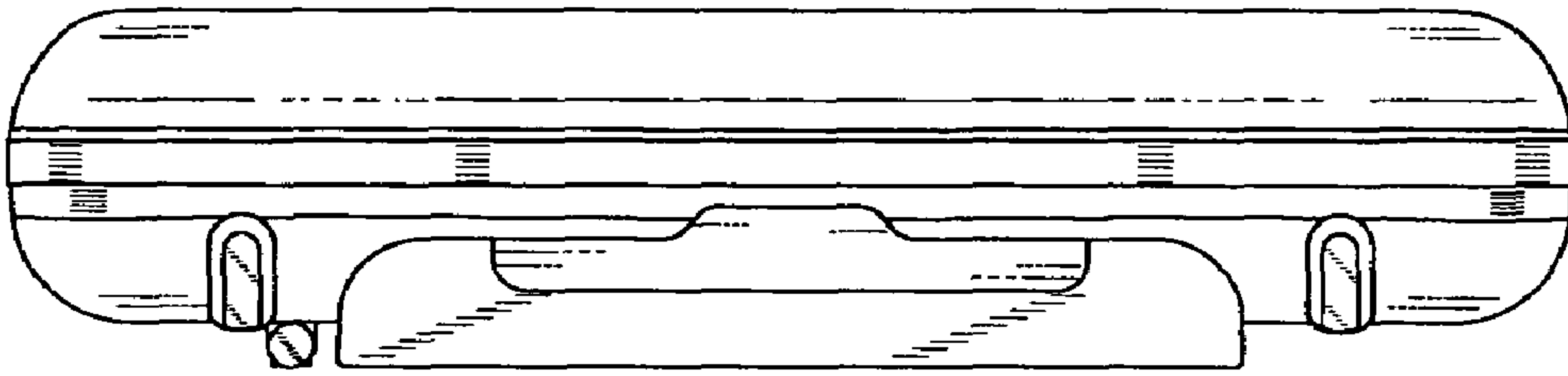


FIG. 5

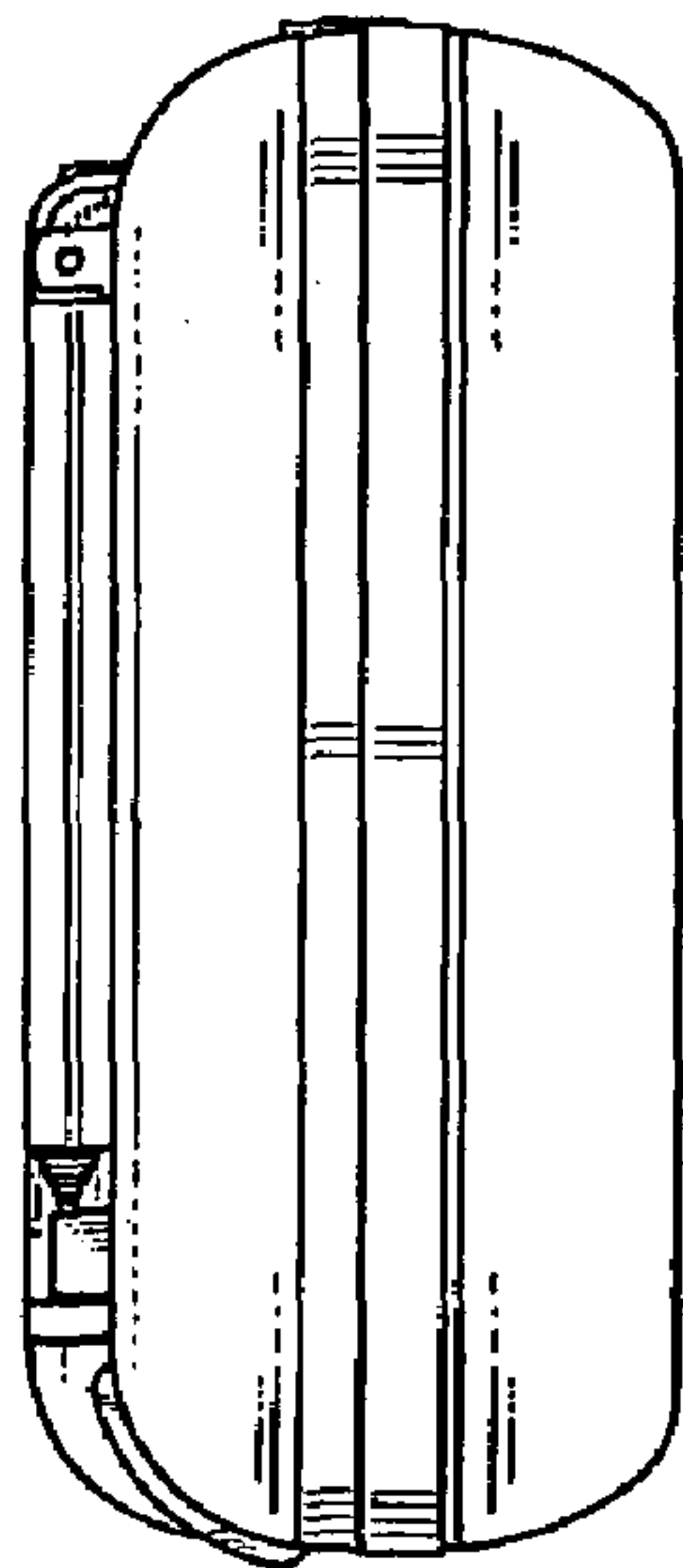


FIG. 6

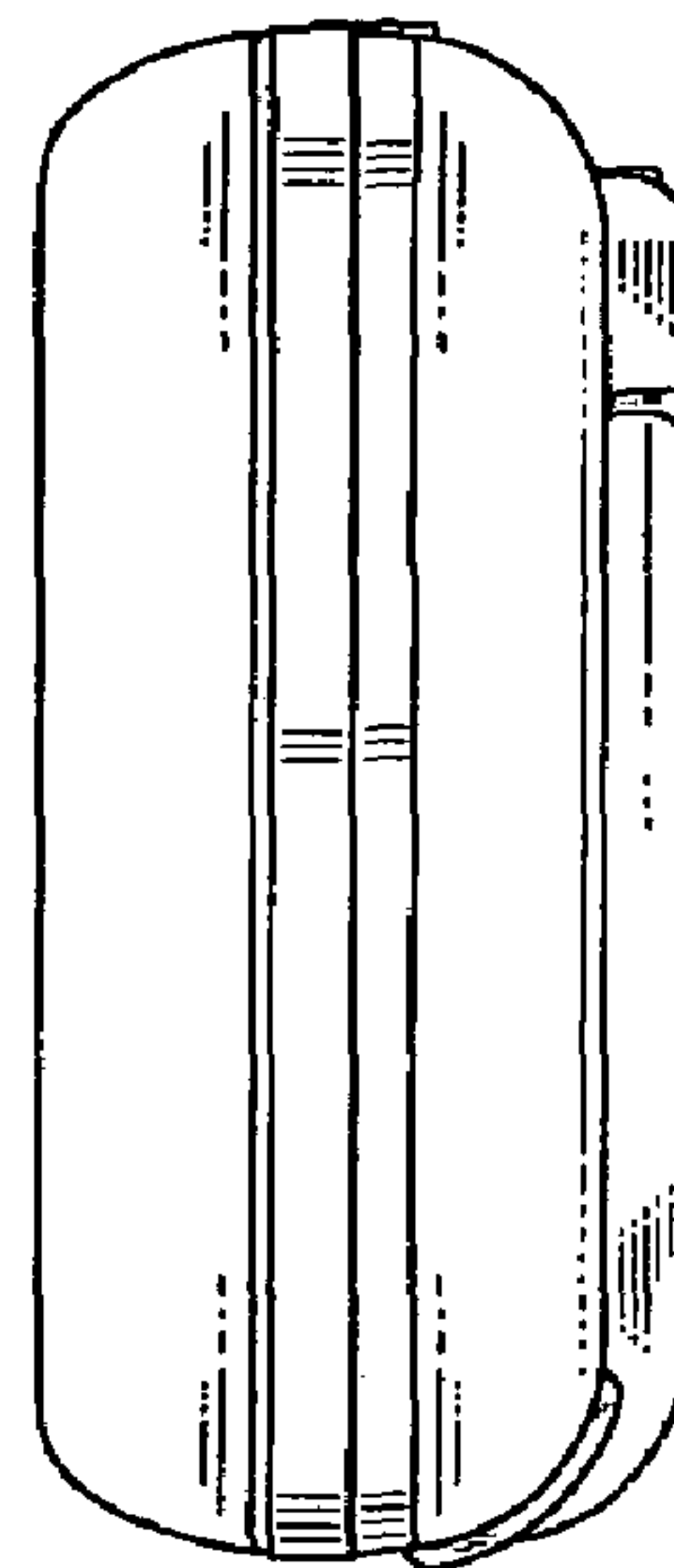


FIG. 7