



US00D556187S

(12) **United States Design Patent**
Feng

(10) **Patent No.:** **US D556,187 S**

(45) **Date of Patent:** **** Nov. 27, 2007**

(54) **HEADPHONE**

(75) Inventor: **Chao-Nan Feng**, Chung Ho (TW)

(73) Assignee: **Toong In Electronic Corp.**, Taipei
Hsien (TW)

(**) Term: **14 Years**

(21) Appl. No.: **29/263,975**

(22) Filed: **Aug. 2, 2006**

(51) **LOC (8) Cl.** **14-01**

(52) **U.S. Cl.** **D14/205**

(58) **Field of Classification Search** D14/188,
D14/192, 205–206, 147, 165, 223; D29/112;
2/209, 410; 181/129–130; 381/370–371,
381/374, 376, 380, 377–379, 381, 74; 379/430,
379/433

See application file for complete search history.

(56) **References Cited**

U.S. PATENT DOCUMENTS

3,505,684 A * 4/1970 Hutchinson et al. 2/209
D244,300 S * 5/1977 Besasie D14/205
4,175,217 A * 11/1979 Williams 379/430
D254,183 S * 2/1980 Doodson D14/205
D266,417 S * 10/1982 Perez D14/165
D327,888 S * 7/1992 Fitzgerald D14/147

D352,036 S * 11/1994 Sekita D14/192
5,406,037 A * 4/1995 Nageno et al. 181/129
D358,390 S * 5/1995 Hayashi D14/205
D409,197 S * 5/1999 Nakamura D14/205
D434,191 S * 11/2000 Emilsson D29/112
D517,045 S * 3/2006 Komiyama D14/205

* cited by examiner

Primary Examiner—Paula A. Greene

(74) *Attorney, Agent, or Firm*—Troxell Law Office, PLLC

(57) **CLAIM**

The ornamental design for a headphone, as shown and described.

DESCRIPTION

FIG. 1 is a perspective view of a headphone showing my new design, the undisclosed portions are not part of the claimed design;

FIG. 2 is a front view thereof;

FIG. 3 is a back view thereof;

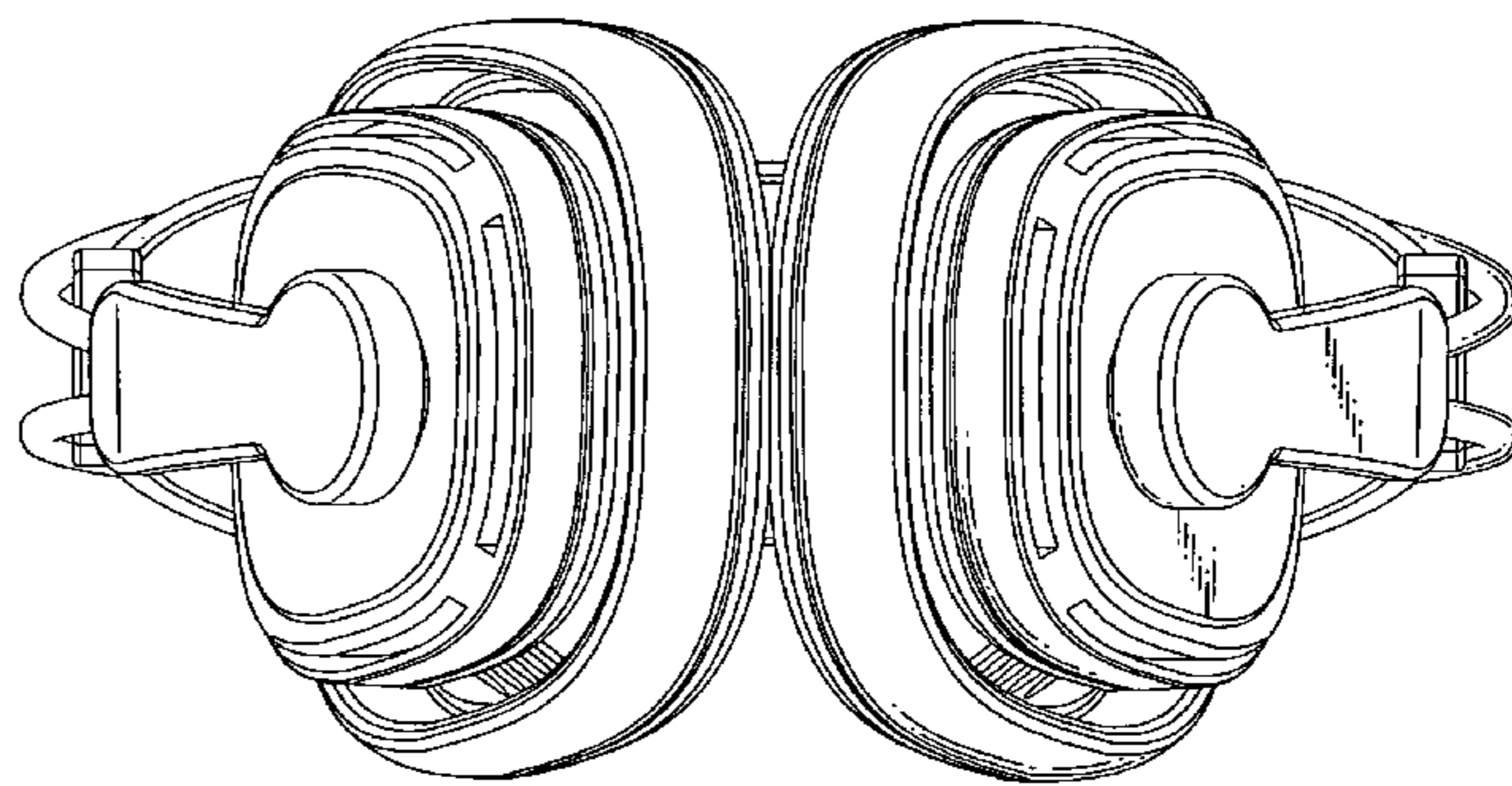
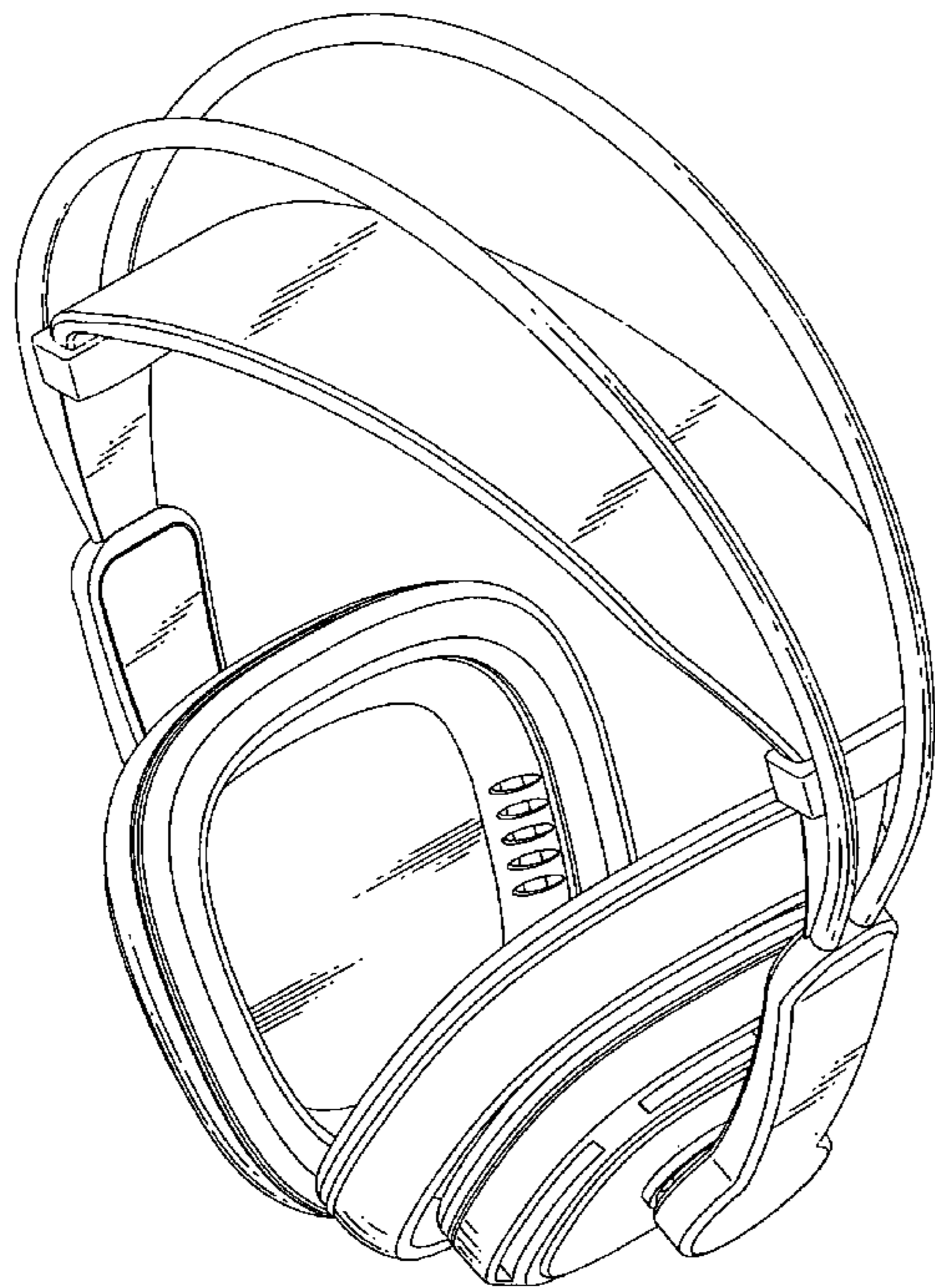
FIG. 4 is a left side view thereof;

FIG. 5 is a right side view thereof;

FIG. 6 is a top view thereof; and,

FIG. 7 is a bottom view thereof.

1 Claim, 6 Drawing Sheets



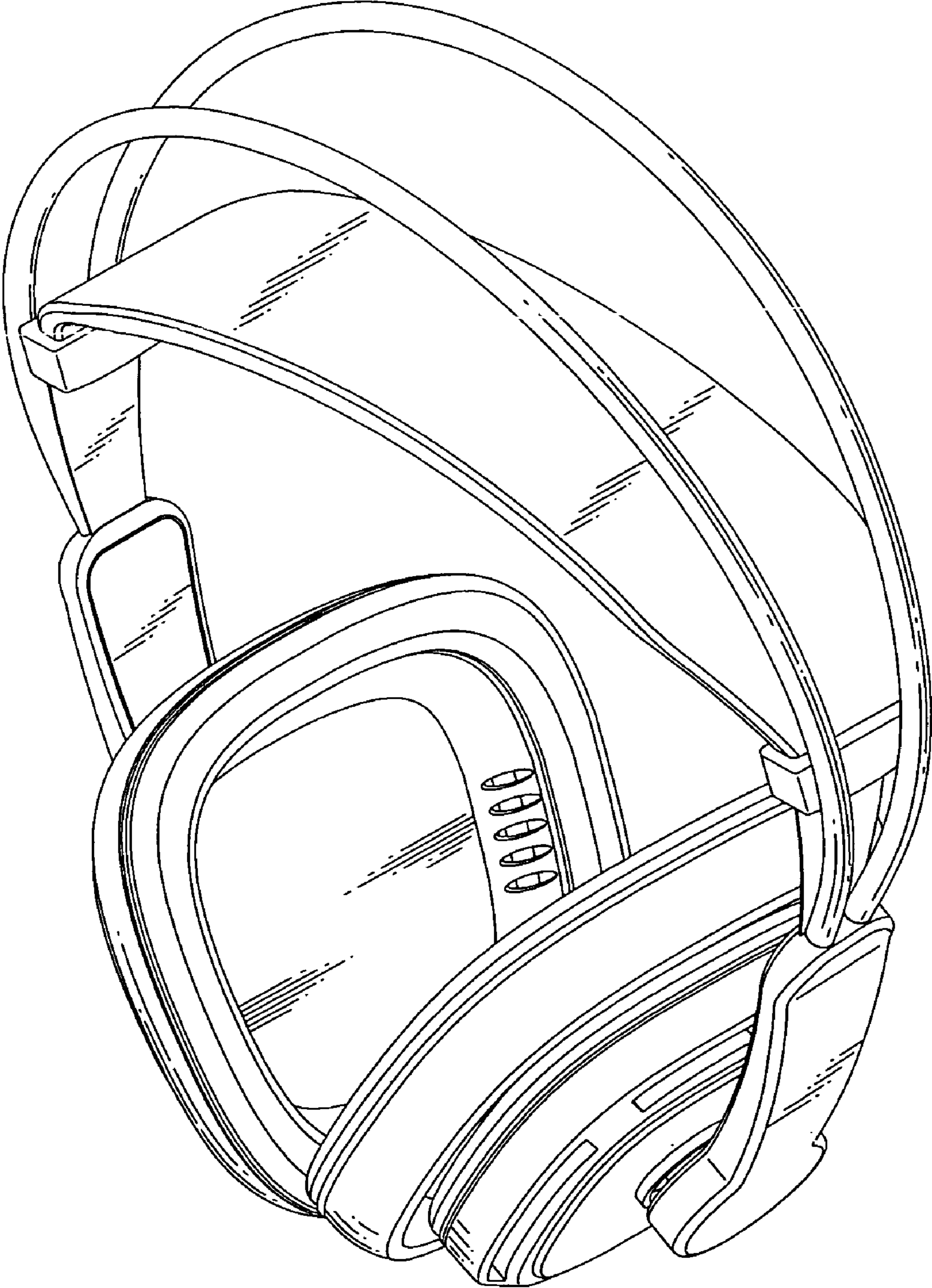


FIG. 1



FIG.2



FIG.3

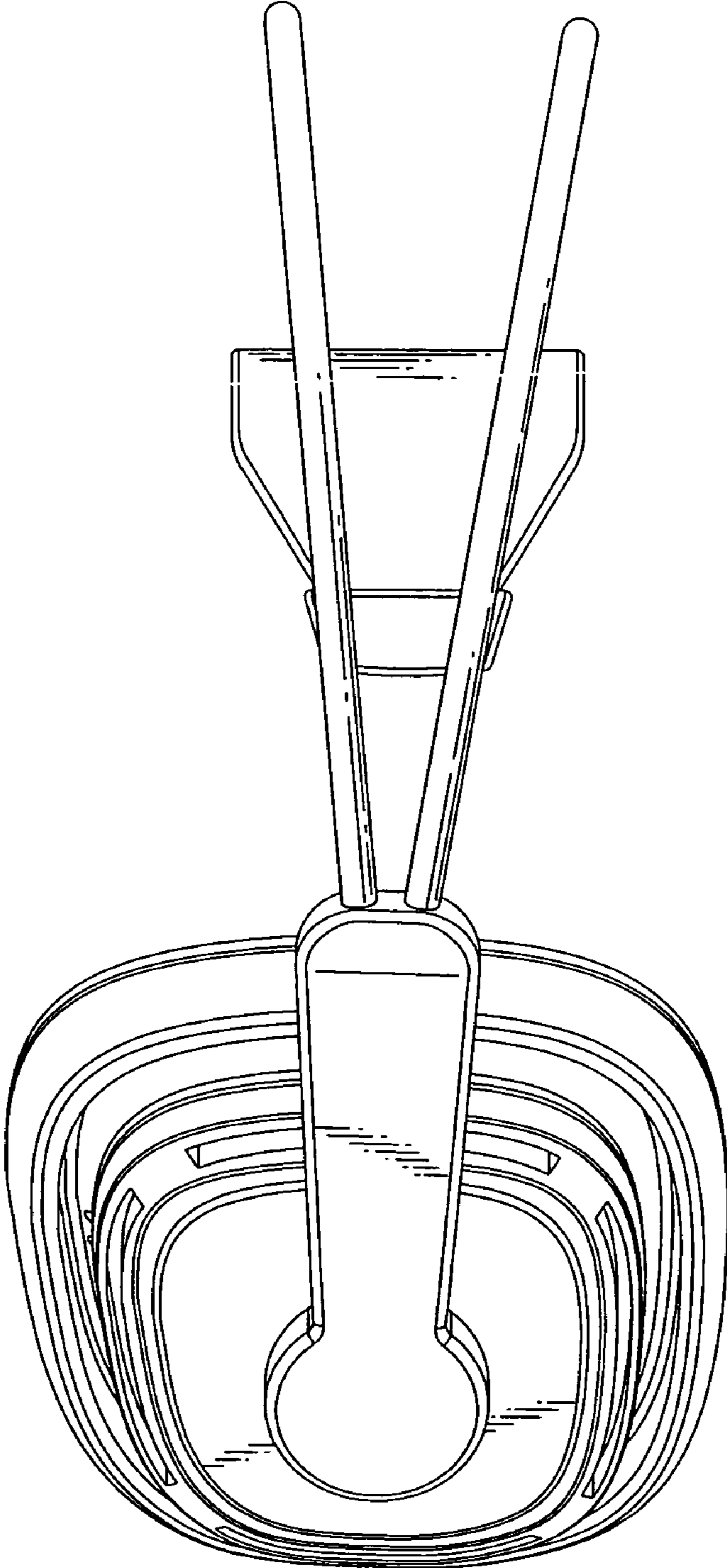


FIG.4

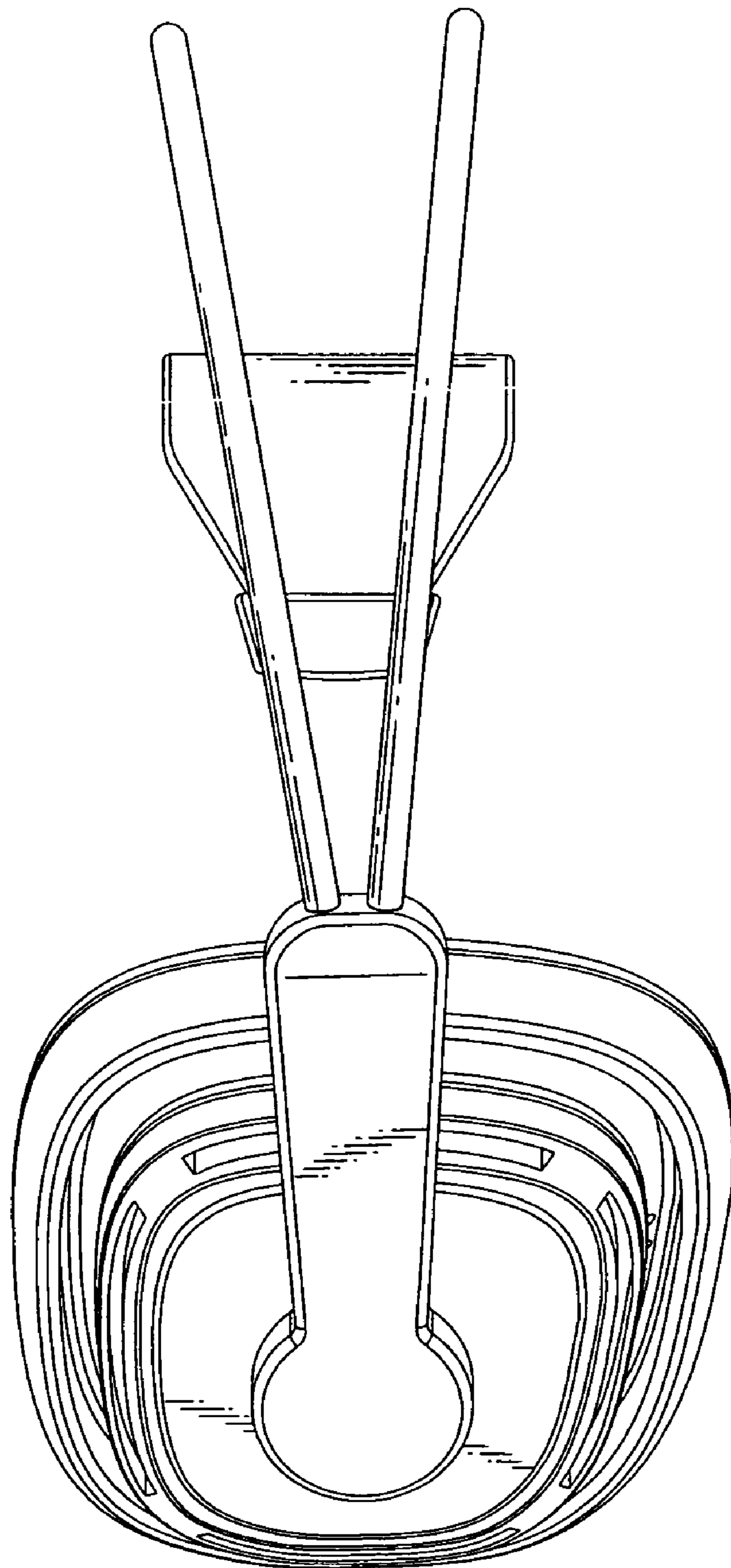


FIG.5

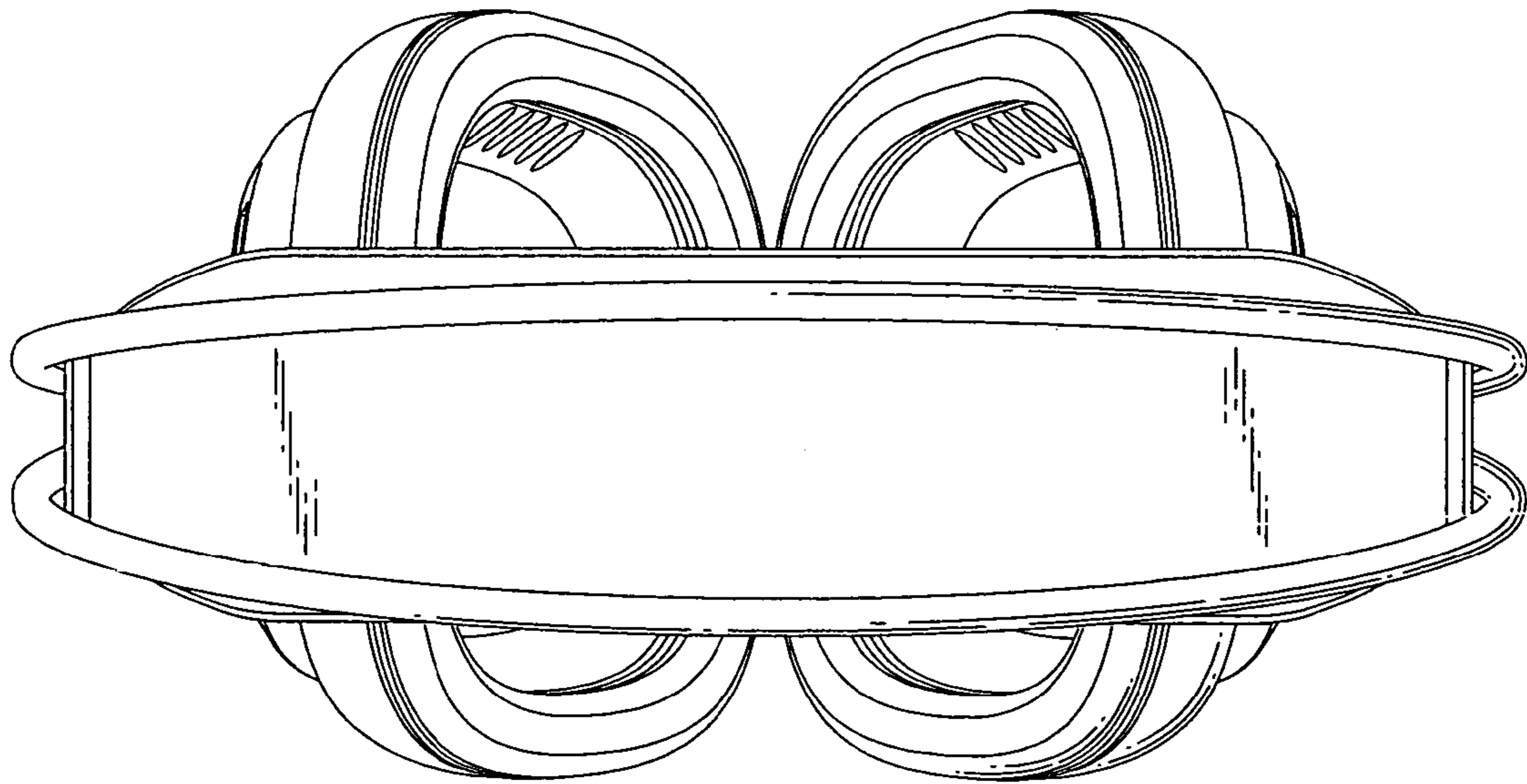


FIG. 6

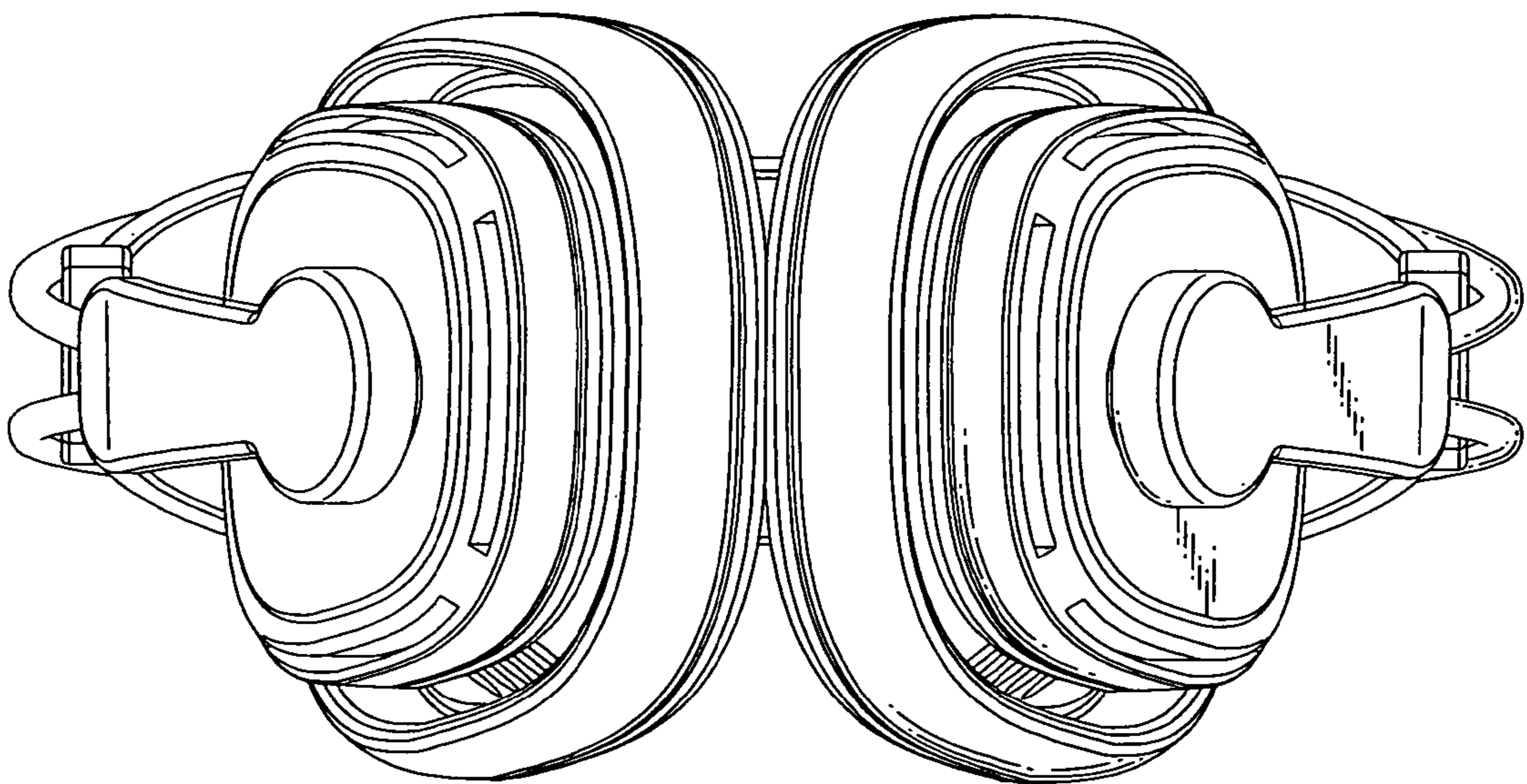


FIG. 7