

US00D556186S

(12) **United States Design Patent**
Bhavnani

(10) **Patent No.:** **US D556,186 S**

(45) **Date of Patent:** **** Nov. 27, 2007**

(54) **RADIO**

(75) Inventor: **Dilip Bhavnani**, Beverly Hills, CA
(US)

(73) Assignee: **Sun Coast Merchandise Corporation**,
Commerce, CA (US)

(**) Term: **14 Years**

(21) Appl. No.: **29/250,762**

(22) Filed: **Nov. 30, 2006**

(51) **LOC (8) Cl.** **14-03**

(52) **U.S. Cl.** **D14/192**

(58) **Field of Classification Search** D14/134-137,
D14/155, 160-171, 188, 191-198, 217, 265,
D14/496; D10/2; D21/513, 516; 369/6-12;
370/342-344; 455/344-355, 90.1-90.3
See application file for complete search history.

(56) **References Cited**

U.S. PATENT DOCUMENTS

D281,975 S	*	12/1985	Oyamada	D14/197
D308,869 S	*	6/1990	Tell	D14/165
D313,020 S	*	12/1990	Ichikawa	D14/192
D322,068 S	*	12/1991	Yamakawa	D14/168
D325,579 S	*	4/1992	Bouhuys	D14/191

D350,134 S	*	8/1994	Kanno	D14/198
D352,714 S	*	11/1994	Ichikawa et al.	D14/188
D401,937 S	*	12/1998	Isonaga	D14/194
D438,525 S	*	3/2001	Katayama	D14/156
D441,735 S	*	5/2001	Katayama	D14/156
D480,063 S	*	9/2003	Homewood et al.	D14/168

* cited by examiner

Primary Examiner—Mitchell Siegel

Assistant Examiner—Keli' L. Acker

(74) *Attorney, Agent, or Firm*—The Soni Law Firm

(57) **CLAIM**

The ornamental design for a radio, as shown and described.

DESCRIPTION

FIG. 1 is a front side perspective view of a radio, embodying my new design;

FIG. 2 is a front elevational view thereof;

FIG. 3 is a top plan view thereof;

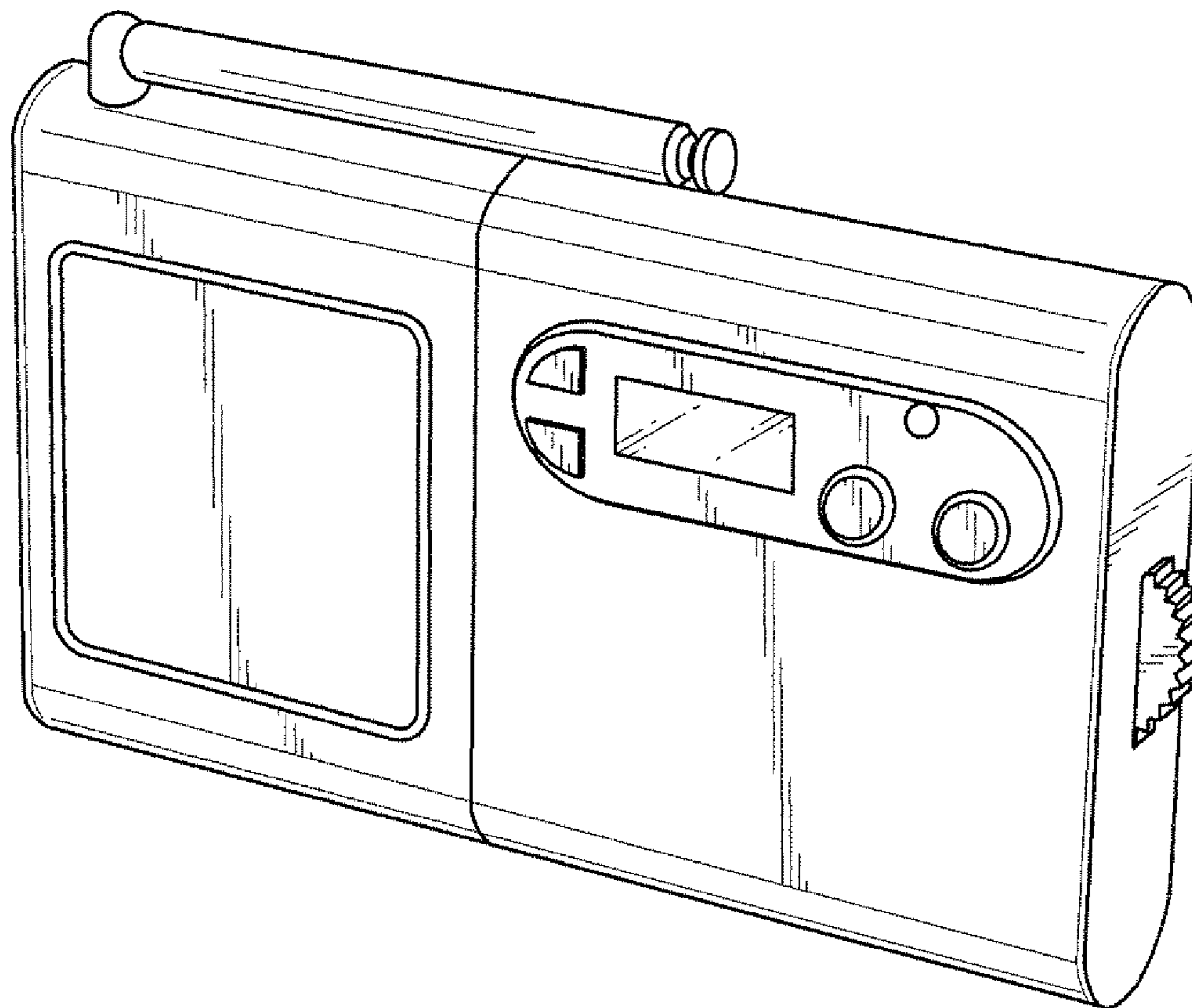
FIG. 4 is a right side elevational view thereof;

FIG. 5 is a left side elevational view thereof;

FIG. 6 is a back elevational view thereof; and,

FIG. 7 is a bottom plan view thereof.

1 Claim, 2 Drawing Sheets



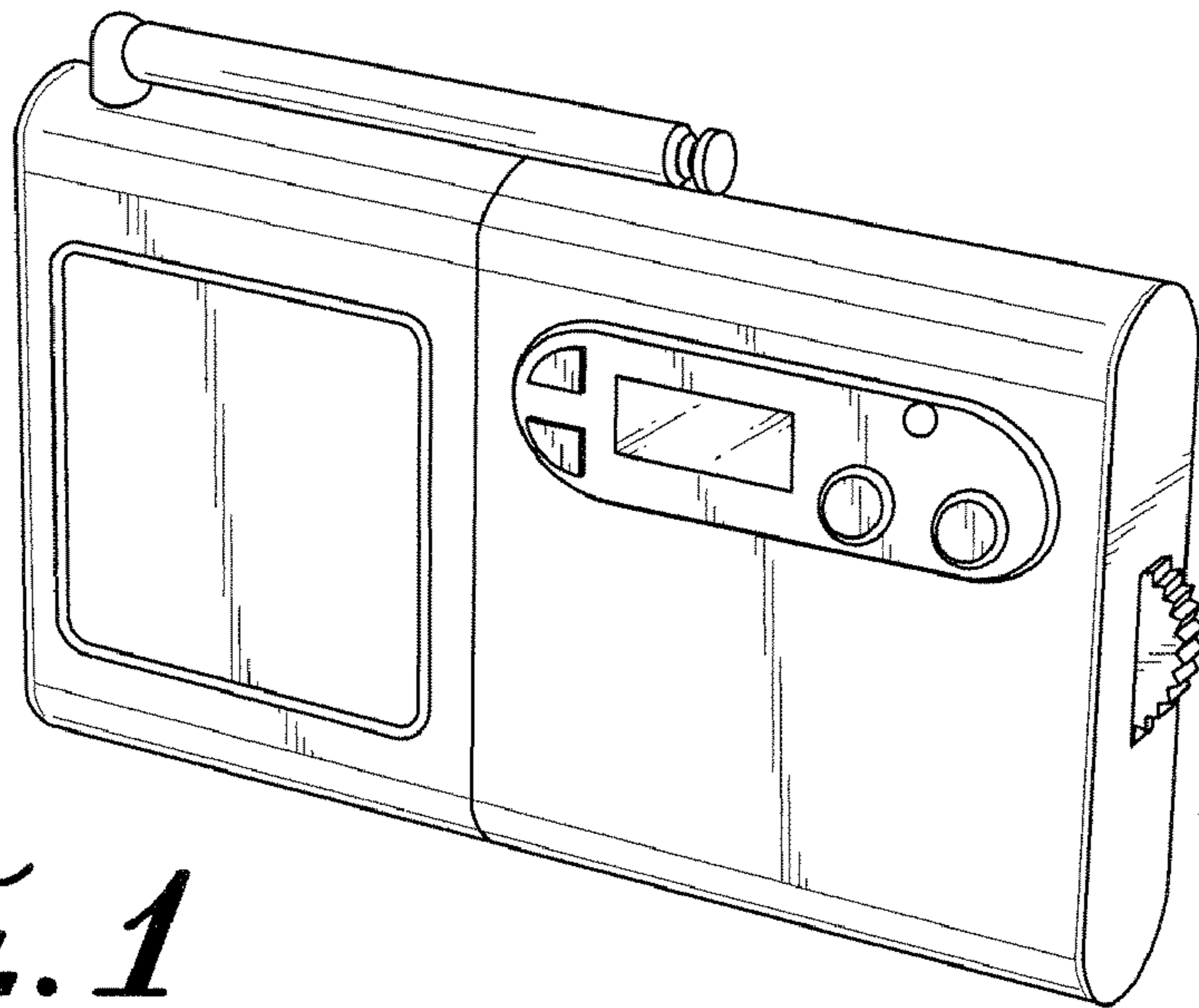


FIG. 1

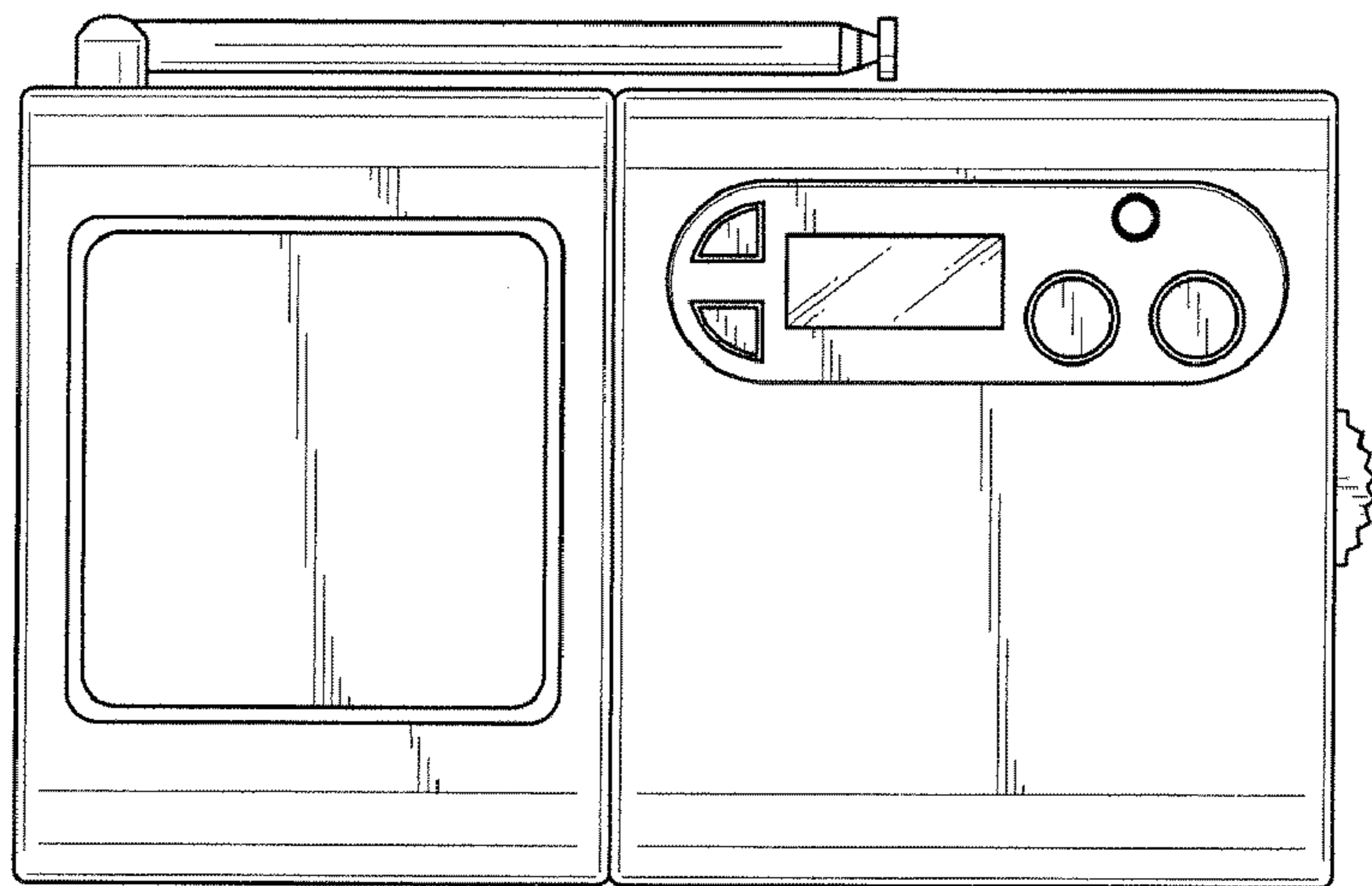


FIG. 2

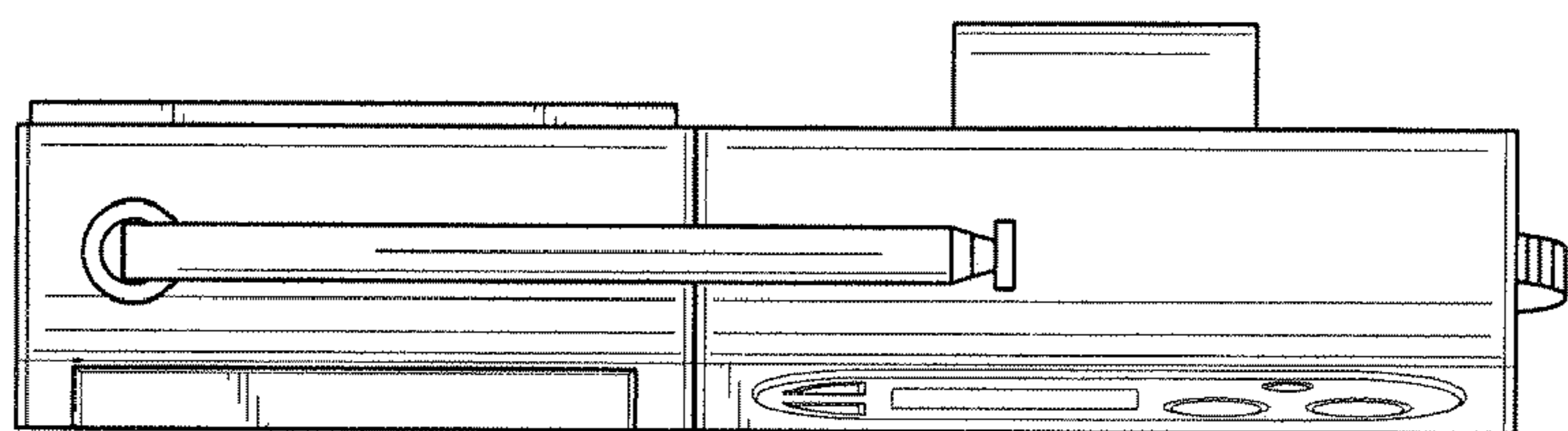


FIG. 3

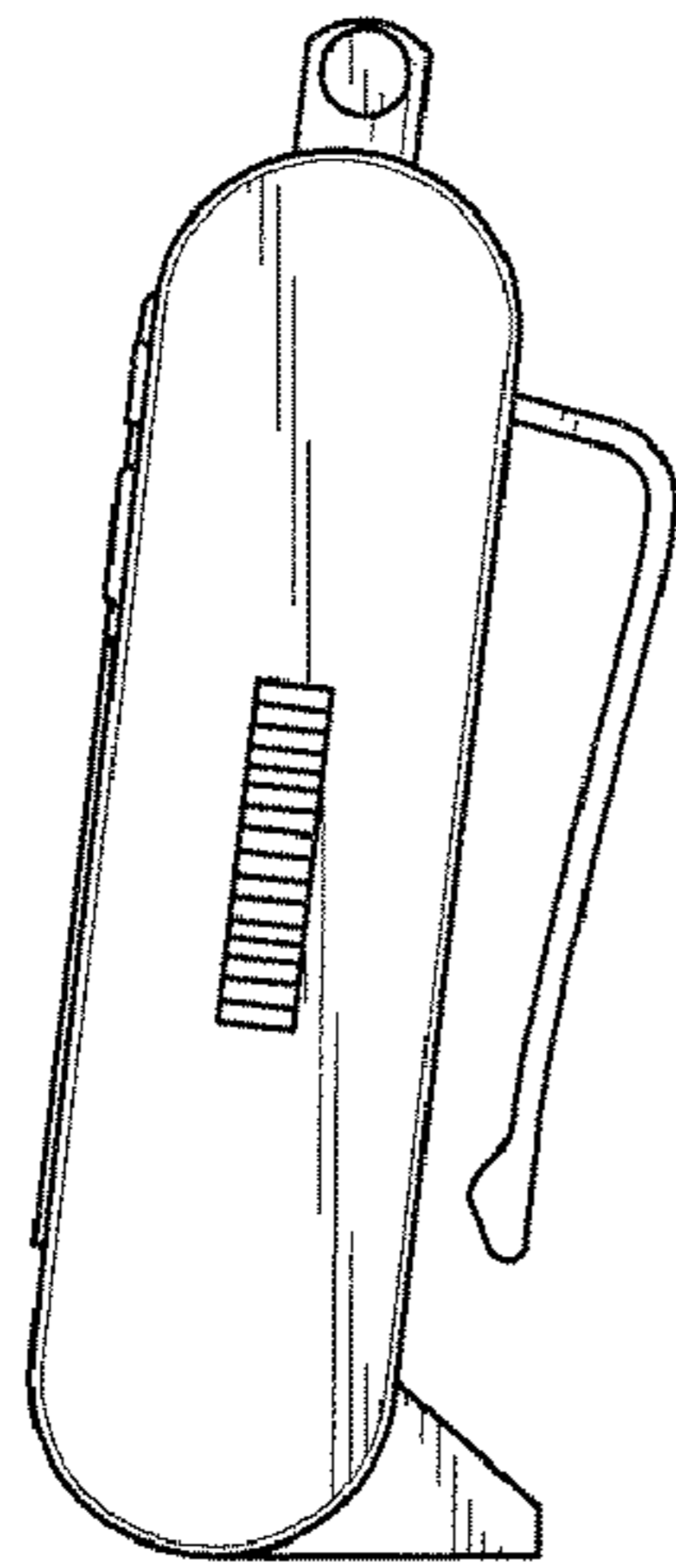


FIG. 4

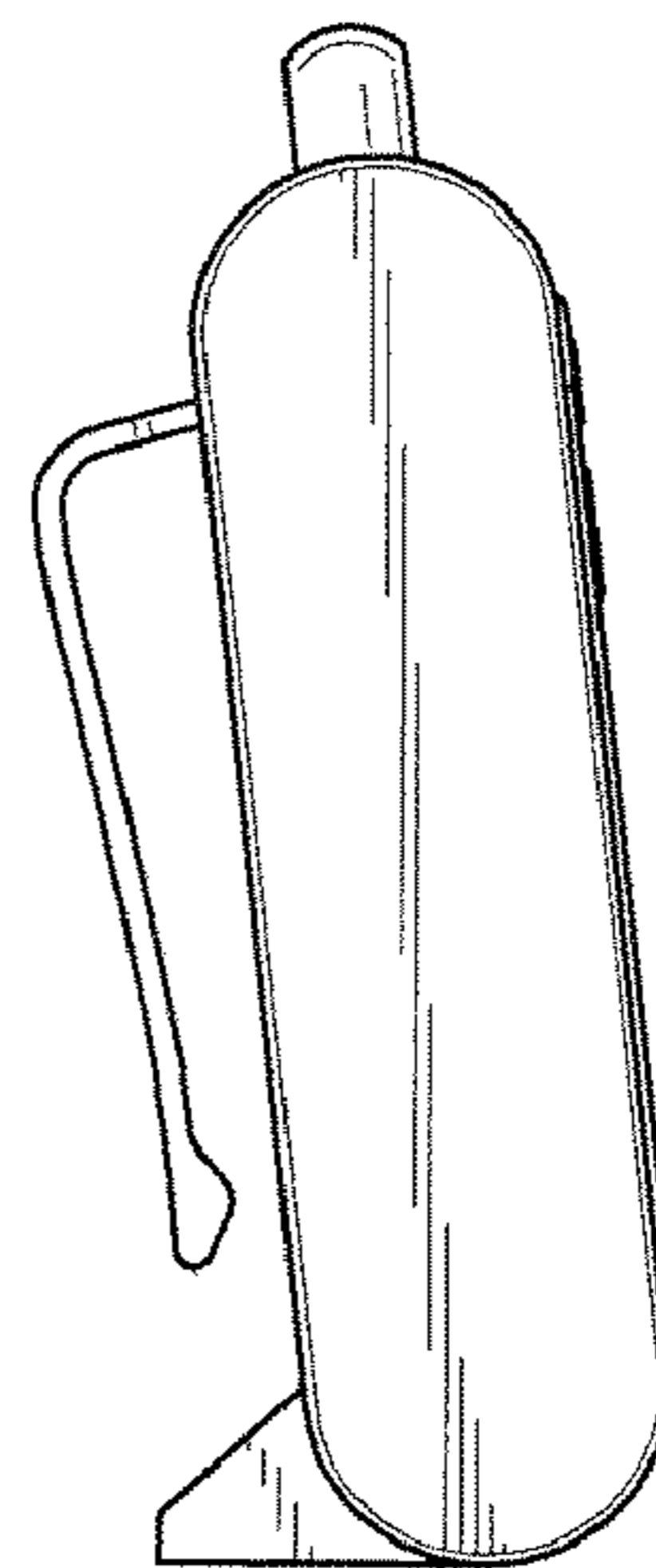


FIG. 5

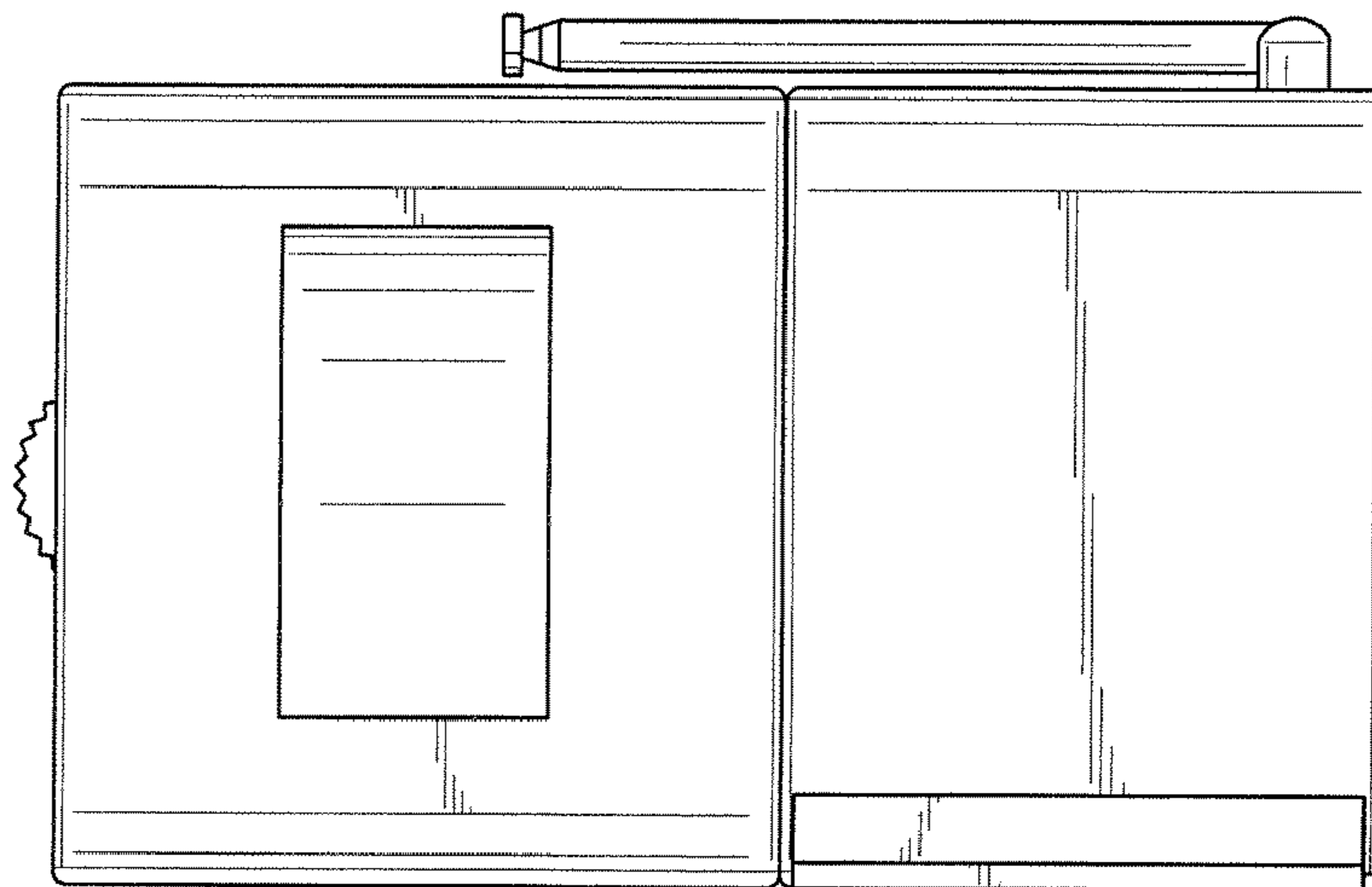


FIG. 6

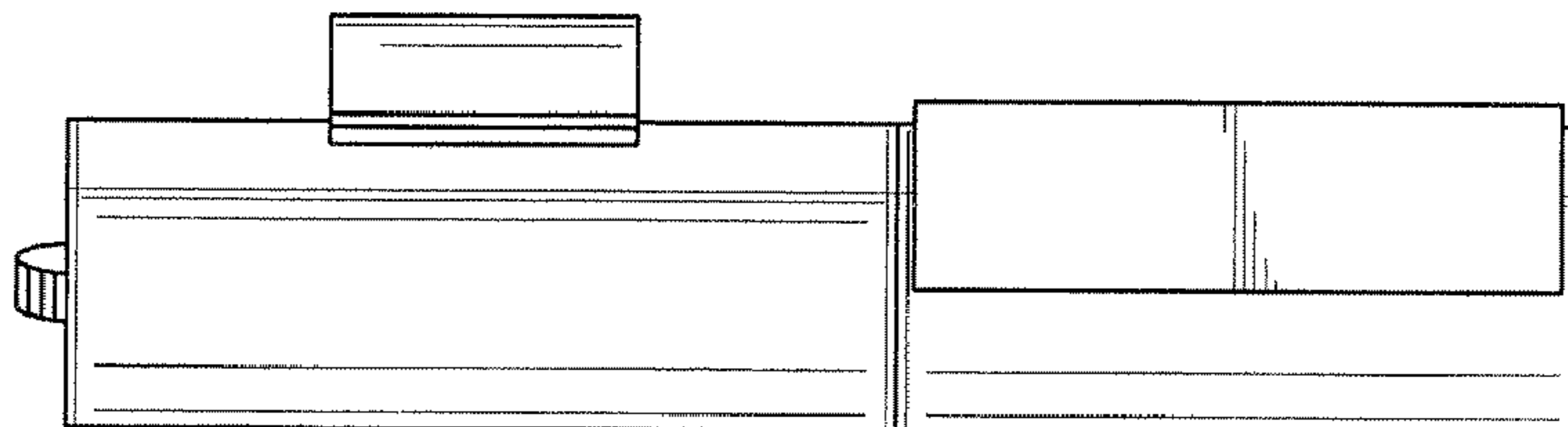


FIG. 7