



US00D556185S

(12) **United States Design Patent**
Motoishi

(10) **Patent No.:** **US D556,185 S**

(45) **Date of Patent:** **** Nov. 27, 2007**

(54) **COMBINED RADIO RECEIVER AND CLOCK**

(75) Inventor: **Takuya Motoishi**, Tokyo (JP)

(73) Assignee: **Sony Corporation**, Tokyo (JP)

(**) Term: **14 Years**

(21) Appl. No.: **29/266,975**

(22) Filed: **Oct. 3, 2006**

(51) **LOC (8) Cl.** **14-03**

(52) **U.S. Cl.** **D14/170; D10/2**

(58) **Field of Classification Search** D14/68,
D14/170, 171, 188, 193-198; D10/1, 2,
D10/15, 128; 312/7.1; 455/91, 95, 100,
455/128, 344, 347, 350, 351

See application file for complete search history.

(56) **References Cited**

U.S. PATENT DOCUMENTS

D241,977 S	*	10/1976	Katsuhiko et al.	D14/171
D245,909 S	*	9/1977	Kawano	D14/171
D327,260 S	*	6/1992	Davis et al.	D14/433
D359,285 S		6/1995	Niblett		
D414,491 S		9/1999	Kokkinis		
D430,135 S		8/2000	Isonaga		
D433,009 S	*	10/2000	Kokkinis	D14/171
D435,536 S		12/2000	Ishibashi		
D449,589 S		10/2001	Ishibashi et al.		

D450,680 S	*	11/2001	Yuyama	D14/198
D464,039 S	*	10/2002	Boesen	D14/223
D480,063 S	*	9/2003	Homewood et al.	D14/168
D496,649 S		9/2004	Murakami		
D499,715 S		12/2004	Zeitman		
D525,536 S	*	7/2006	Chan	D10/2

* cited by examiner

Primary Examiner—Mitchell Siegel

Assistant Examiner—Keli L. Acker

(74) *Attorney, Agent, or Firm*—Rader, Fishman & Grauer PLLC

(57) **CLAIM**

The ornamental design for a combined radio receiver and clock, as shown.

DESCRIPTION

FIG. 1 is a perspective view of a combined radio receiver and clock showing my new design;

FIG. 2 is a front elevational view thereof;

FIG. 3 is a rear elevational view thereof;

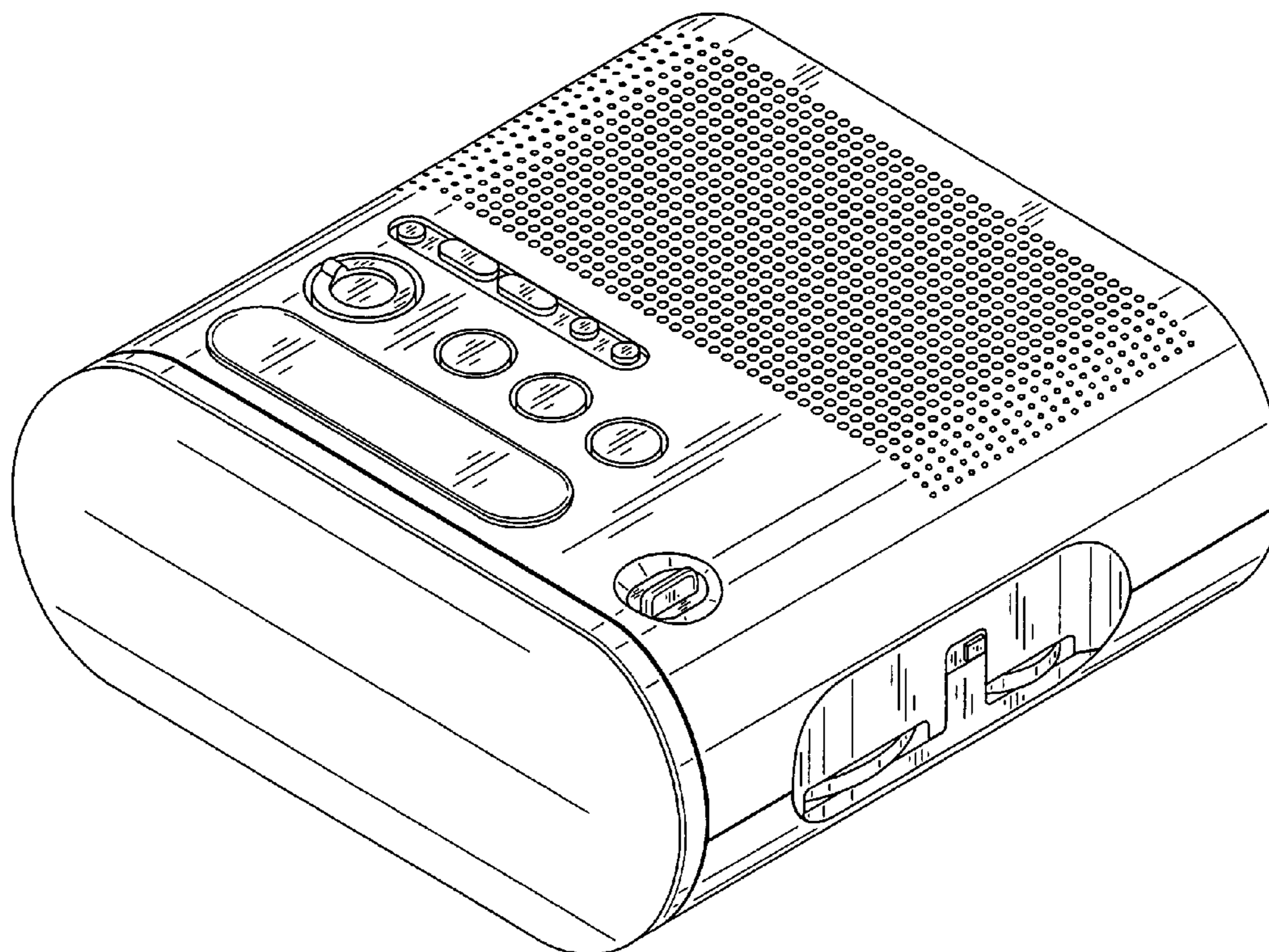
FIG. 4 is a left side elevational view thereof;

FIG. 5 is a right side elevational view thereof;

FIG. 6 is a top plan view thereof; and,

FIG. 7 is a bottom plan view thereof.

1 Claim, 7 Drawing Sheets



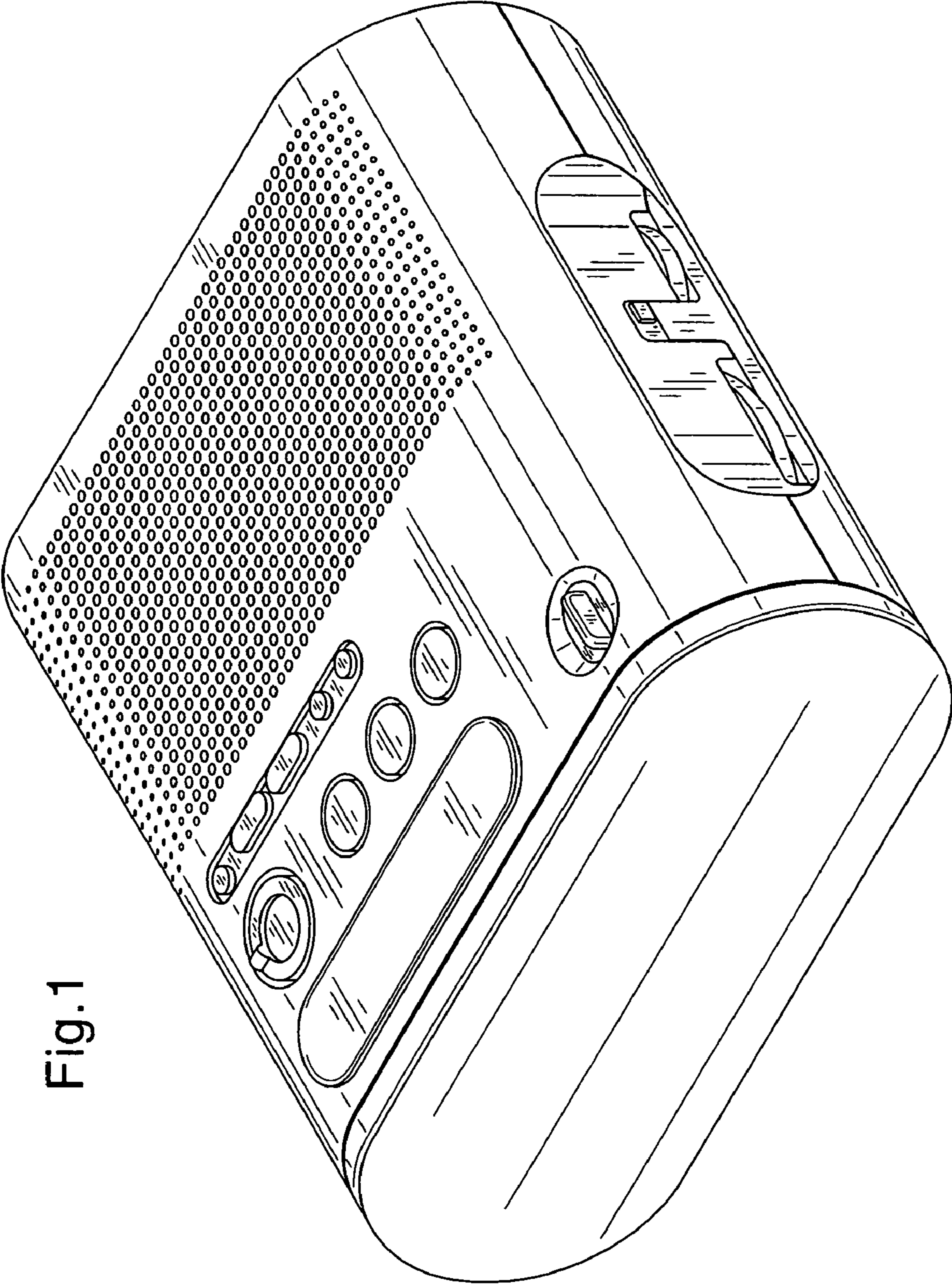


Fig.1

Fig. 2

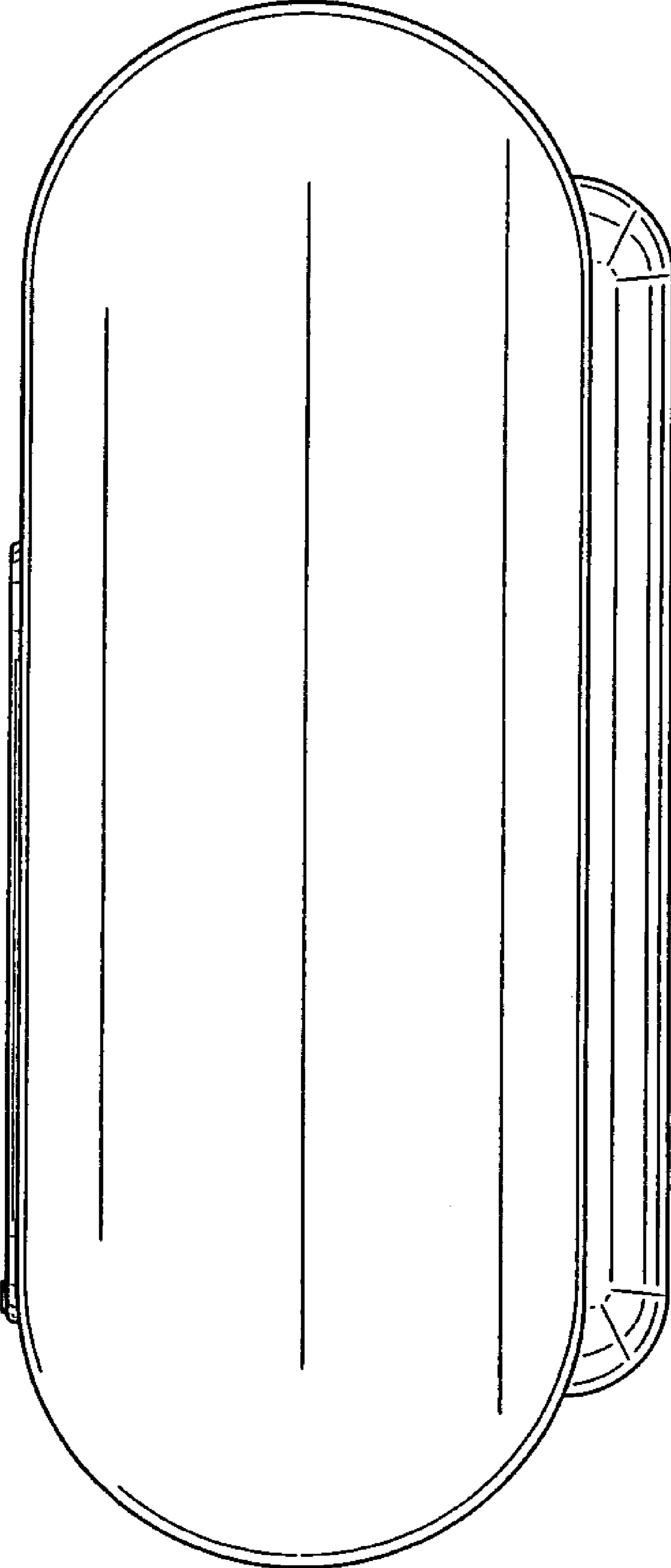


Fig. 3

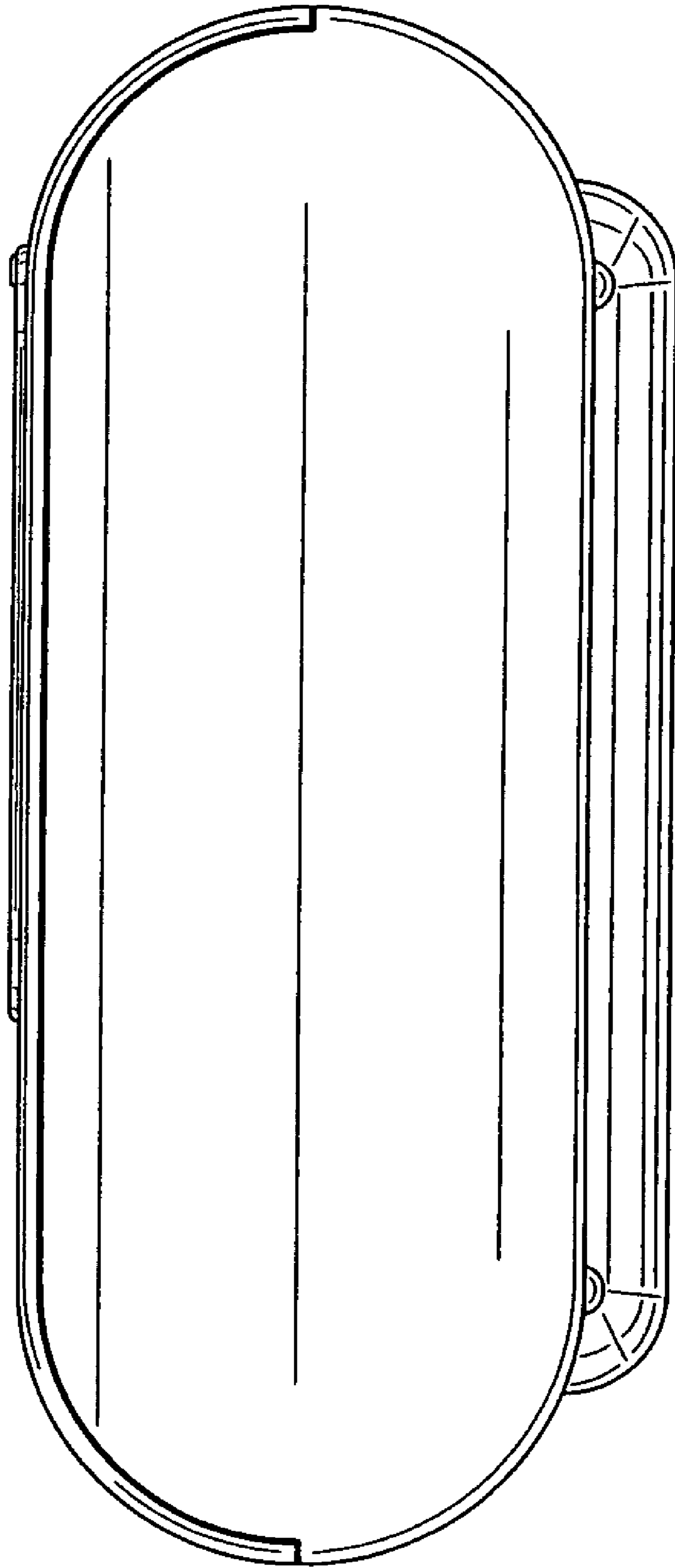


Fig.4

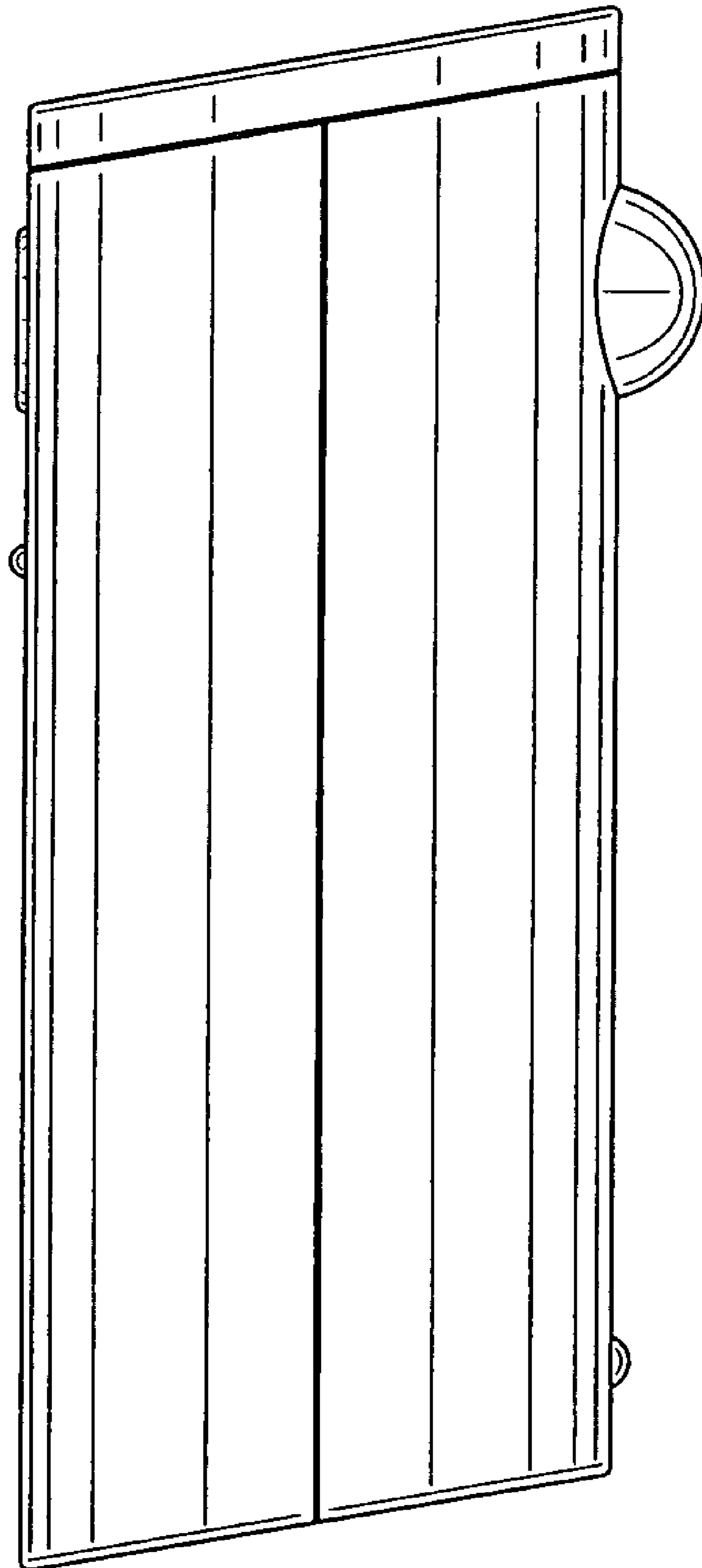
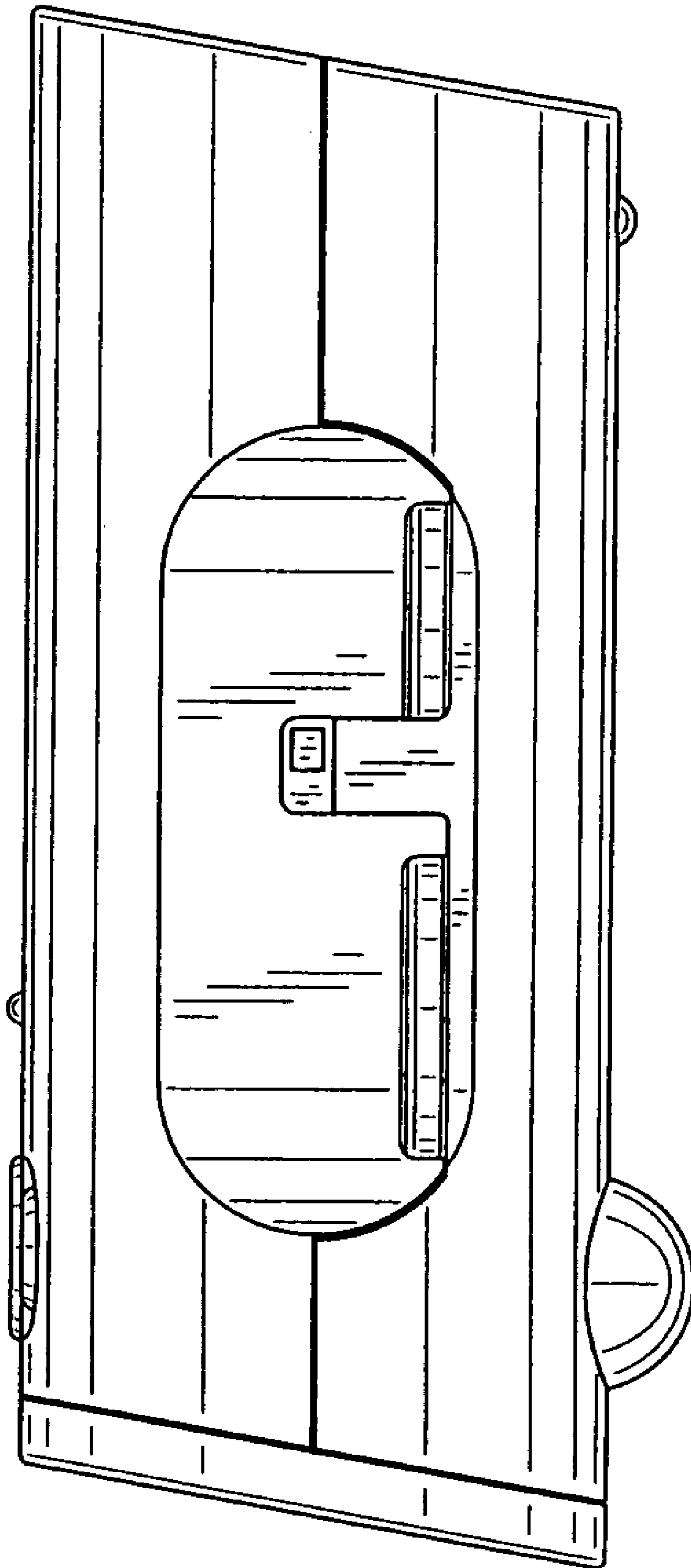


Fig. 5



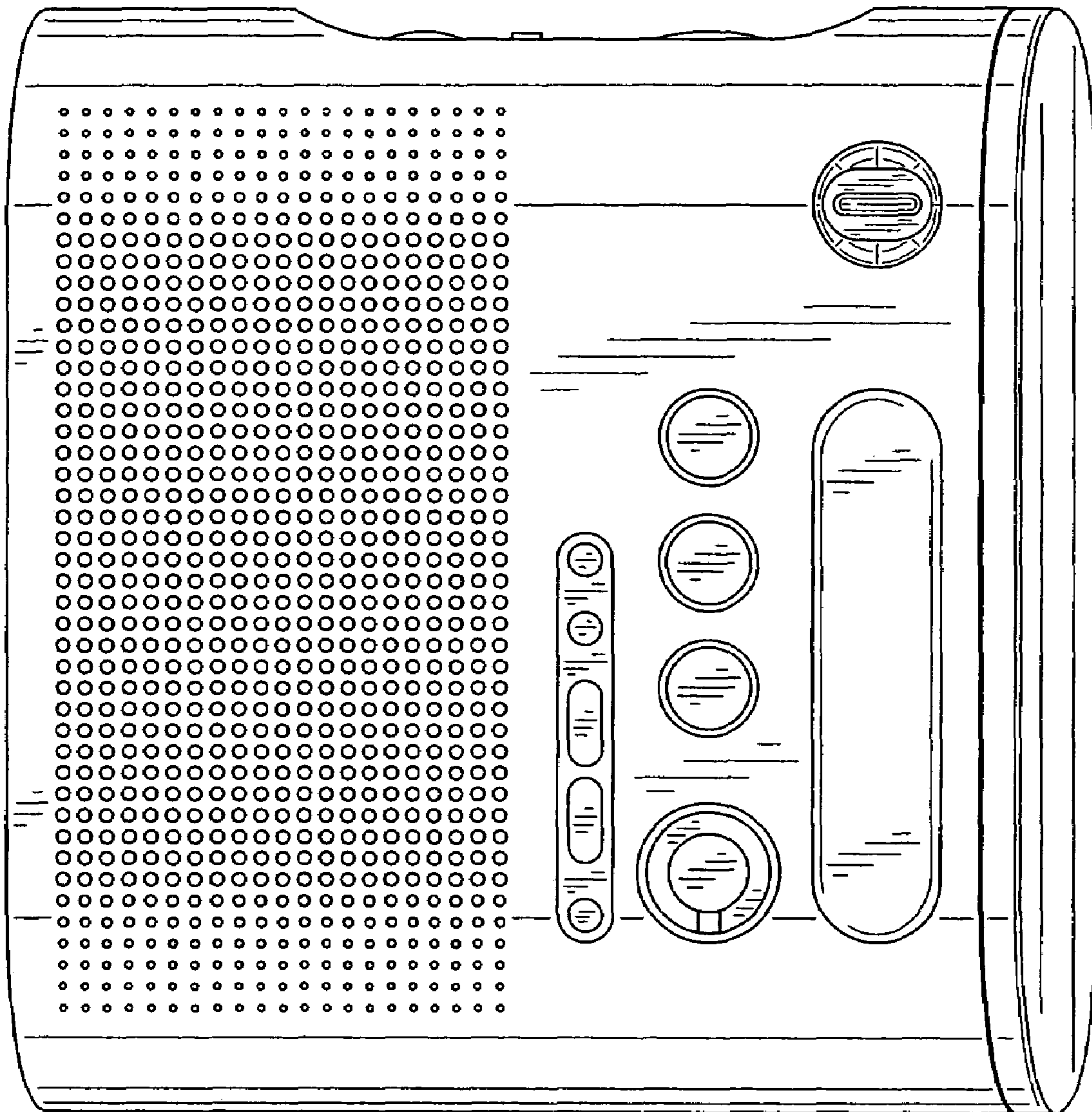


Fig.6

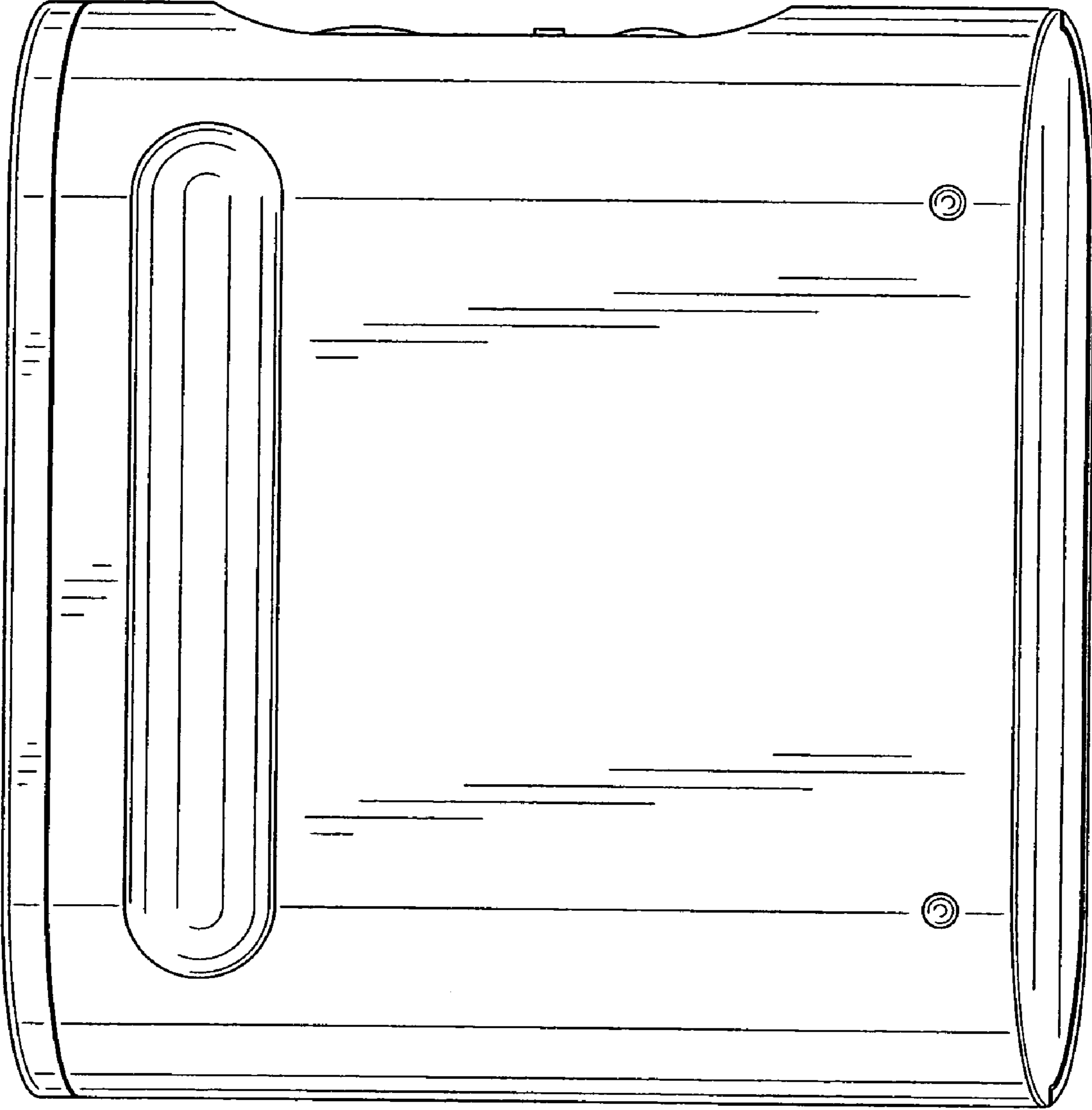


Fig. 7