



US00D556184S

(12) **United States Design Patent**
Uehara et al.

(10) **Patent No.:** **US D556,184 S**
(45) **Date of Patent:** **** Nov. 27, 2007**

(54) **DISC PLAYER**

(75) Inventors: **Mitsuhiro Uehara**, Tokyo (JP);
Takayuki Wada, Tokyo (JP)

(73) Assignee: **Sony Corporation**, Tokyo (JP)

(**) Term: **14 Years**

(21) Appl. No.: **29/268,302**

(22) Filed: **Nov. 3, 2006**

D446,781 S *	8/2001	Hori et al.	D14/157
D475,691 S	6/2003	Nishii et al.	
D481,373 S	10/2003	Sogabe	
D487,447 S	3/2004	Sadatsuki	
D487,448 S	3/2004	Sadatsuki	
D496,647 S	9/2004	Sogabe	
D496,648 S	9/2004	Uehara	
D506,456 S	6/2005	Shindo	
6,946,971 B2	9/2005	Matumoto et al.	
D517,034 S	3/2006	Takuma	
D517,035 S	3/2006	Sogabe	
D528,088 S	9/2006	Suzuki	

Related U.S. Application Data

(62) Division of application No. 29/240,863, filed on Oct. 20, 2005, now Pat. No. Des. 542,261.

Foreign Application Priority Data

May 31, 2005 (JP) D2005-015625

(51) **LOC (8) Cl.** **14-01**

(52) **U.S. Cl.** **D14/156; D14/157**

(58) **Field of Classification Search** D14/135-136,
D14/156-157, 167-168, 192-198, 188, 257,
D14/258, 445; 360/99.02, 99.07; 369/75.11,
369/75.21, 77.21, 77.11; 720/612, 619, 647,
720/655; 455/344, 347-351

See application file for complete search history.

(56) **References Cited**

U.S. PATENT DOCUMENTS

D400,529 S	11/1998	Kakizaki	
D436,089 S *	1/2001	Nishiwaki et al.	D14/135
D437,841 S	2/2001	Kakizaki et al.	

* cited by examiner

Primary Examiner—Nanda Bondade

(74) *Attorney, Agent, or Firm*—Rader, Fishman & Grauer PLLC

(57) **CLAIM**

The ornamental design for a disc player, as shown.

DESCRIPTION

FIG. 1 is a perspective view of a disc player showing our new design;

FIG. 2 is a front elevational view thereof;

FIG. 3 is a rear elevational view thereof;

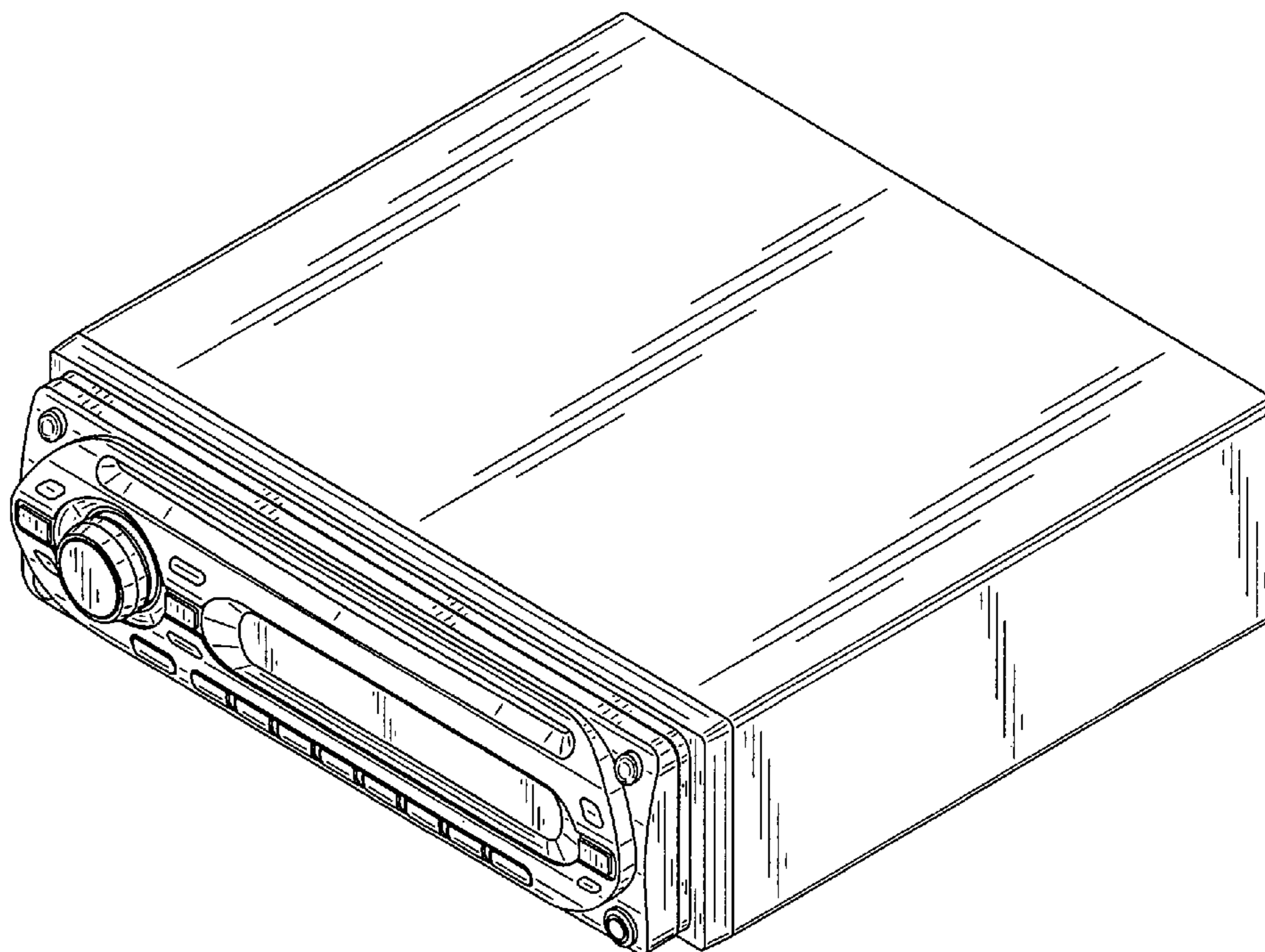
FIG. 4 is a left side elevational view thereof;

FIG. 5 is a right side elevational view thereof;

FIG. 6 is a top plan view thereof; and,

FIG. 7 is a bottom plan view thereof.

1 Claim, 7 Drawing Sheets



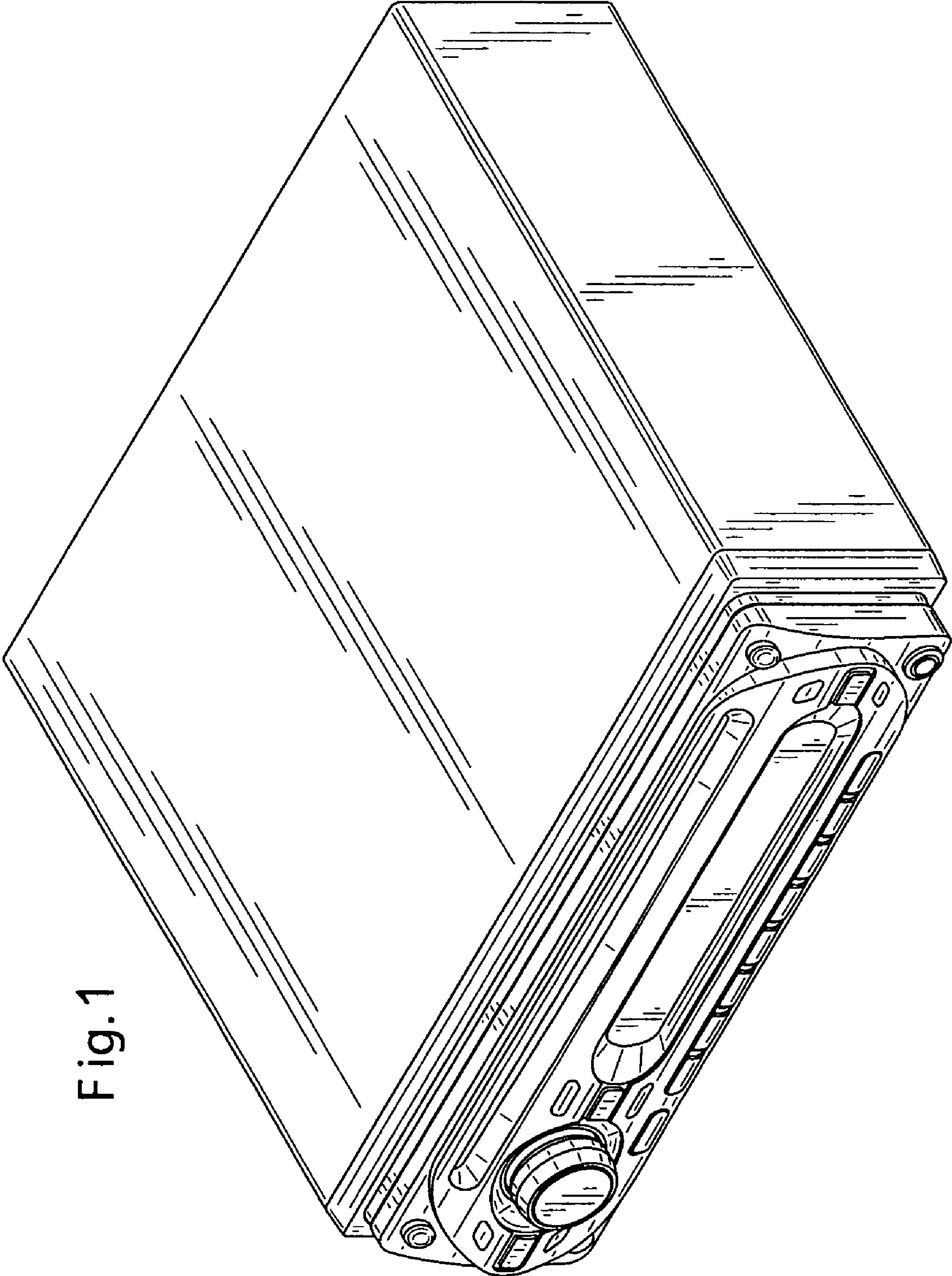


Fig. 1

Fig.2

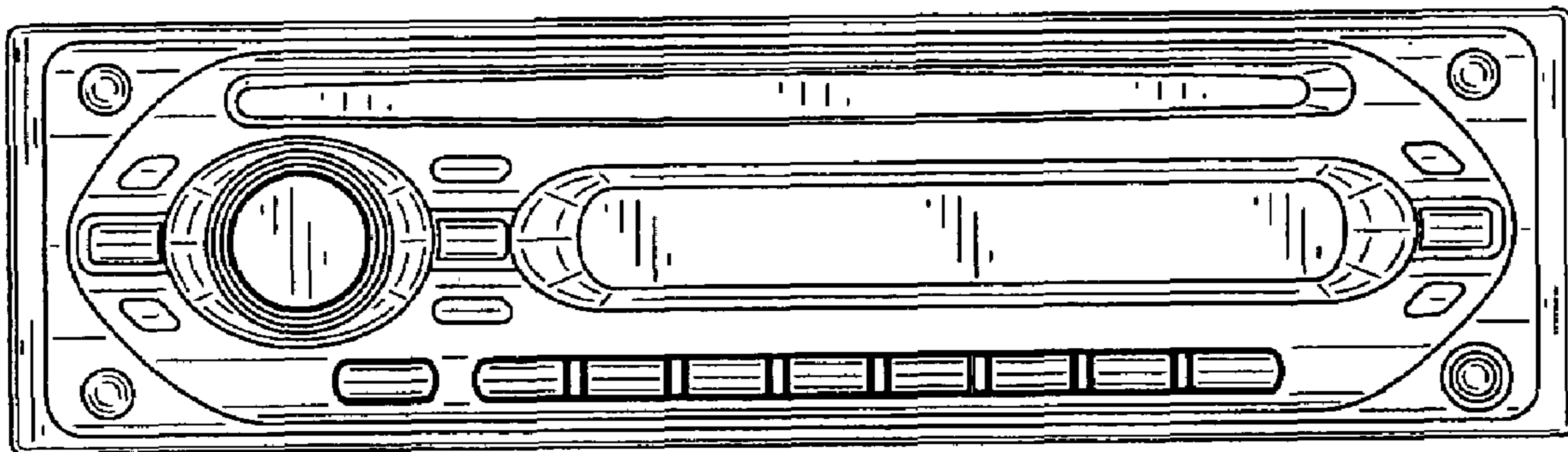


Fig.3

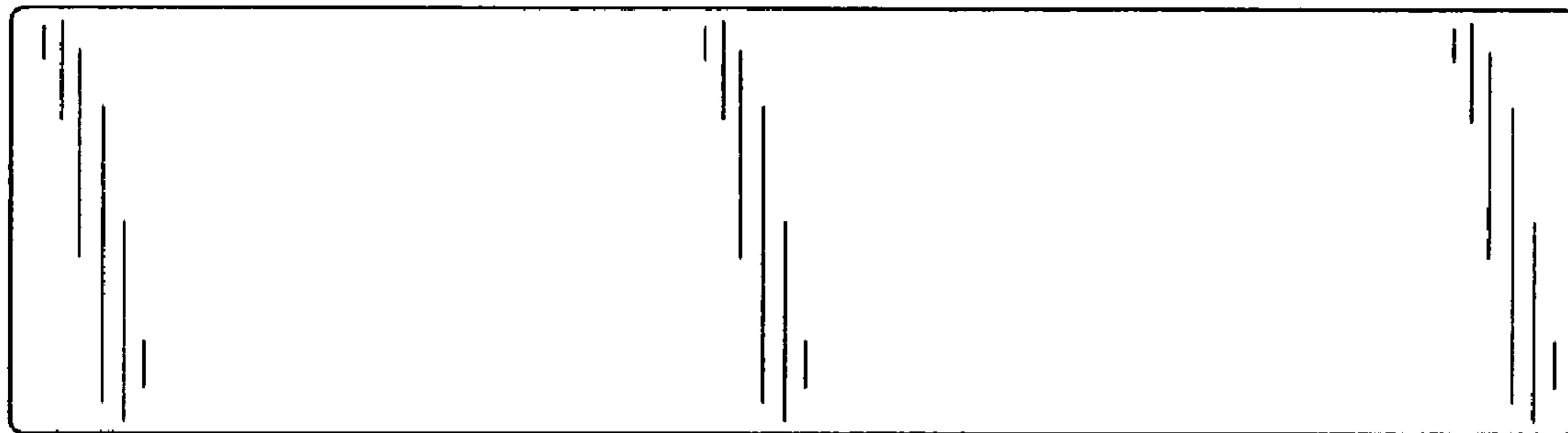


Fig.4

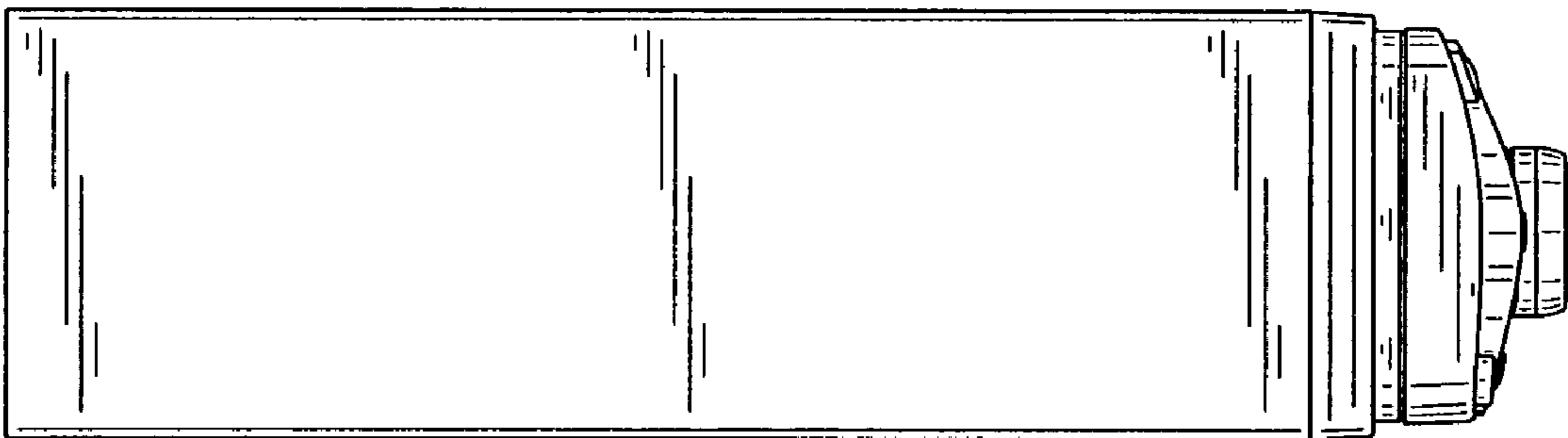


Fig. 5

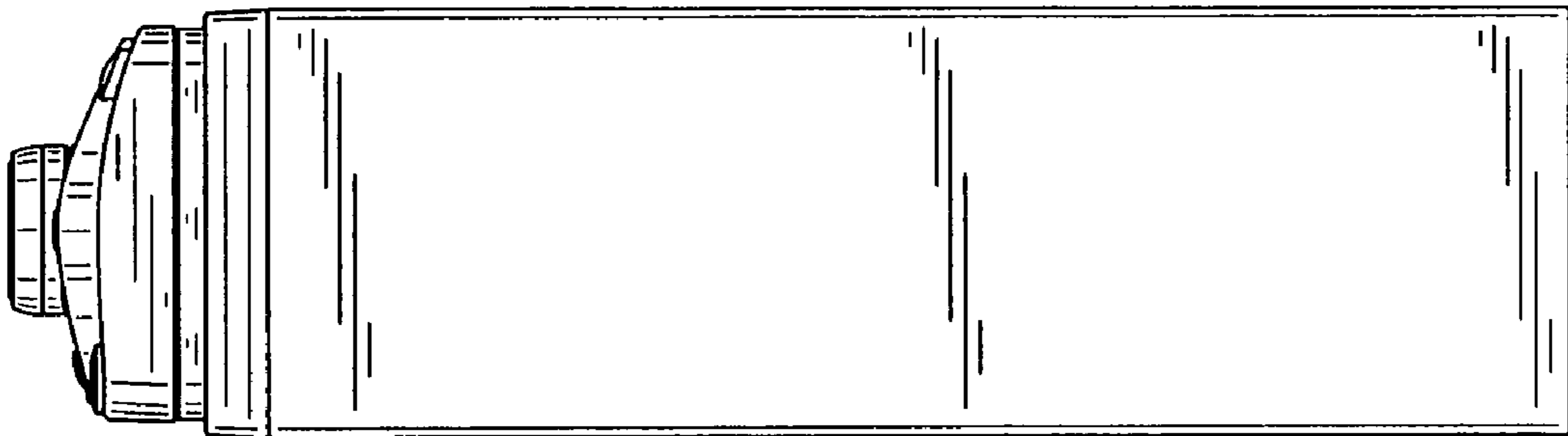


Fig.6

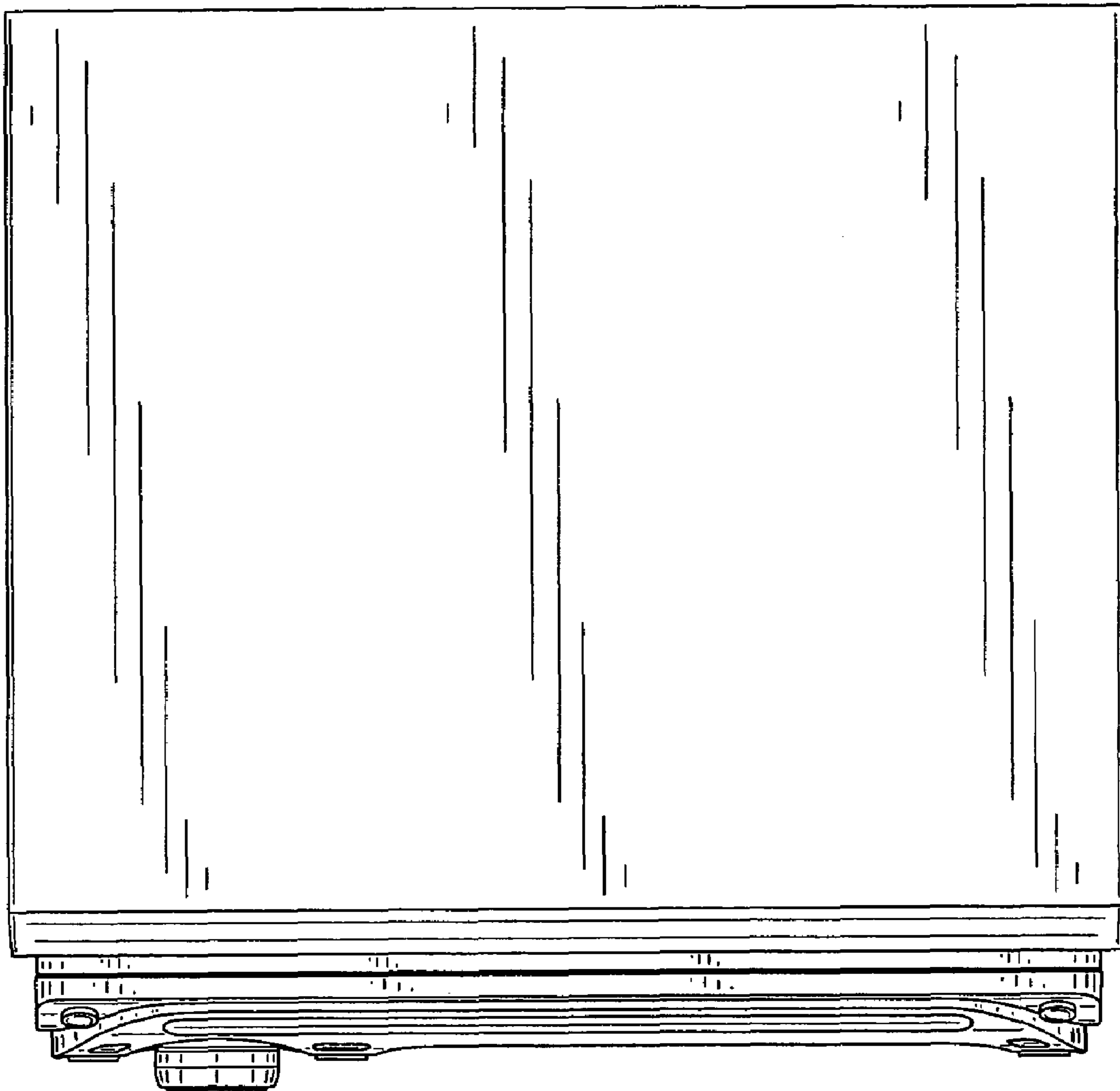


Fig. 7

