



US00D556182S

(12) **United States Design Patent**
Tsai

(10) **Patent No.:** **US D556,182 S**

(45) **Date of Patent:** **** Nov. 27, 2007**

(54) **INTERNET PHONE**

(75) Inventor: **Chieh-Ming Tsai**, Taipei (TW)

(73) Assignee: **Inventec Multimedia & Telecom Corporation**, Taipei (TW)

(**) Term: **14 Years**

(21) Appl. No.: **29/259,422**

(22) Filed: **May 9, 2006**

(51) **LOC (8) Cl.** **14-03**

(52) **U.S. Cl.** **D14/151**

(58) **Field of Classification Search** D14/147-151,
D14/137, 138, 144, 140, 142, 240, 248, 329,
D14/330; 379/419, 440, 434-436, 454, 455,
379/202.1, 420.01-420.03, 428.01-428.03;
455/550.1-90.3

See application file for complete search history.

(56) **References Cited**

U.S. PATENT DOCUMENTS

- D285,069 S * 8/1986 Tsukamoto et al. D14/151
- D348,459 S * 7/1994 Yamagishi et al. D14/150
- D353,815 S * 12/1994 Mo D14/151
- D355,652 S * 2/1995 Lee et al. D14/149

- D389,144 S * 1/1998 Hua D14/151
- D414,766 S * 10/1999 Delhaes D14/151
- D426,535 S * 6/2000 Zeitman D14/151
- D448,011 S * 9/2001 Danner et al. D14/151

* cited by examiner

Primary Examiner—Terry A Wallace

(74) *Attorney, Agent, or Firm*—Rabin & Berdo, P.C.

(57) **CLAIM**

The ornamental design for “internet phone,” as shown and described.

DESCRIPTION

FIG. 1 is a perspective view of the internet phone showing my new design;

FIG. 2 is a front view thereof;

FIG. 3 is a rear view thereof;

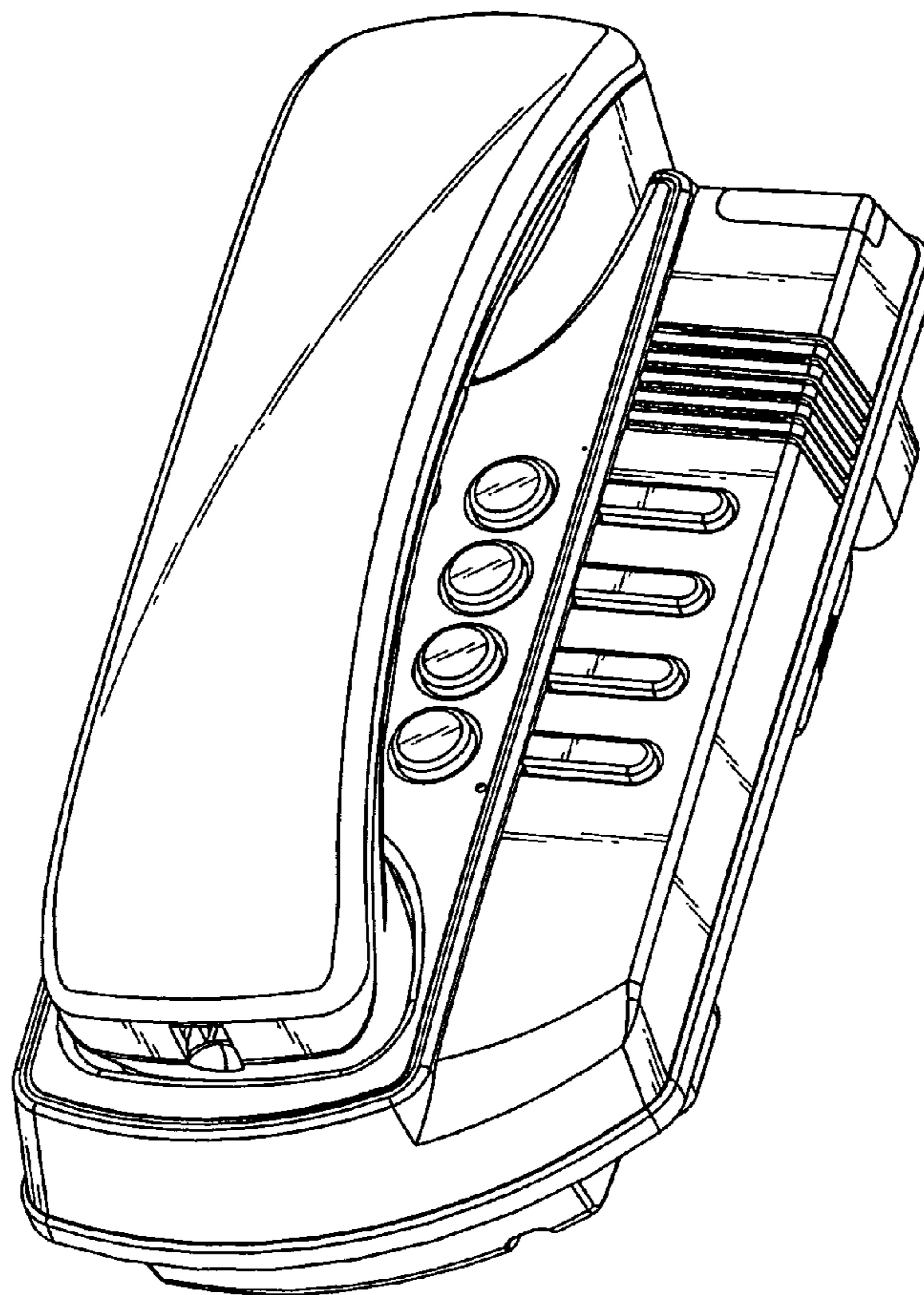
FIG. 4 is a left side elevational view thereof;

FIG. 5 is a right side elevational view thereof;

FIG. 6 is a top view thereof; and,

FIG. 7 is a bottom view thereof.

1 Claim, 6 Drawing Sheets



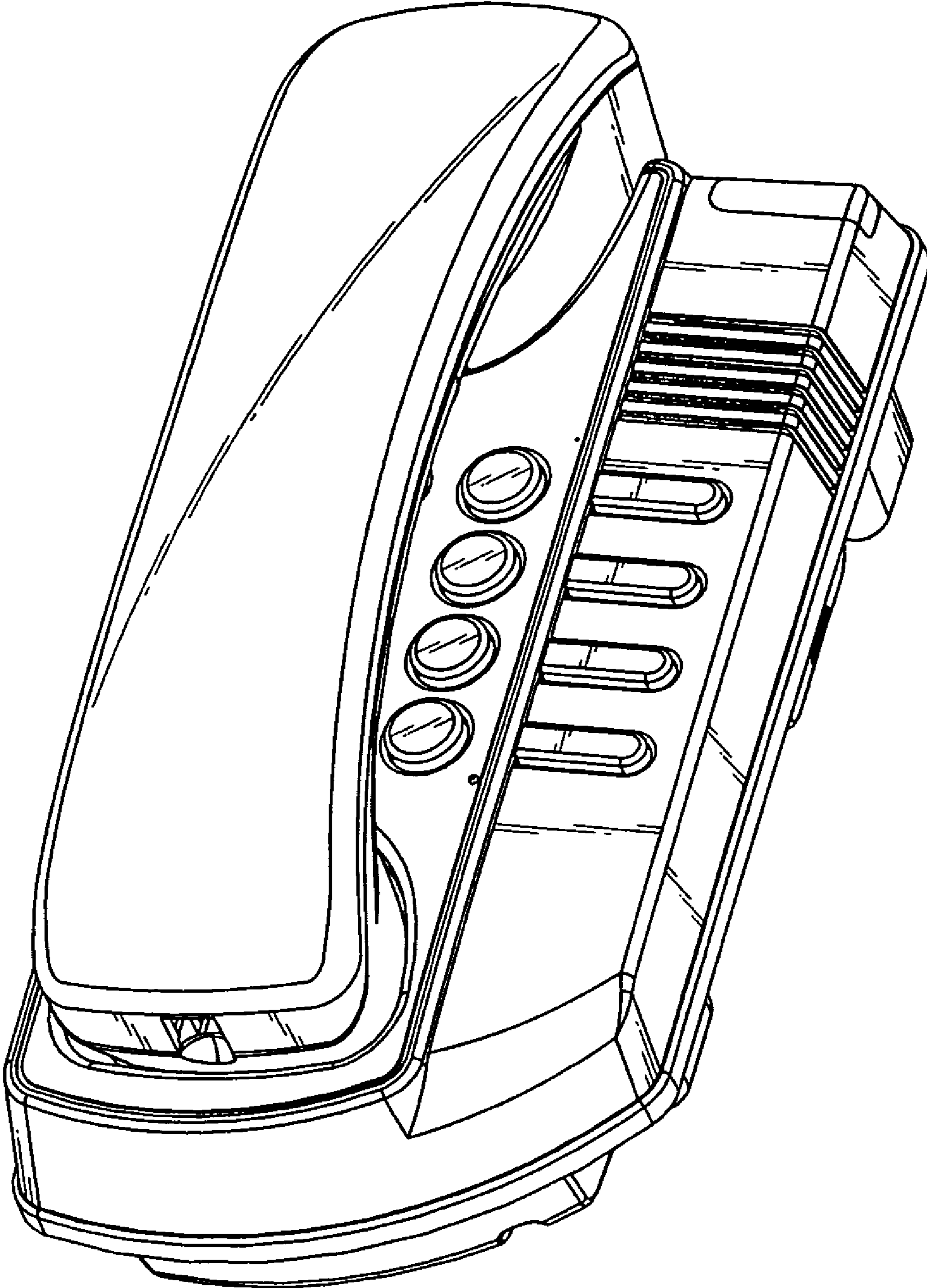


FIG. 1

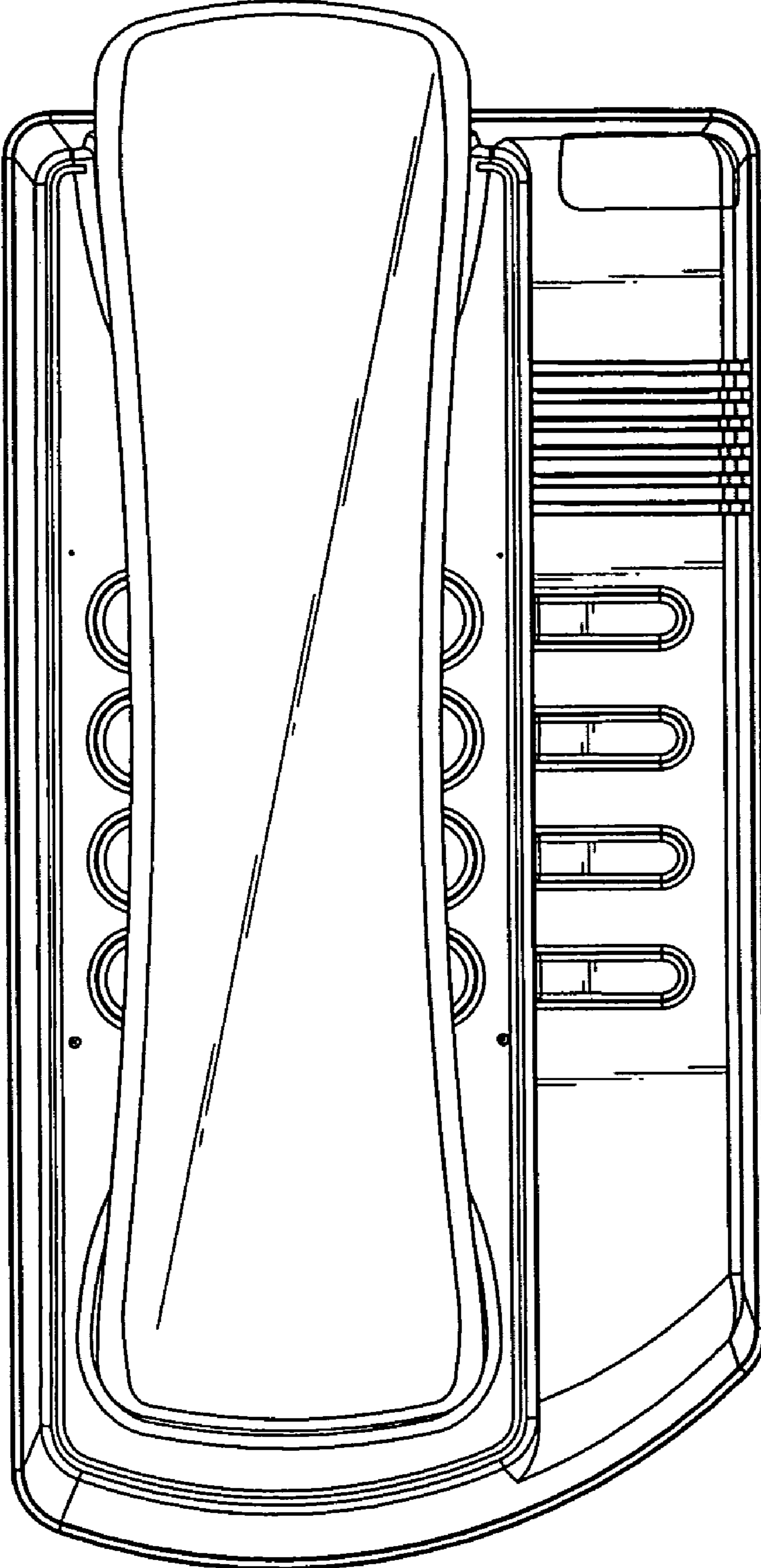


FIG.2

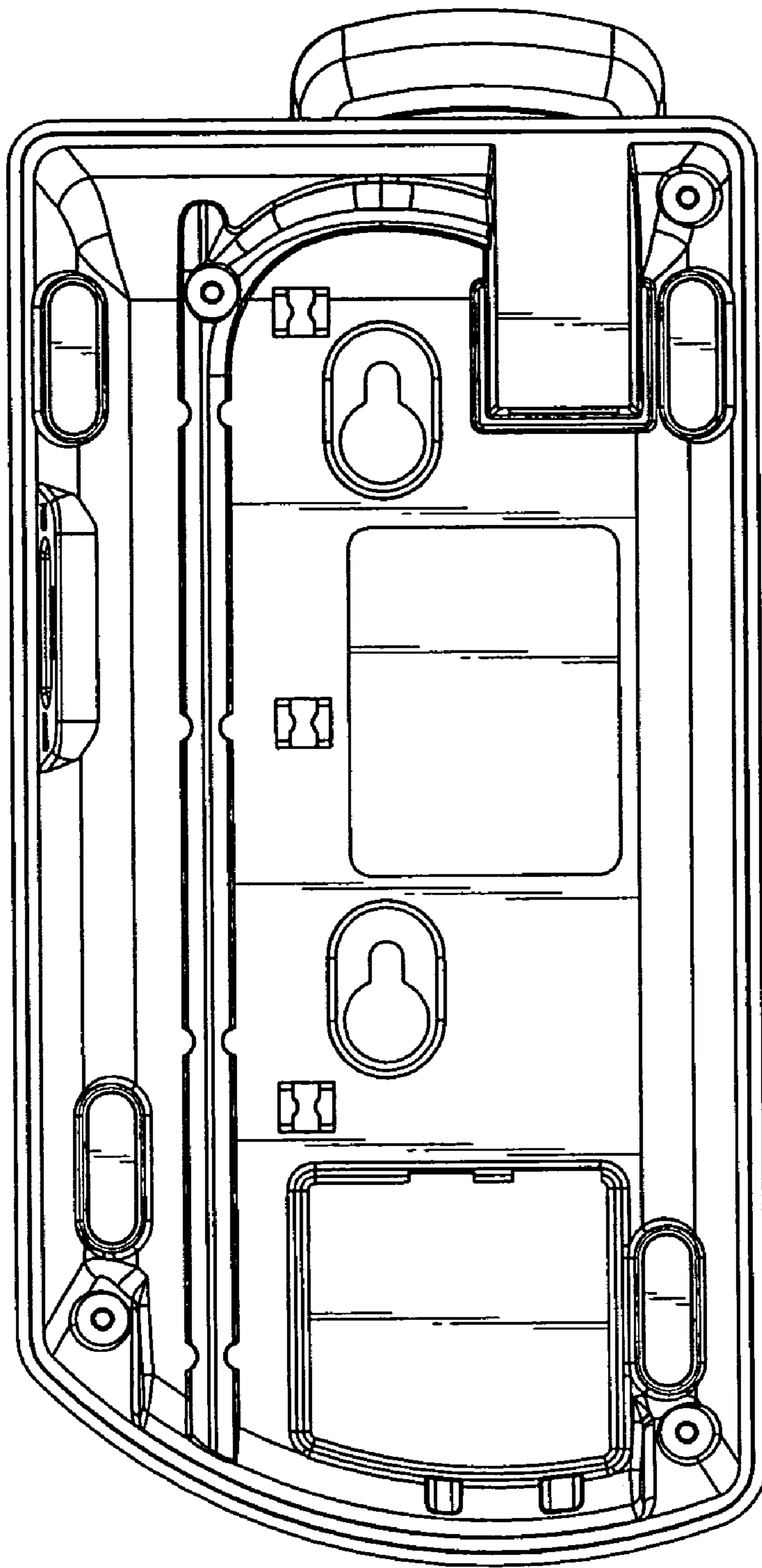


FIG.3

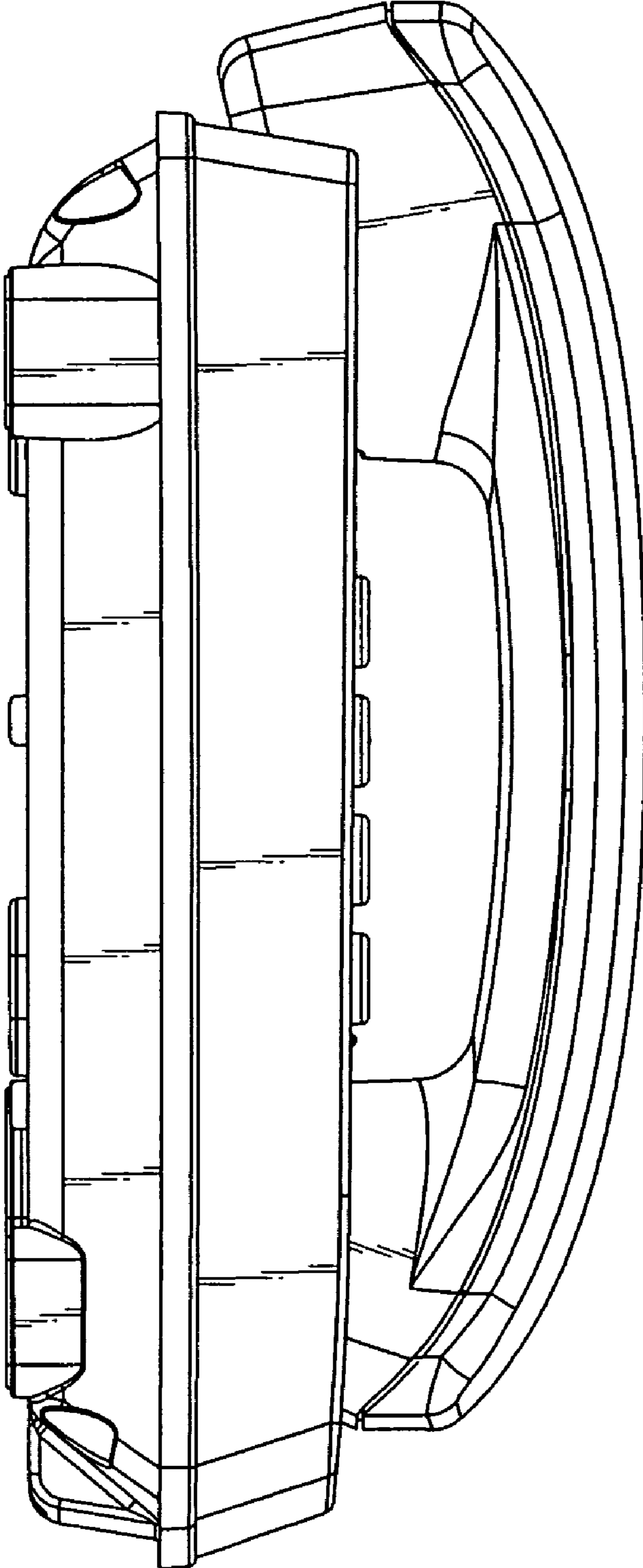


FIG.4

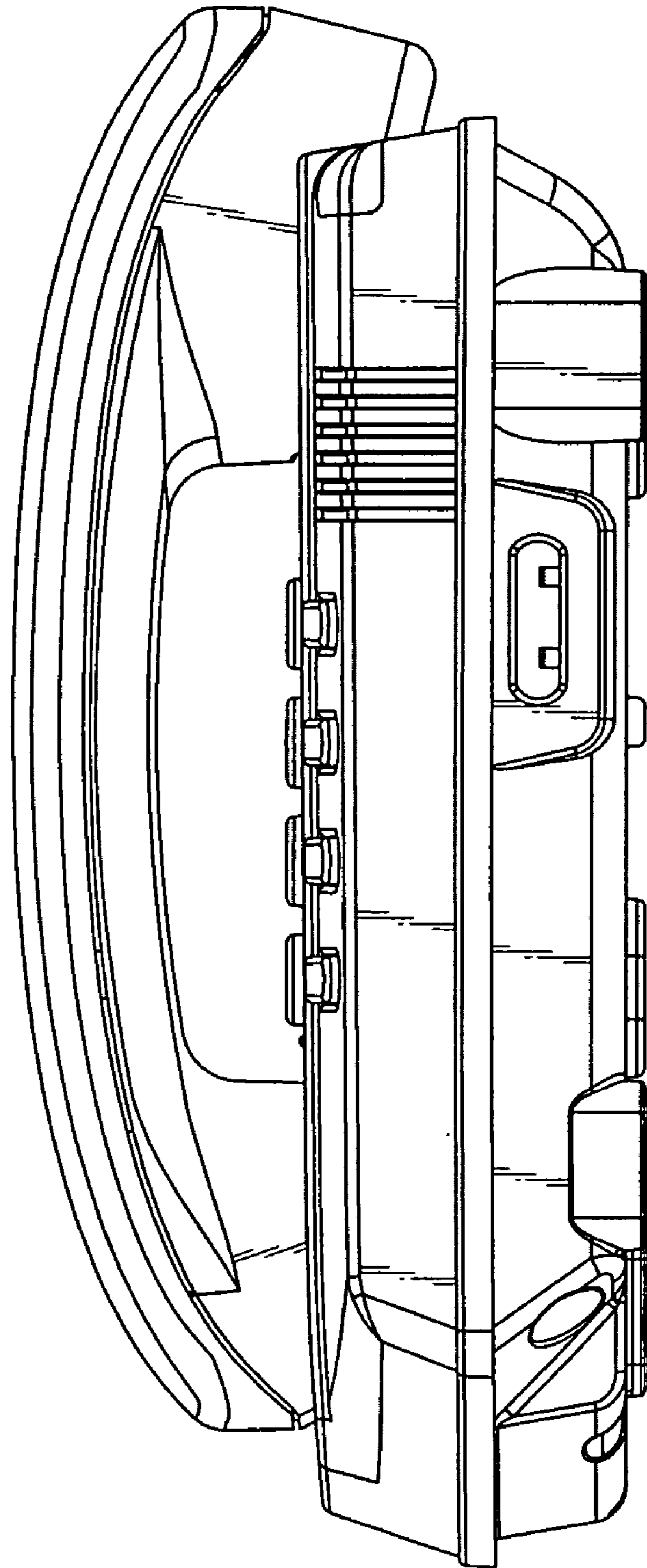


FIG.5

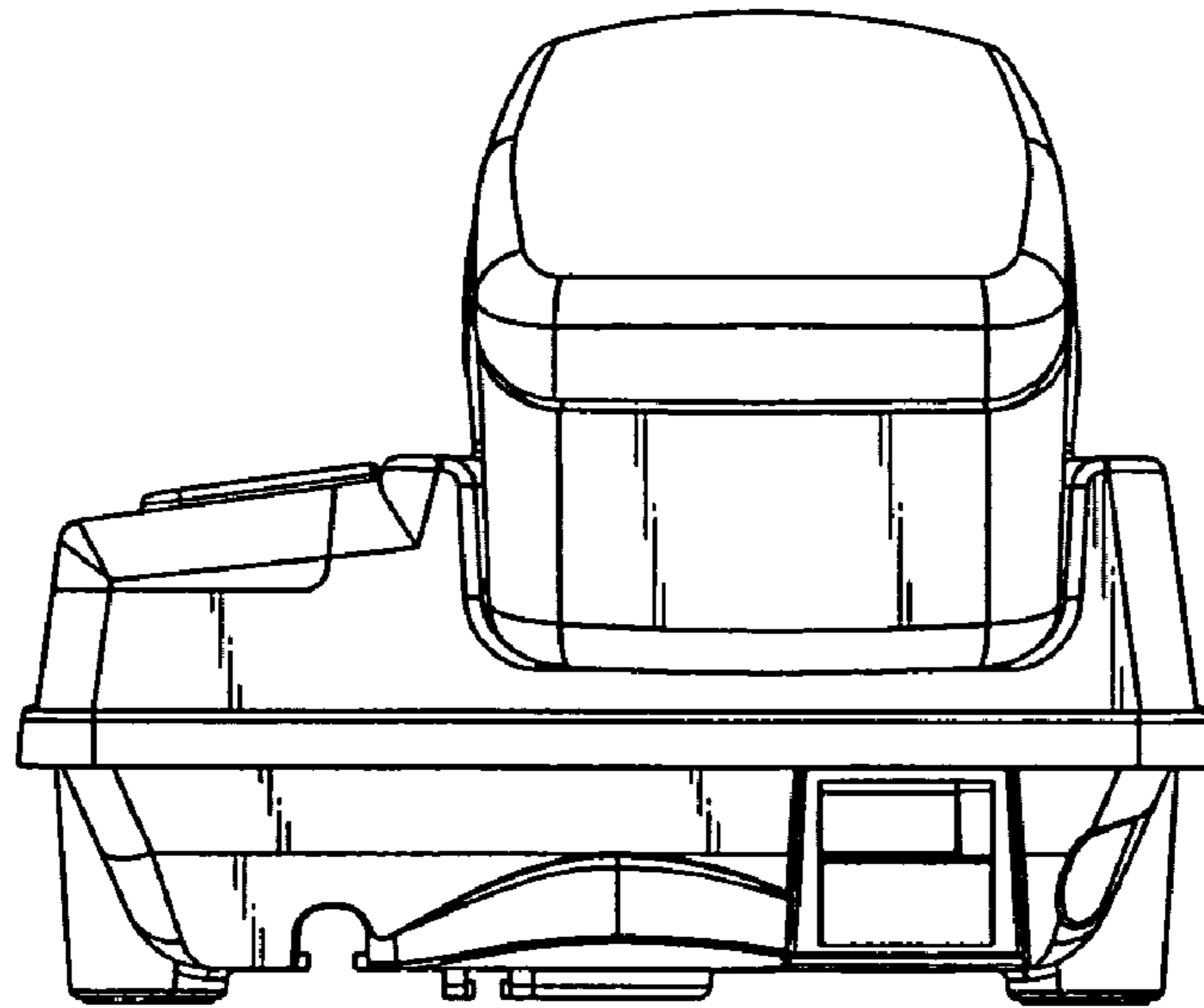


FIG. 6

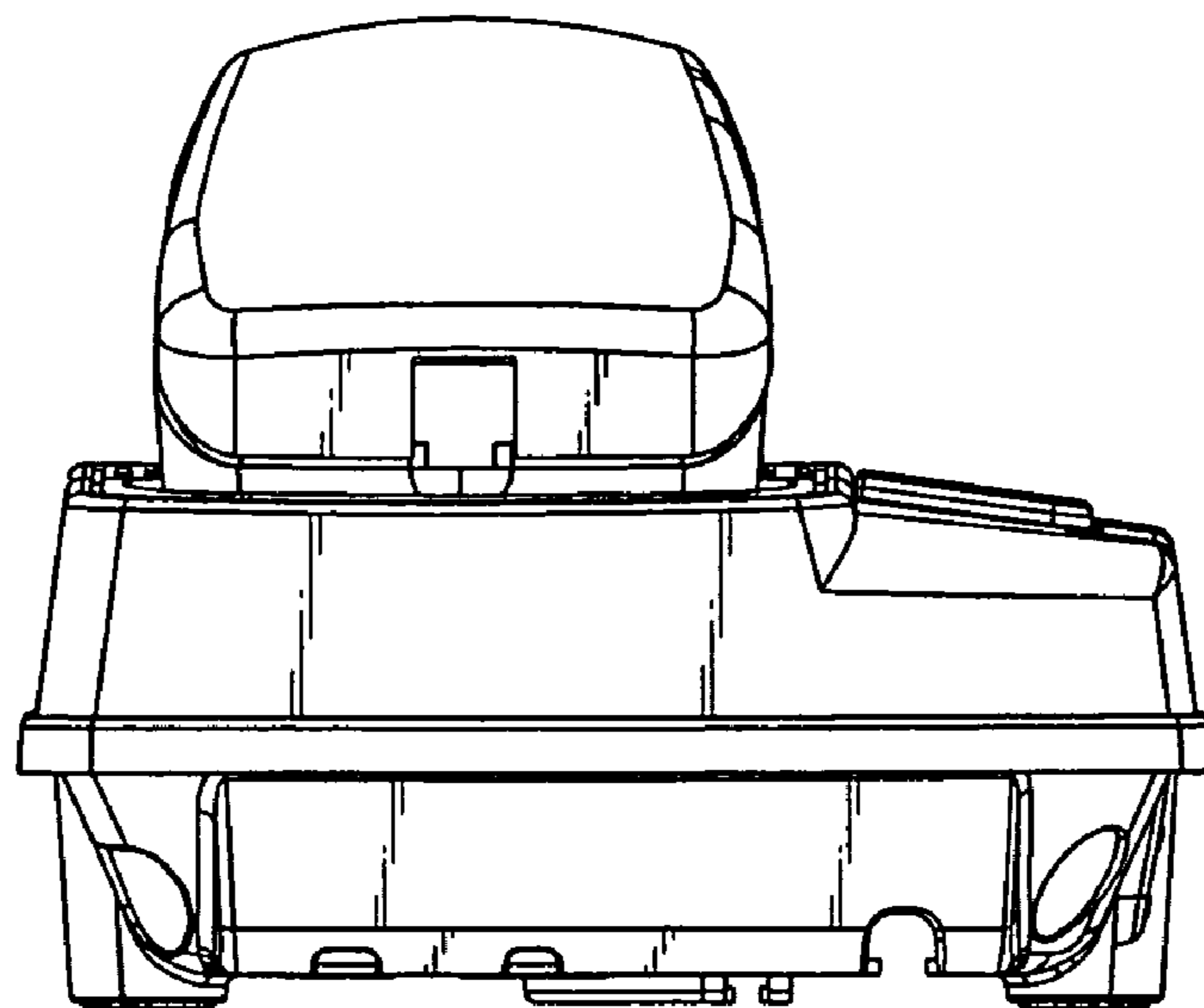


FIG. 7