



US00D556181S

(12) **United States Design Patent**
Liu

(10) **Patent No.:** **US D556,181 S**

(45) **Date of Patent:** **** *Nov. 27, 2007**

(54) **INTERNET PHONE**

(75) Inventor: **Hsing-Cheng Liu, Taipei (TW)**

(73) Assignee: **Inventec Multimedia & Telecom Corporation, Taipei (TW)**

(*) Notice: This patent is subject to a terminal disclaimer.

(**) Term: **14 Years**

(21) Appl. No.: **29/259,421**

(22) Filed: **May 9, 2006**

(51) **LOC (8) Cl.** **14-03**

(52) **U.S. Cl.** **D14/151**

(58) **Field of Classification Search** D14/125-130,
D14/140-140.1, 142, 144, 140.7-140.11,
D14/149-151, 240, 248; 379/419, 420.01,
379/434-436, 428.01-428.04, 440-442,
379/454-455, 88.17, 90.01, 93.17; 382/103;
455/566

See application file for complete search history.

(56) **References Cited**

U.S. PATENT DOCUMENTS

D427,985	S	*	7/2000	Takayama et al.	D14/151
D428,000	S	*	7/2000	Takayama et al.	D14/140.9
D439,231	S	*	3/2001	Song	D14/144
6,445,793	B1	*	9/2002	Vassallo et al.	379/428.01
D472,227	S	*	3/2003	Takayama et al.	D14/151
D490,394	S	*	5/2004	Taniguchi et al.	D14/151
D499,078	S	*	11/2004	Abe et al.	D14/151

D529,477	S	*	10/2006	Hsu	D14/151
D530,303	S	*	10/2006	Tang	D14/151
D536,328	S	*	2/2007	Chou et al.	D14/151
D537,065	S	*	2/2007	Chen	D14/151
2004/0234071	A1	*	11/2004	Bae et al.	379/419
2005/0069126	A1	*	3/2005	Xue	379/454

OTHER PUBLICATIONS

“Cisco 7971G IP Phone”, 4 p including photo, [online],
<URL:http://voipstore.atacomm.com/Shops/ViewItem.aspx/
27934028032-45525625856.htm>, site visited Apr. 27, 2007.*

* cited by examiner

Primary Examiner—Jeffrey Asch

Assistant Examiner—Carla Jobe Wright

(74) *Attorney, Agent, or Firm*—Rabin & Berdo, P.C.

(57) **CLAIM**

The ornamental design for “internet phone,” as shown and described.

DESCRIPTION

FIG. 1 is a perspective view of an internet phone showing my new design;

FIG. 2 is a front view thereof;

FIG. 3 is a rear view thereof;

FIG. 4 is a left side elevational view thereof;

FIG. 5 is a right side elevational view thereof;

FIG. 6 is a top view thereof; and,

FIG. 7 is a bottom view thereof.

1 Claim, 7 Drawing Sheets

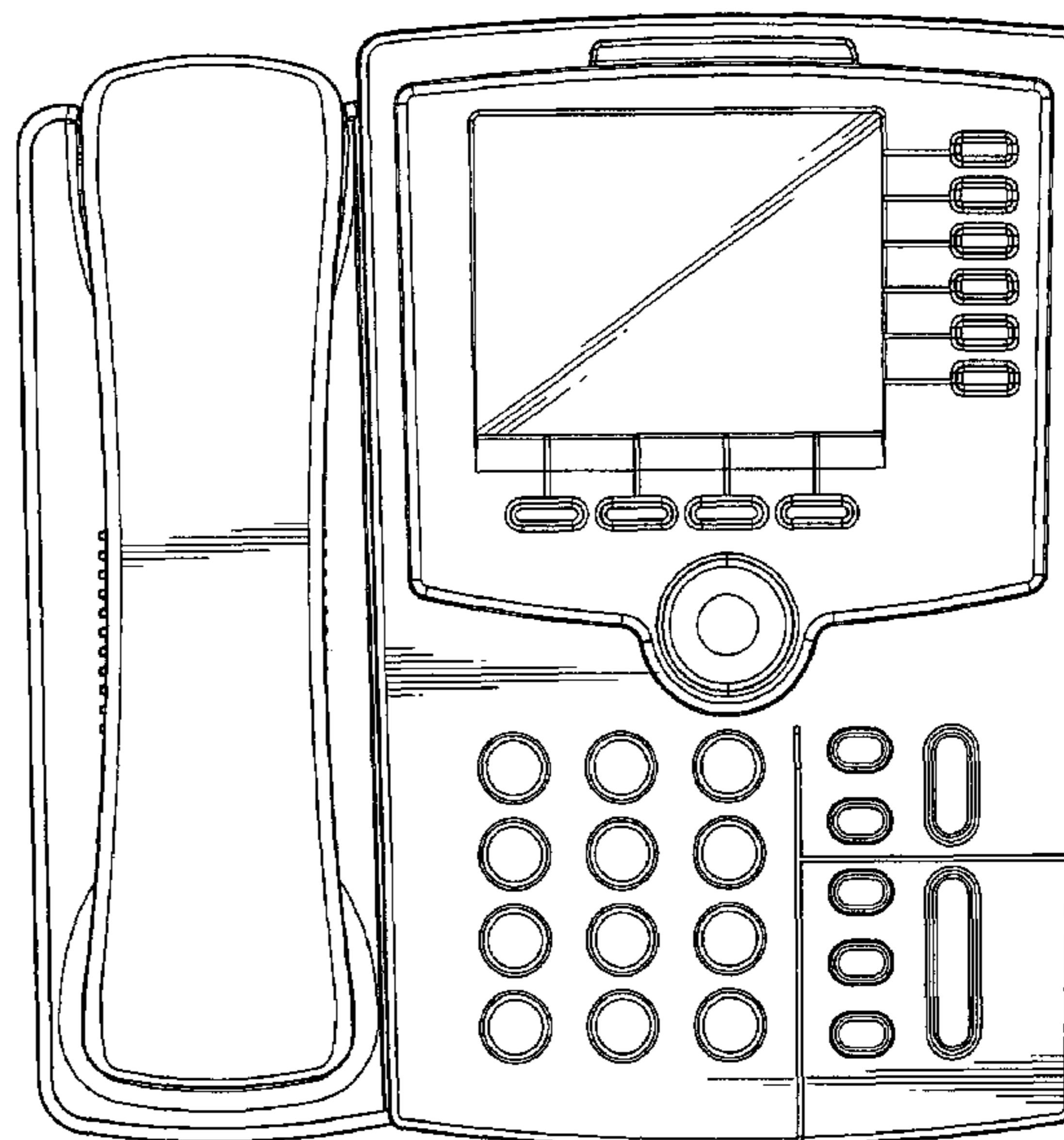




FIG.1

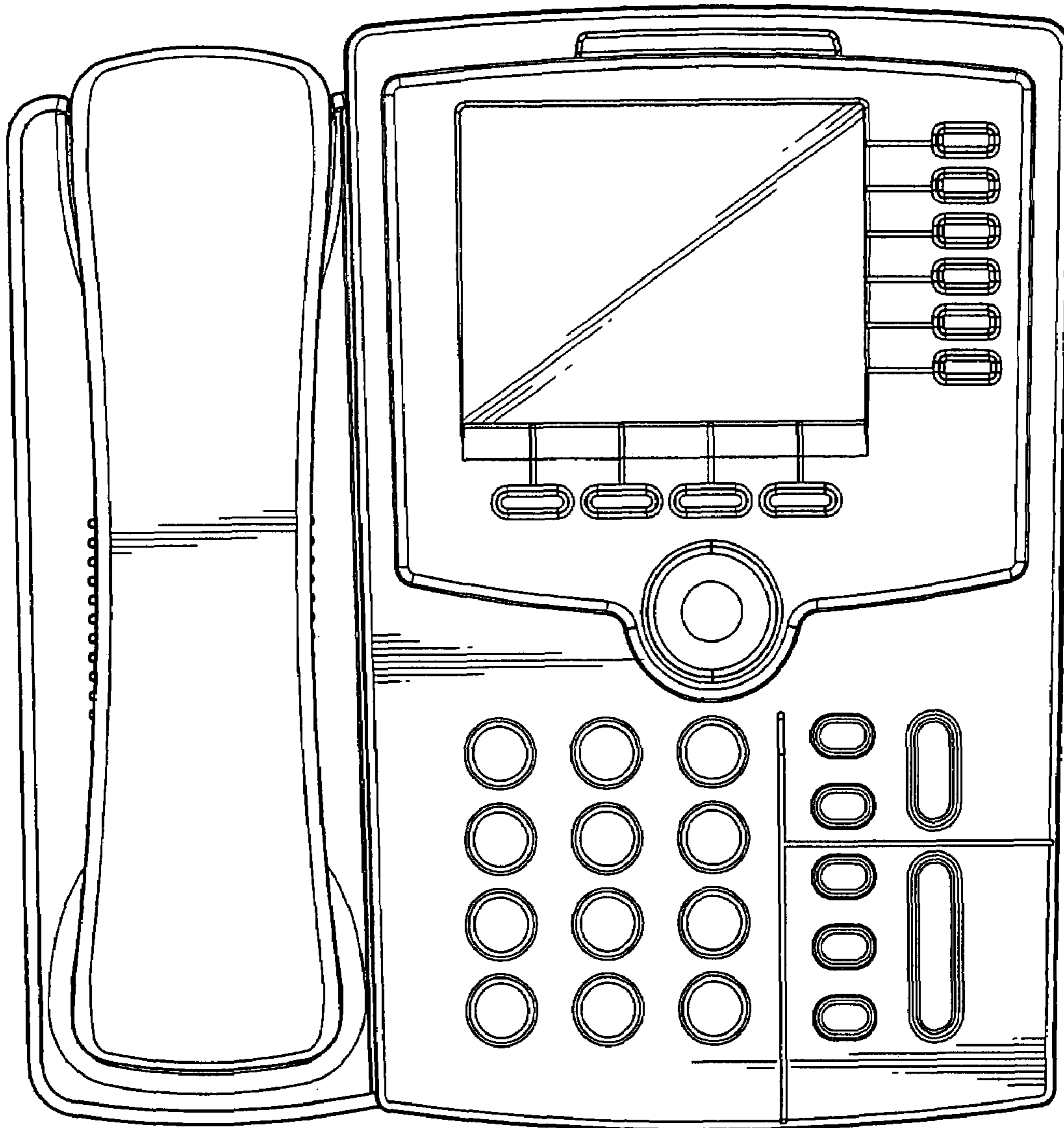


FIG.2

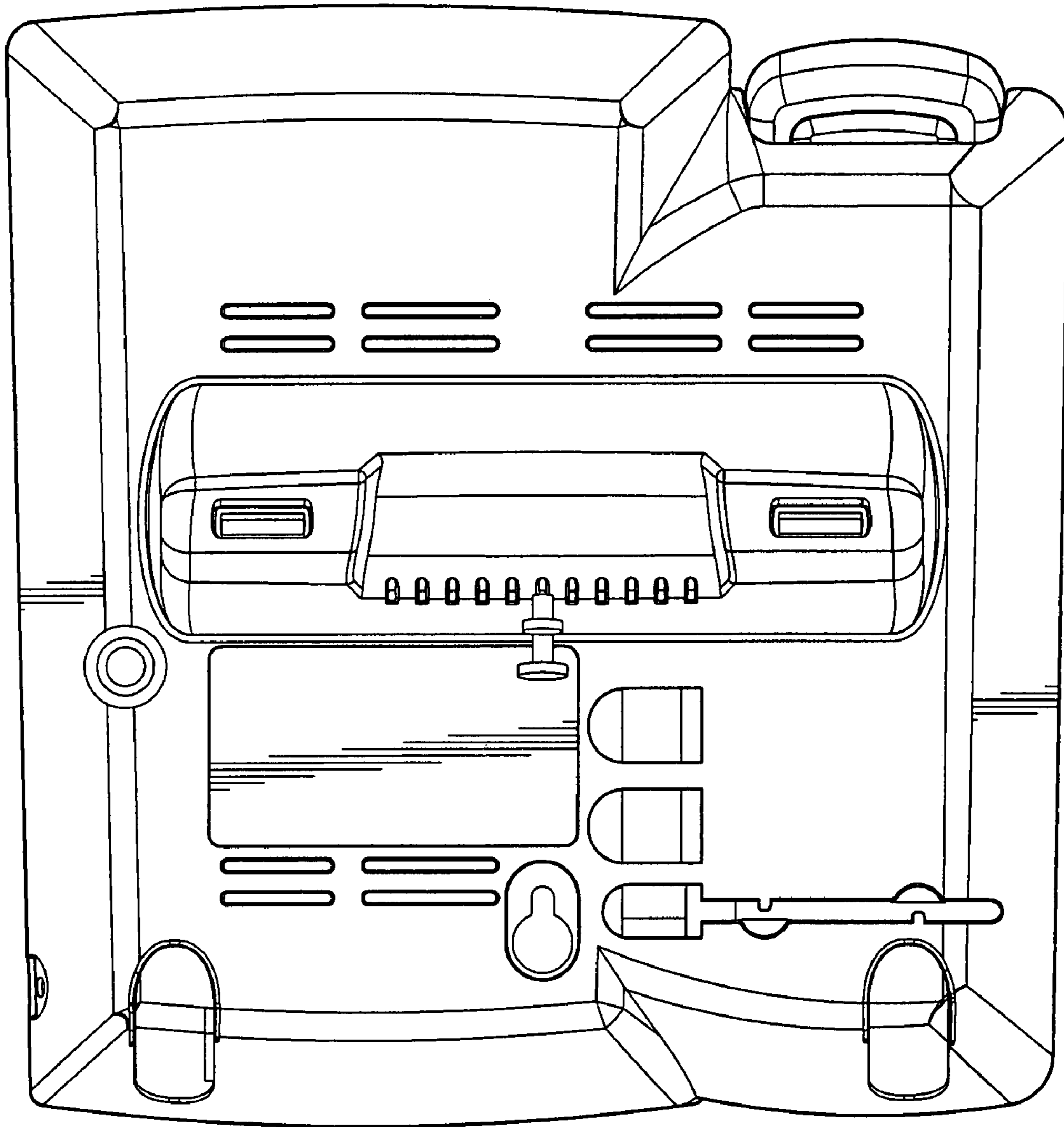


FIG.3

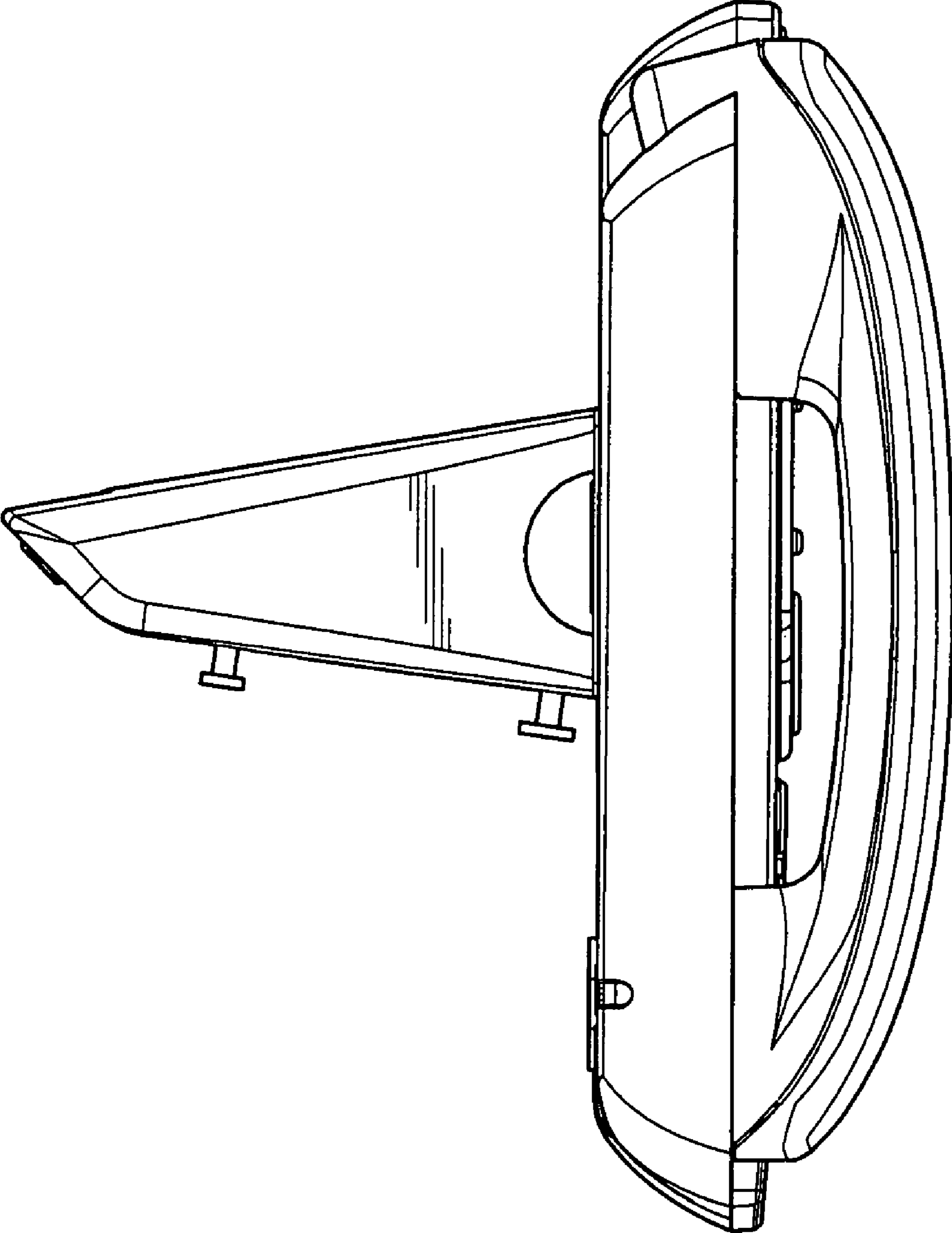


FIG.4

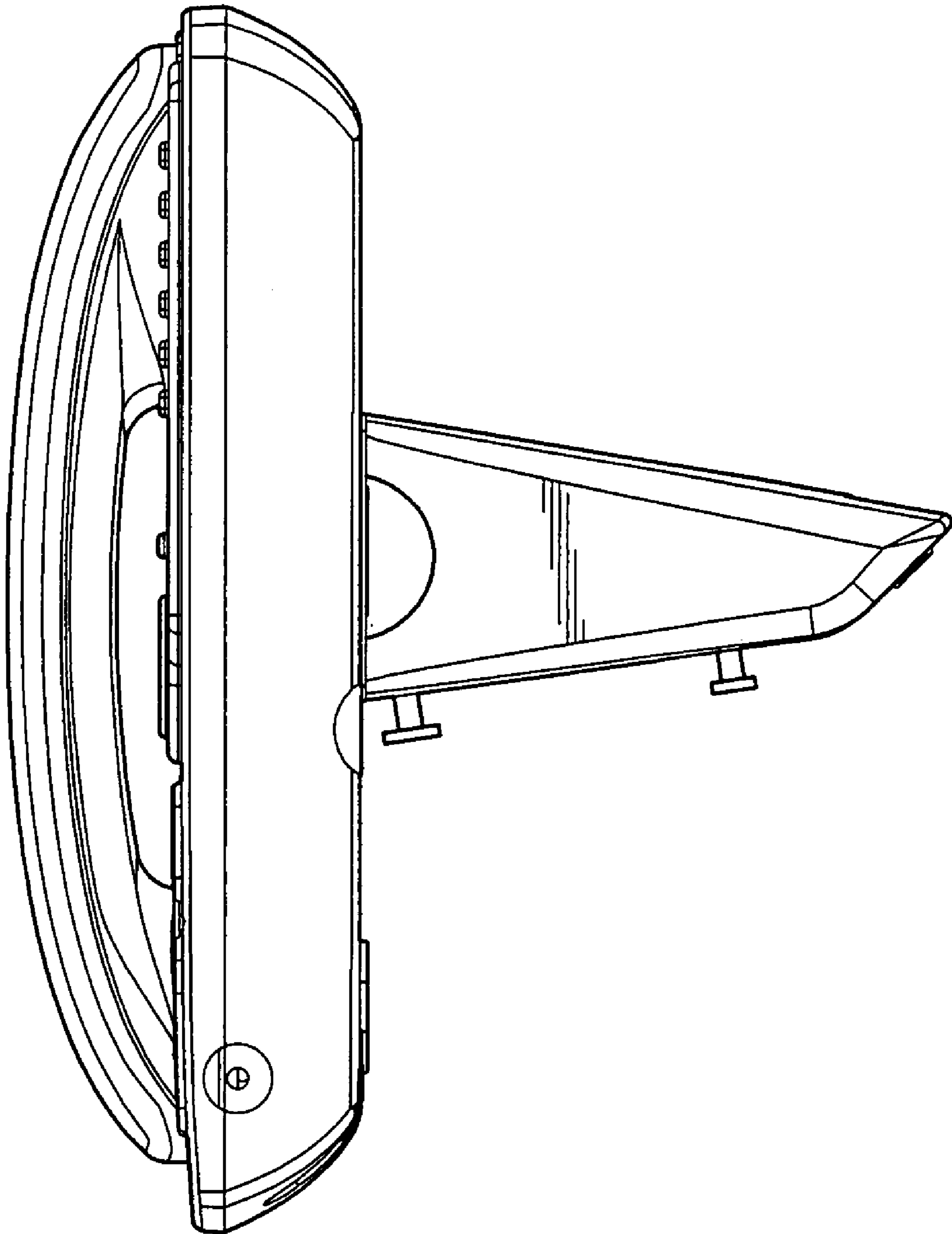


FIG.5

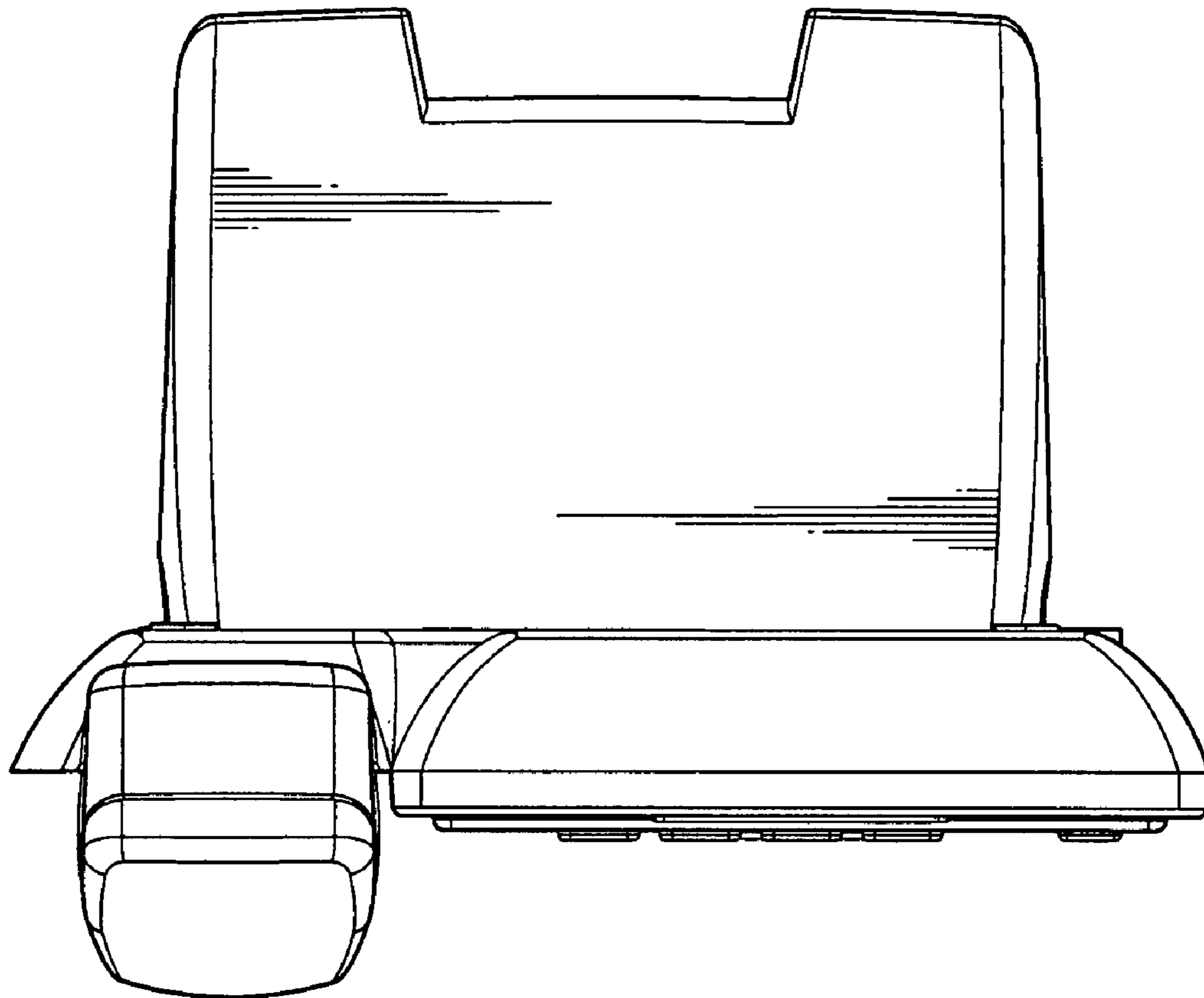


FIG.6

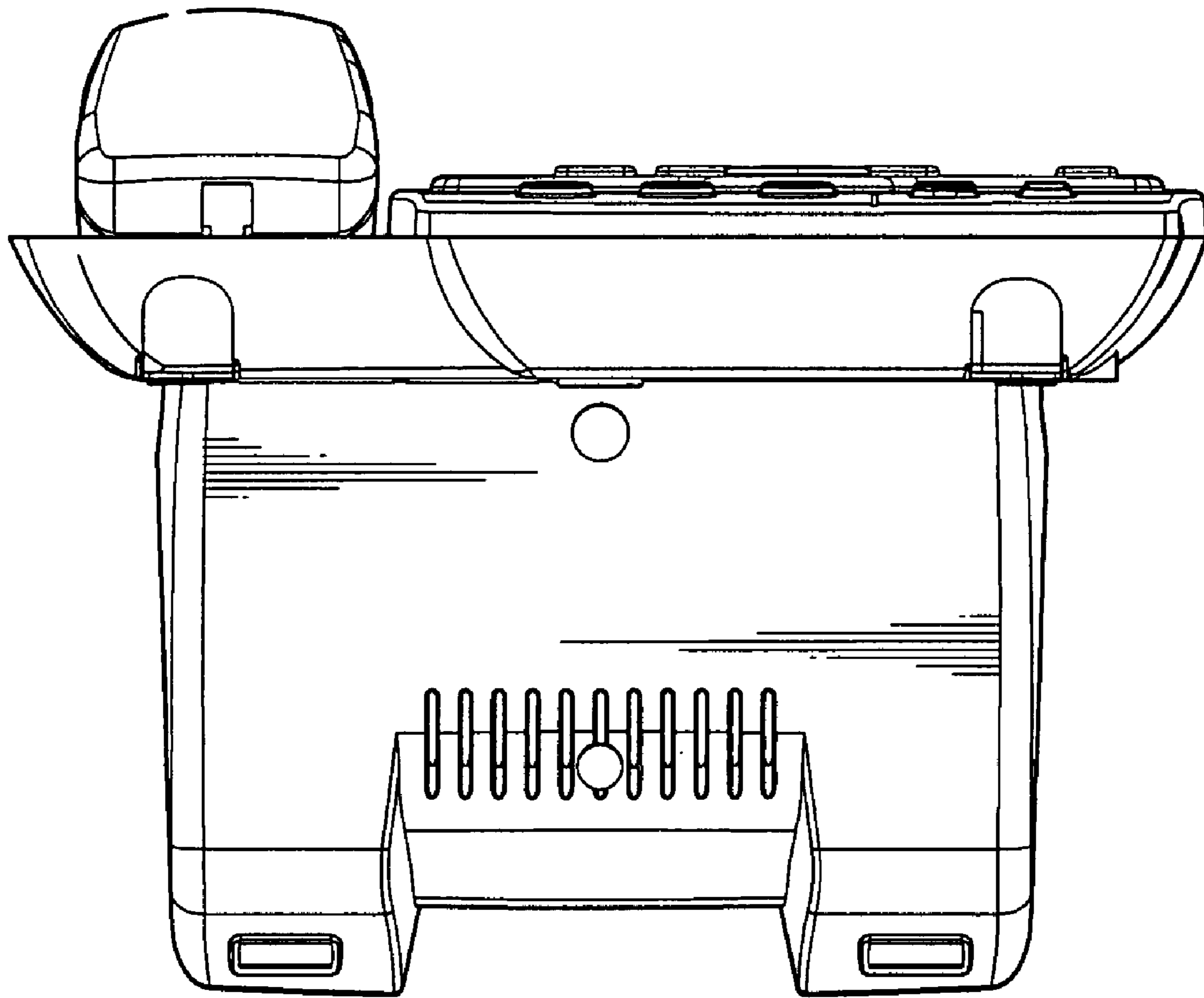


FIG.7