



US00D556180S

(12) **United States Design Patent**
Udagawa et al.

(10) **Patent No.:** **US D556,180 S**

(45) **Date of Patent:** **** Nov. 27, 2007**

(54) **BASE FOR A PHONE**

(75) Inventors: **Masamichi Udagawa**, New York, NY (US); **Sigrid Moeslinger**, New York, NY (US)

(73) Assignee: **Microsoft Corporation**, Redmond, WA (US)

(**) Term: **14 Years**

(21) Appl. No.: **29/247,547**

(22) Filed: **Jun. 26, 2006**

(51) **LOC (8) Cl.** **14-03**

(52) **U.S. Cl.** **D14/151; D14/149**

(58) **Field of Classification Search** D14/147-151, D14/251-253, 143, 144, 130, 329, 330, 434, D14/140, 142; D21/517; D13/107, 108; 379/419, 428.01-428.04, 440; 455/550.1-90.3
See application file for complete search history.

(56) **References Cited**

U.S. PATENT DOCUMENTS

- 4,736,406 A * 4/1988 Molnar 379/93.14
- D319,826 S * 9/1991 Hung D14/142
- D328,296 S * 7/1992 Yan D14/151
- 5,170,427 A * 12/1992 Guichard et al. D14/151

- D361,765 S * 8/1995 Bryant D14/151
- D382,557 S * 8/1997 Solomita et al. D14/149
- D383,750 S * 9/1997 Disanto et al. D14/151

* cited by examiner

Primary Examiner—Terry A Wallace

(74) *Attorney, Agent, or Firm*—Banner & Witcoff, Ltd.

(57) **CLAIM**

The ornamental design for a base for a phone, as shown and described.

DESCRIPTION

FIG. 1 is a perspective view of a base for a phone showing our new design;

FIG. 2 is a front view thereof;

FIG. 3 is a rear view thereof;

FIG. 4 is a left side view thereof;

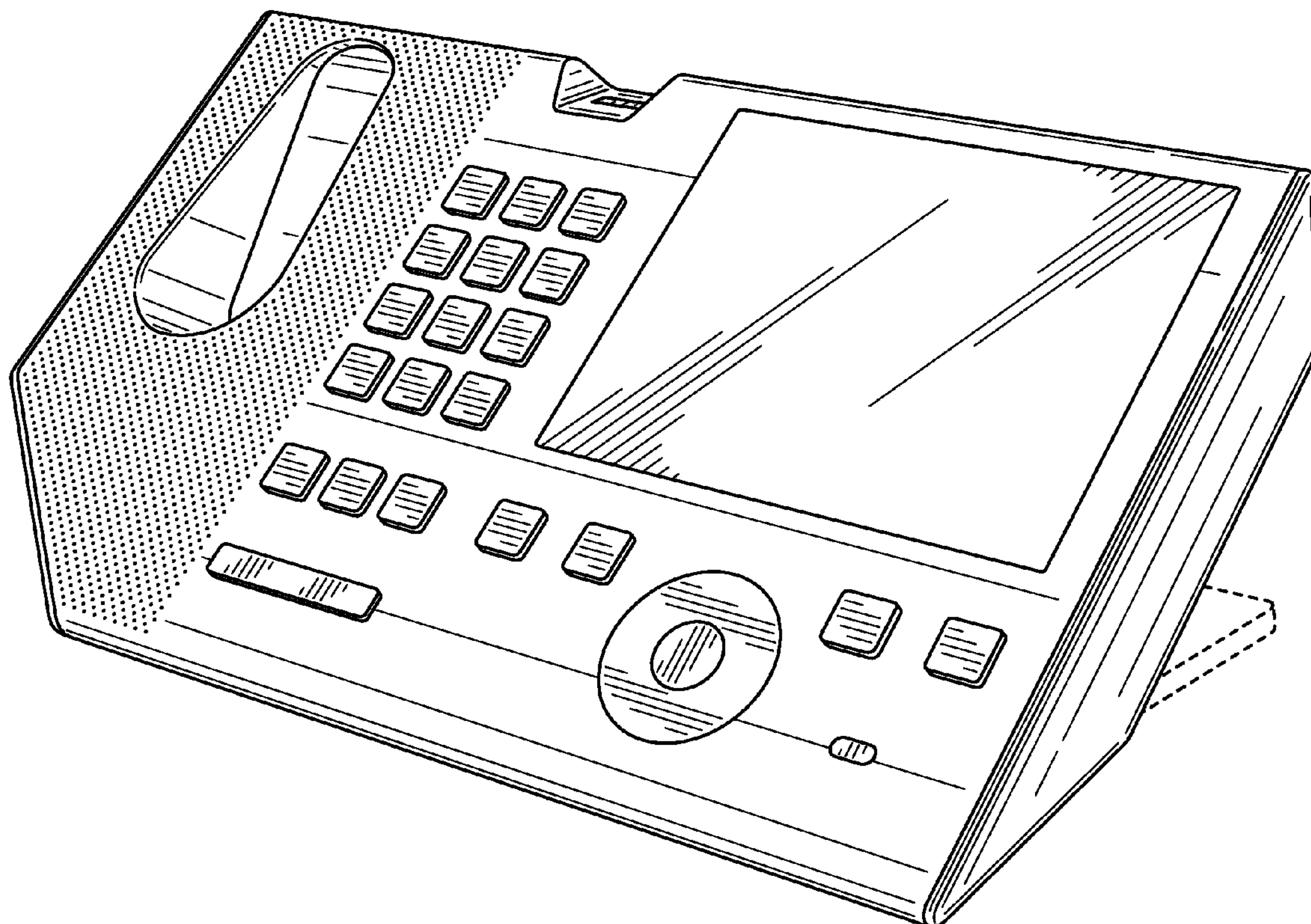
FIG. 5 is a right side thereof;

FIG. 6 is a top view thereof; and,

FIG. 7 is a bottom view thereof.

The broken line showing of various regions in FIGS. 1-7 is for illustrative purposes only, and forms no part of the claimed design.

1 Claim, 6 Drawing Sheets



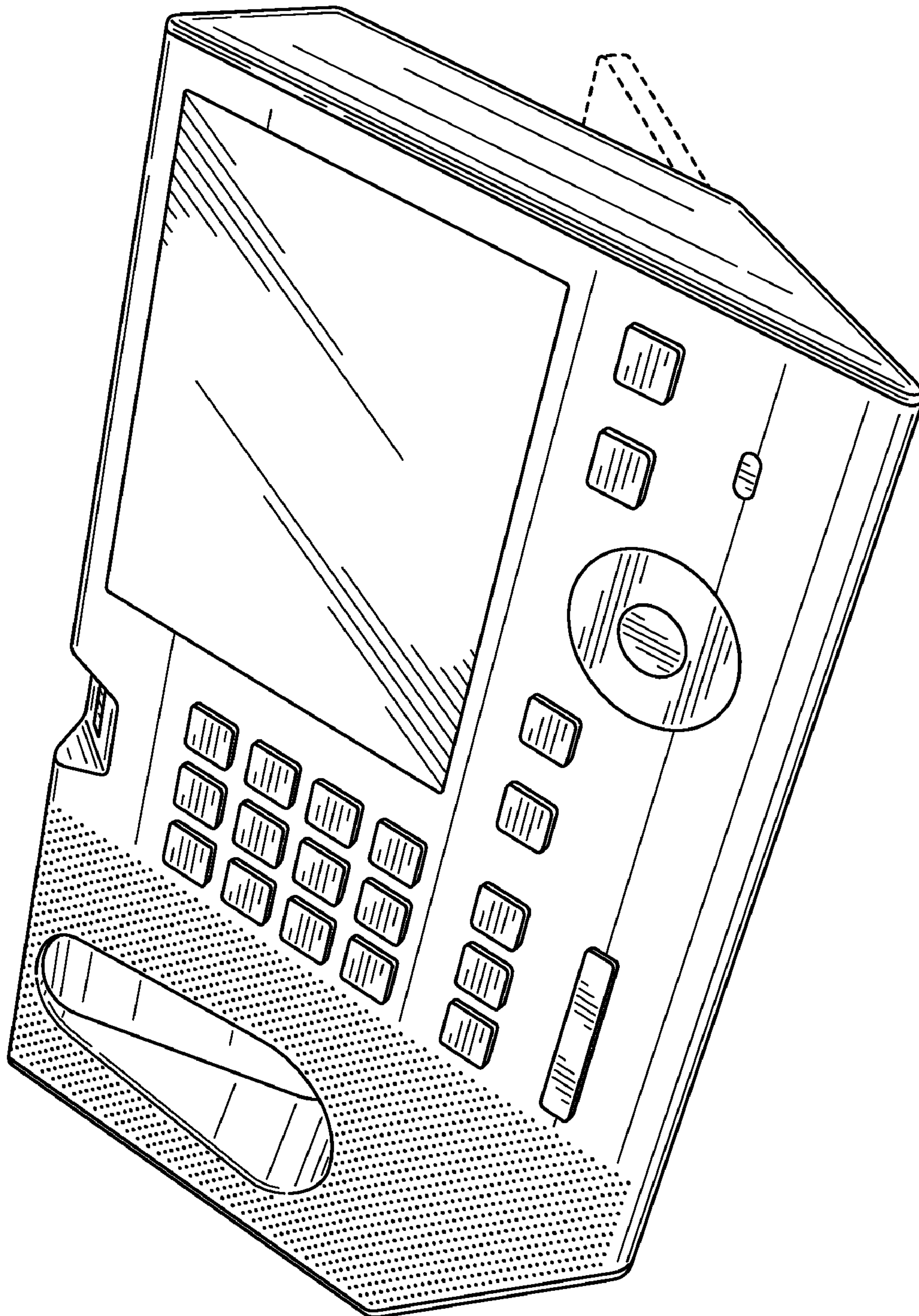


FIG. 1

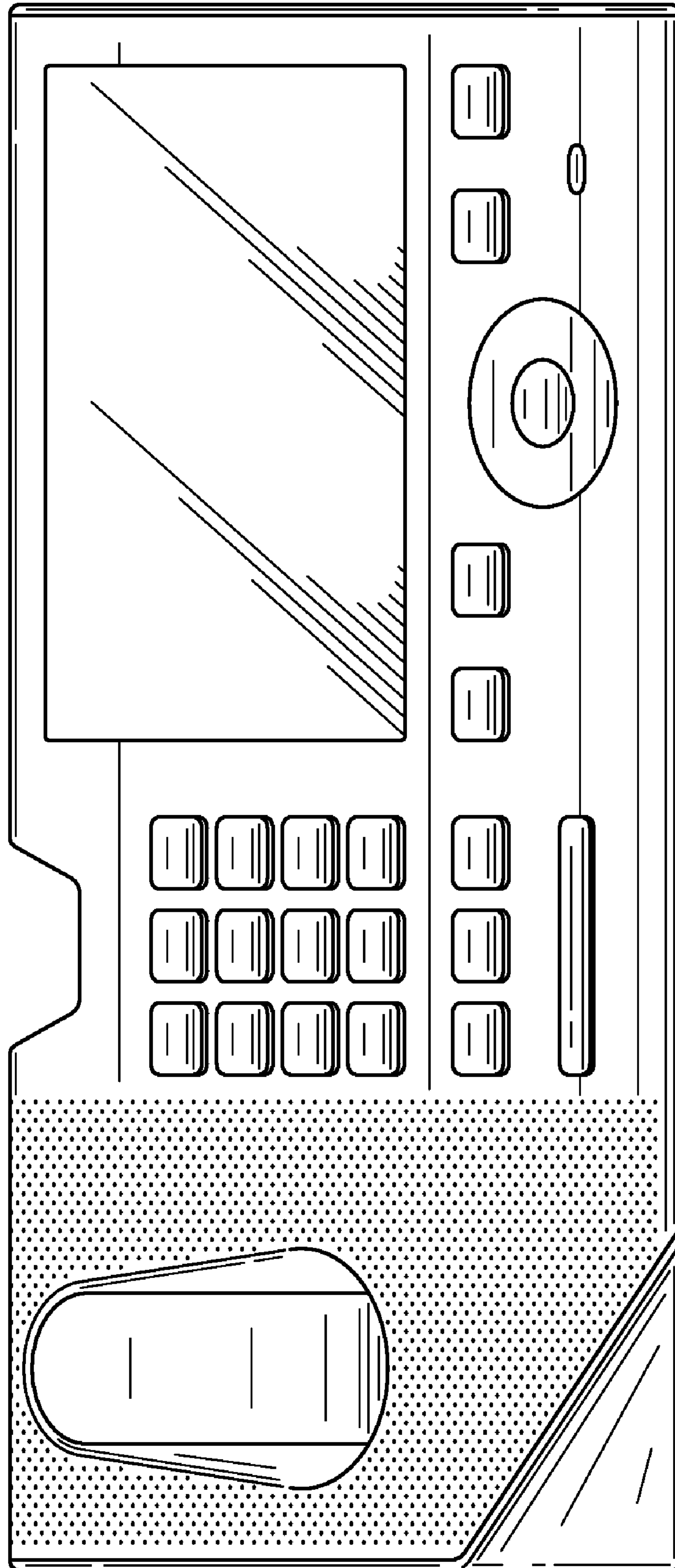


FIG. 2

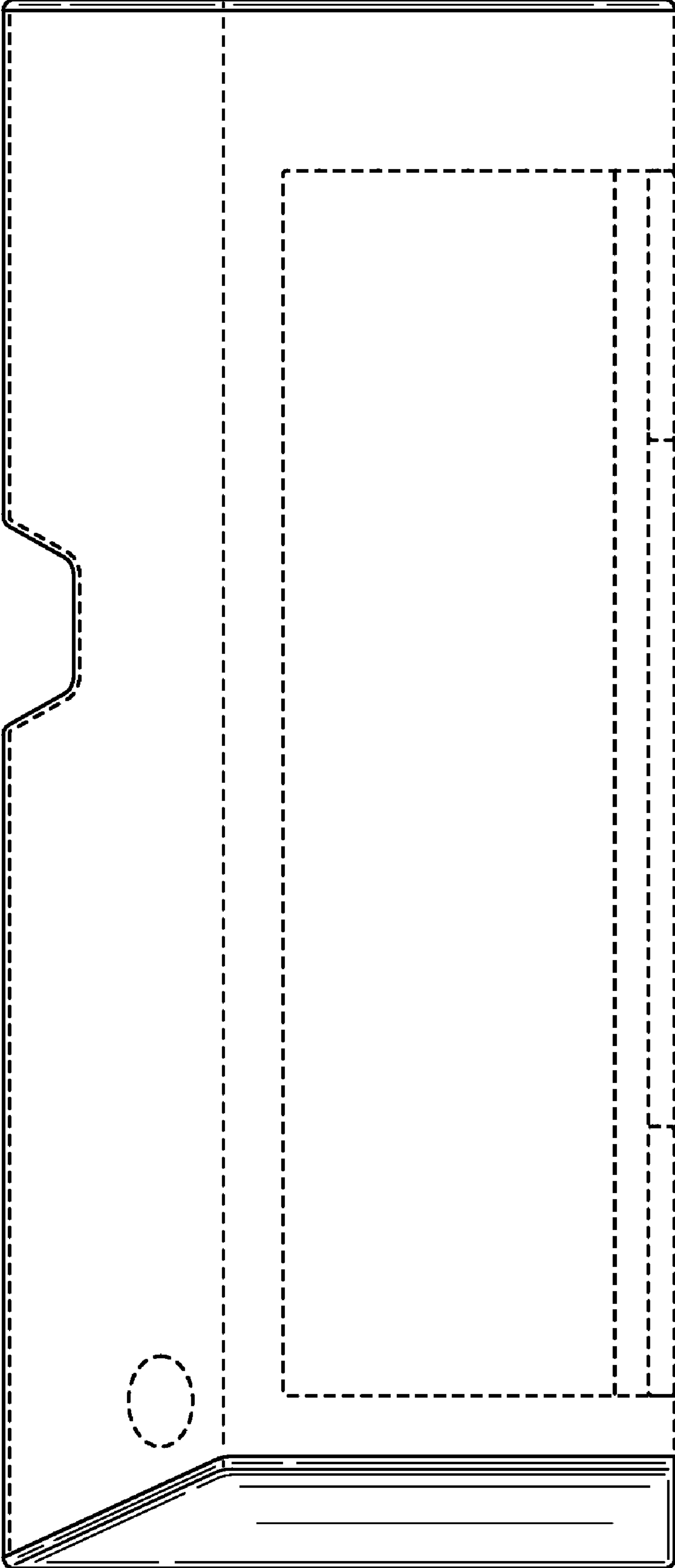


FIG. 3

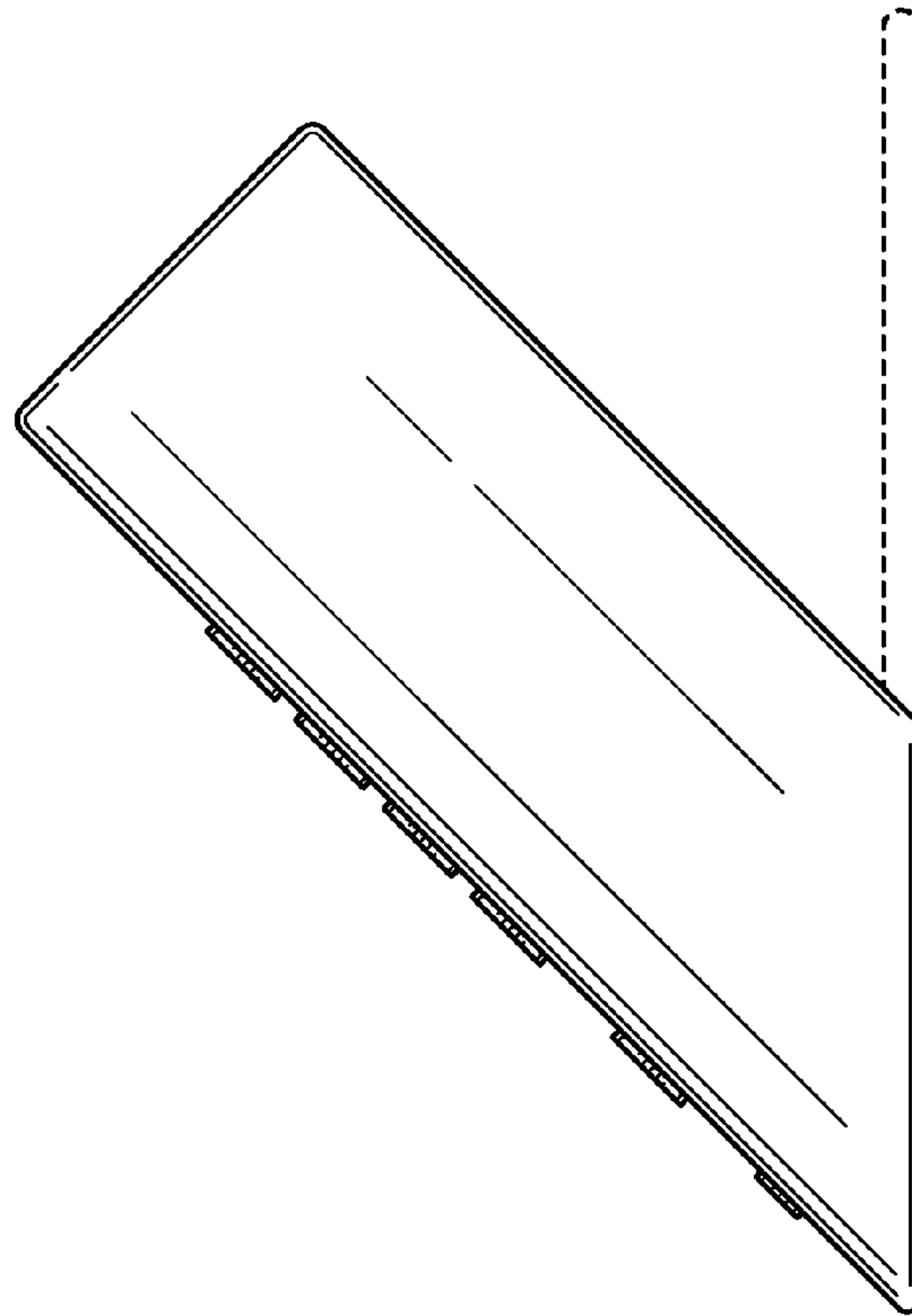


FIG. 5

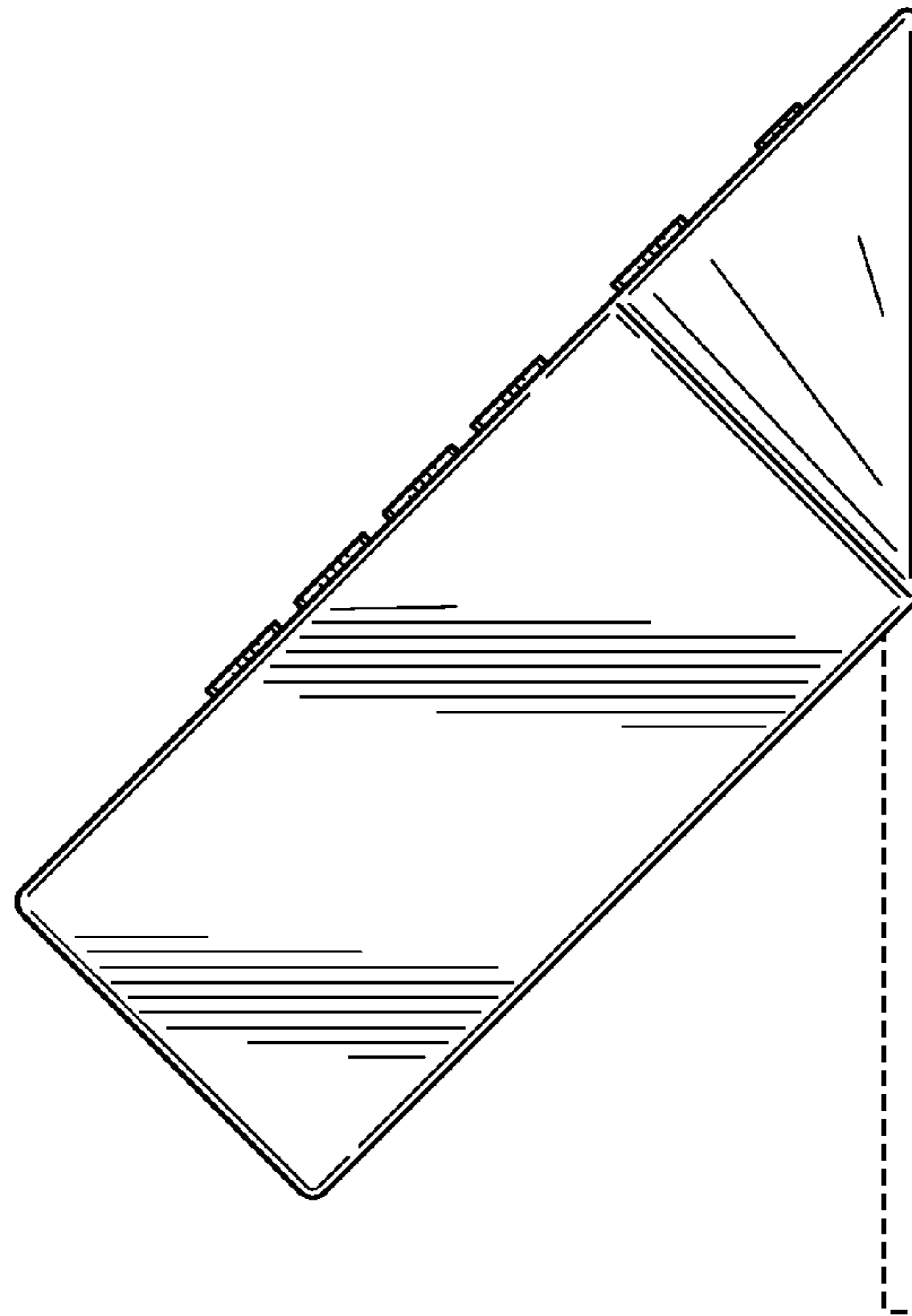


FIG. 4

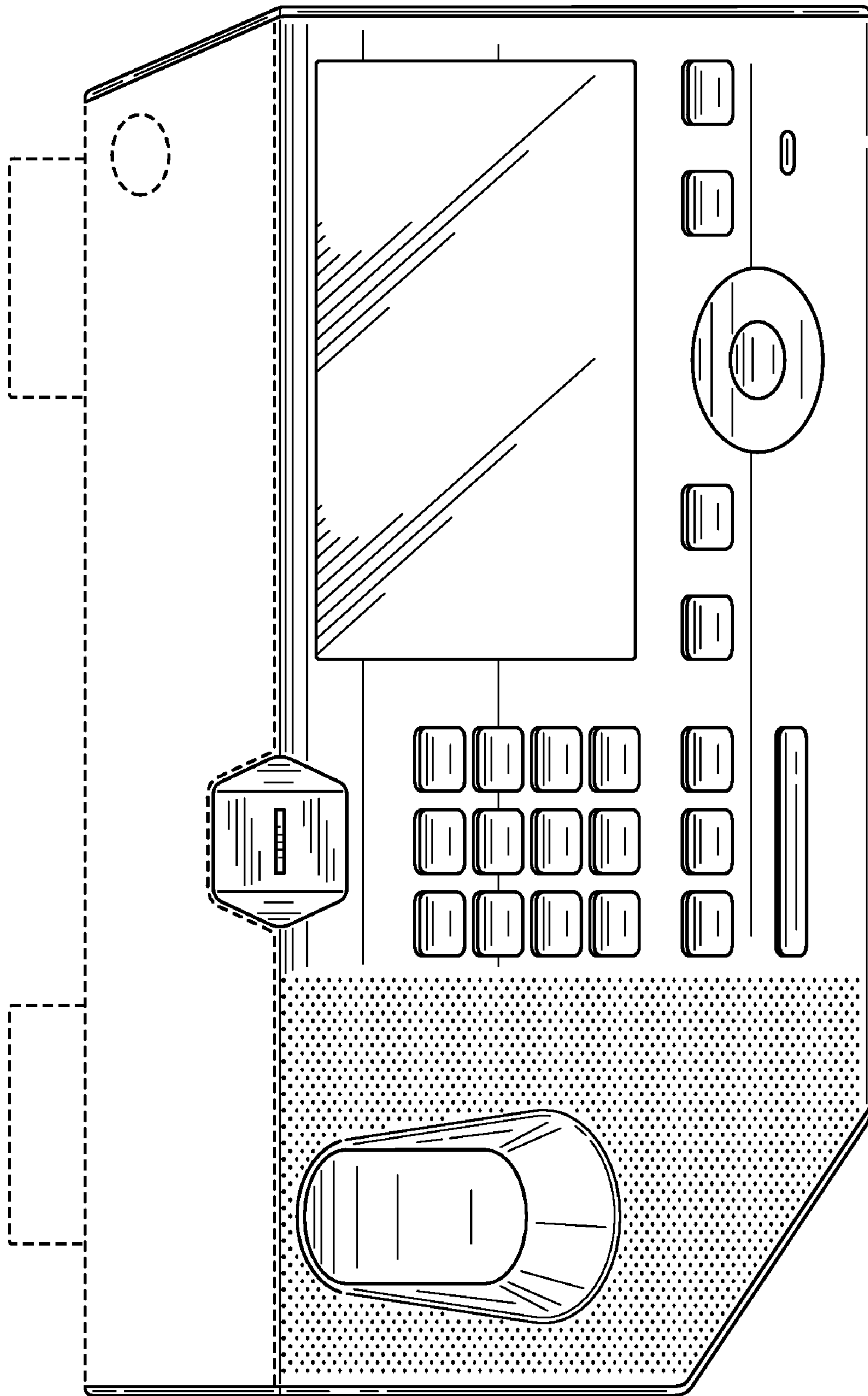


FIG. 6

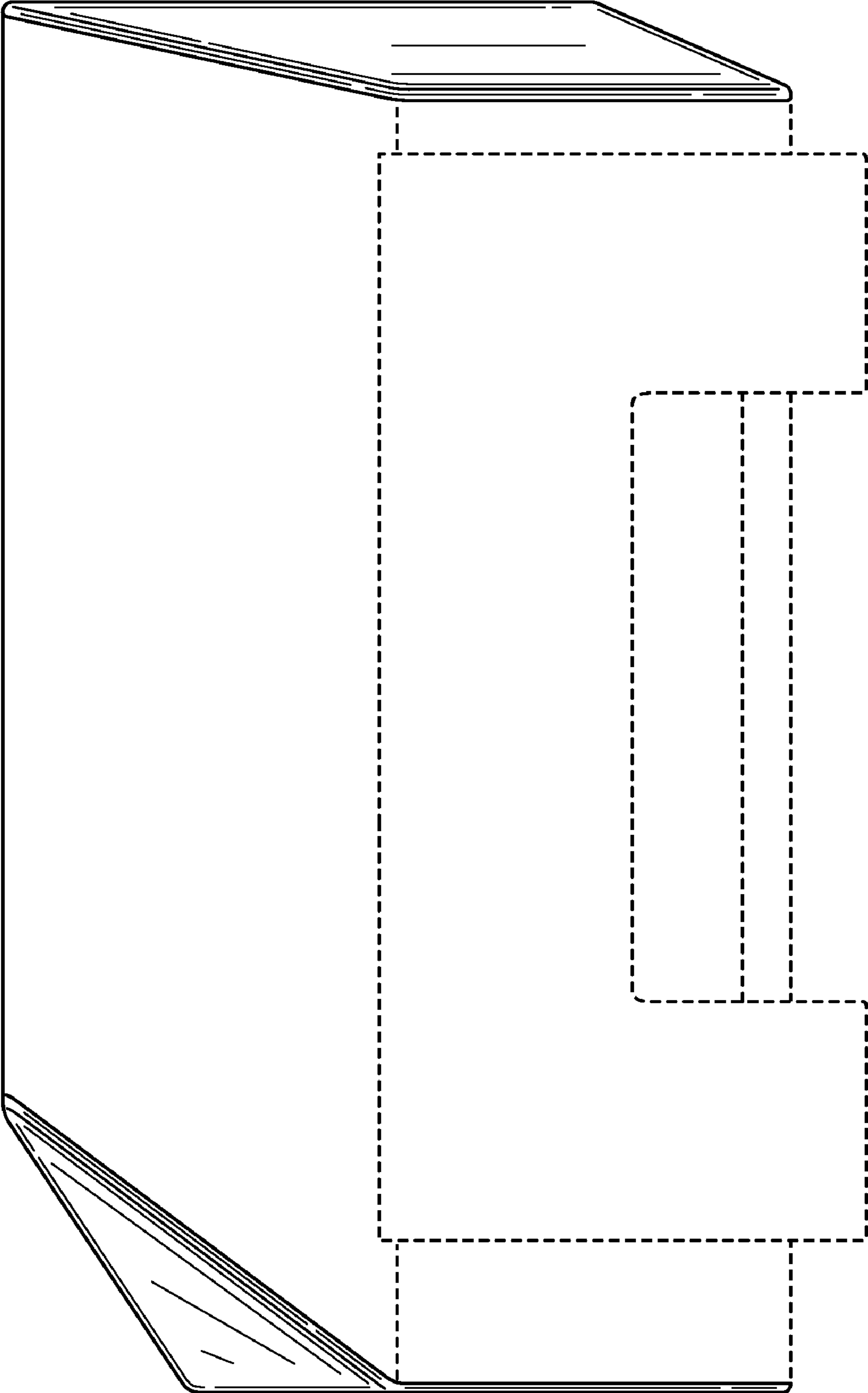


FIG. 7