



US00D556165S

(12) **United States Design Patent** (10) **Patent No.:** **US D556,165 S**  
**Kim et al.** (45) **Date of Patent:** **\*\* Nov. 27, 2007**

(54) **MOBILE PHONE**

(75) Inventors: **Young-Sae Kim**, Los Altos, CA (US);  
**Chi-Young Ahn**, Seoul (KR);  
**Young-Ju Yeo**, Seoul (KR);  
**Chang-Hwan Hwang**, Goyang-si (KR)

(73) Assignee: **Samsung Electronics Co., Ltd.**,  
Suwon-Si (KR)

(\*\*) **Term:** **14 Years**

(21) **Appl. No.:** **29/243,534**

(22) **Filed:** **Nov. 28, 2005**

(30) **Foreign Application Priority Data**

Jun. 13, 2005 (KR) ..... 30-2005-0019717

(51) **LOC (8) Cl.** ..... **14-03**

(52) **U.S. Cl.** ..... **D14/138**

(58) **Field of Classification Search** ..... D14/137-138,  
D14/147-148, 156, 218, 247-248, 341-347,  
D14/496; D16/208; D21/329, 331, 333,  
D21/517; 348/14.01-14.02; 361/814; 379/  
433.01-433.13; 455/556.1-556.2, 575.1,  
455/575.3, 575.4, 566, 90.3

See application file for complete search history.

(56) **References Cited**

**U.S. PATENT DOCUMENTS**

- D460,448 S \* 7/2002 Matsumoto ..... D14/346
- D479,234 S \* 9/2003 Tanaka et al. .... D14/346
- D479,527 S \* 9/2003 Eigenstetter et al. .... D14/346
- D495,695 S \* 9/2004 Yugaya ..... D14/346
- D498,736 S \* 11/2004 Lee ..... D14/138
- D519,998 S \* 5/2006 Park ..... D14/346
- D525,609 S \* 7/2006 Kim et al. .... D14/138
- D527,366 S \* 8/2006 Lee ..... D14/138
- D528,526 S \* 9/2006 Shin ..... D14/138
- D534,890 S \* 1/2007 Kim ..... D14/138

- D543,175 S \* 5/2007 Park et al. .... D14/138
- D543,966 S \* 6/2007 Peng et al. .... D14/138
- 2006/0094464 A1\* 5/2006 Kyou et al. .... 455/556.1

**FOREIGN PATENT DOCUMENTS**

WO DM/060869 \* 7/2002

**OTHER PUBLICATIONS**

“Samsung i700”, 2 pp including photos, [online] <URL:http://www.gsmarena.com/samsung\_i700-pictures-441.php>, announced Mar. 2004, retrieved Jun. 5, 2007.\*

“Motorola A1010”, 2 pp including photos, [online], <URL:http://www.gsmarena.com/motorola\_a1010-1054.php>, announced 1Q 2005, retrieved Jun. 5, 2007.\*

“Samsung D810”, 2 pp including photos, [online], <http://www.gsmarena.com/samsung\_d810-1416.php>, announced 1Q 2006, retrieved Jun. 5, 2007.\*

\* cited by examiner

*Primary Examiner*—Ian Simmons

*Assistant Examiner*—Carla Jobe Wright

(74) *Attorney, Agent, or Firm*—Staas & Halsey LLP

(57) **CLAIM**

The ornamental design for a mobile phone, as shown and described.

**DESCRIPTION**

FIG. 1 is a perspective view of the mobile phone showing our design;

FIG. 2 is a front view thereof;

FIG. 3 is a rear view thereof;

FIG. 4 is a left side view thereof;

FIG. 5 is a right side view thereof;

FIG. 6 is a bottom plan view thereof; and,

FIG. 7 is a top plan view thereof.

**1 Claim, 3 Drawing Sheets**

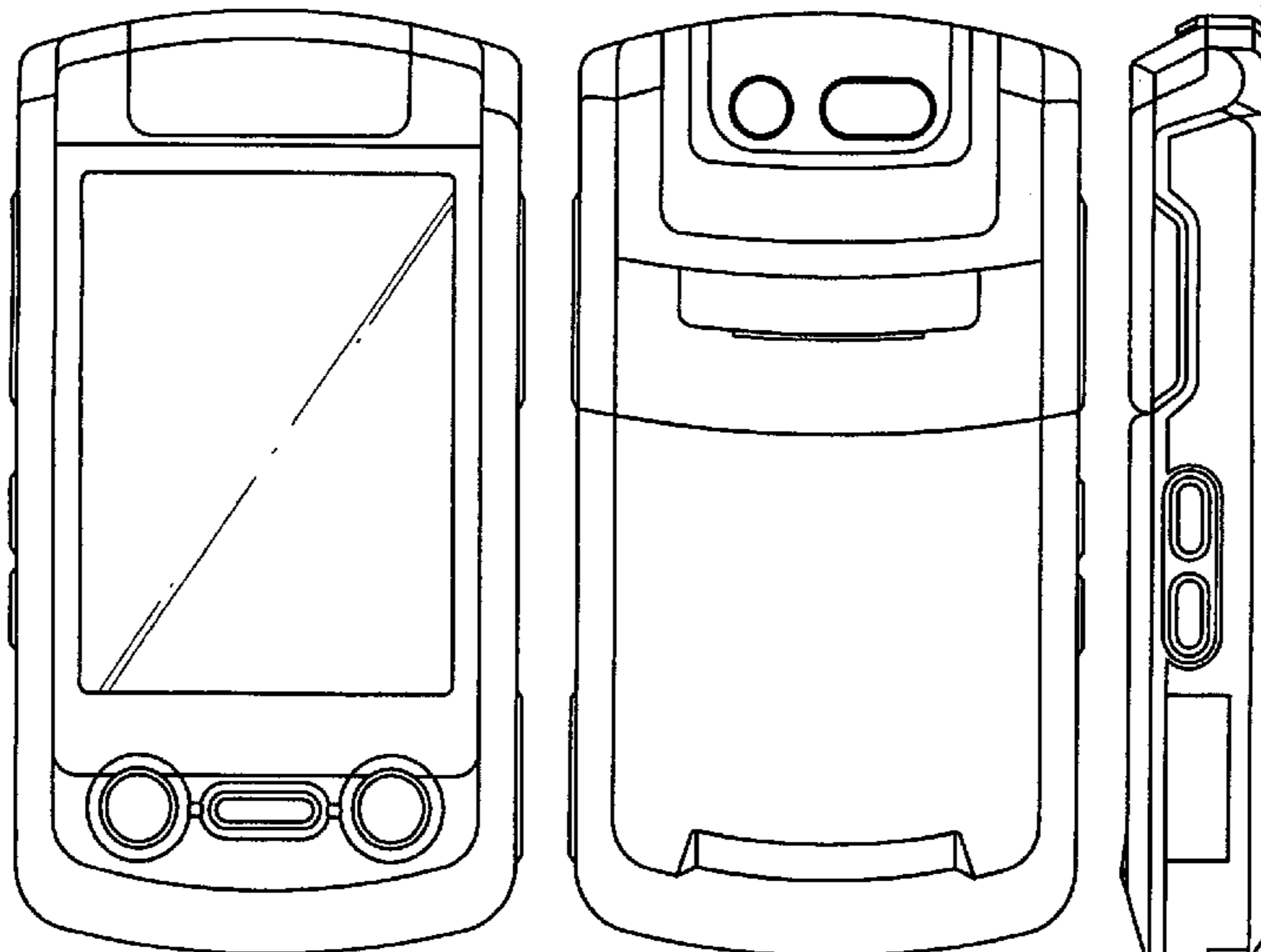


FIG. 1

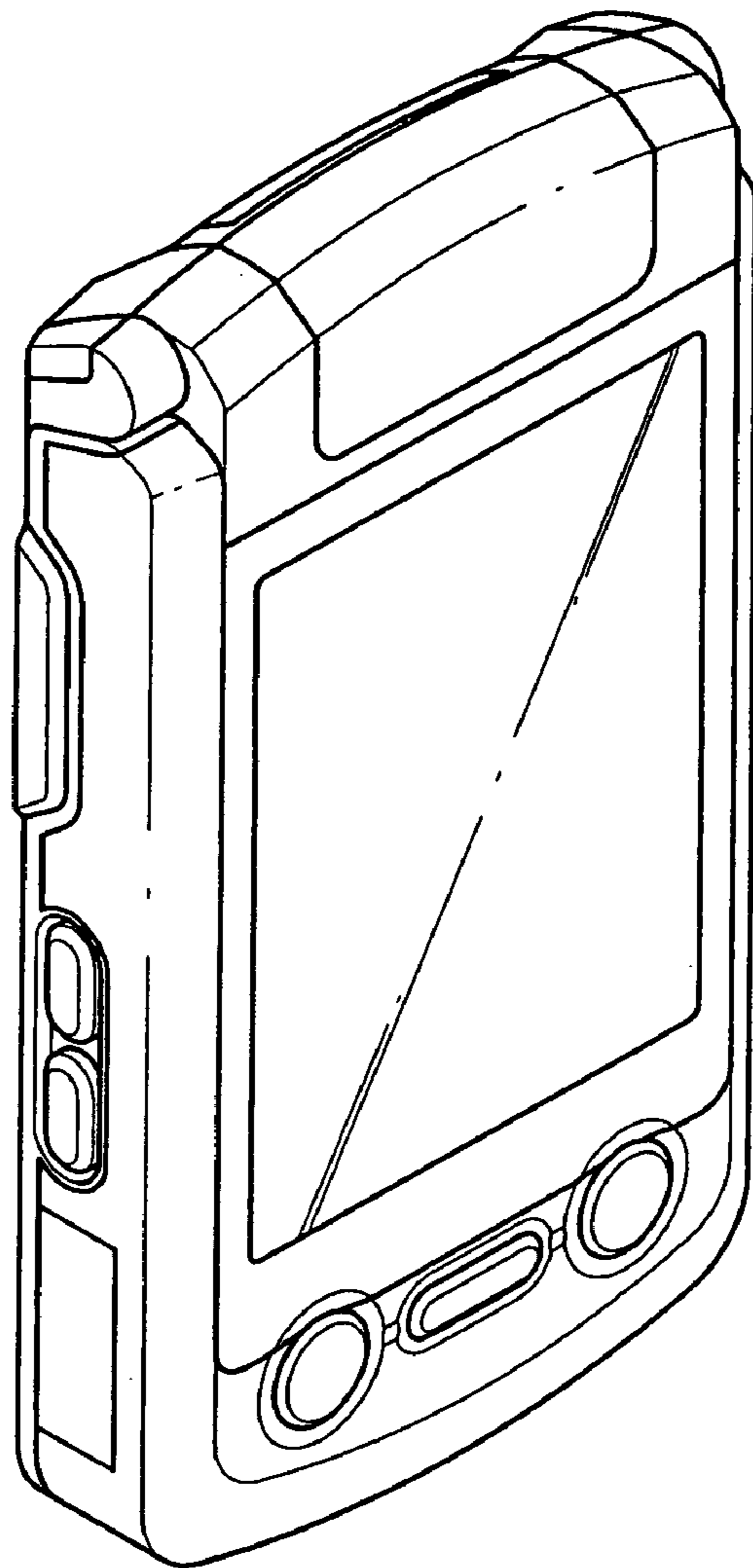


FIG.2

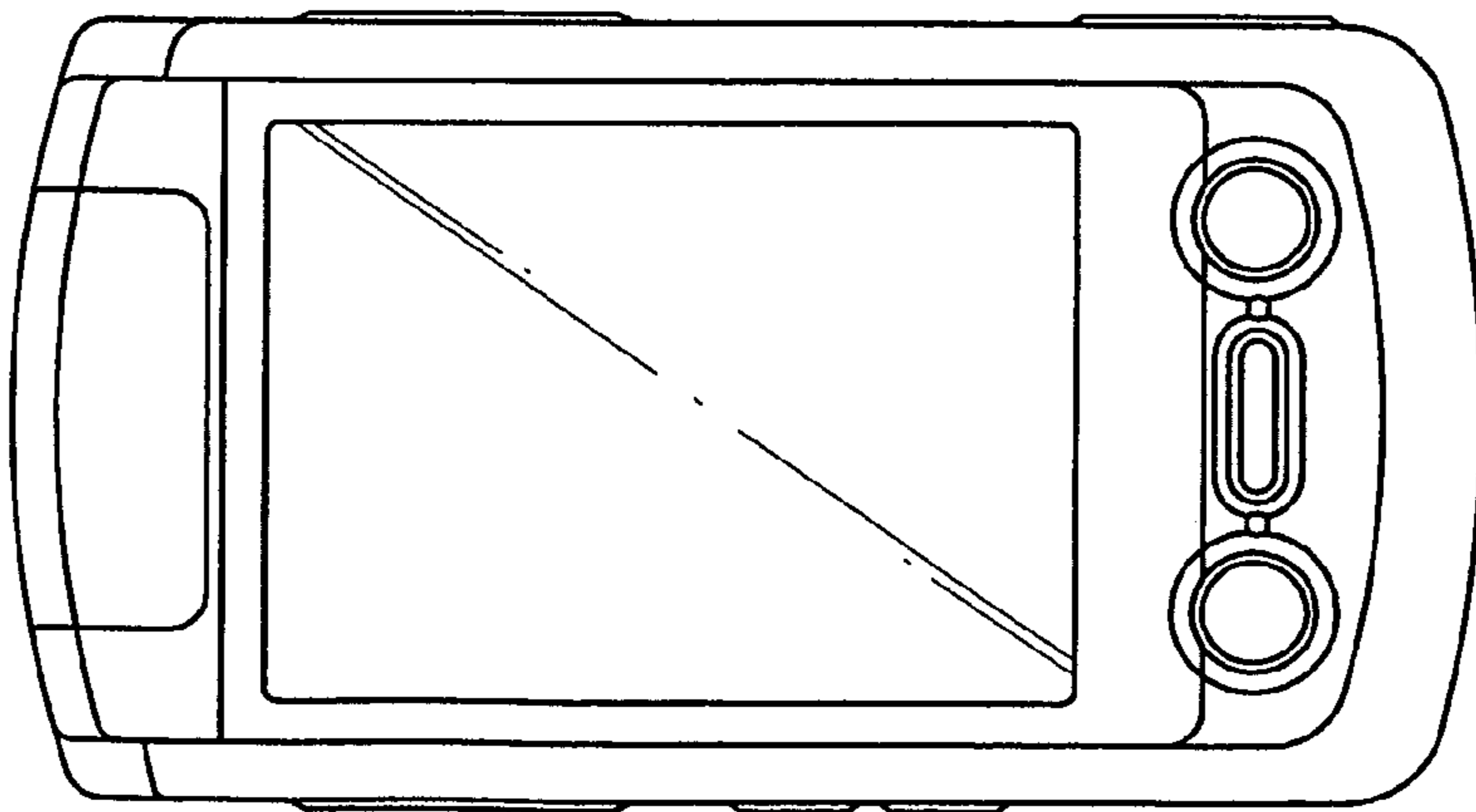


FIG.3

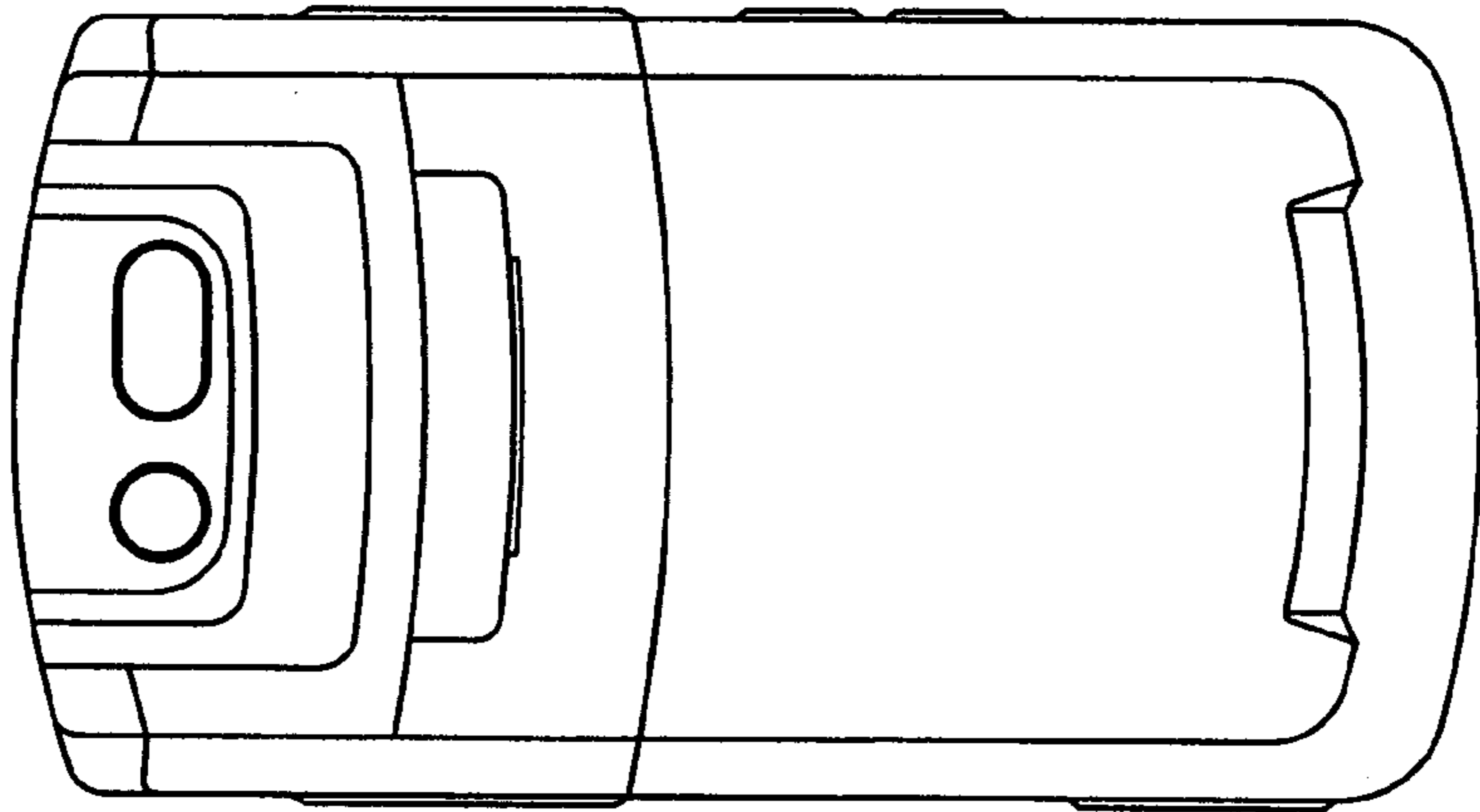


FIG.4

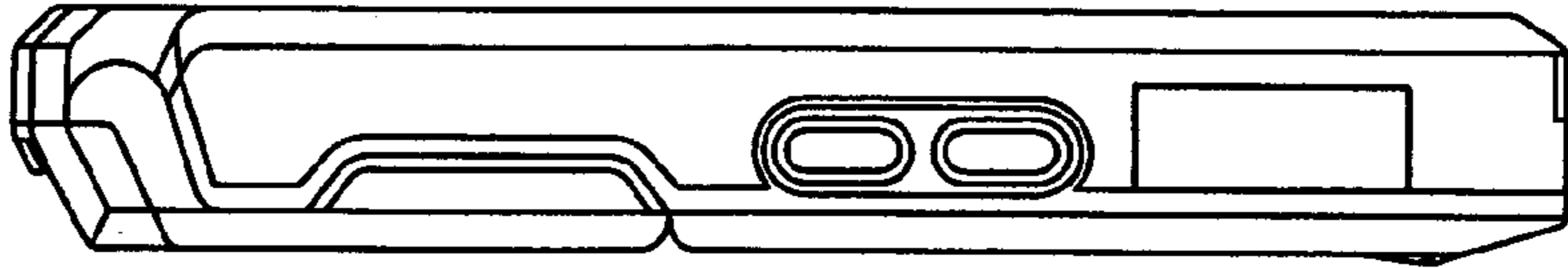


FIG.5

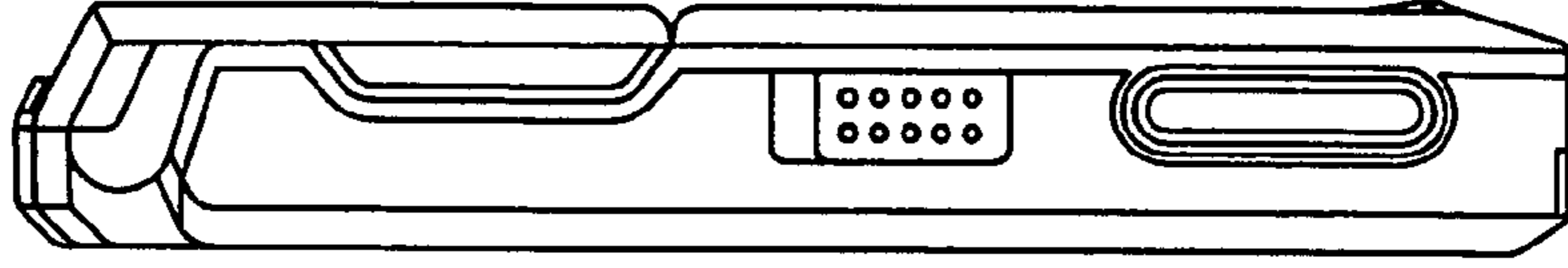


FIG. 6

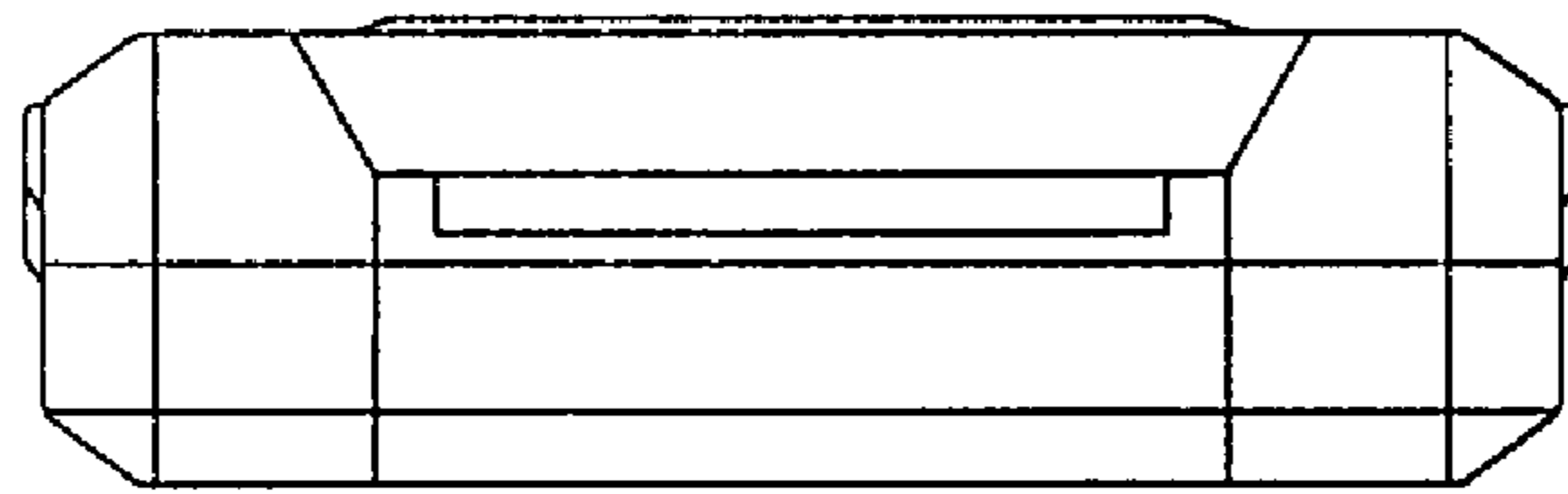


FIG. 7

