



US00D556164S

(12) **United States Design Patent**
Dry et al.

(10) **Patent No.:** **US D556,164 S**
(45) **Date of Patent:** **** Nov. 27, 2007**

(54) **HANDSET**

(75) Inventors: **Jonathan Dry**, Newbury Park, CA (US); **Thomas Arbisi**, Newbury Park, CA (US); **Andrew Gartrell**, Tarzana, CA (US); **Kelley Ann Lee**, Pasadena, CA (US)

(73) Assignee: **Nokia Corporation**, Espoo (FI)

(**) Term: **14 Years**

(21) Appl. No.: **29/231,616**

(22) Filed: **Jun. 8, 2005**

(51) **LOC (8) Cl.** **14-03**

(52) **U.S. Cl.** **D14/138**

(58) **Field of Classification Search** D14/138,
D14/341-347, 147-148, 496; 379/433.01-433.13;
455/575.3, 575.4, 566, 575.1, 556.1, 556.2,
455/90.3

See application file for complete search history.

(56) **References Cited**

U.S. PATENT DOCUMENTS

D474,168 S *	5/2003	Wang et al.	D14/138
D477,296 S *	7/2003	Minamide	D14/138
D481,697 S *	11/2003	Rausch et al.	D14/138
D488,788 S *	4/2004	Chan	D14/138
D491,905 S *	6/2004	Jang	D14/138
D496,016 S *	9/2004	Hoo	D14/138
D496,021 S *	9/2004	Jang	D14/138
D496,347 S *	9/2004	Choi et al.	D14/191
D500,016 S *	12/2004	Kim	D14/138
D506,985 S *	7/2005	Koo et al.	D14/138
D507,551 S *	7/2005	Kim et al.	D14/138
D507,788 S *	7/2005	Li et al.	D14/138
D508,238 S *	8/2005	Kim et al.	D14/138

(Continued)

FOREIGN PATENT DOCUMENTS

WO DM/067481 * 12/2005

OTHER PUBLICATIONS

O2 X2i telephone, announced 4th quarter 2005, [online], [retrieved on Mar. 2, 2007]. Retrieved from Internet , <URL: http://www.gsmarena.com>.*

(Continued)

Primary Examiner—Jeffrey Asch

(74) *Attorney, Agent, or Firm*—Banner & Witcoff, Ltd.

(57) **CLAIM**

The ornamental design for a handset, as shown and described.

DESCRIPTION

FIG. 1 is a bottom plan view of a handset showing our new design;

FIG. 2 is a right side view thereof;

FIG. 3 is a front view thereof;

FIG. 4 is a left side view thereof;

FIG. 5 is a top plan view thereof;

FIG. 6 is a rear view thereof;

FIG. 7 is a perspective front view thereof;

FIG. 8 is a perspective rear view thereof;

FIG. 9 is a rear view of the handset of FIGS. 1-8 in an open position;

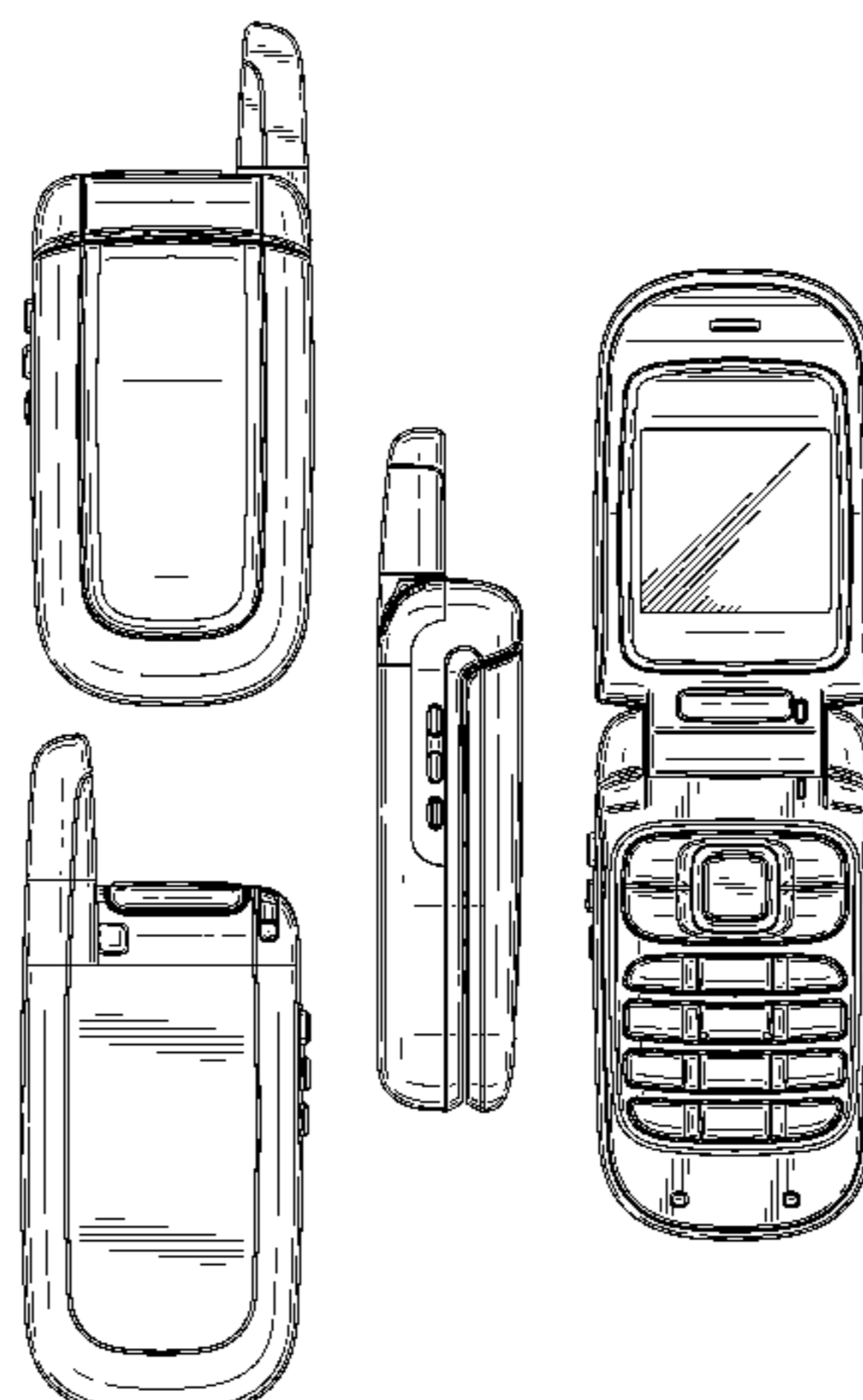
FIG. 10 is a right side view of the handset of FIGS. 1-8 in an open position;

FIG. 11 is a left side view of the handset of FIGS. 1-8 in an open position;

FIG. 12 is a front view of the handset of FIGS. 1-8 in an open position; and,

FIG. 13 is a front perspective view of the handset of FIGS. 1-8 in an open position.

1 Claim, 7 Drawing Sheets



U.S. PATENT DOCUMENTS

D510,924	S	*	10/2005	Lee et al.	D14/138
D512,398	S	*	12/2005	Chen et al.	D14/138
D513,244	S	*	12/2005	Kim et al.	D14/138
D513,505	S	*	1/2006	Lee	D14/138
D518,465	S	*	4/2006	Van Den Nieuwenhuizen et al.	D14/138
D518,468	S	*	4/2006	Yoon	D14/138
D519,479	S	*	4/2006	Koo et al.	D14/138
D520,977	S	*	5/2006	Lee et al.	D14/138
D521,478	S	*	5/2006	Lee et al.	D14/138
D537,428	S	*	2/2007	Fahlgren	D14/138
D537,429	S	*	2/2007	Fahlgren	D14/138
2006/0063572	A1	*	3/2006	Garcia et al.	455/575.3
2006/0154701	A1	*	7/2006	Ma et al.	455/575.3

OTHER PUBLICATIONS

BenQ M580 telephone, announced 1st quarter 2006, [online], [retrieved on Mar. 2, 2007]. Retrieved from Internet , <URL: <http://www.gsmarena.com>>.*

Philips 650 telephone, announced 2nd quarter 2004, [online], [retrieved on Mar. 2, 2007]. Retrieved from Internet , <URL: <http://www.gsmarena.com>>.*

Philips Xenium 9@9i telephone, announced 1st quarter 2005, [online], [retrieved on Mar. 4, 2007]. Retrieved from Internet , <URL: <http://www.gsmarena.com>>.*

Motorola V620 telephone, announced 3rd quarter 2004, [online], [retrieved on Mar. 2, 2007]. Retrieved from Internet , <URL: <http://www.gsmarena.com>>.*

Motorola V235 telephone, announced 1st quarter 2005, [online], [retrieved on Mar. 4, 2007]. Retrieved from Internet , <URL: <http://www.gsmarena.com>>.*

Sagem My C2-3 telephone, announced 4th quarter 2005, [online], [retrieved on Mar. 2, 2007]. Retrieved from Internet , <URL: <http://www.gsmarena.com>>.*

Wireless International Magazine, cover page and single internal page (exact page unknown), Mar. 2003.

Wireless International Magazine, cover page and single internal page (exact page unknown), Feb. 2004.

* cited by examiner

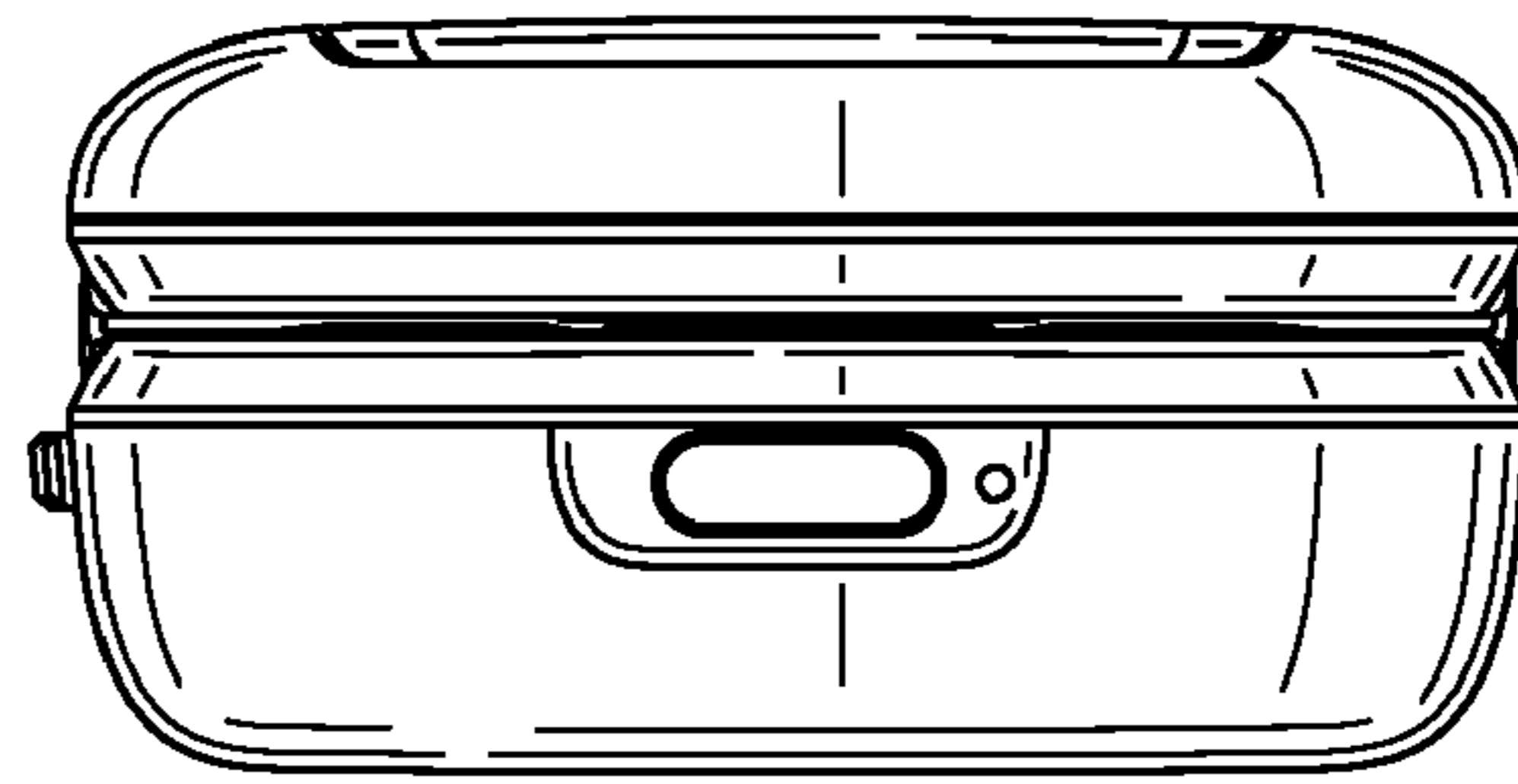


FIG. 1

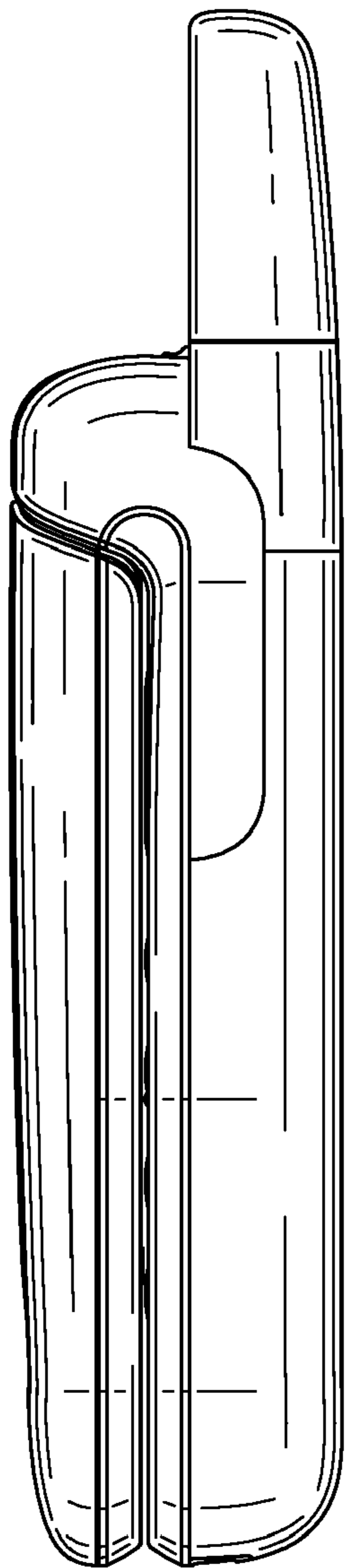


FIG. 2

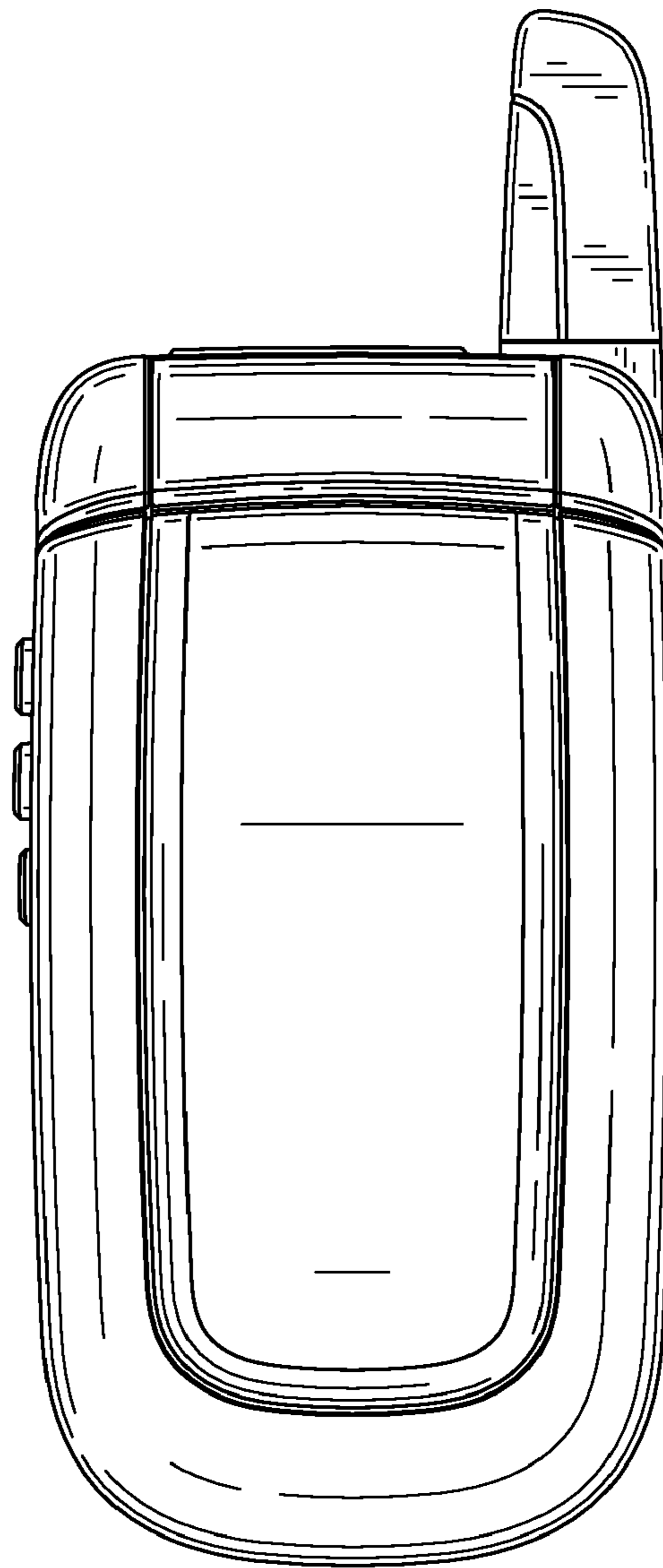


FIG. 3



FIG. 4

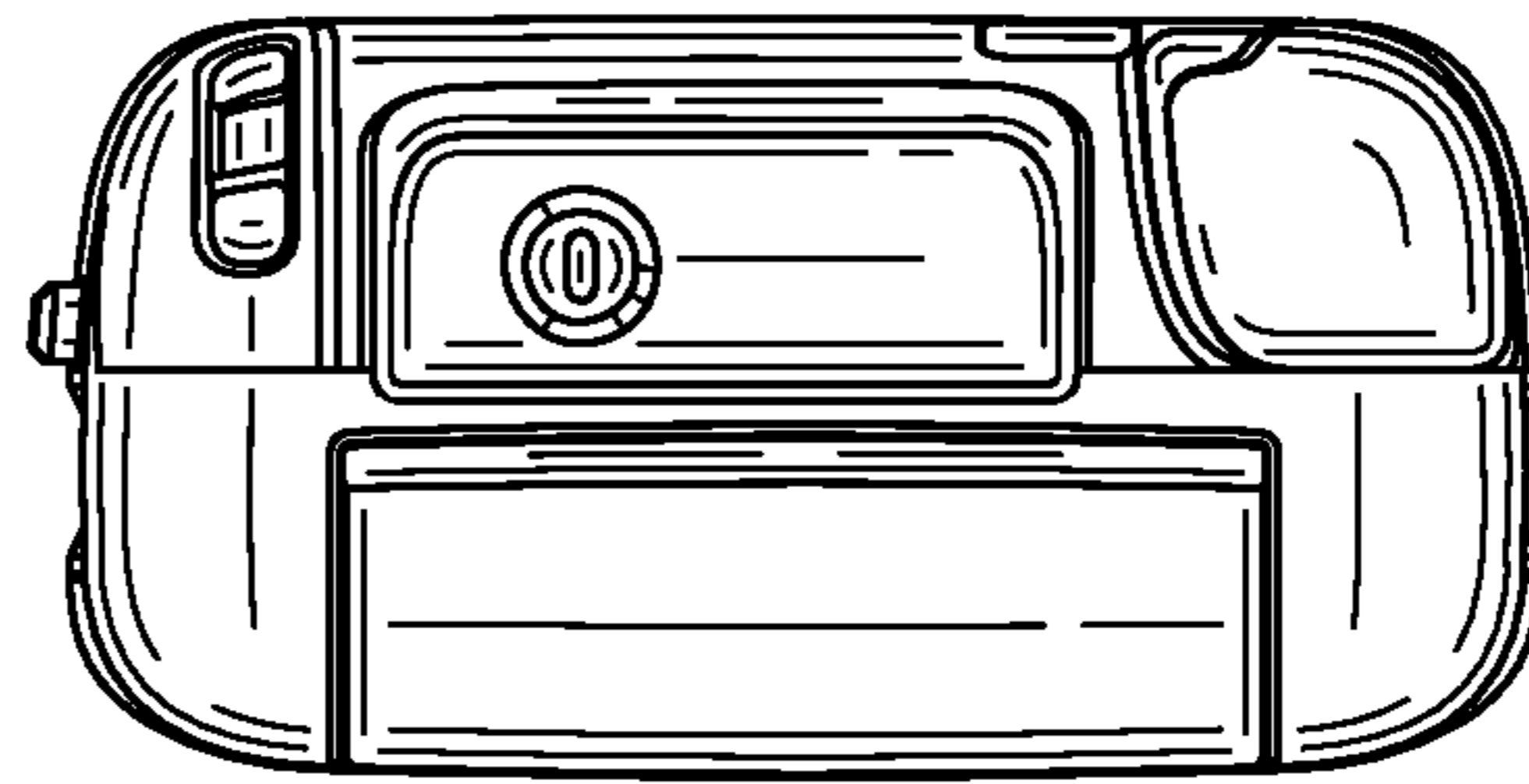


FIG. 5

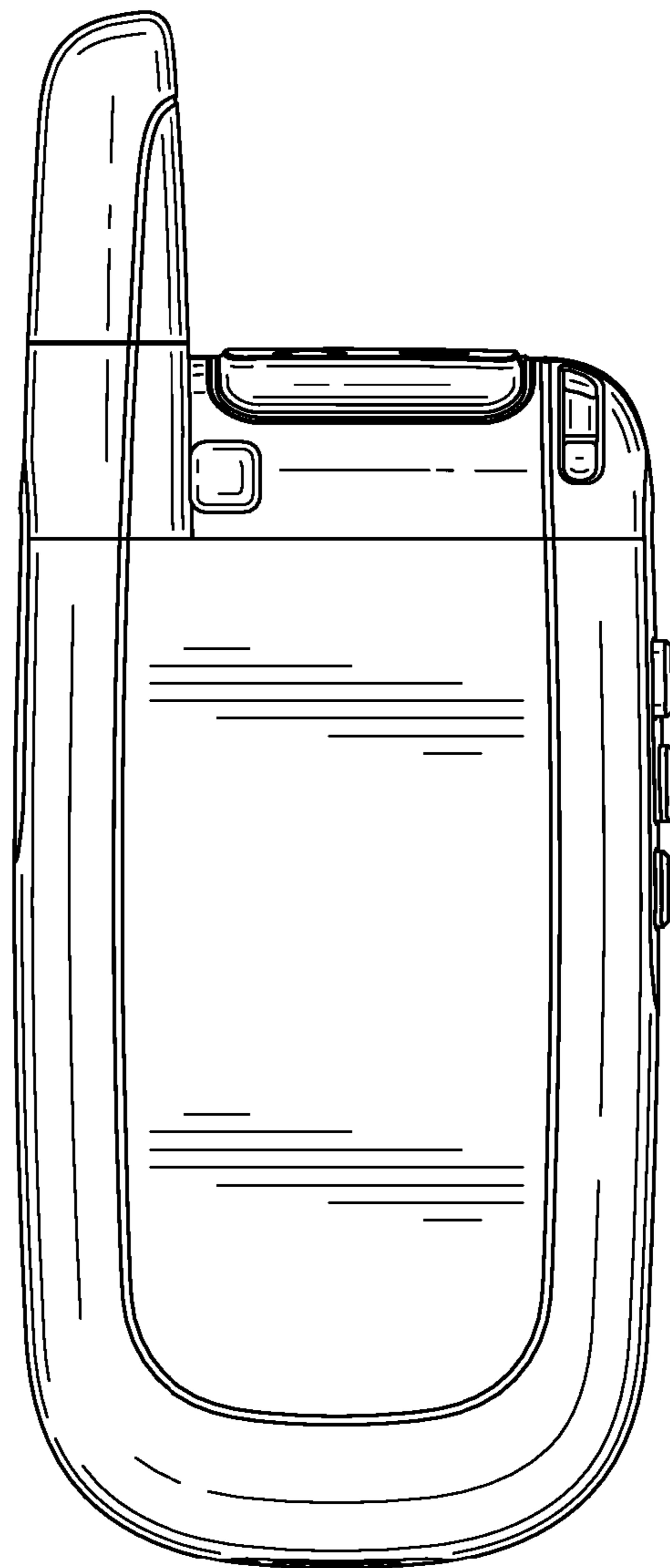


FIG. 6

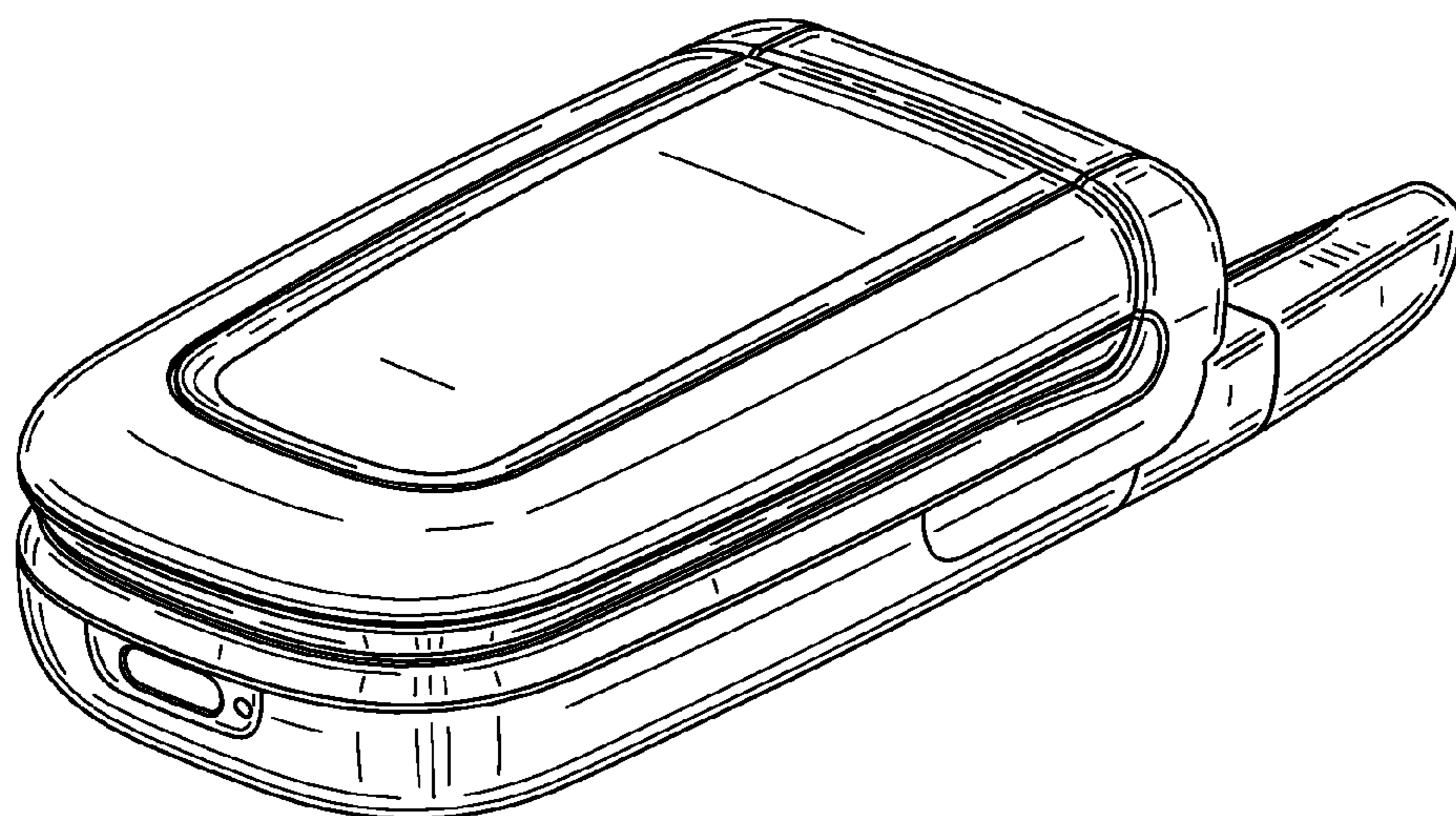


FIG. 7

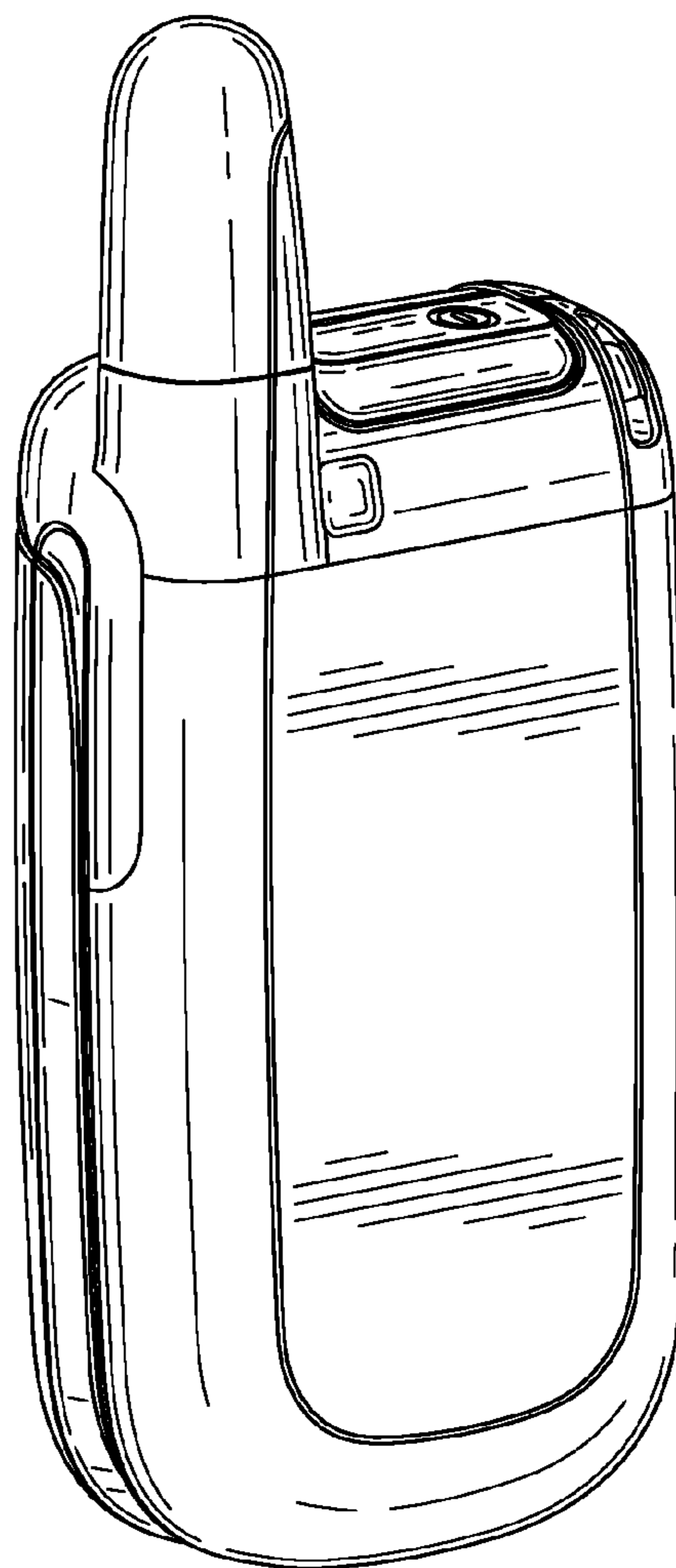


FIG. 8

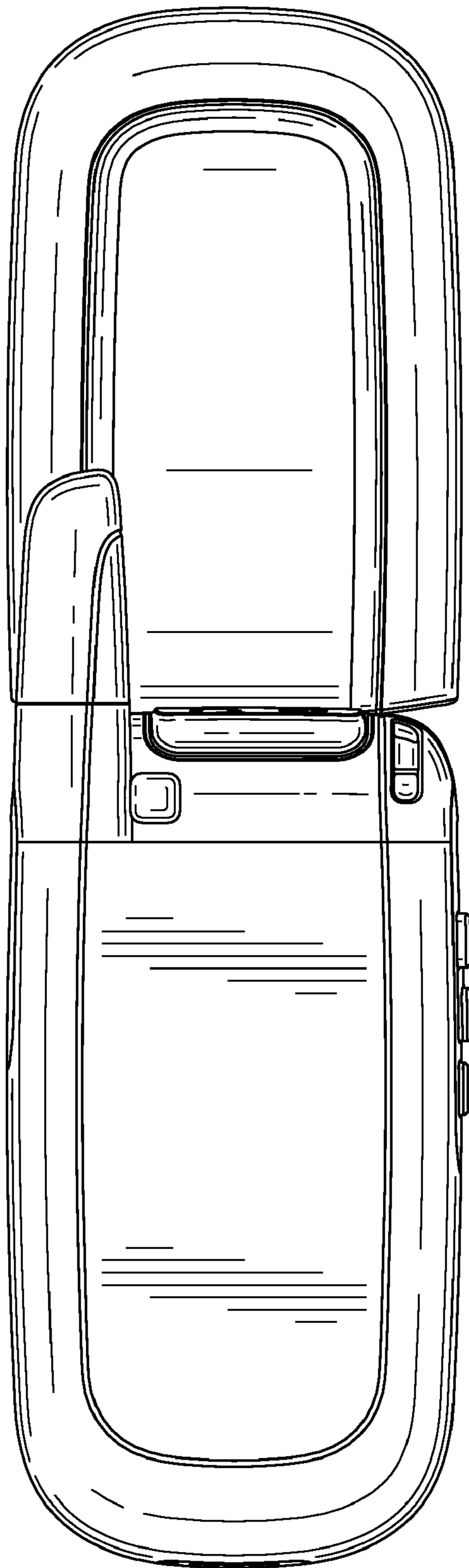


FIG. 9

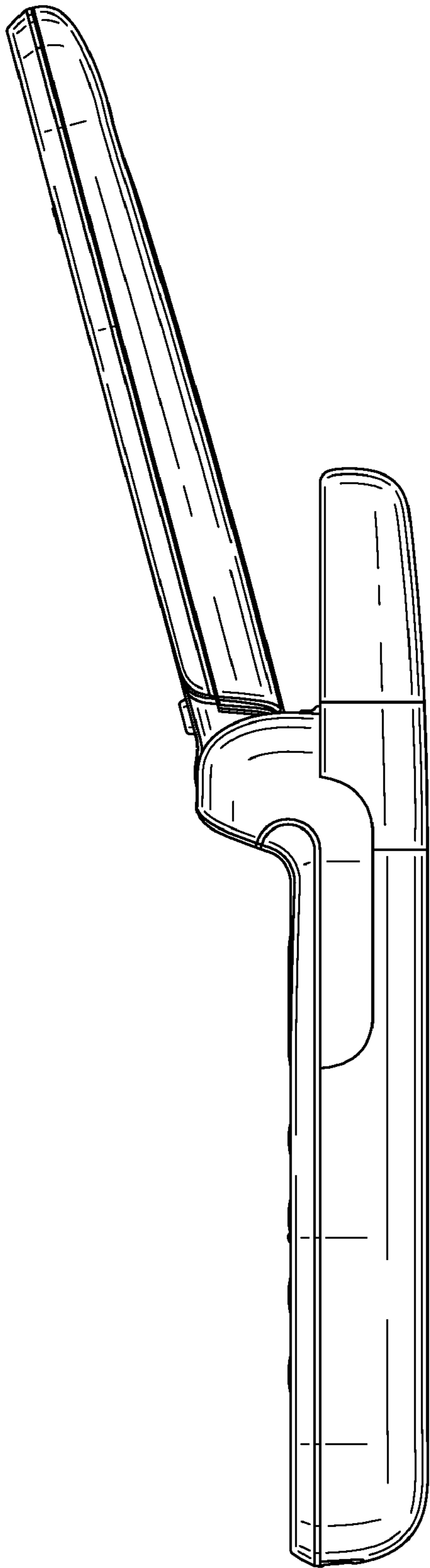


FIG. 10

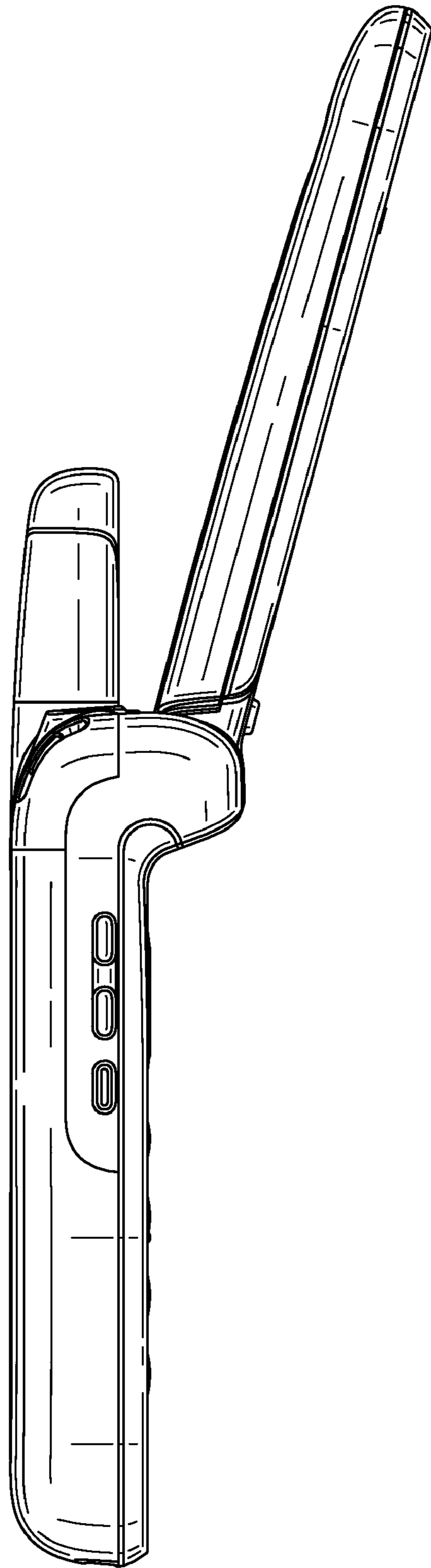


FIG. 11

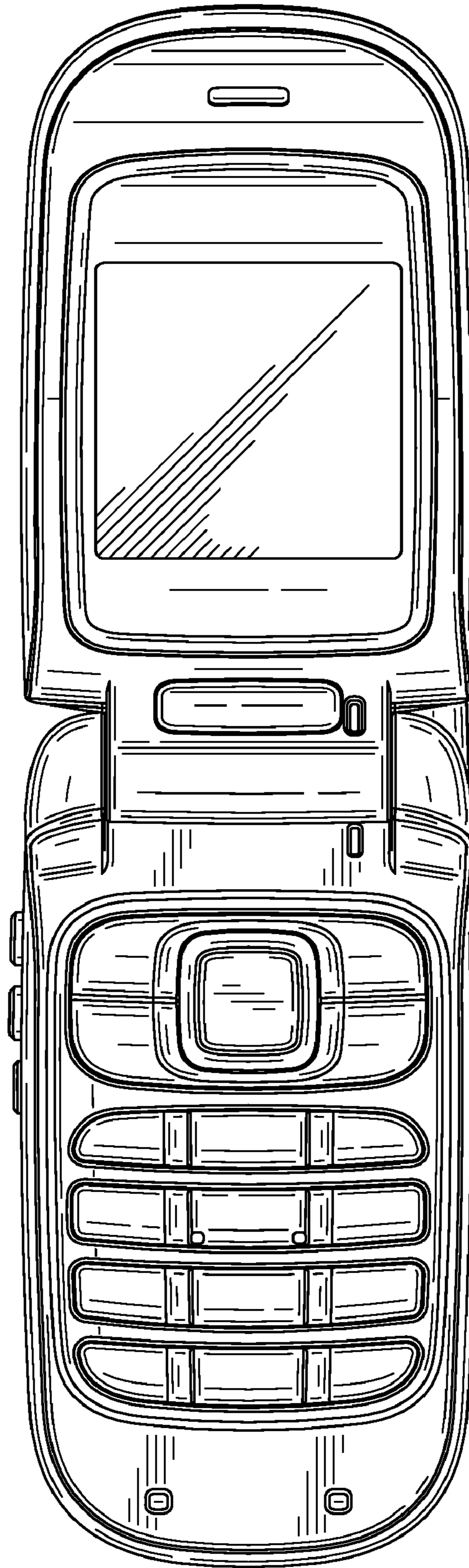


FIG. 12

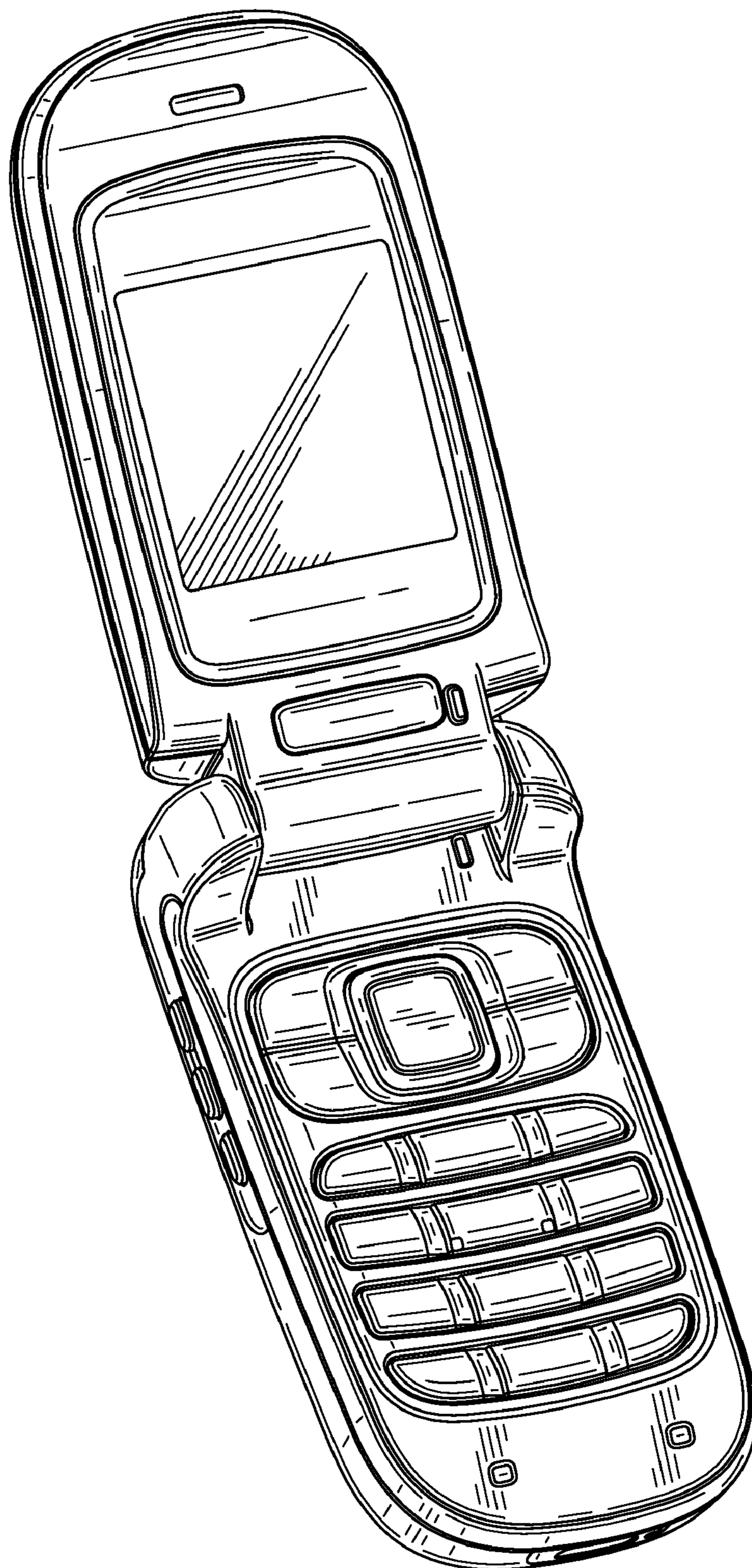


FIG. 13