



US00D556163S

(12) **United States Design Patent**  
**Oota**

(10) **Patent No.:** **US D556,163 S**

(45) **Date of Patent:** **\*\* Nov. 27, 2007**

(54) **OPTICAL DISC PLAYER**

(75) Inventor: **Kiyoshi Oota**, Tokyo (JP)

(73) Assignee: **Sony Corporation**, Tokyo (JP)

(\*\*) Term: **14 Years**

(21) Appl. No.: **29/260,988**

(22) Filed: **Jun. 6, 2006**

(30) **Foreign Application Priority Data**

Dec. 8, 2005 (JP) ..... 2005-036296

(51) **LOC (8) Cl.** ..... **14-01**

(52) **U.S. Cl.** ..... **D14/136**

(58) **Field of Classification Search** ..... D14/135-136,  
D14/156-157, 167-168, 496, 197-198, 217,  
D14/257, 258, 445; 360/99.02, 99.07; 369/75.11,  
369/75.21, 77.21, 77.11; 720/612, 619, 647,  
720/655; 455/344, 347-351

See application file for complete search history.

(56) **References Cited**

**U.S. PATENT DOCUMENTS**

D441,352 S \* 5/2001 Kuo ..... D14/217  
D466,876 S \* 12/2002 Usami et al. .... D14/136

D503,693 S \* 4/2005 Tejima ..... D14/136  
D508,901 S \* 8/2005 Wu ..... D14/136  
D510,076 S \* 9/2005 Wu ..... D14/136  
D513,410 S \* 1/2006 Moriya et al. .... D14/136  
D524,775 S \* 7/2006 Liu ..... D14/136

\* cited by examiner

*Primary Examiner*—Nanda Bondade

(74) *Attorney, Agent, or Firm*—Rader, Fishman & Grauer  
PLLC

(57) **CLAIM**

The ornamental design for a optical disc player, as shown.

**DESCRIPTION**

FIG. 1 is a perspective view of a optical disc player showing my new design;

FIG. 2 is a front elevational view thereof;

FIG. 3 is a rear elevational view thereof;

FIG. 4 is a left side elevational view thereof;

FIG. 5 is a right side elevational view thereof;

FIG. 6 is a top plan view thereof; and,

FIG. 7 is a bottom plan view thereof.

**1 Claim, 7 Drawing Sheets**

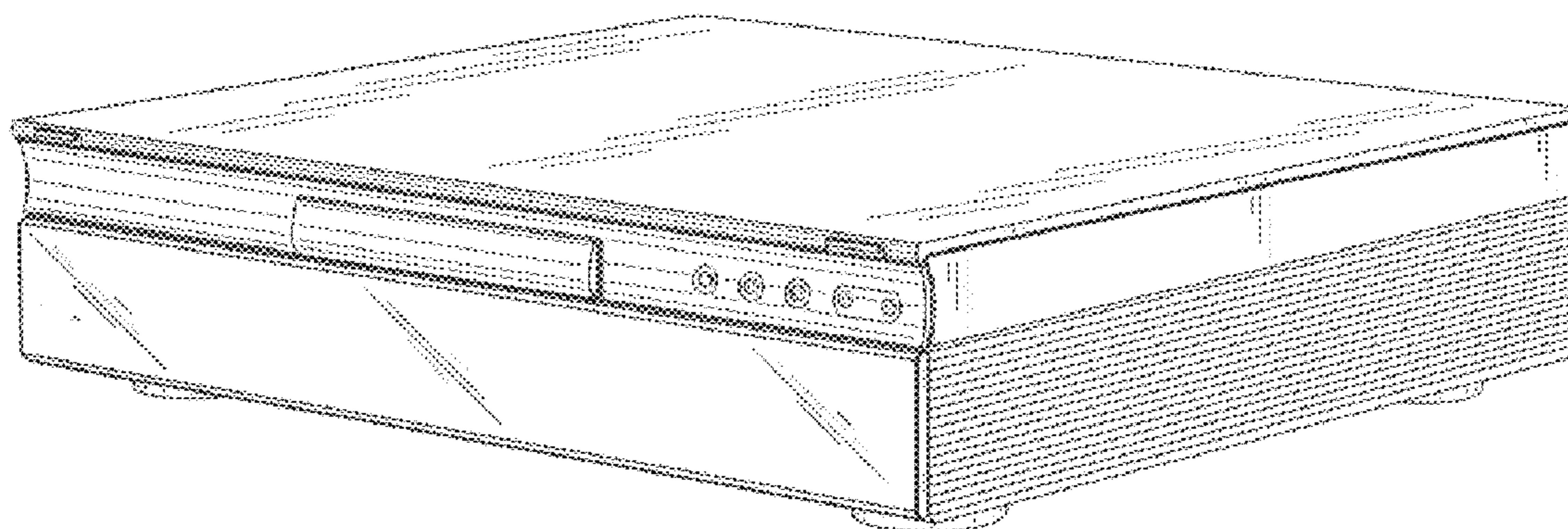


Fig. 1

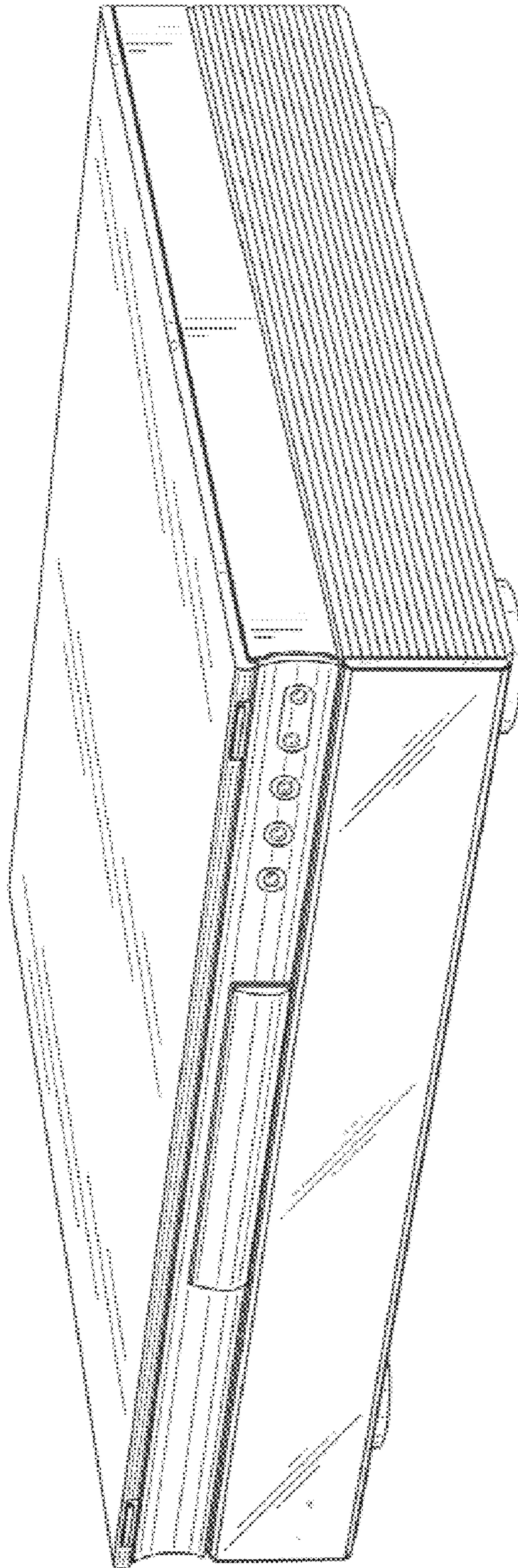


Fig.2

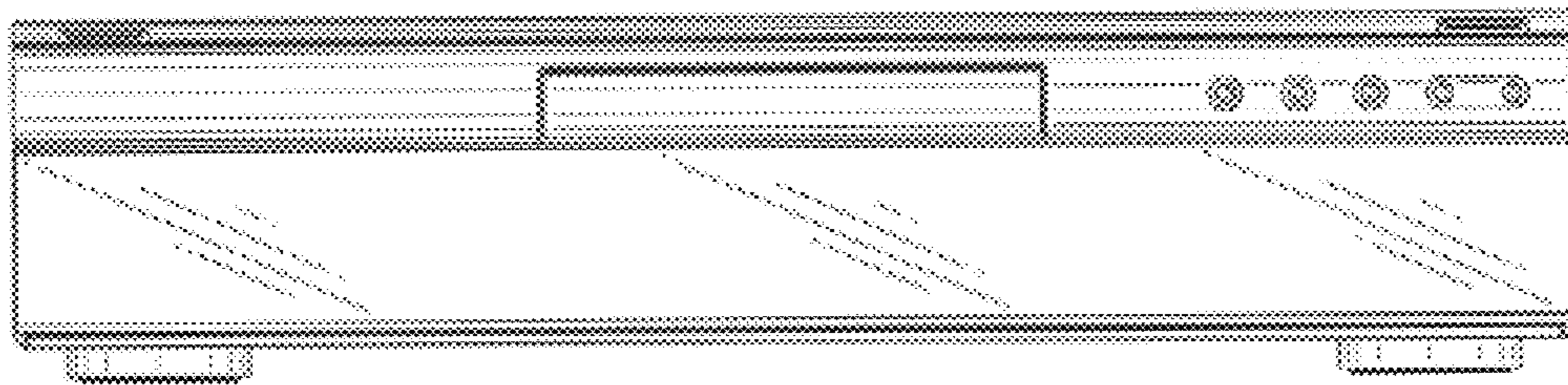


Fig.3

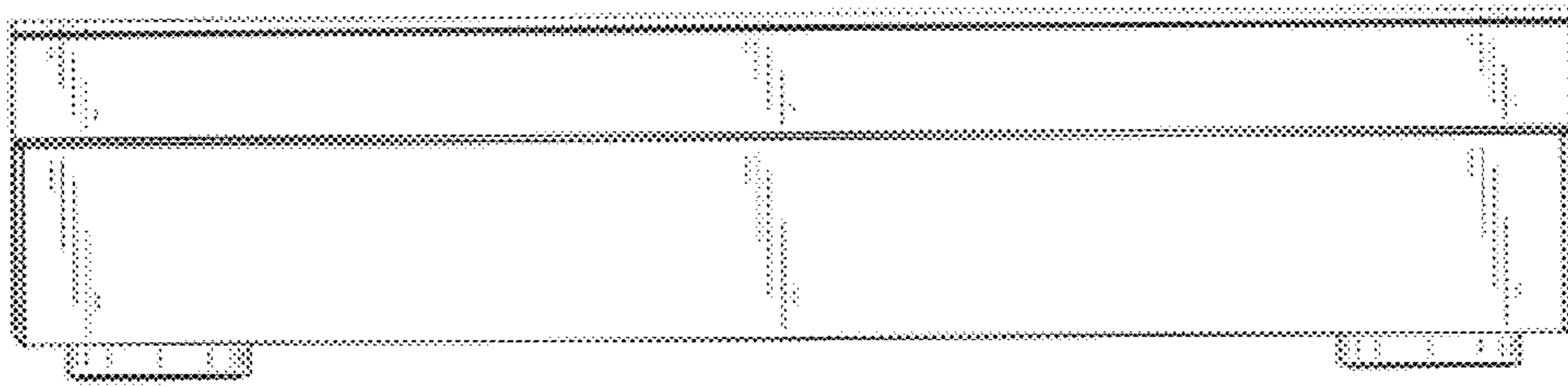


Fig.4

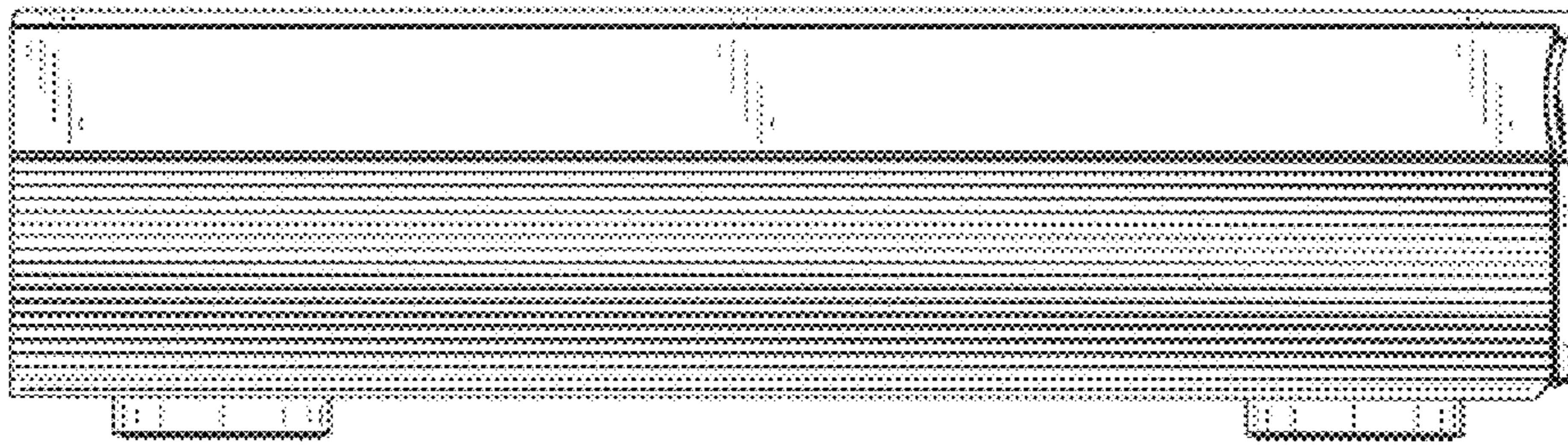


Fig.5

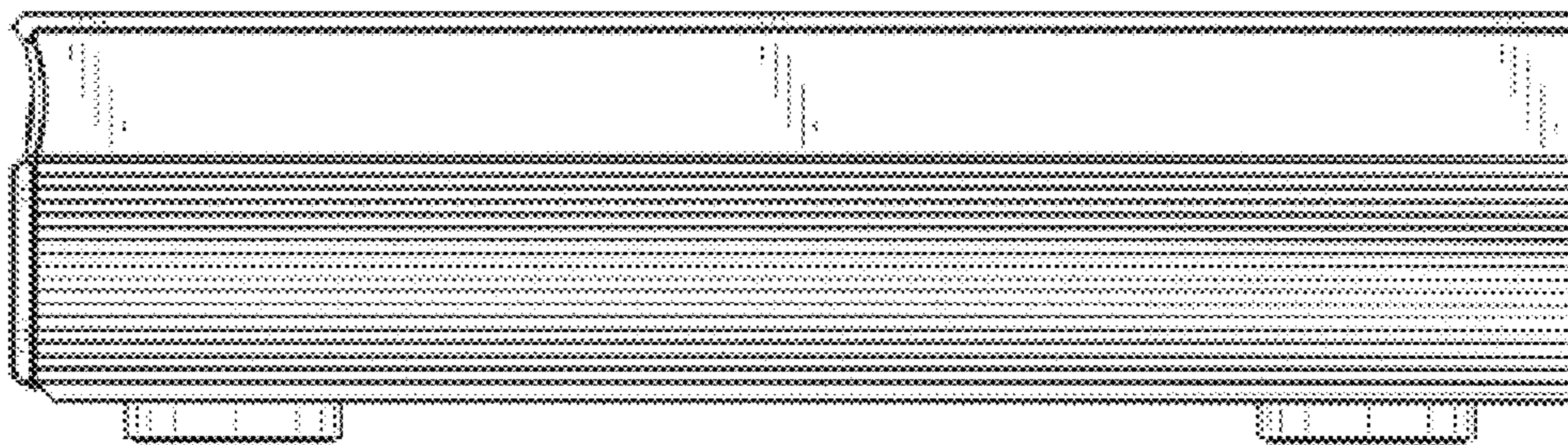


Fig.6

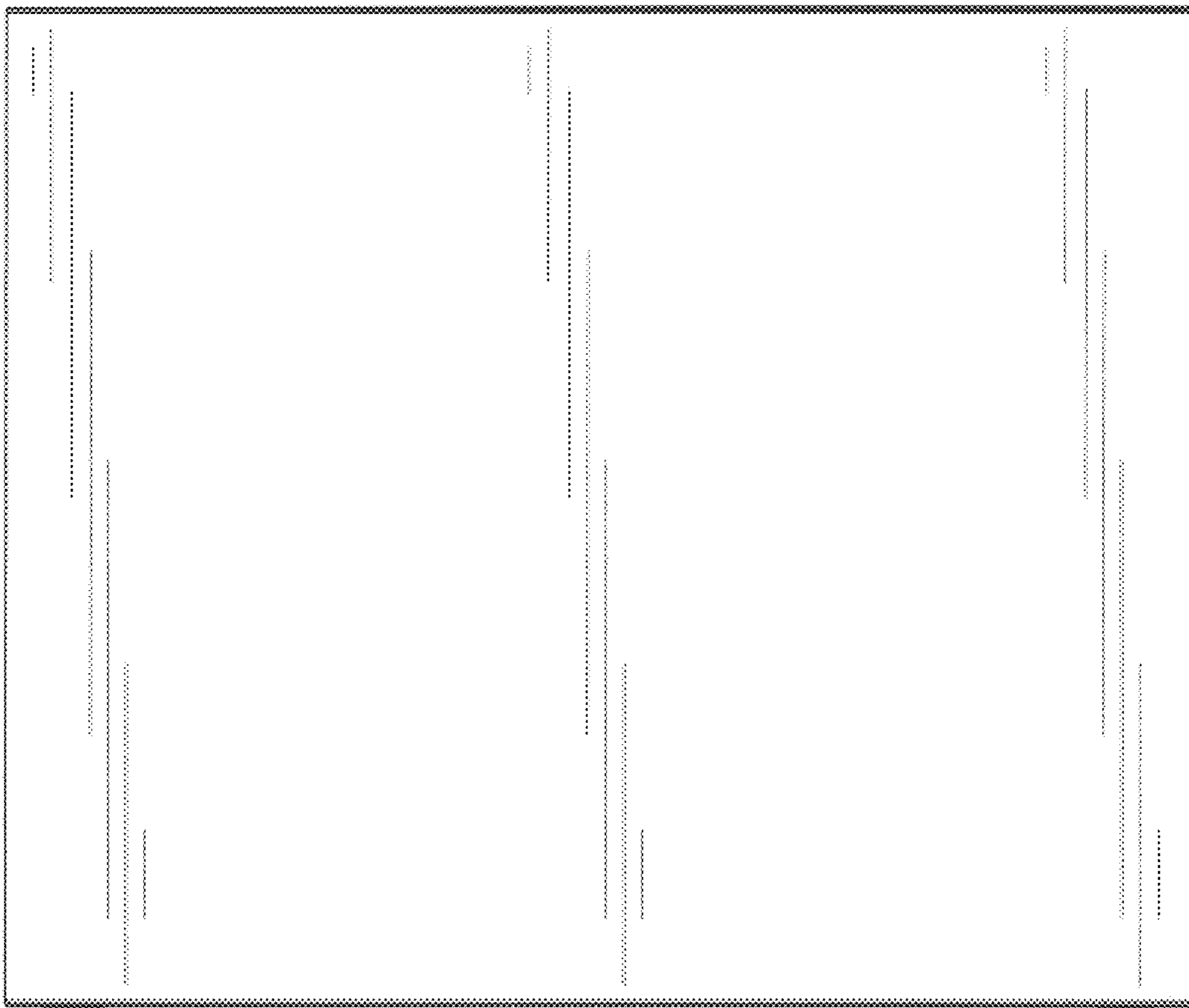


Fig.7

