



US00D556155S

(12) **United States Design Patent** (10) **Patent No.:** **US D556,155 S**  
**Andre et al.** (45) **Date of Patent:** **\*\* Nov. 27, 2007**

(54) **REMOTE CONTROLLER**

FOREIGN PATENT DOCUMENTS

(75) Inventors: **Bartley K. Andre**, Menlo Park, CA (US); **Daniel J. Coster**, San Francisco, CA (US); **Daniele De Iuliis**, San Francisco, CA (US); **Richard P. Howarth**, San Francisco, CA (US); **Jonathan P. Ive**, San Francisco, CA (US); **Duncan Robert Kerr**, San Francisco, CA (US); **Shin Nishibori**, San Francisco, CA (US); **Matthew Dean Rohrbach**, San Francisco, CA (US); **Douglas B. Satzger**, Menlo Park, CA (US); **Calvin Q. Seid**, Palo Alto, CA (US); **Christopher J. Stringer**, Portola Valley, CA (US); **Eugene Antony Whang**, San Francisco, CA (US); **Rico Zorkendorfer**, San Francisco, CA (US)

JP D. 1085073 9/2000  
JP D. 1085080 9/2000  
JP D. 1089527 10/2000

(Continued)

OTHER PUBLICATIONS

U.S. Design Application, Andre et al., Media Device, filed Feb. 25, 2005, Ser. No. 29/224,220.

(Continued)

*Primary Examiner*—Selina Sikder  
(74) *Attorney, Agent, or Firm*—Beyer Weaver LLP

(57) **CLAIM**

We claim the ornamental design for a remote controller, substantially as shown and described.

**DESCRIPTION**

FIG. 1 is a perspective view of a remote controller in accordance with the present design. The remote controller can, for example, serve as a remote controller for a media player or a media storage device, and more particularly a music player.

FIG. 2 is a front view of the remote controller.  
FIG. 3 is a rear view for the remote controller.  
FIG. 4 is a top view for the remote controller.  
FIG. 5 is a bottom view for the remote controller.  
FIG. 6 is a left side view of the remote controller.  
FIG. 7 is a right view of the remote controller.  
FIG. 8 is a front perspective view of the remote controller in an opened position.  
FIG. 9 is a rear perspective view of the remote controller in an opened position; and,  
FIG. 10 is a front view of the remote controller with a cable extending therefrom. The cable may for example couple to a media device.

The features shown in broken lines in the various Figures are for illustrating environmental structure and form no part of the claimed design.

(73) Assignee: **Apple Inc.**, Cupertino, CA (US)

(\*\*) Term: **14 Years**

(21) Appl. No.: **29/251,424**

(22) Filed: **Jan. 5, 2006**

(51) **LOC (8) Cl.** ..... **13-03**

(52) **U.S. Cl.** ..... **D13/168; D14/218**

(58) **Field of Classification Search** ..... D13/168;  
D10/104, 106; D14/218, 247; 340/825.22,  
340/825.24, 825.25, 825.31, 825.36, 825.69,  
340/825.71, 825.72; 341/20, 22, 23, 34, 173,  
341/174, 176; 345/156, 168, 169; 348/734;  
455/92, 95, 100, 128, 151.1–151.4, 325–355;  
463/39; 700/17, 19, 20, 281

See application file for complete search history.

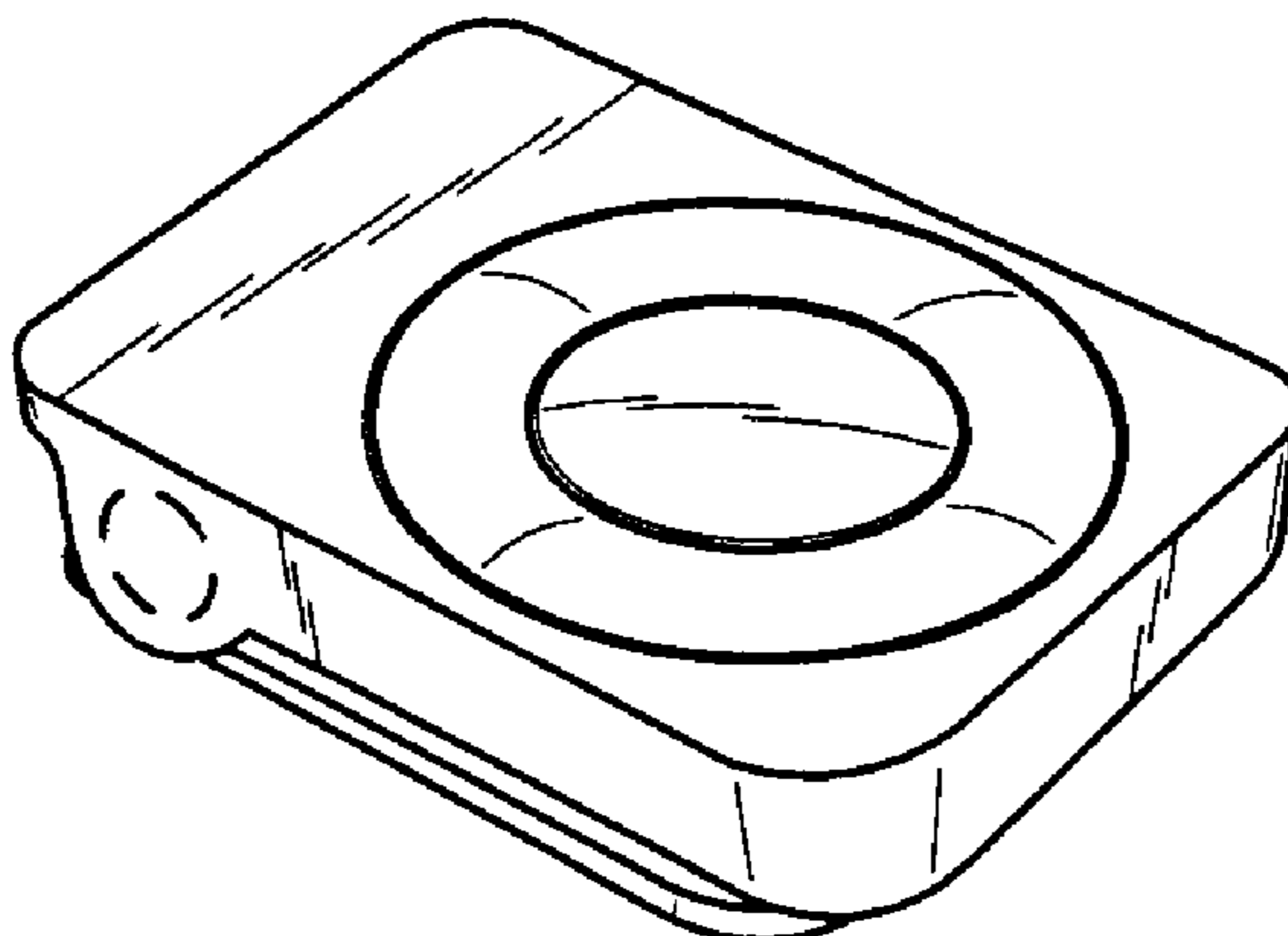
(56) **References Cited**

U.S. PATENT DOCUMENTS

D357,919 S \* 5/1995 Tsui ..... D14/218

(Continued)

**1 Claim, 2 Drawing Sheets**



# US D556,155 S

Page 2

## U.S. PATENT DOCUMENTS

D358,152 S \* 5/1995 Ito et al. .... D14/218  
D374,693 S \* 10/1996 Osborne ..... D21/513  
5,825,408 A 10/1998 Yuyama et al.  
5,859,594 A 1/1999 King et al.  
D405,424 S \* 2/1999 Winkler et al. .... D13/168  
6,122,526 A 9/2000 Parulski et al.  
D432,523 S 10/2000 Grinkus et al.  
6,314,483 B1 11/2001 Goto et al.  
D452,250 S 12/2001 Chan  
D469,109 S 1/2003 Andre et al.  
D472,245 S 3/2003 Andre et al.  
D473,207 S 4/2003 Tanio  
6,591,085 B1 7/2003 Grady  
D478,053 S \* 8/2003 Andre et al. .... D13/168  
6,671,567 B1 12/2003 Dwyer et al.  
6,675,300 B1 \* 1/2004 Jung et al. .... 726/17  
D486,813 S 2/2004 Chun  
D489,052 S 4/2004 Shiraki et al.  
D490,068 S 5/2004 Chen  
D494,188 S 8/2004 Huang  
6,791,907 B2 9/2004 Berhan  
D497,618 S 10/2004 Andre et al.  
D500,302 S 12/2004 Deguchi  
D500,485 S 1/2005 Deguchi  
D507,277 S 7/2005 Sitoh  
6,920,344 B2 7/2005 Jang  
D508,495 S 8/2005 Bone et al.  
D510,937 S 10/2005 Tsai  
D511,347 S 11/2005 Naruki  
D511,510 S 11/2005 Beasley et al.  
D513,011 S 12/2005 Johnson  
D513,512 S 1/2006 Tsai  
D515,545 S 2/2006 Griffin  
D516,576 S 3/2006 Andre et al.  
D516,579 S 3/2006 Nakamura  
7,013,164 B2 3/2006 Lin  
D521,023 S 5/2006 Kim et al.

7,046,230 B2 5/2006 Zadesky et al.  
D530,340 S 10/2006 Andre et al.  
D534,921 S 1/2007 Andre et al.  
D535,308 S 1/2007 Andre et al.  
2004/0224638 A1 11/2004 Fadell  
2004/0233646 A1 11/2004 Yen  
2005/0109841 A1 5/2005 Ryan et al.  
2006/0094301 A1 5/2006 Lee et al.

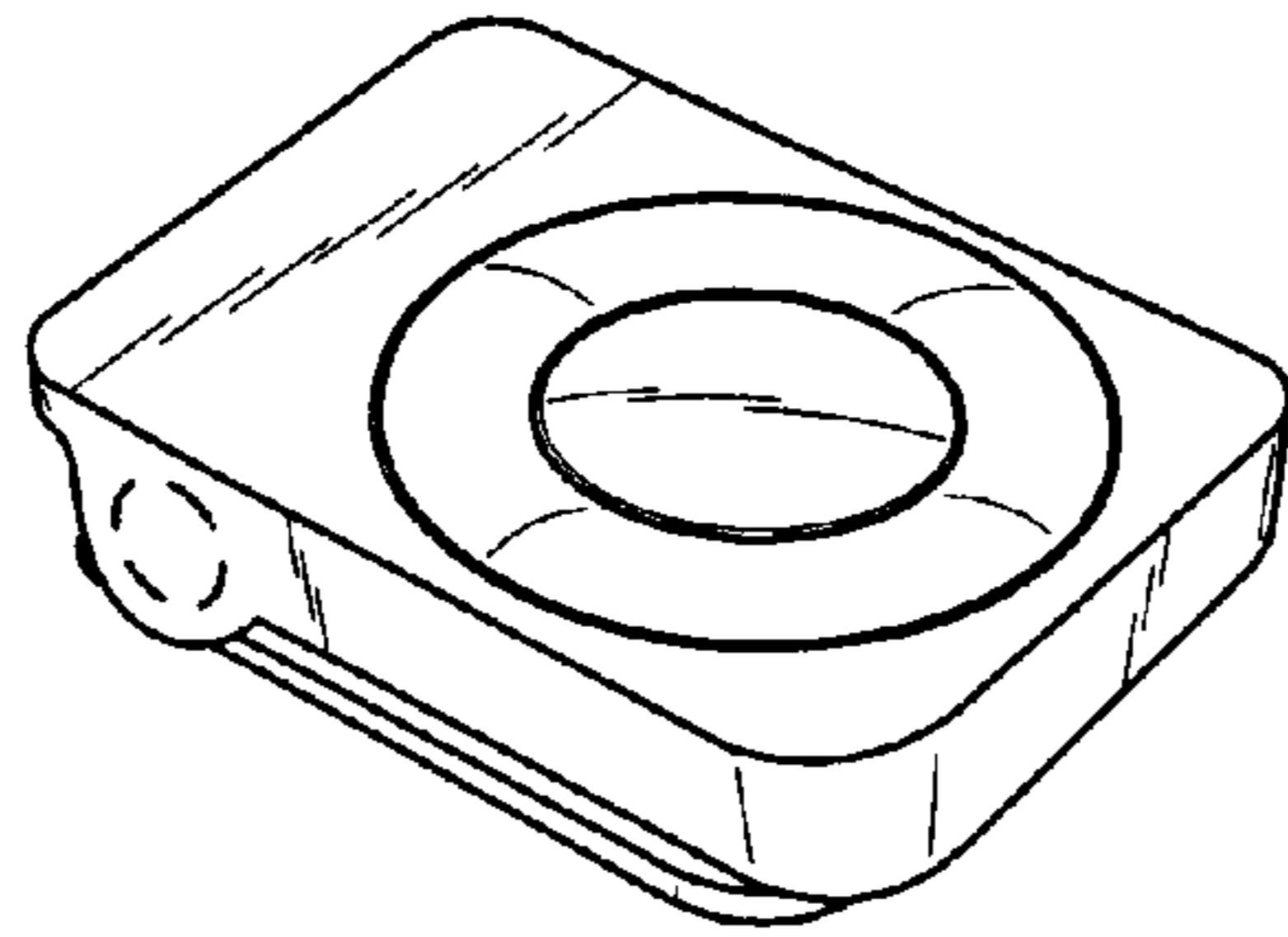
## FOREIGN PATENT DOCUMENTS

JP D. 1089528 10/2000  
JP D. 1089529 10/2000  
JP D. 1105429 4/2001  
JP D. 1106452 4/2001  
JP D. 1123108 10/2001  
JP D. 1129387 12/2001  
JP D. 1106151 8/2002  
JP D. 1089530 10/2002  
JP D. 1131037 10/2002  
JP D. 1154927 10/2002  
JP D. 1174623 6/2003  
JP D. 1174710 6/2003  
JP D. 1185408 9/2003  
JP D. 1188267 10/2003  
JP D. 1191223 12/2003  
JP D. 1193941 1/2004  
JP D. 1211811 7/2004  
JP D. 1211812 7/2004

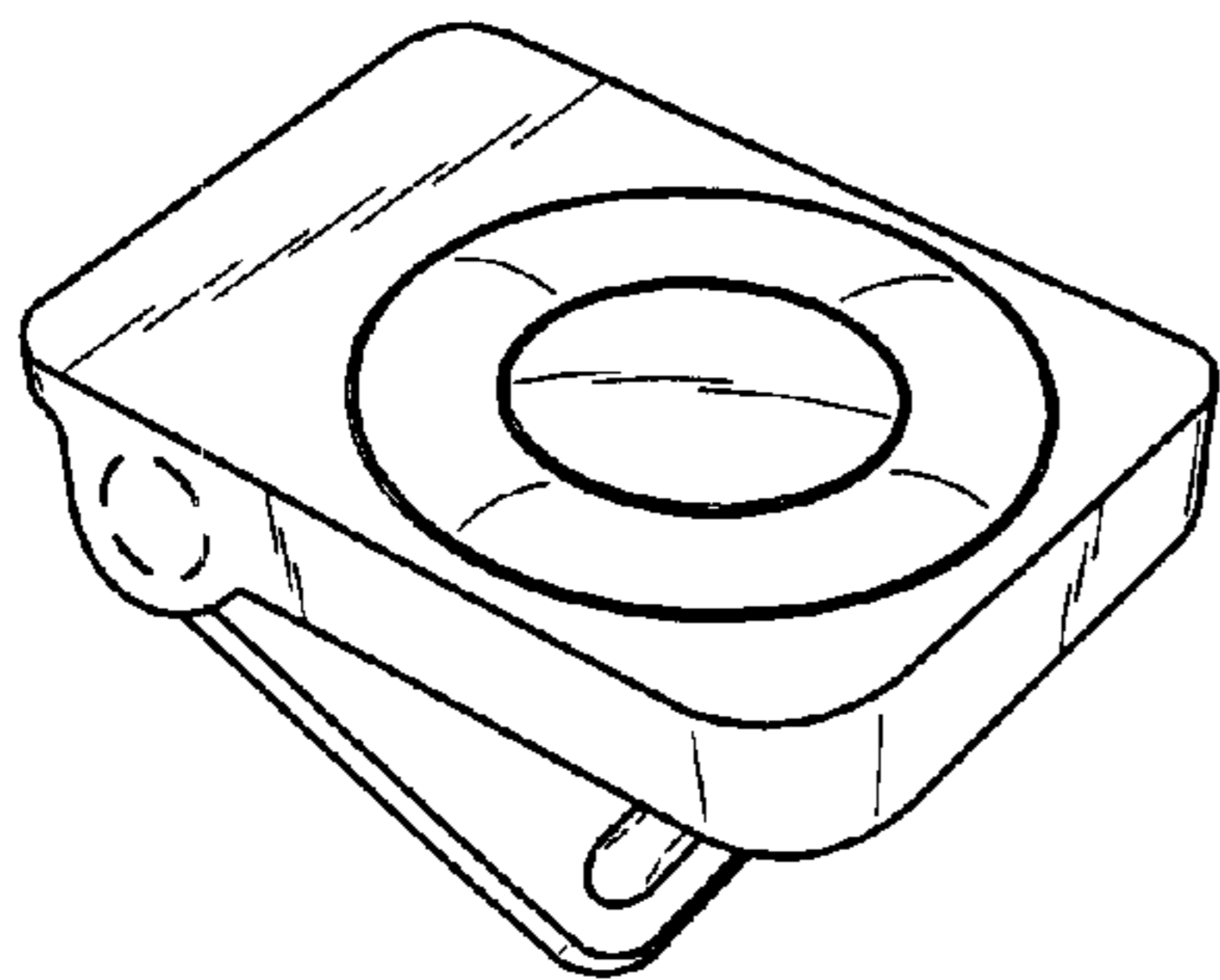
## OTHER PUBLICATIONS

U.S. Design Application, Andre et al., Media Device, filed Jun. 24, 2004, Ser. No. 29/208,302.  
U.S. Design Application, Andre et al., Media Device, filed Aug. 31, 2004, Ser. No. 29/212,343.  
U.S. Design Application No. 29/257,234, entitled "Media Device", filed Mar. 31, 2006.

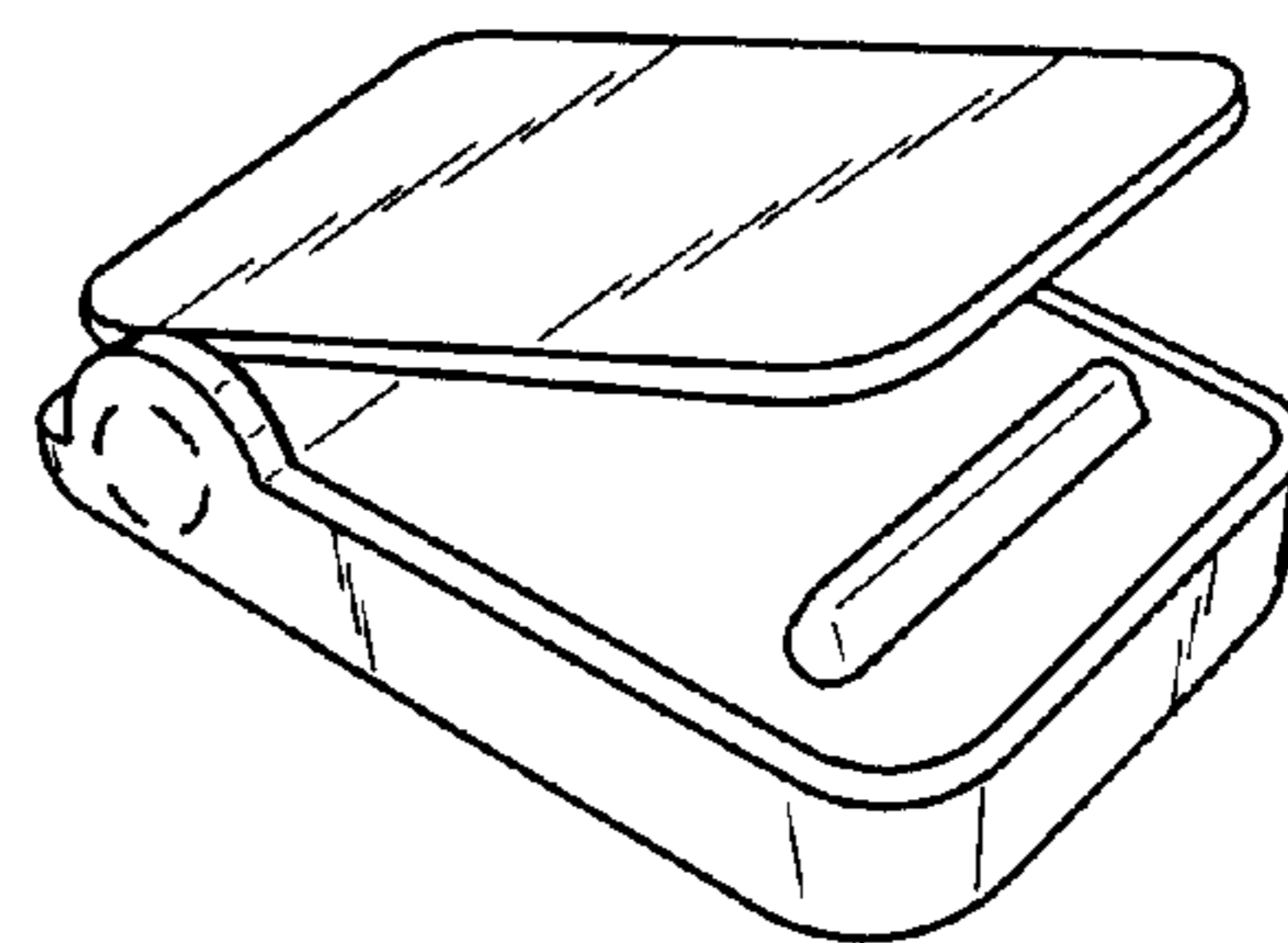
\* cited by examiner



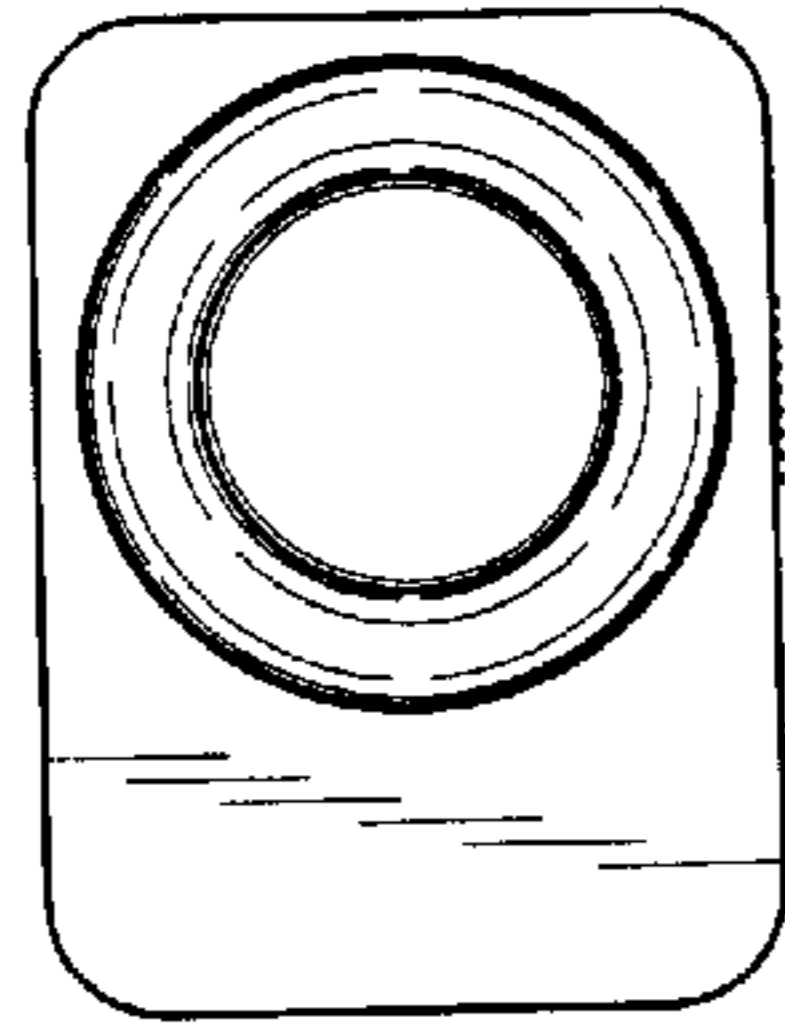
**FIG. 1**



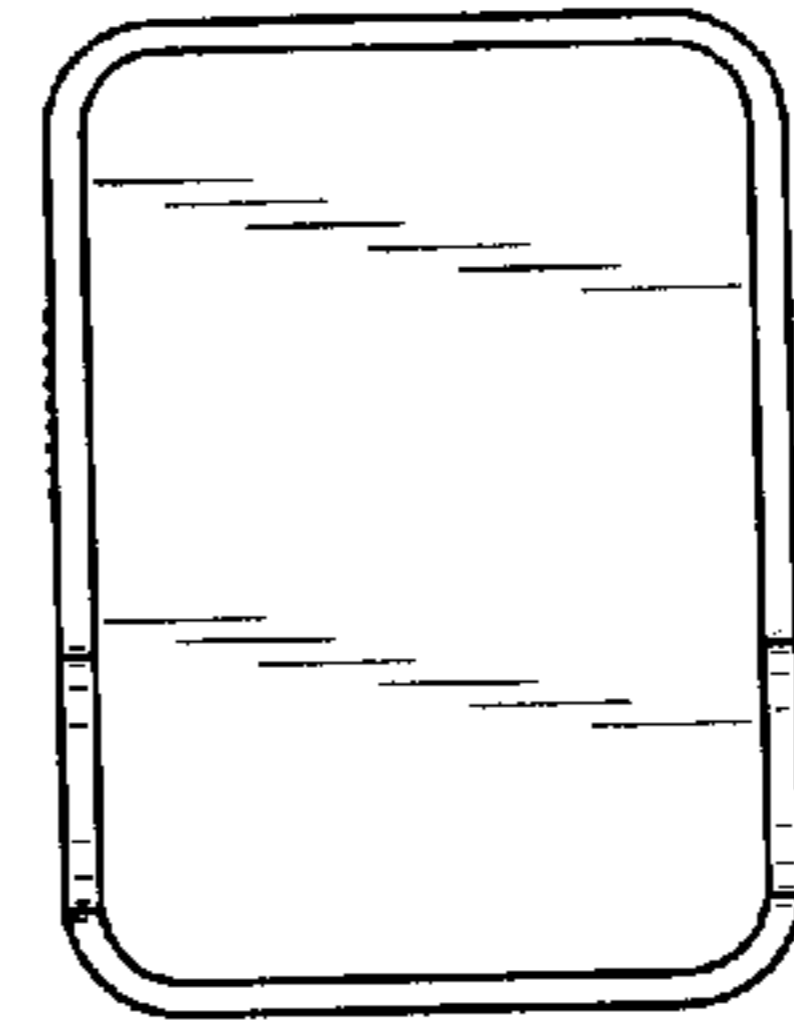
**FIG. 8**



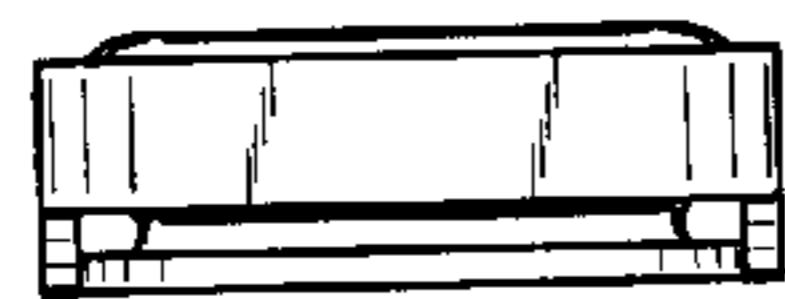
**FIG. 9**



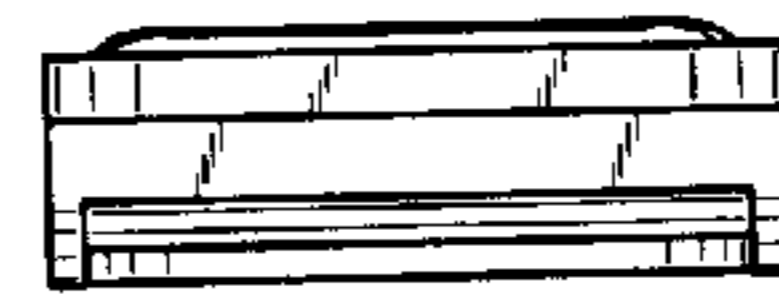
**FIG. 2**



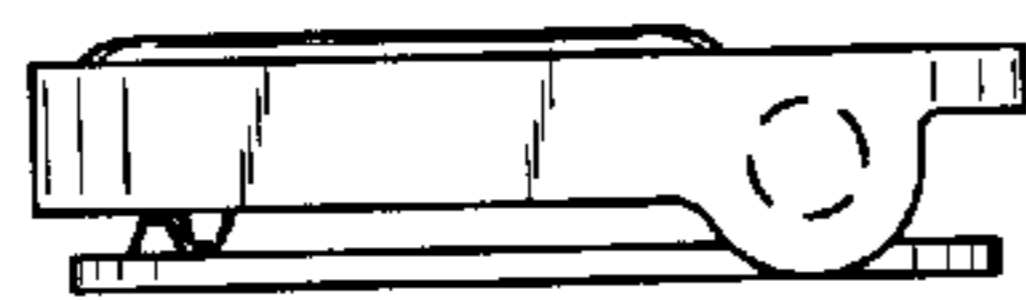
**FIG. 3**



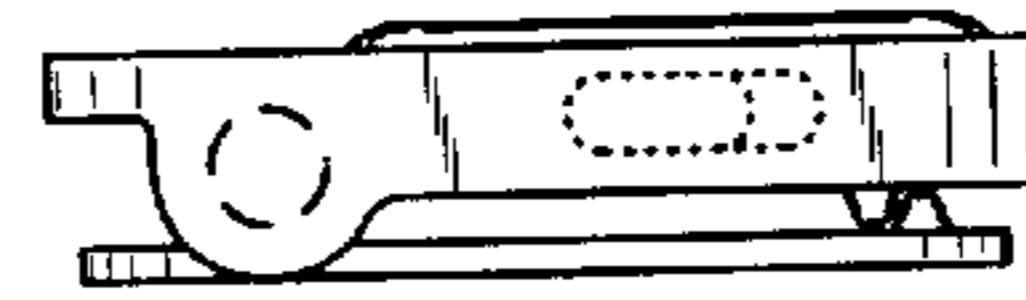
**FIG. 4**



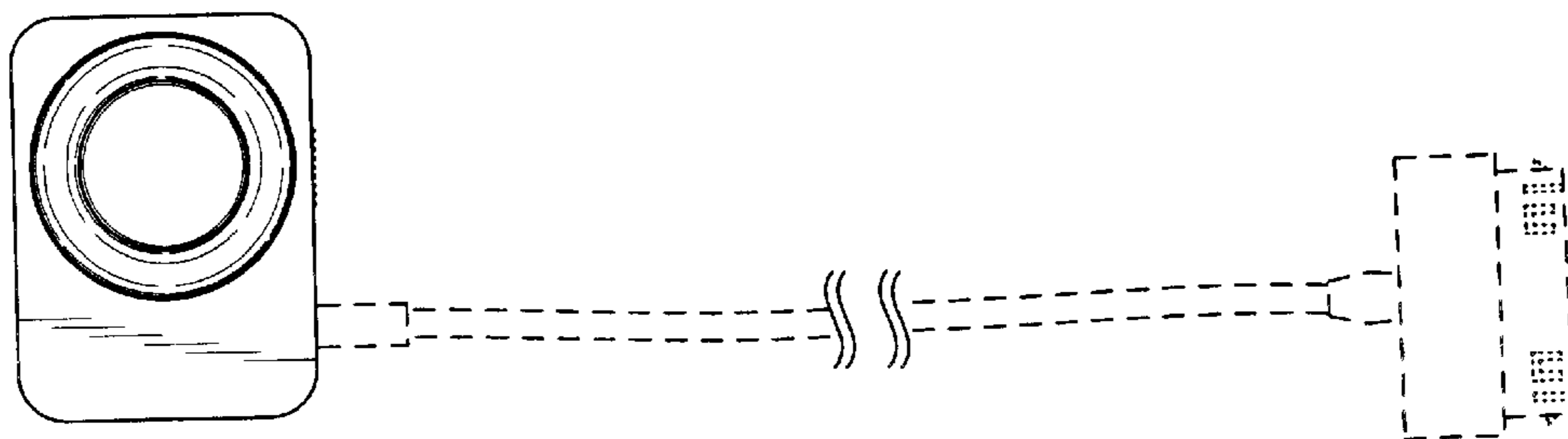
**FIG. 5**



**FIG. 6**



**FIG. 7**



**FIG. 10**