



US00D556153S

(12) **United States Design Patent**
Burnside

(10) **Patent No.:** **US D556,153 S**

(45) **Date of Patent:** **** Nov. 27, 2007**

(54) **INJECTABLE POWER PORT**

(75) Inventor: **Eddie K. Burnside**, Morgan, UT (US)

(73) Assignee: **C.R. Bard, Inc.**, Murray Hill, NJ (US)

(**) Term: **14 Years**

(21) Appl. No.: **29/247,954**

(22) Filed: **Jul. 21, 2006**

Related U.S. Application Data

(63) Continuation-in-part of application No. 29/239,163, filed on Sep. 27, 2005, now Pat. No. Des. 546,440.

(51) **LOC (8) Cl.** **13-03**

(52) **U.S. Cl.** **D13/167**

(58) **Field of Classification Search** D13/167;
D24/108, 111; 604/288.01–288.04, 175
See application file for complete search history.

(56) **References Cited**

U.S. PATENT DOCUMENTS

4,781,680 A * 11/1988 Redmond et al. 604/288.02
5,013,298 A 5/1991 Moden et al.
5,045,060 A 9/1991 Melsky et al.

(Continued)

Primary Examiner—Selina Sikder

(74) *Attorney, Agent, or Firm*—Stoel Rives LLP; Kevin B. Laurence

(57) **CLAIM**

The ornamental design for an injectable power port, as shown and described.

DESCRIPTION

FIG. 1 is a perspective view of a first embodiment, lined for color, of an injectable power port.

FIG. 2 is a top view, lined for color, of the injectable power port illustrated in FIG. 1;

FIG. 3 is a bottom view, lined for color, of the injectable power port illustrated in FIG. 1;

FIG. 4 is a front elevation view, lined for color, of the injectable power port illustrated in FIG. 1;

FIG. 5 is a right side elevation view, lined for color, of the injectable power port illustrated in FIG. 1;

FIG. 6 is a rear elevation view, lined for color, of the injectable power port illustrated in FIG. 1;

FIG. 7 is a perspective view of a second embodiment, lined for color, of an injectable power port.

FIG. 8 is a top view, lined for color, of the injectable power port illustrated in FIG. 7;

FIG. 9 is a bottom view, lined for color, of the injectable power port illustrated in FIG. 7;

FIG. 10 is a front elevation view, lined for color, of the injectable power port illustrated in FIG. 7;

FIG. 11 is a right side elevation view, lined for color, of the injectable power port illustrated in FIG. 7;

FIG. 12 is a rear elevation view, lined for color, of the injectable power port illustrated in FIG. 7;

FIG. 13 is a perspective view of a third embodiment, lined for color, of an injectable power port.

FIG. 14 is a top view, lined for color, of the injectable power port illustrated in FIG. 13;

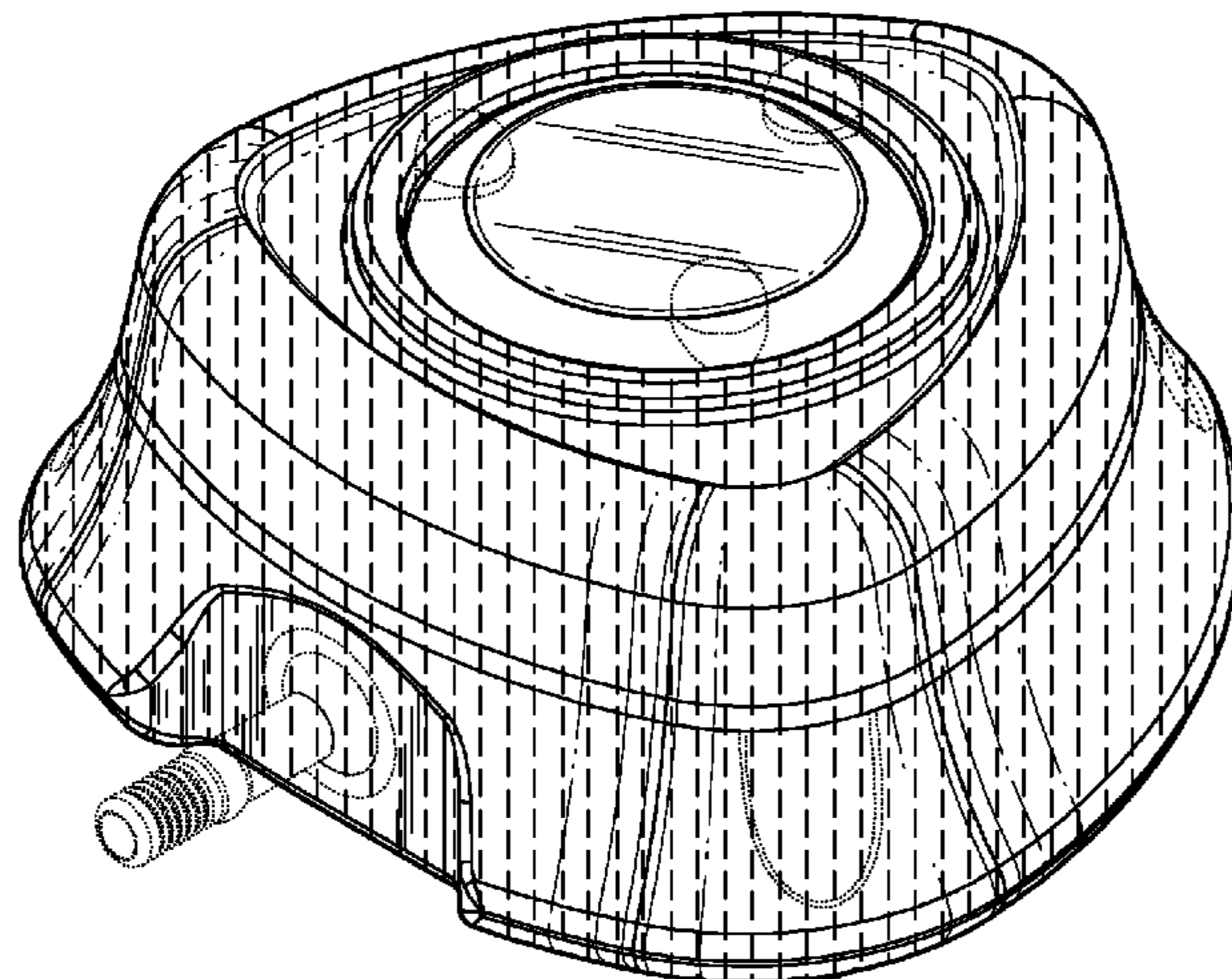
FIG. 15 is a bottom view, lined for color, of the injectable power port illustrated in FIG. 13;

FIG. 16 is a front elevation view, lined for color, of the injectable power port illustrated in FIG. 13;

FIG. 17 is a right side elevation view, lined for color, of the injectable power port illustrated in FIG. 13; and,

FIG. 18 is a rear elevation view, lined for color, of the injectable power port illustrated in FIG. 13.

1 Claim, 9 Drawing Sheets



US D556,153 S

Page 2

U.S. PATENT DOCUMENTS

D337,637 S *	7/1993	Tucker	D24/111	6,478,783 B1 *	11/2002	Moorehead	604/288.02
5,558,641 A *	9/1996	Glantz et al.	604/288.02	6,527,754 B1	3/2003	Tallarida et al.	
5,743,873 A *	4/1998	Cai et al.	604/288.02	6,878,137 B2	4/2005	Benchetrit	
6,090,066 A	7/2000	Schnell		2005/0283119 A1 *	12/2005	Uth et al.	604/175
6,113,572 A *	9/2000	Gailey et al.	604/93.01	2006/0116648 A1 *	6/2006	Hamatake	604/288.02
D445,175 S *	7/2001	Bertheas	D24/108	2006/0247584 A1 *	11/2006	Sheetz et al.	604/288.02

* cited by examiner

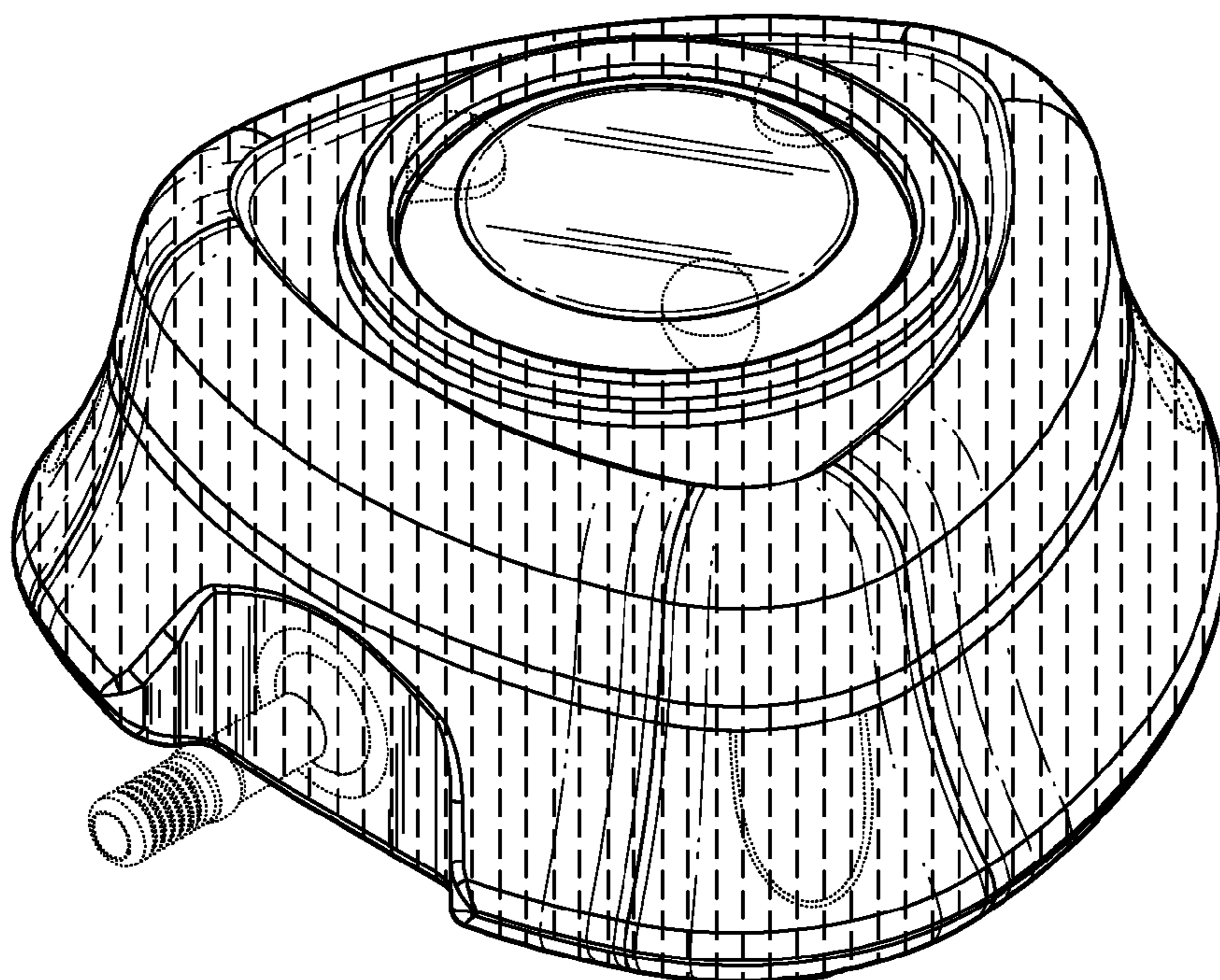


FIG. 1

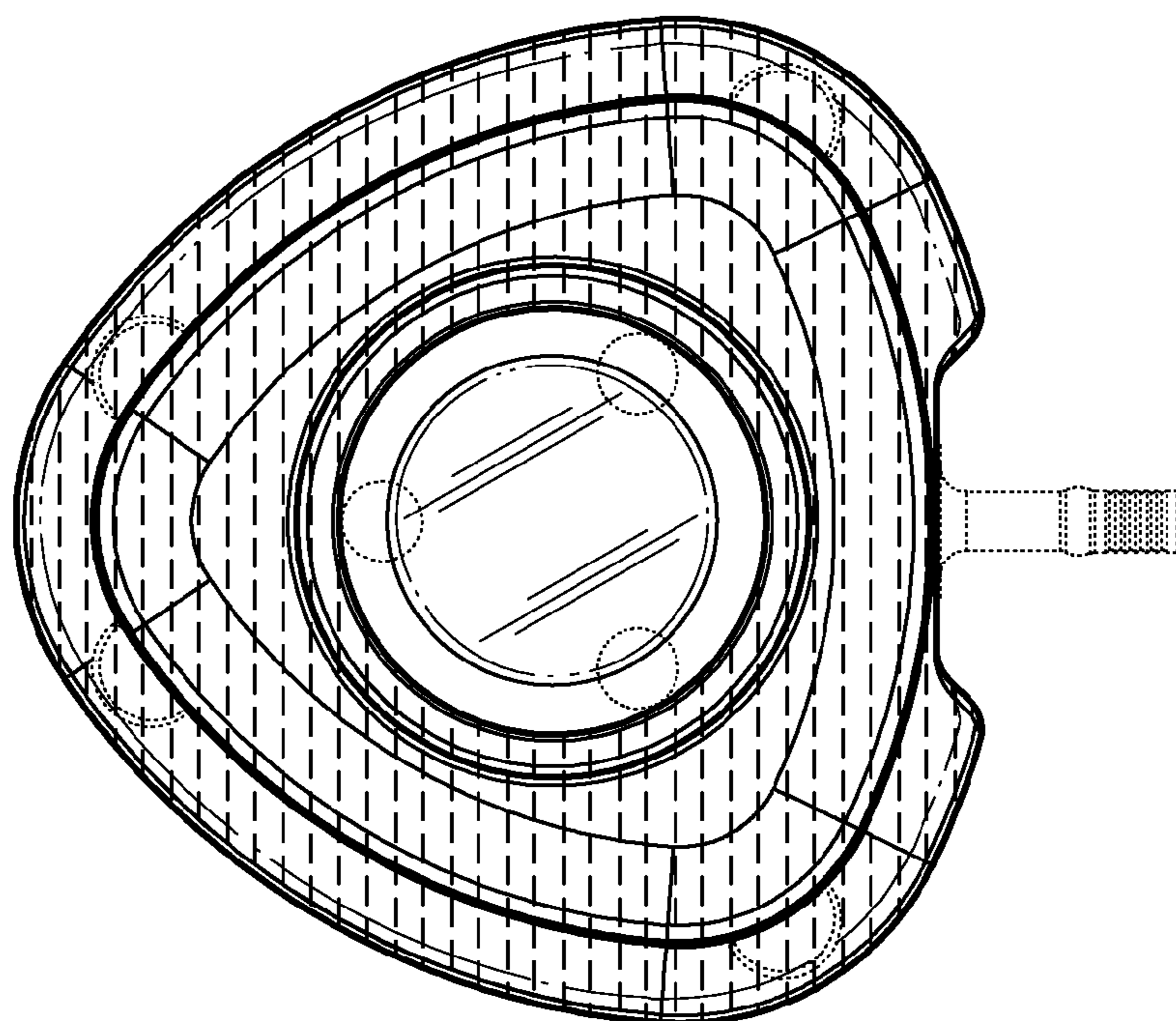


FIG. 2

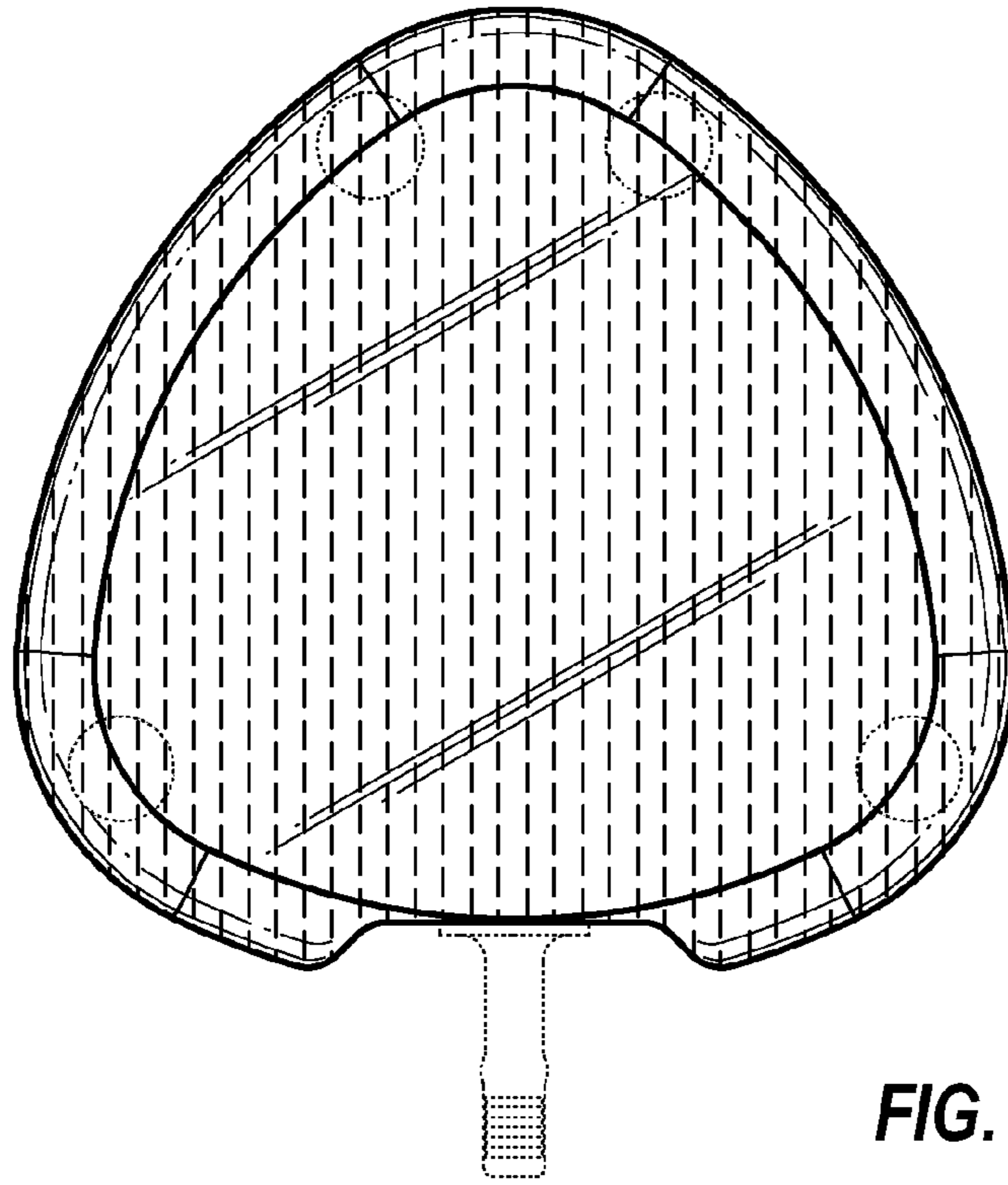


FIG. 3

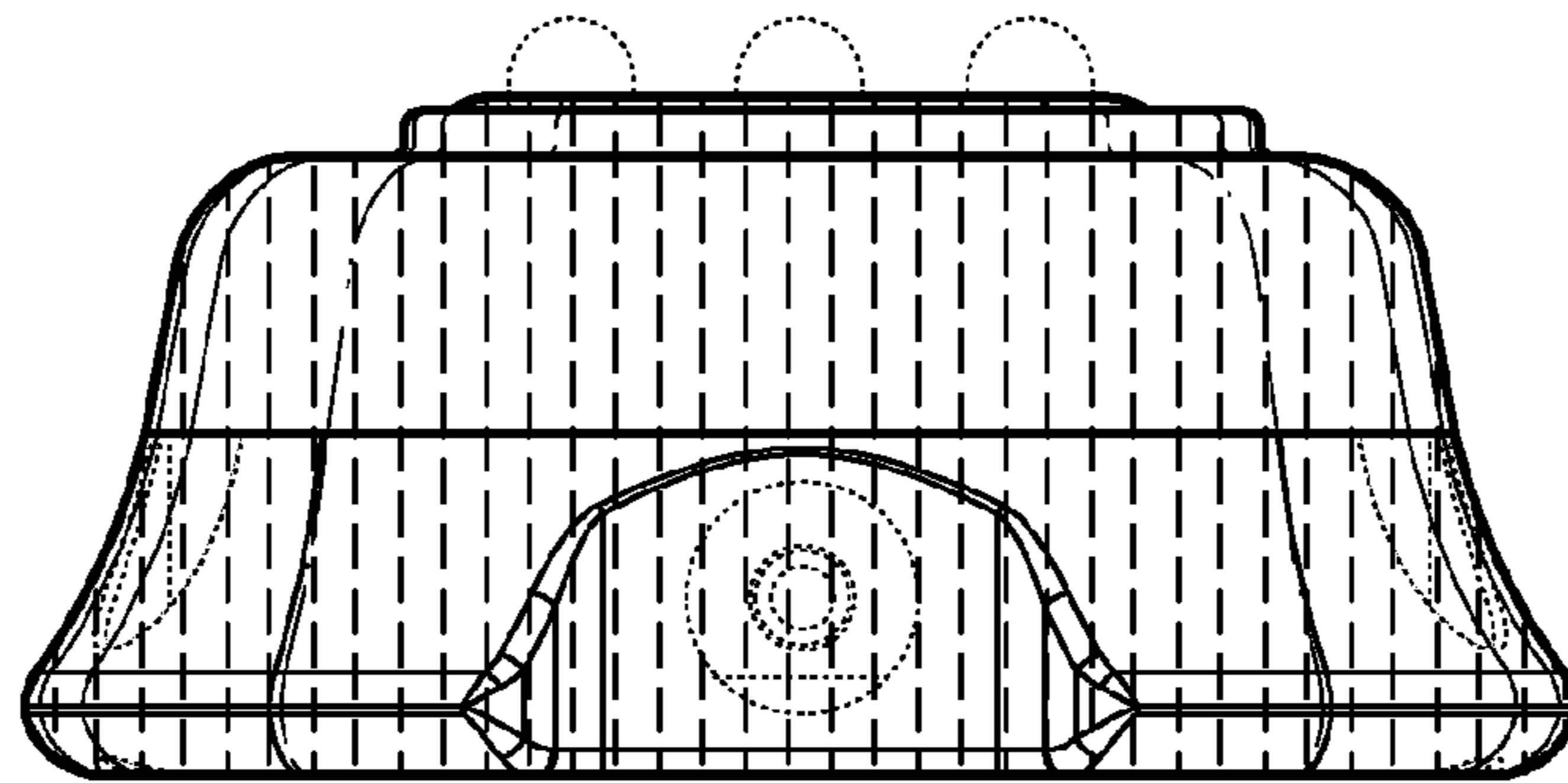


FIG. 4

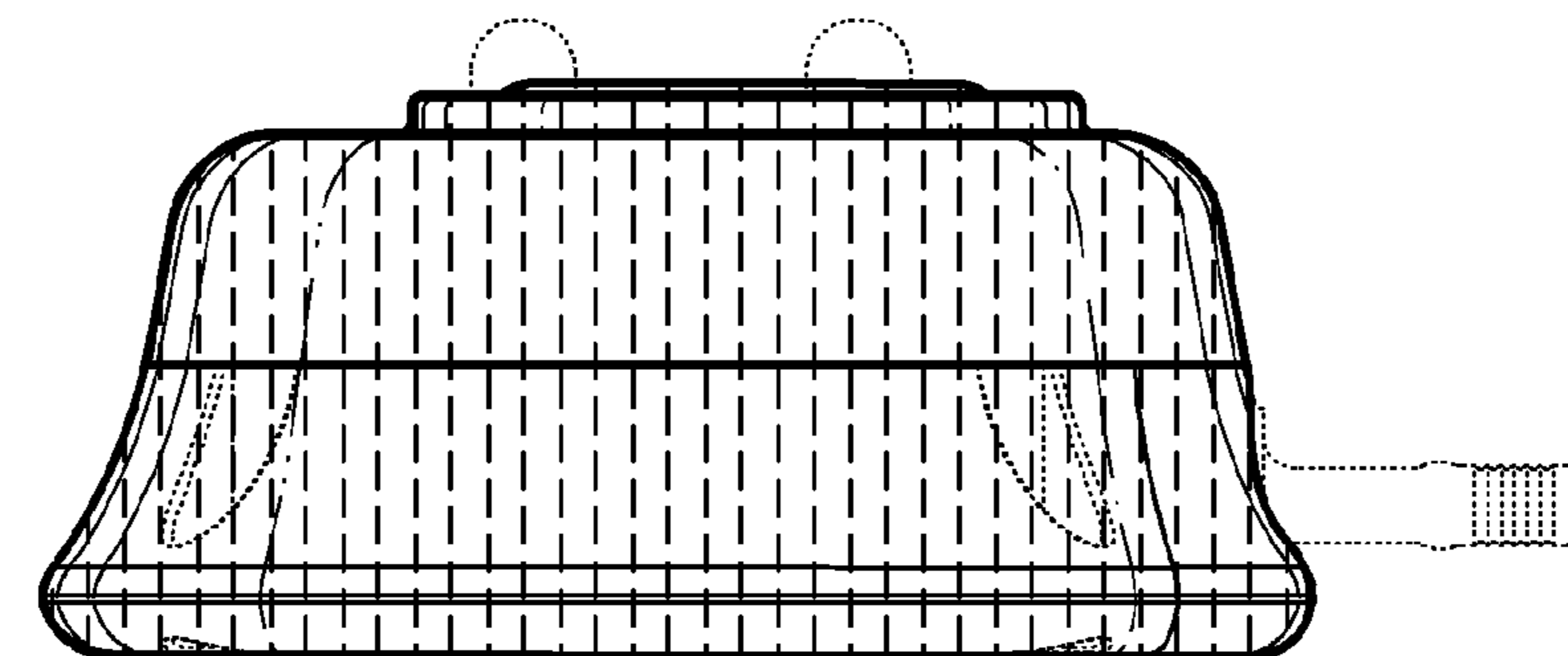


FIG. 5

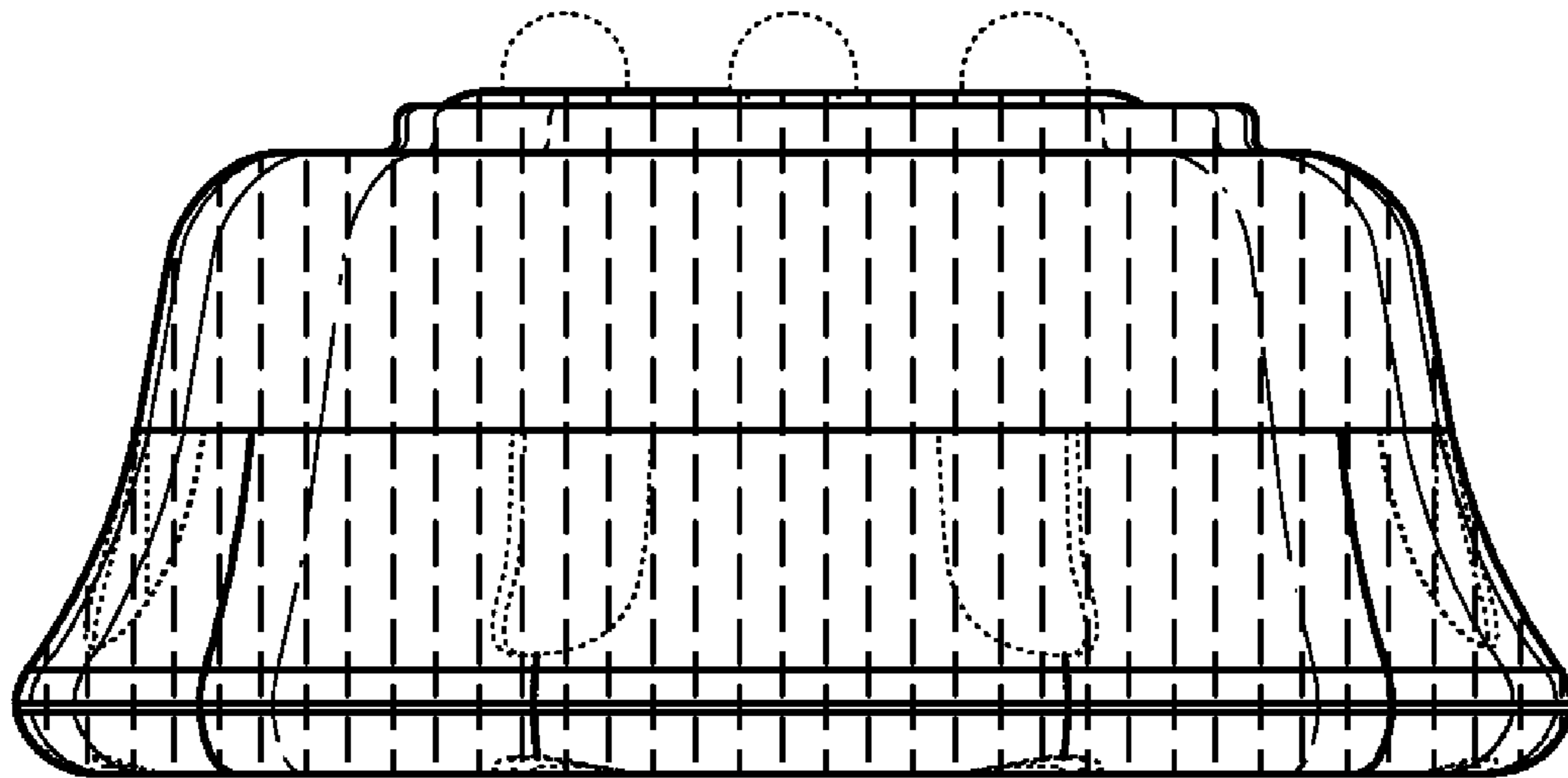


FIG. 6

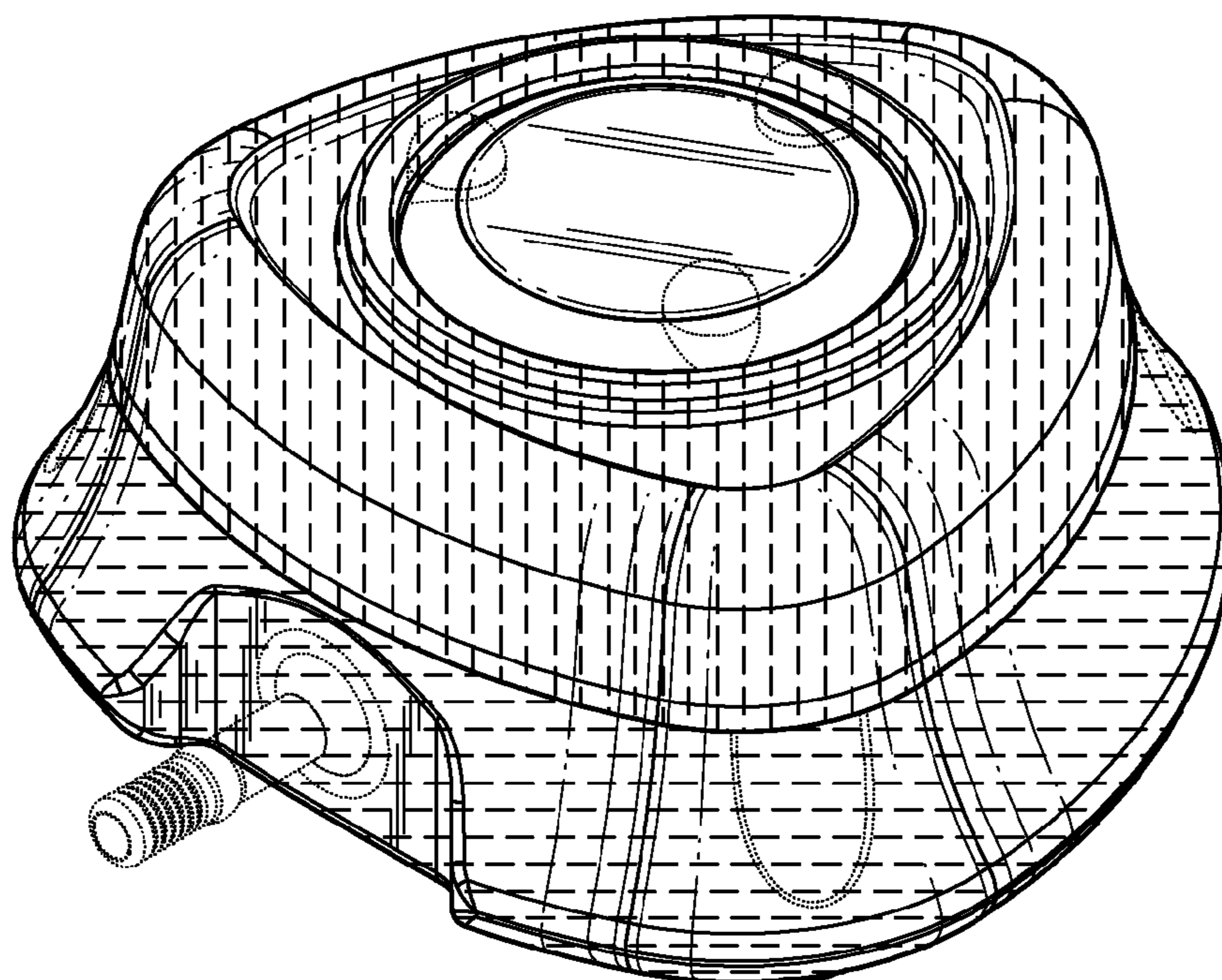


FIG. 7

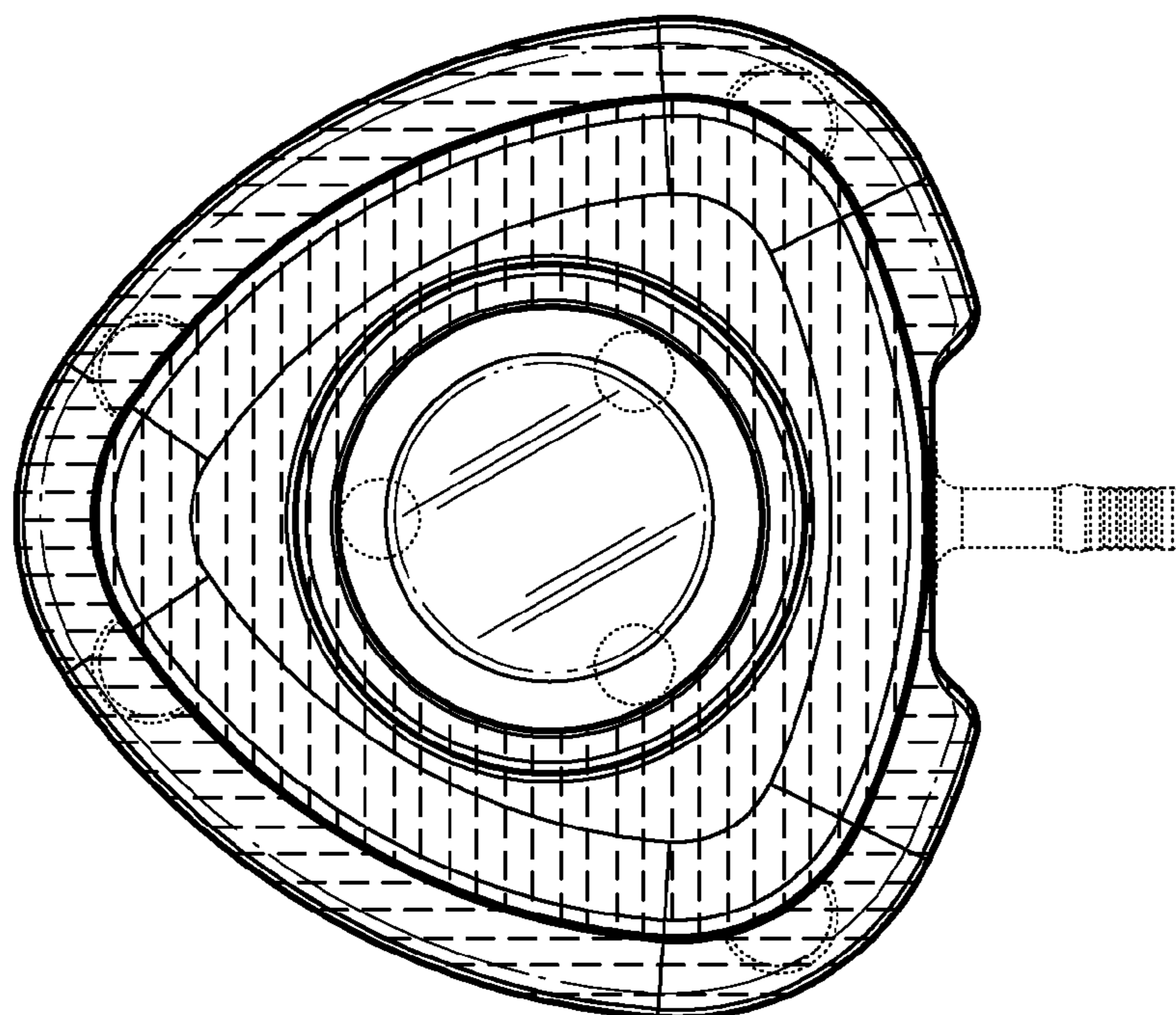


FIG. 8

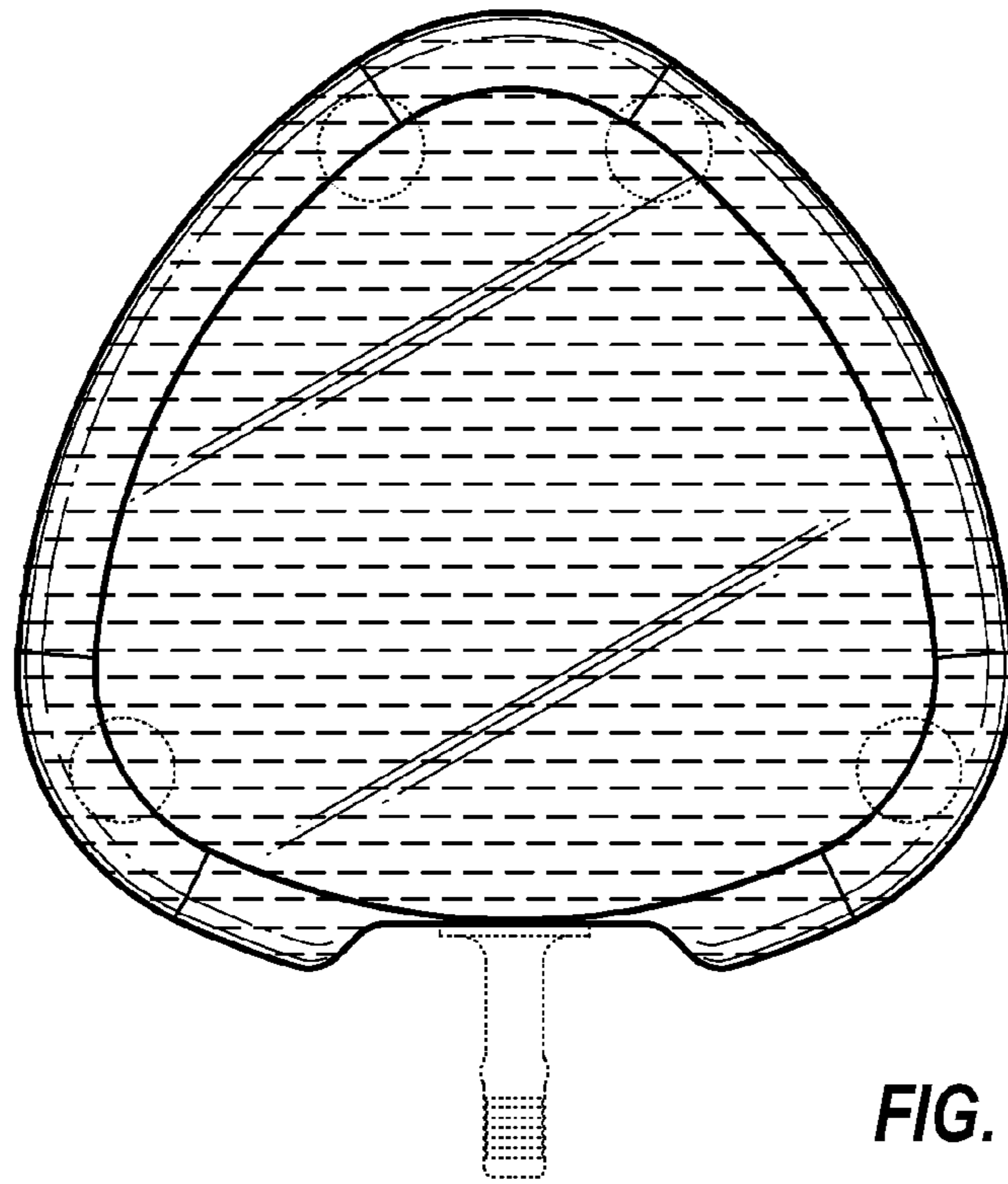


FIG. 9

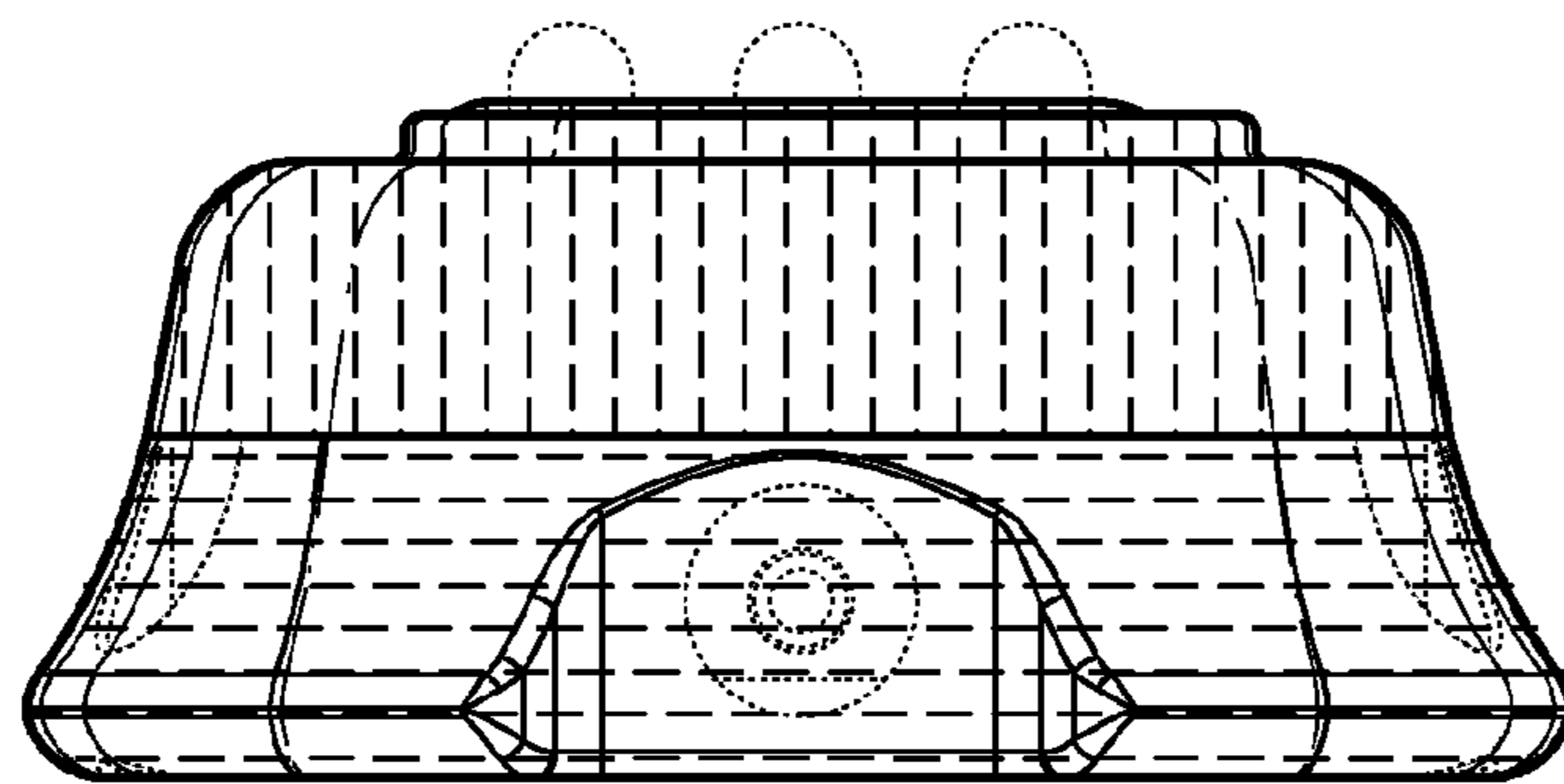


FIG. 10

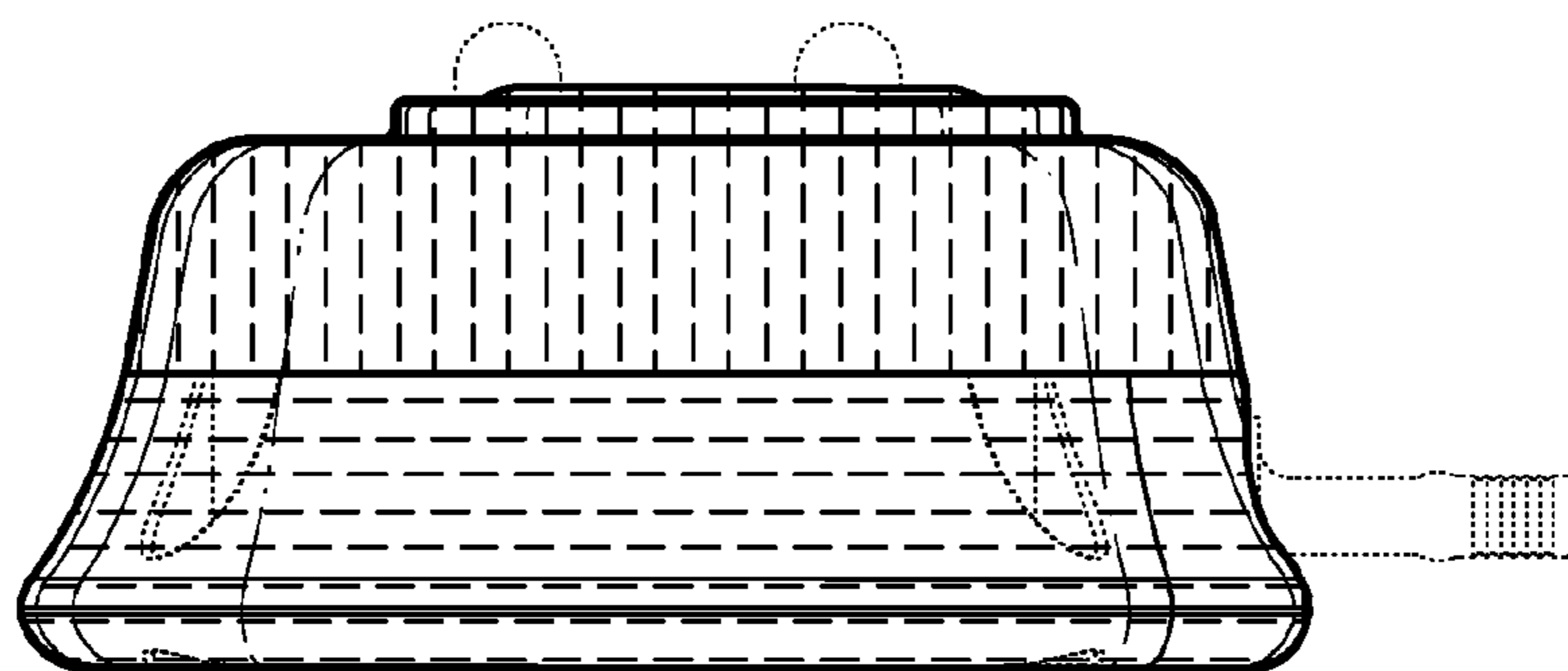


FIG. 11

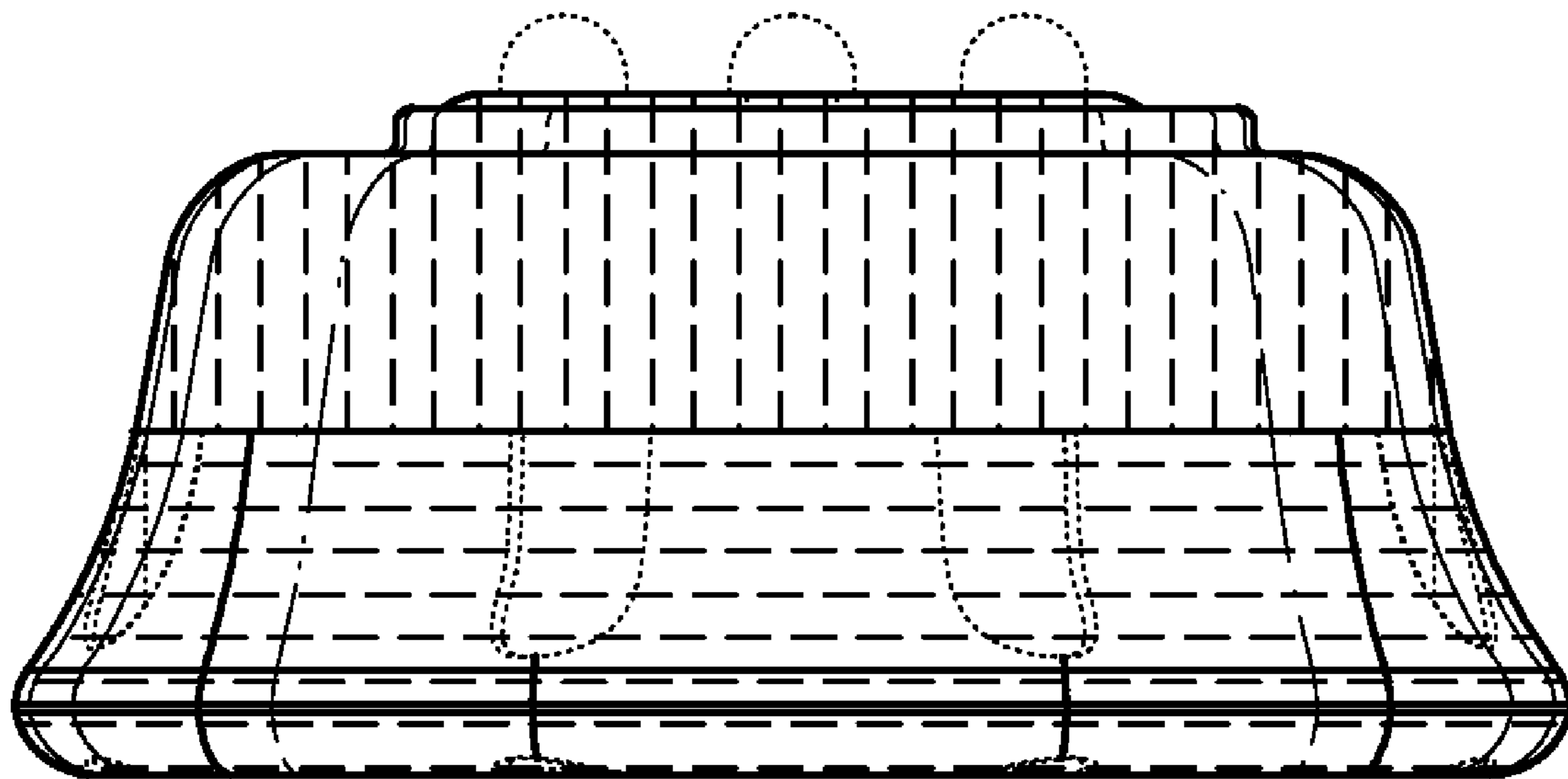


FIG. 12

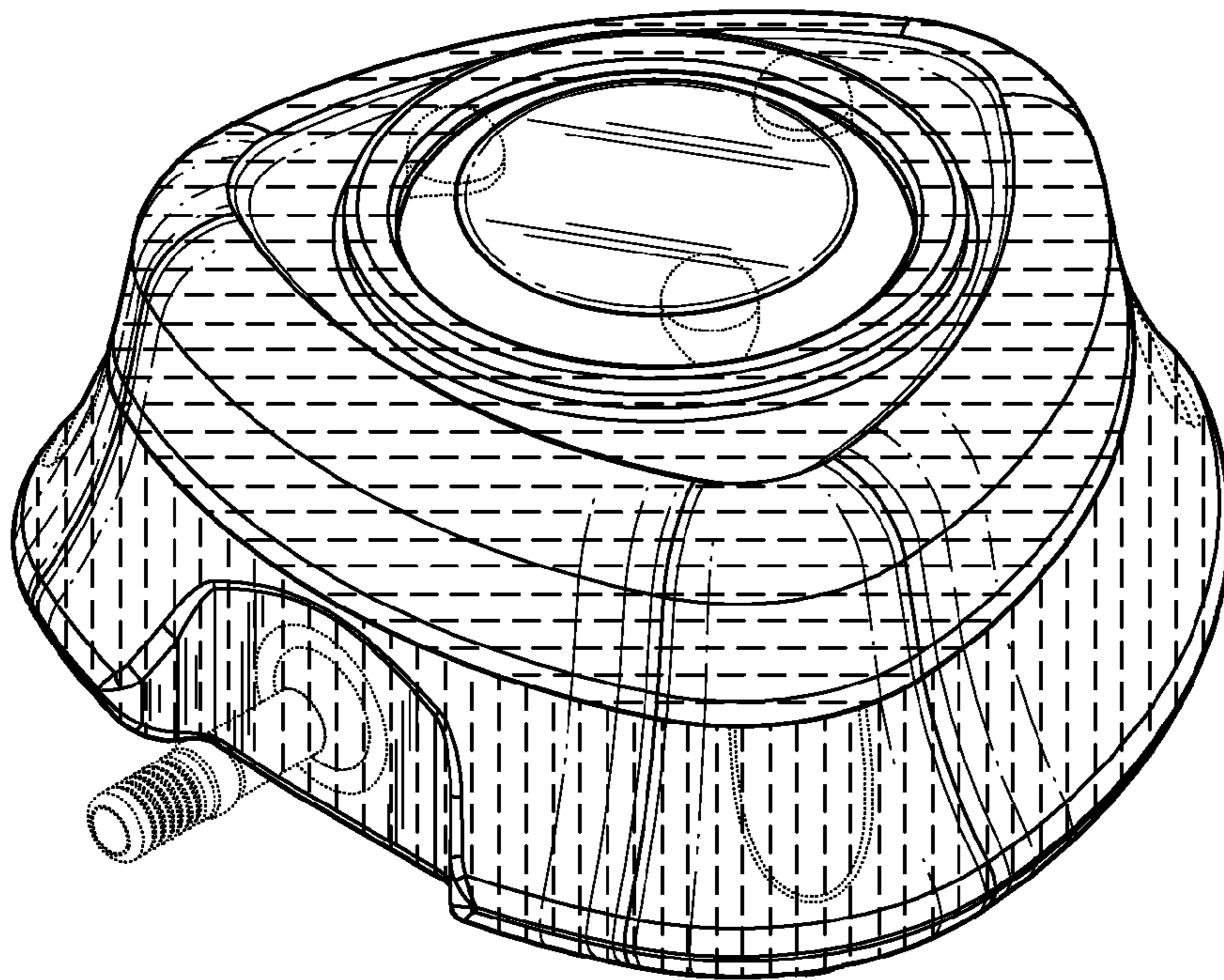


FIG. 13

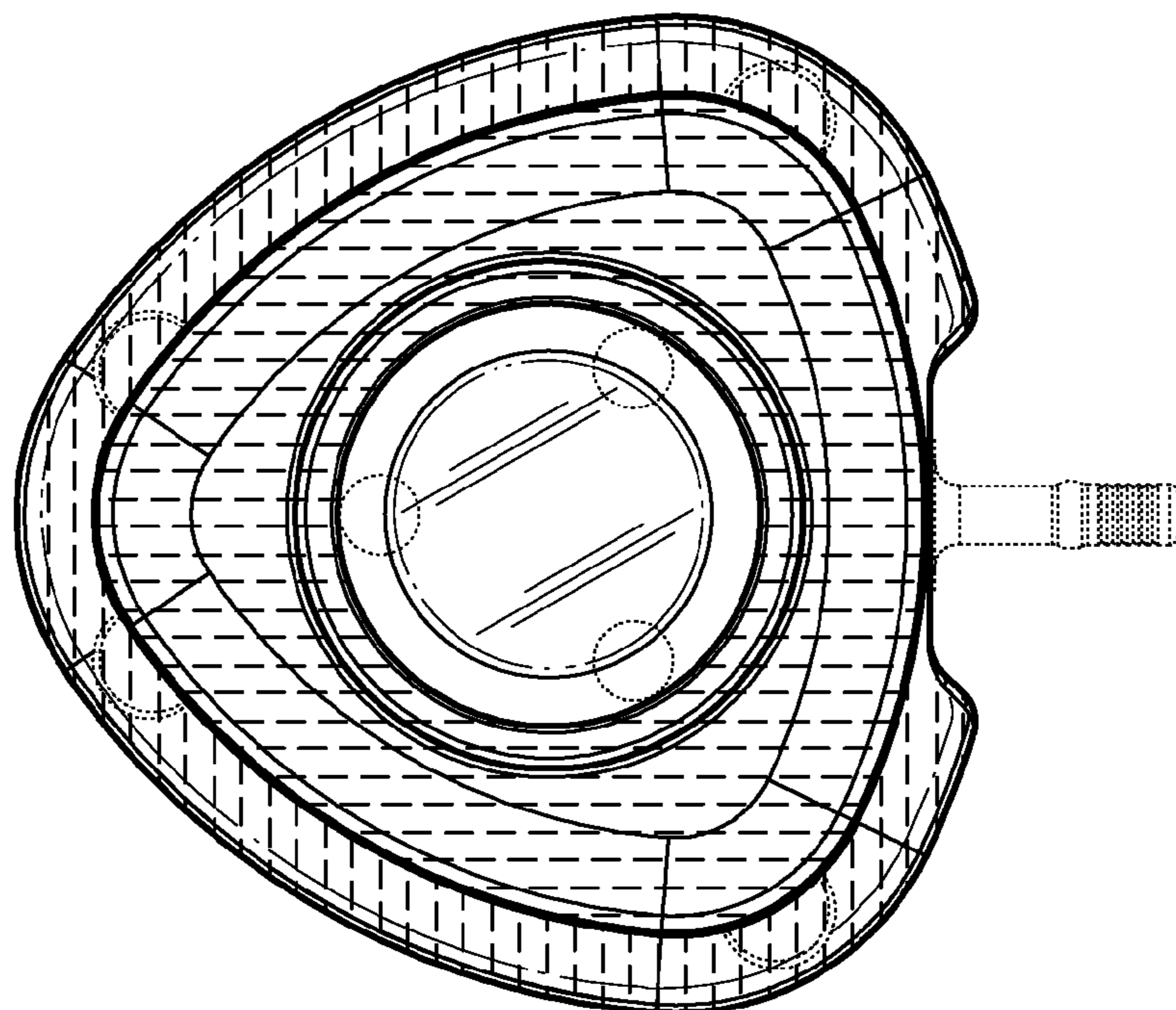


FIG. 14

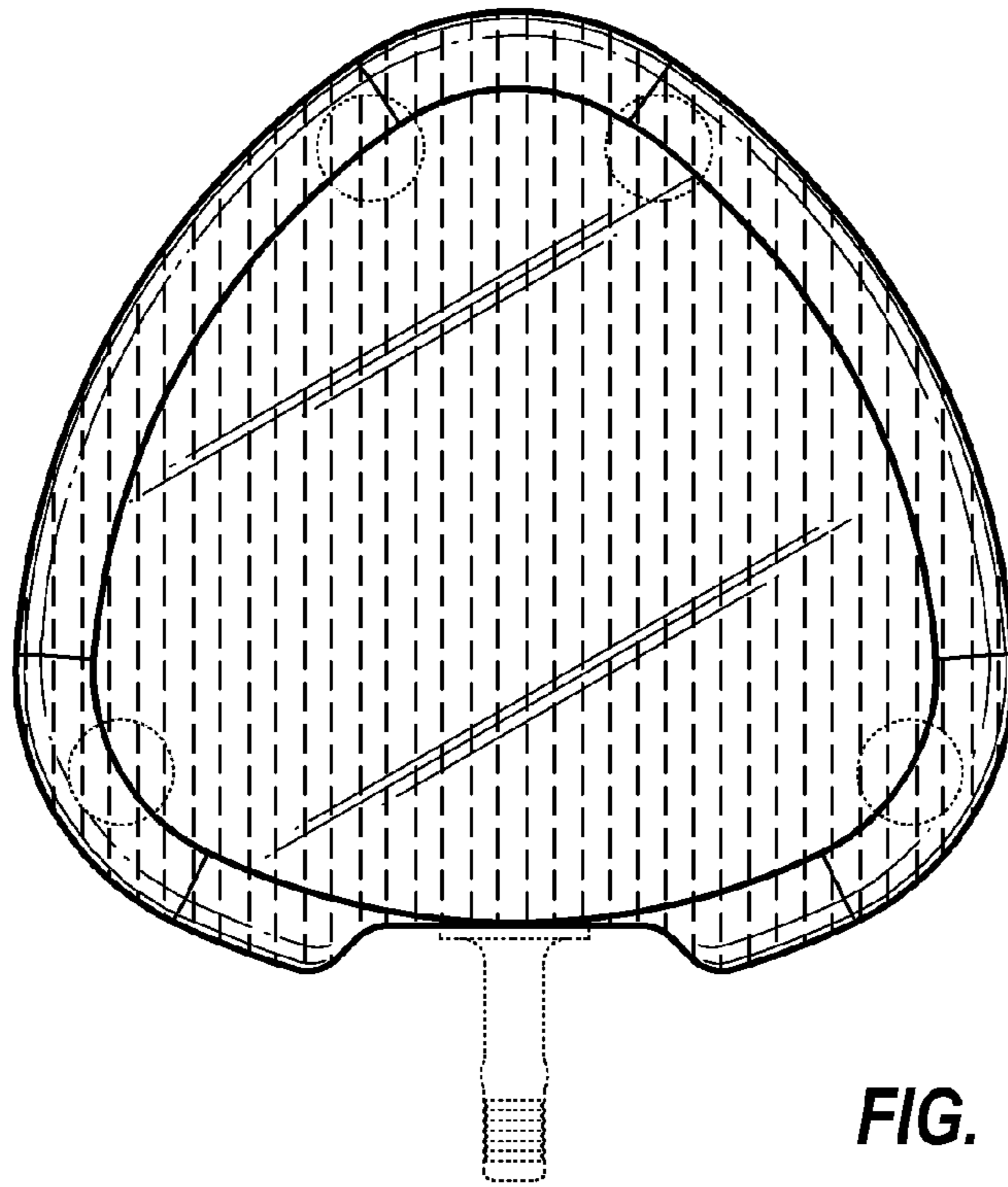


FIG. 15

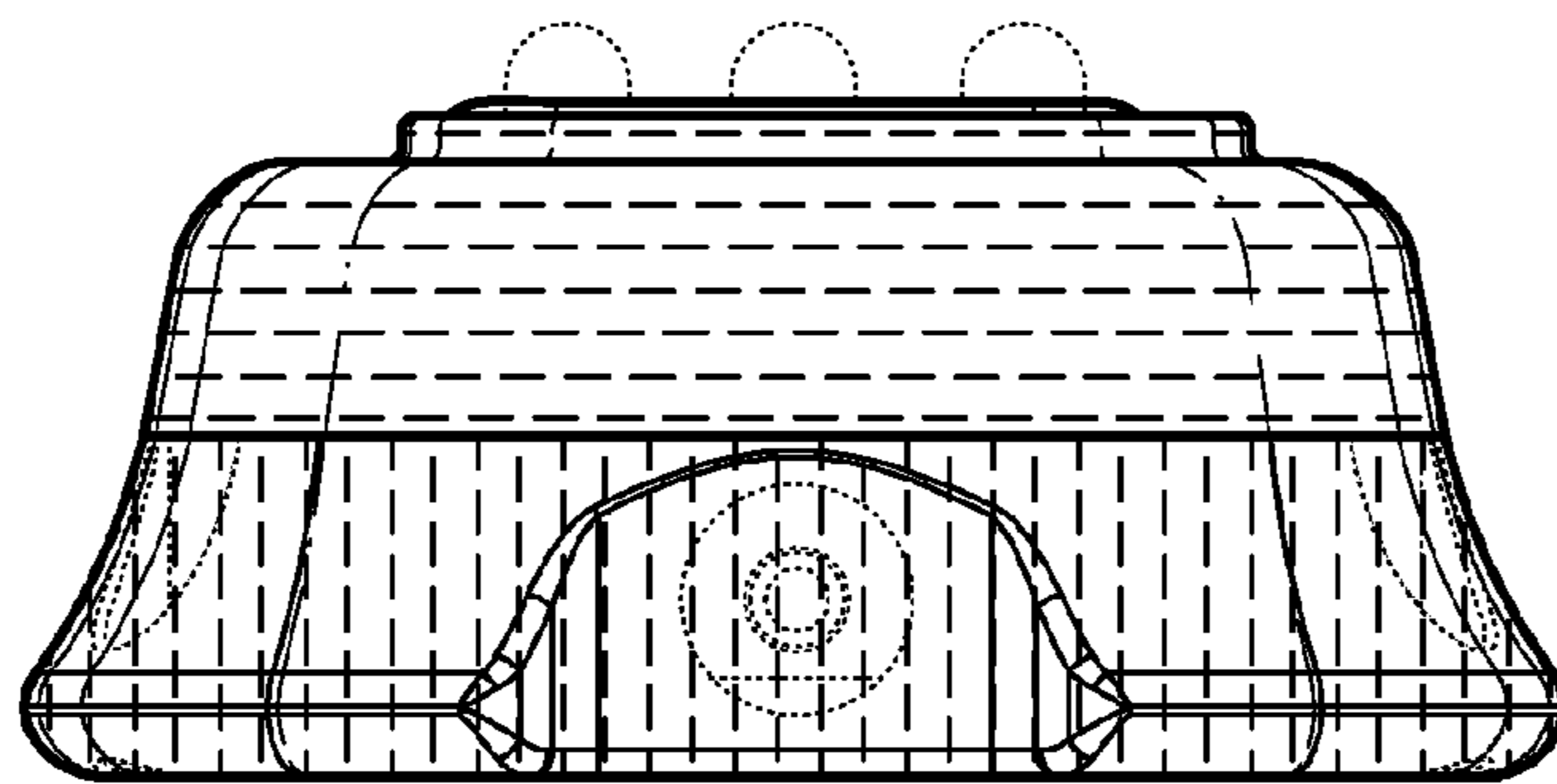


FIG. 16

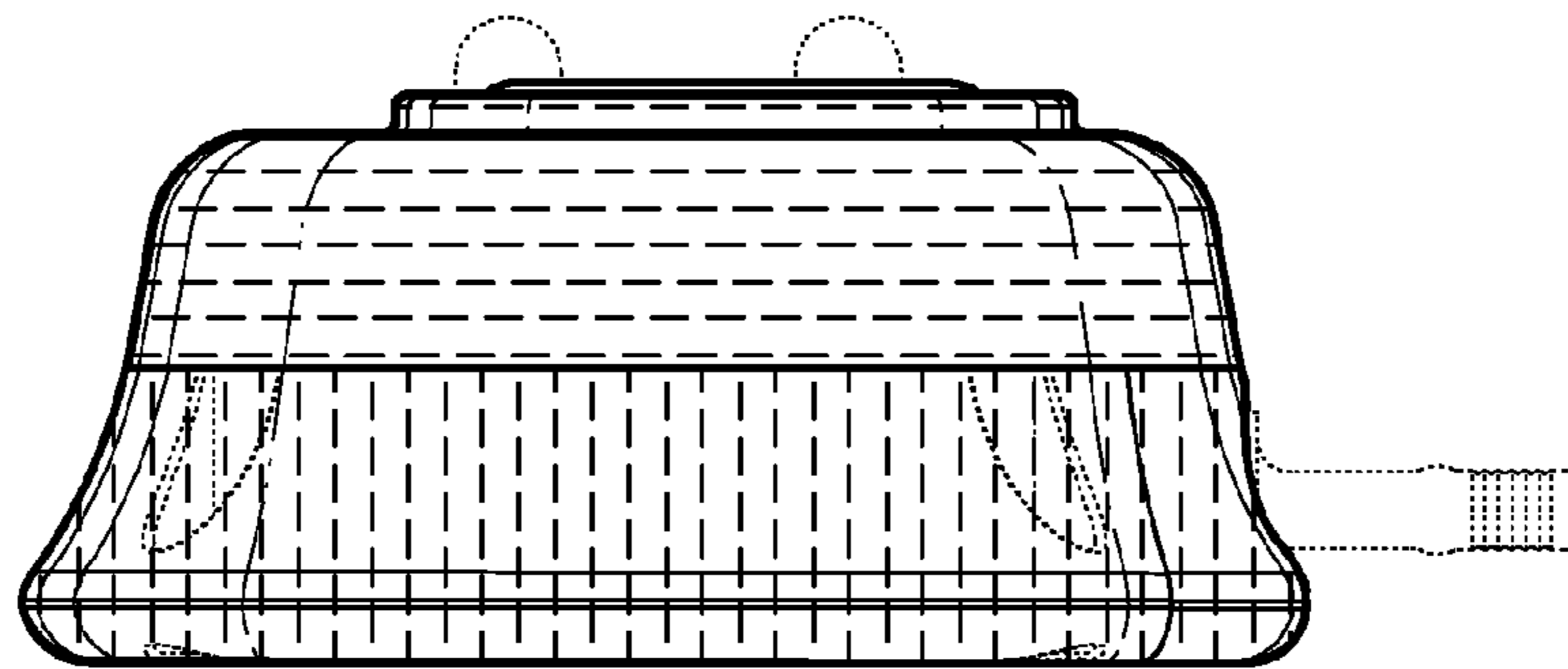


FIG. 17

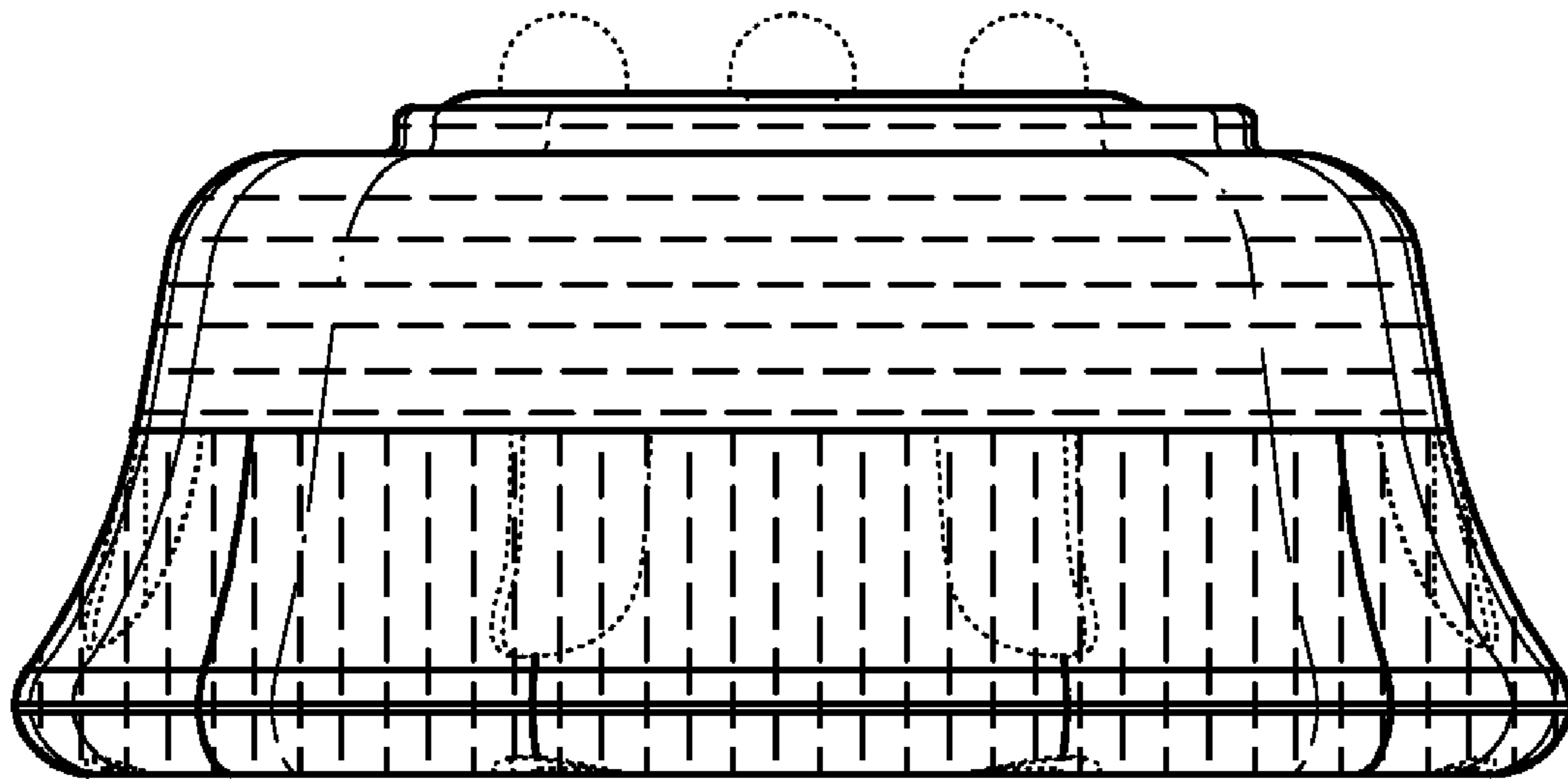


FIG. 18