



US00D556152S

(12) **United States Design Patent**
Fujita

(10) **Patent No.:** **US D556,152 S**
(45) **Date of Patent:** **** Nov. 27, 2007**

- (54) **PHOTOELECTRIC SWITCH**
- (75) Inventor: **Masahiro Fujita**, Kasugai (JP)
- (73) Assignee: **Sunx Limited**, Aichi-ken (JP)
- (**) Term: **14 Years**
- (21) Appl. No.: **29/235,691**
- (22) Filed: **Aug. 3, 2005**

(30) **Foreign Application Priority Data**

Mar. 31, 2005 (JP) 2005-009794
 Mar. 31, 2005 (JP) 2005-009795

- (51) **LOC (8) Cl.** **13-03**
- (52) **U.S. Cl.** **D13/165**
- (58) **Field of Classification Search** D13/165;
 250/214 A, 221, 222.1; 340/540, 555, 556,
 340/557, 815.4; 345/1.1, 156, 165
 See application file for complete search history.

(56) **References Cited**

U.S. PATENT DOCUMENTS

5,712,477 A * 1/1998 Delaney et al. 250/221
 6,011,467 A * 1/2000 Kamei et al. 340/540
 6,094,272 A * 7/2000 Okamoto 356/402
 6,492,650 B1 * 12/2002 Imai et al. 250/551
 6,717,523 B2 * 4/2004 Sugiyama 340/815.4
 D495,302 S 8/2004 Fujita et al.
 6,803,556 B2 * 10/2004 Sugiyama 250/214 A
 6,838,656 B2 * 1/2005 Okamoto 250/221
 6,894,662 B2 * 5/2005 Fukumura 345/1.1
 2005/0082465 A1 * 4/2005 Yamaguchi et al. 250/221
 2005/0094920 A1 * 5/2005 Kamei et al. 385/12
 2005/0231360 A1 * 10/2005 Fujimori et al. 340/539.23

FOREIGN PATENT DOCUMENTS

JP 1040207 6/1999
 JP 1040207-1 6/1999
 JP 1040207-2 6/1999
 JP 1040207-3 6/1999

JP 1075741 6/2000
 JP 1075741-1 9/2000
 JP 1096330 1/2001
 JP 1096332 1/2001
 JP 1130469 1/2002
 JP 1178462 7/2003
 JP 1179082 7/2003
 JP 1179083 7/2003
 JP 1179084 7/2003
 JP 1179085 7/2003

* cited by examiner

Primary Examiner—Selina Sikder

(74) *Attorney, Agent, or Firm*—Sheridan Ross P.C.

(57) **CLAIM**

The ornamental design for a photoelectric switch, as shown and described.

DESCRIPTION

FIG. 1 is a perspective view of a photoelectric switch showing my new design;
 FIG. 2 is a front view thereof, the rear view being a mirror image of FIG. 2;
 FIG. 3 is a top plan view thereof;
 FIG. 4 is a bottom plan view thereof;
 FIG. 5 is a right side elevational view thereof;
 FIG. 6 is a left side elevational view thereof; and
 FIG. 7 is a perspective view with the cover in the open position.
 FIG. 8 is a perspective view of a photoelectric switch according to a second embodiment of the present design;
 FIG. 9 is a front view thereof, the rear view being a mirror image of FIG. 9;
 FIG. 10 is a top plan view thereof;
 FIG. 11 is a bottom plan view thereof;
 FIG. 12 is a right side elevational view thereof;
 FIG. 13 is a left side elevational view thereof; and,
 FIG. 14 is a perspective view with the cover in the open position.

1 Claim, 6 Drawing Sheets

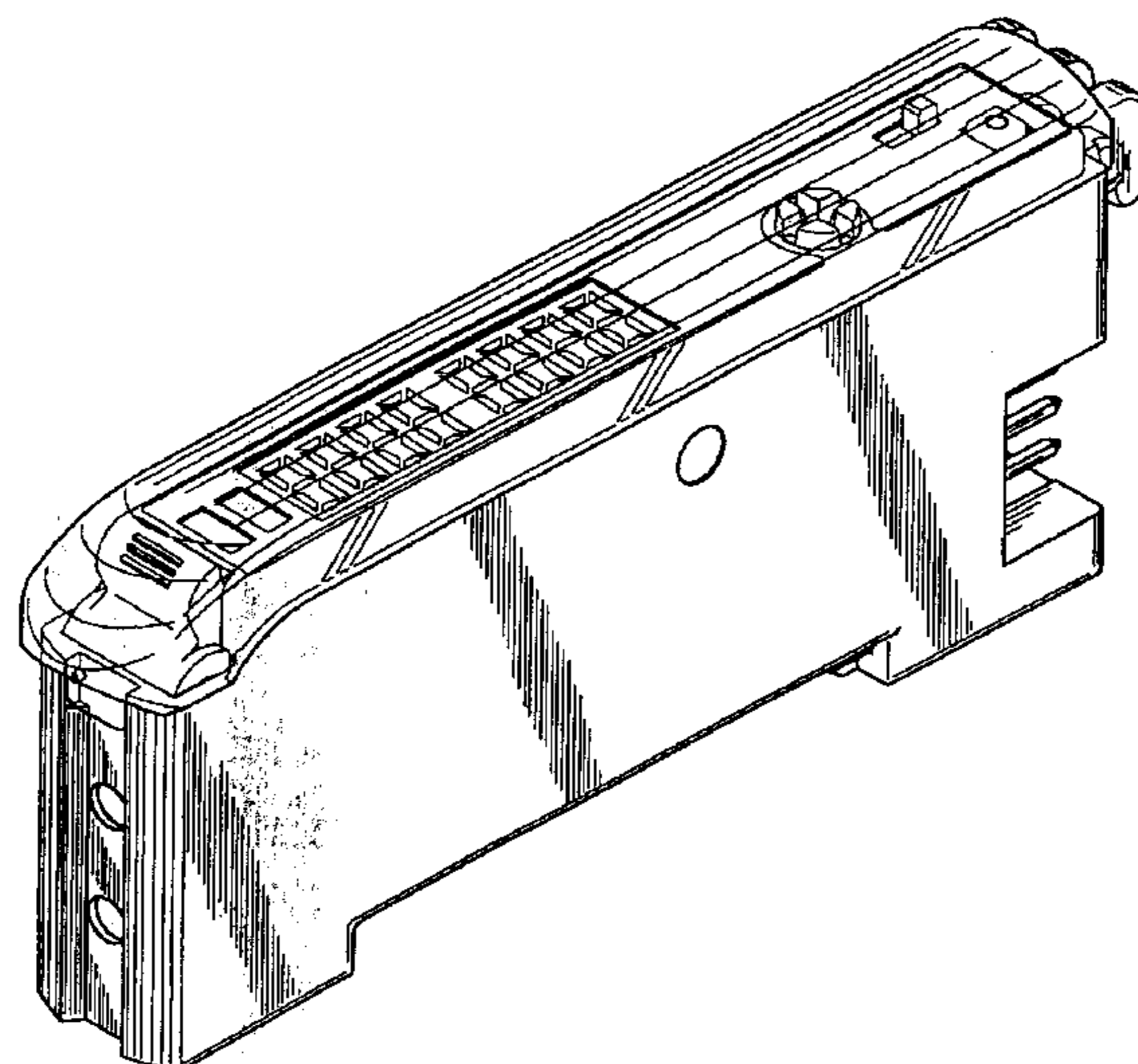


FIG. 1

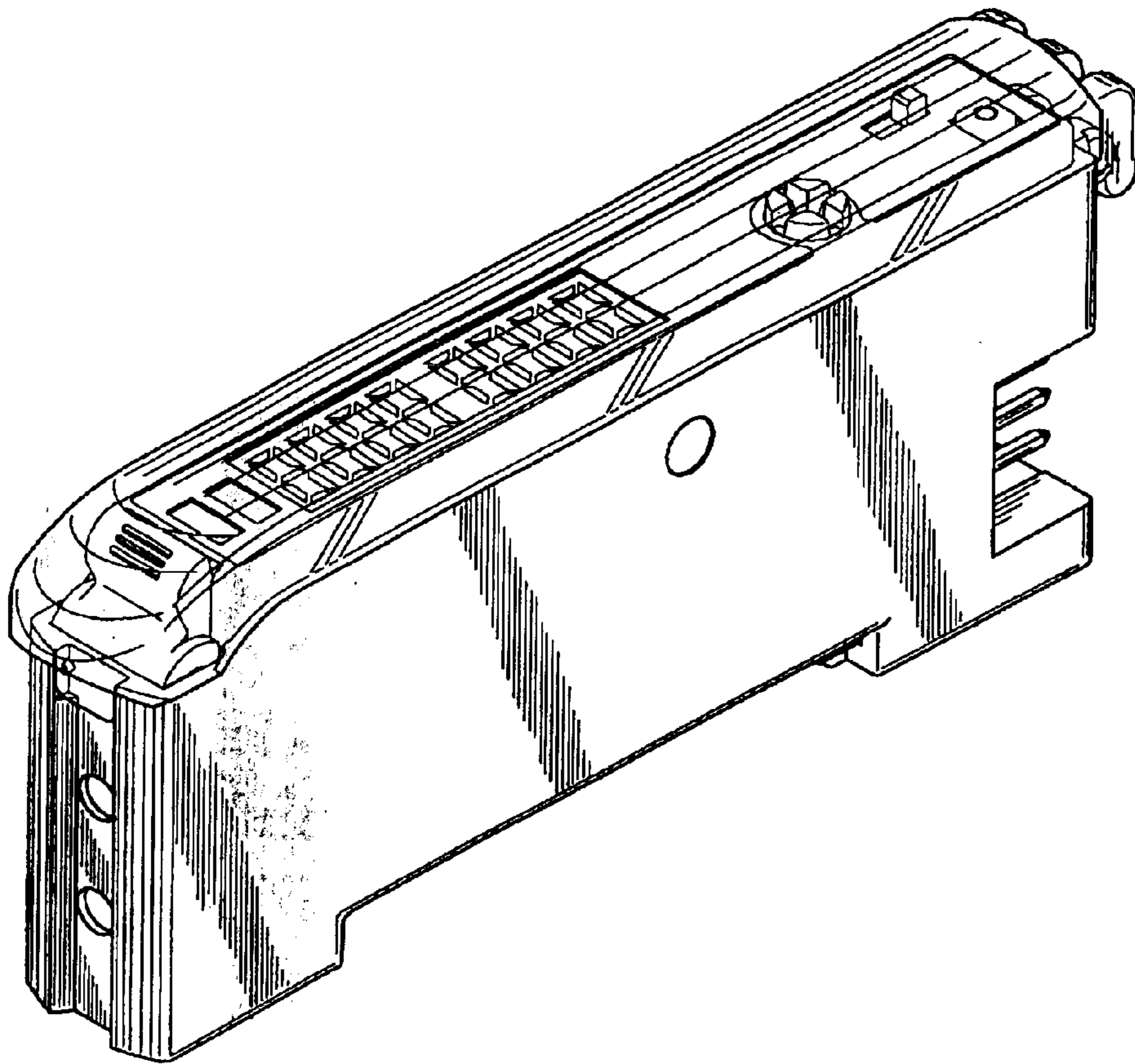


FIG. 2

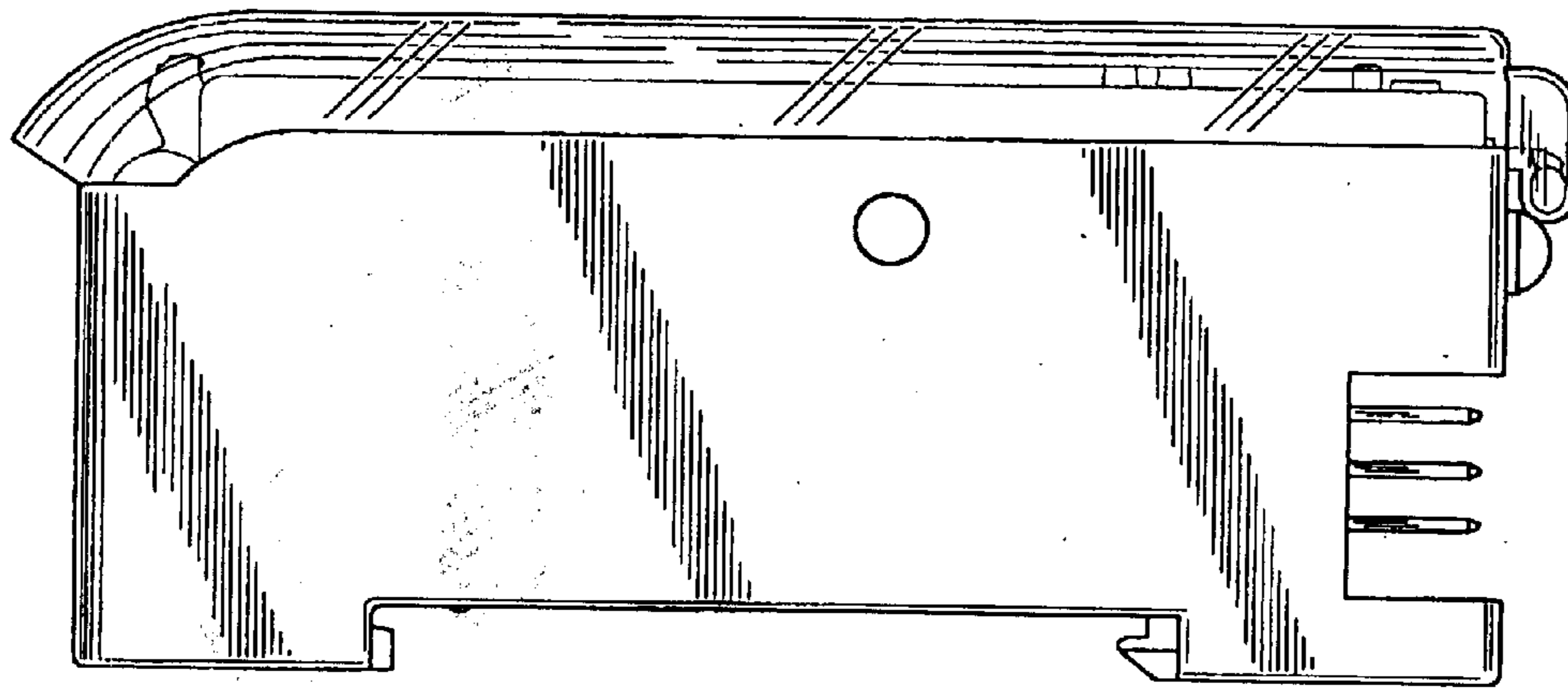


FIG. 3

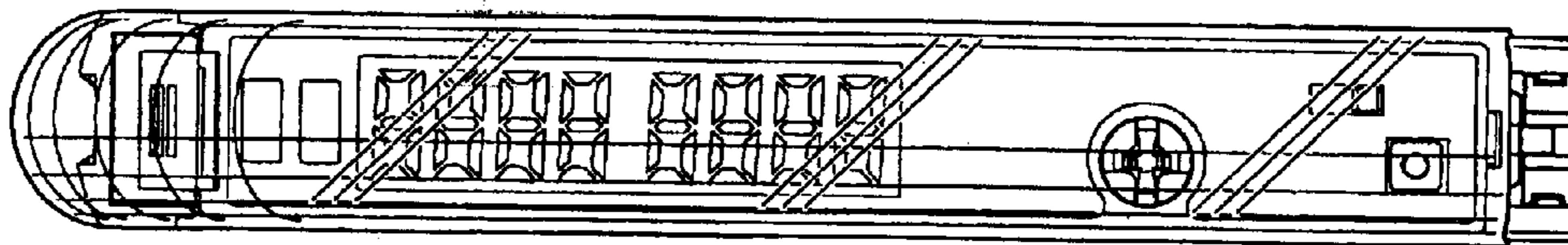


FIG. 4

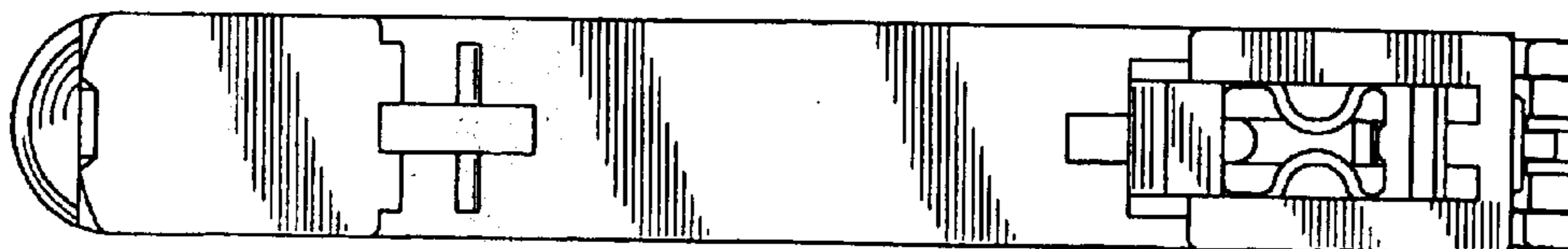


FIG. 5

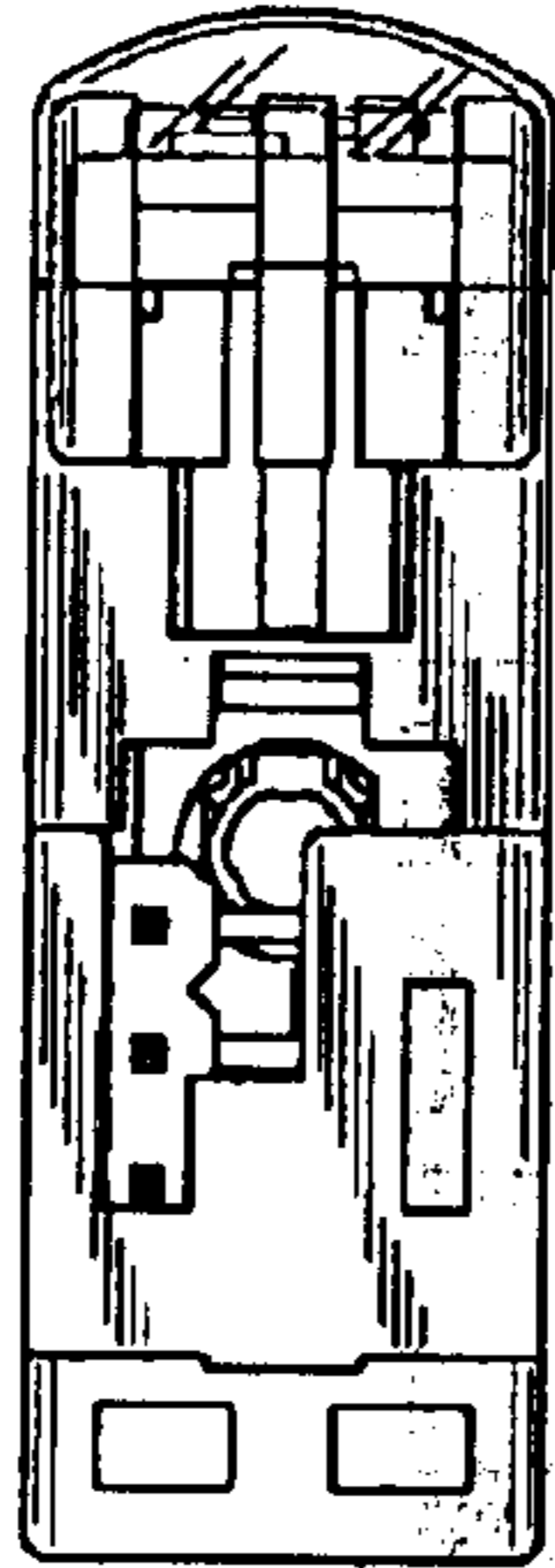


FIG. 6

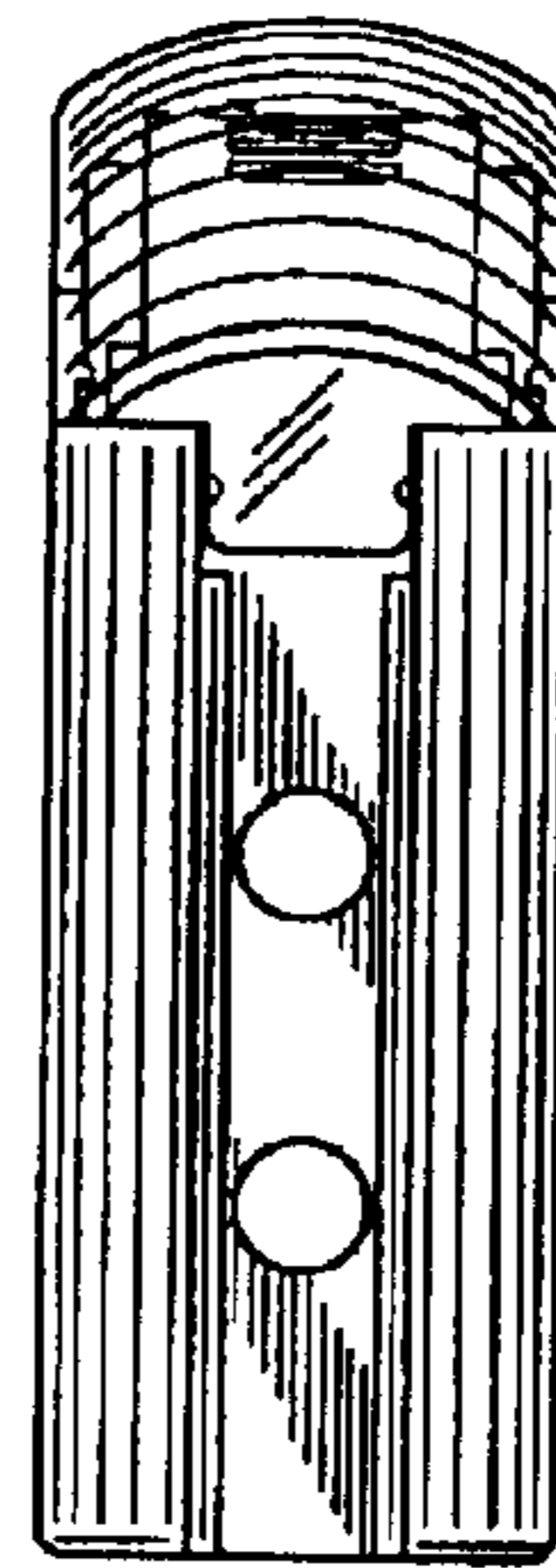


FIG. 7

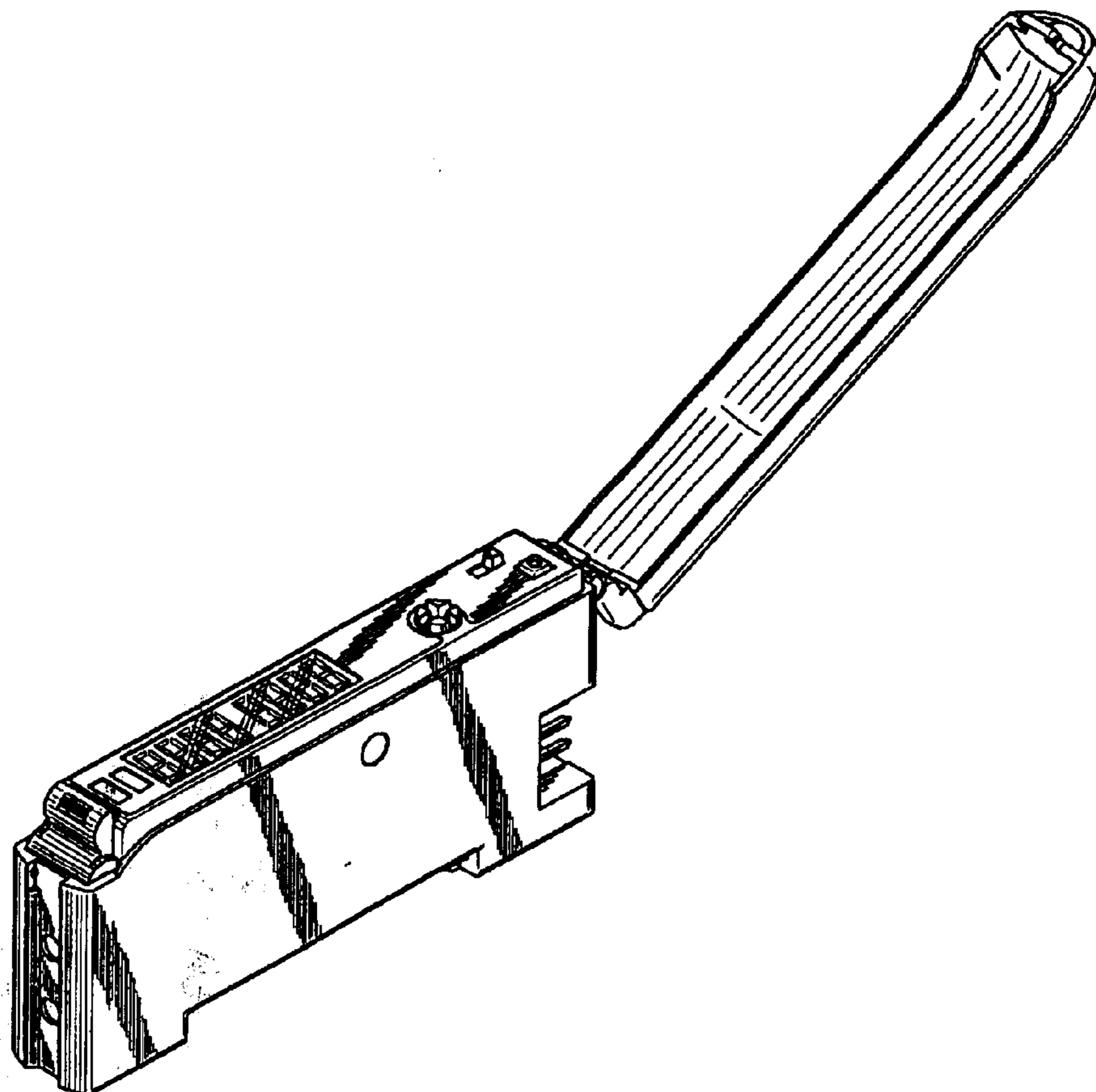


FIG. 8

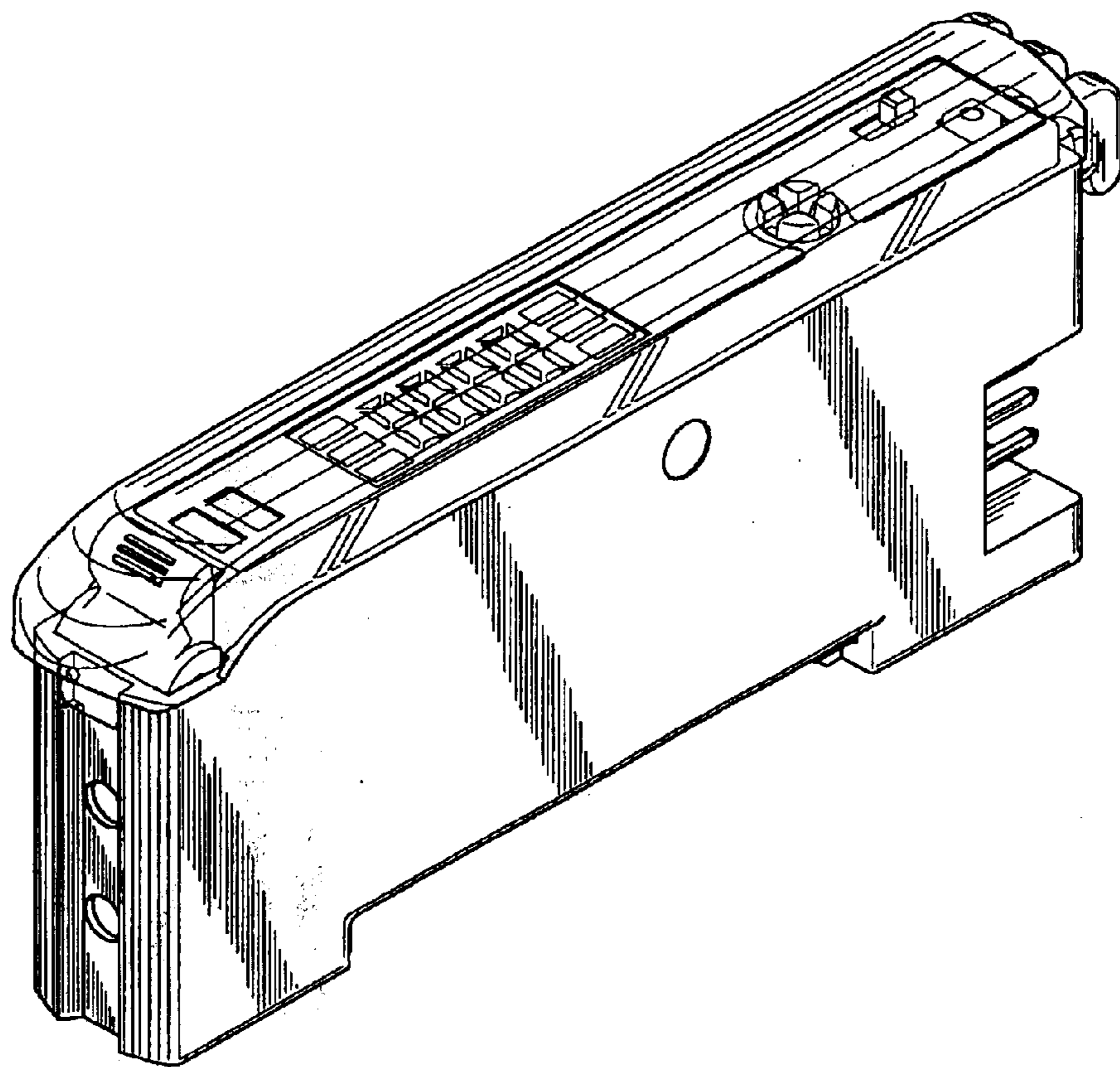


FIG. 9

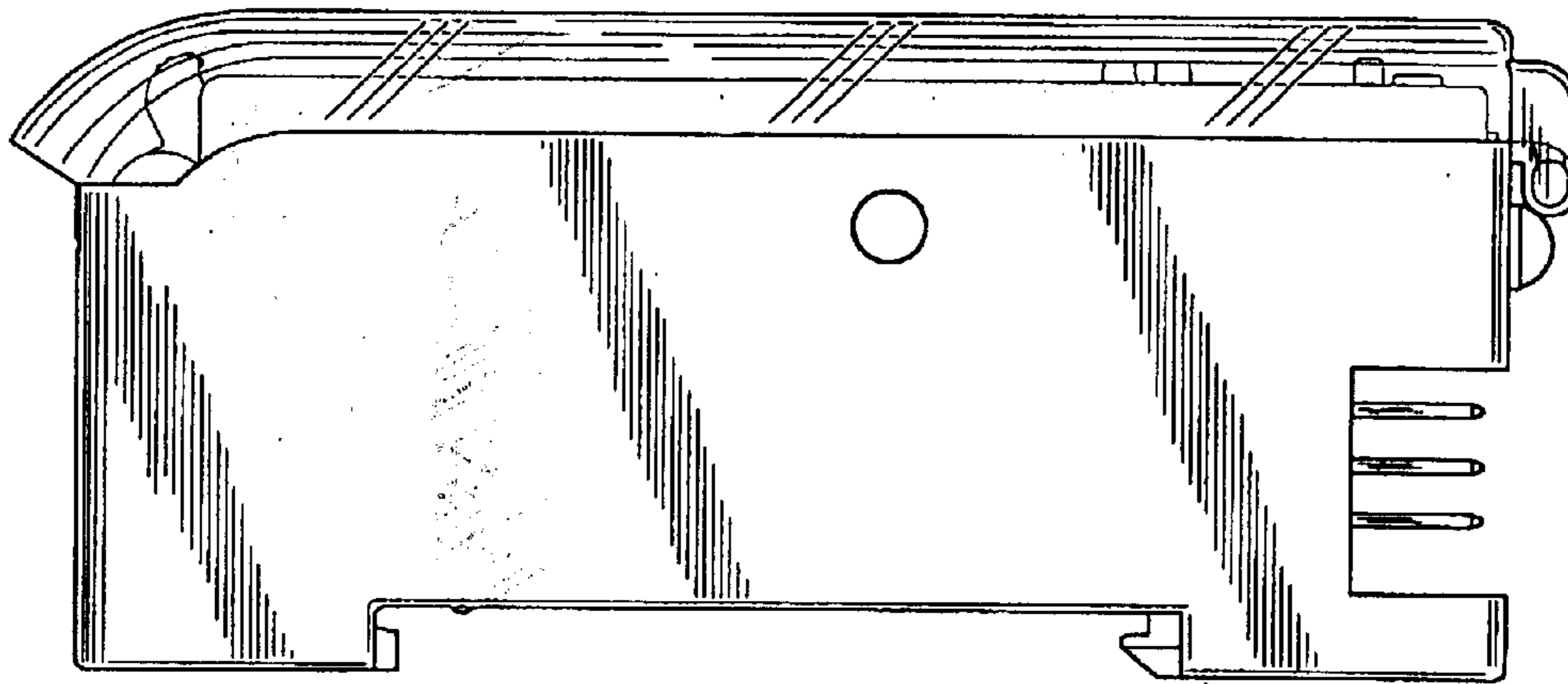


FIG. 10

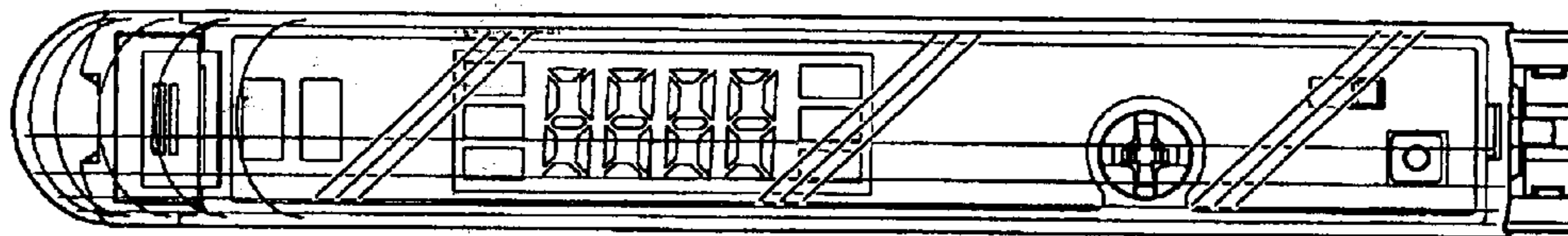


FIG. 11

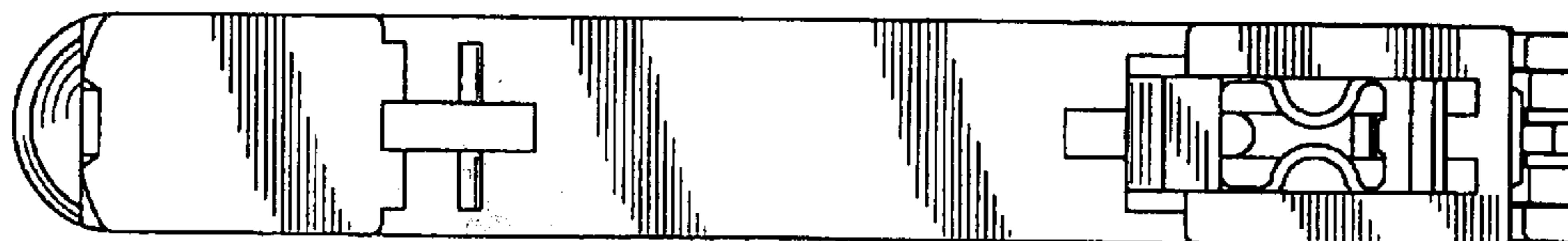


FIG. 12

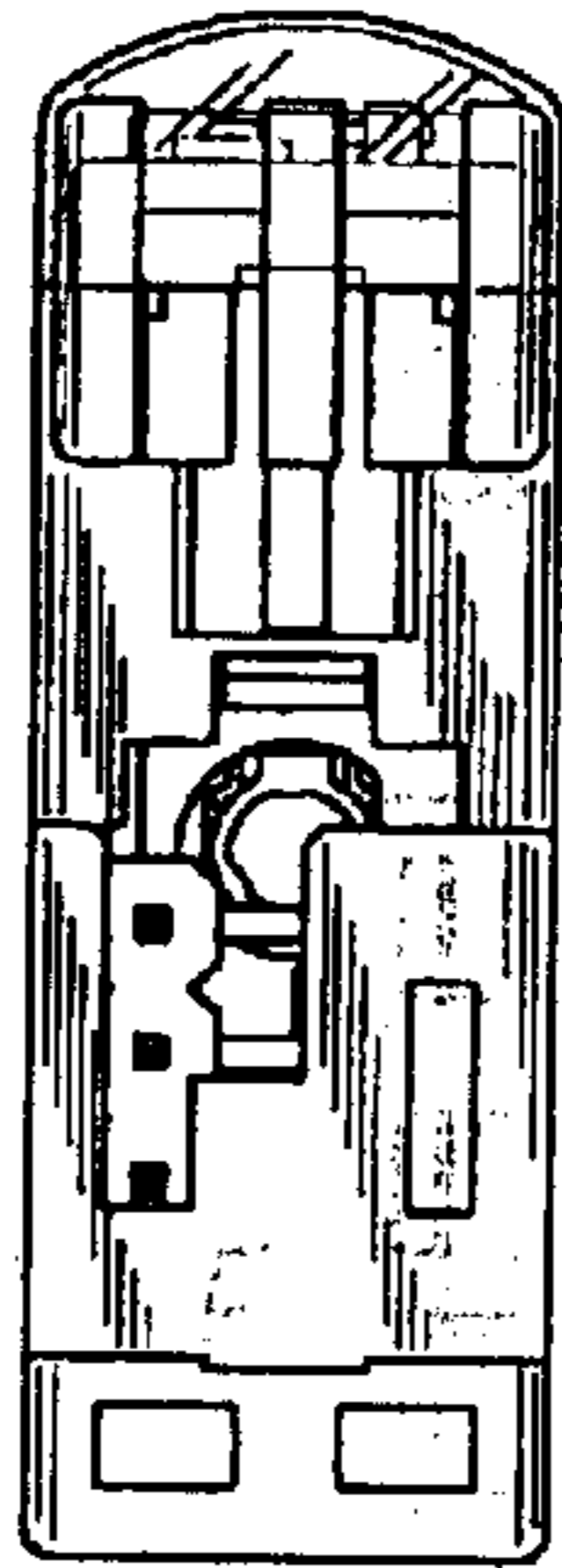


FIG. 13

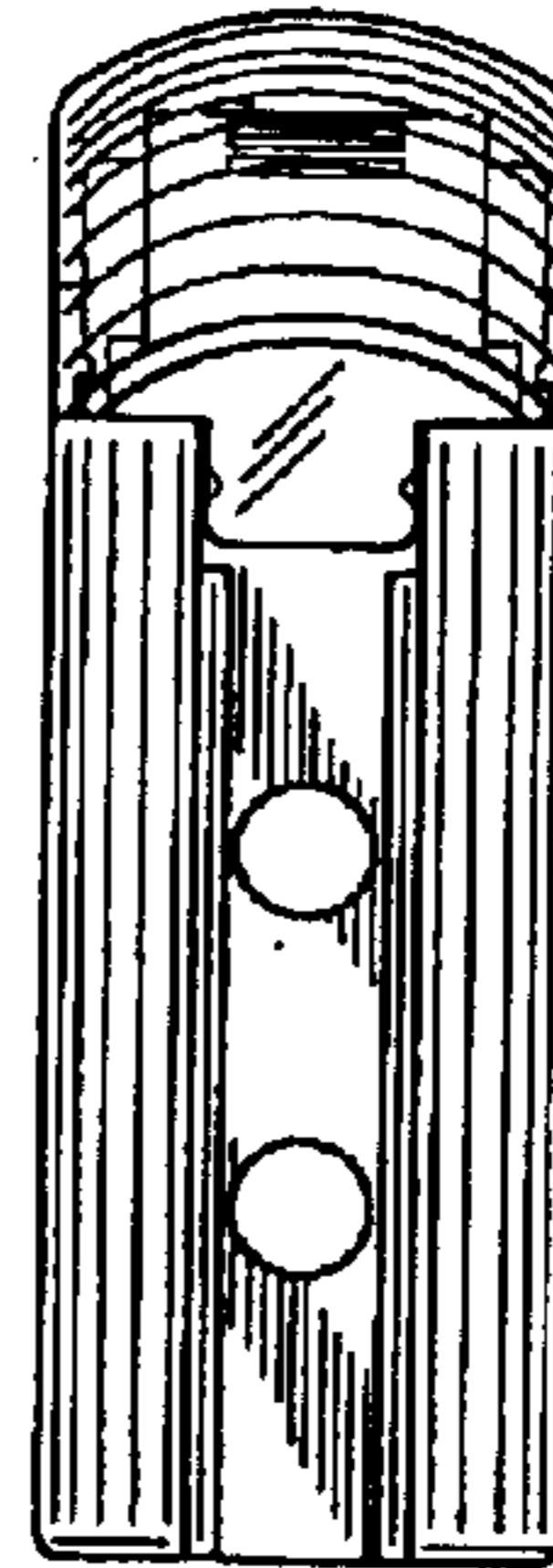


FIG. 14

