



US00D556150S

(12) **United States Design Patent**
Roman

(10) **Patent No.:** **US D556,150 S**

(45) **Date of Patent:** **** Nov. 27, 2007**

(54) **CONTROL UNIT FOR WATERING DEVICES**

(75) Inventor: **Gianfranco Roman**, Pasiano (IT)

(73) Assignee: **Claber SpA**, Fiume Veneto PN (IT)

(**) Term: **14 Years**

(21) Appl. No.: **29/257,777**

(22) Filed: **Apr. 11, 2006**

(30) **Foreign Application Priority Data**

Oct. 14, 2005 (EM) 000418041

(51) **LOC (8) Cl.** **13-03**

(52) **U.S. Cl.** **D13/164; D13/162**

(58) **Field of Classification Search** D10/103,
D10/49; D13/158, 162, 164, 184; 174/50;
200/5 R, 5 A, 16 A, 242, 243, 35 R, 408,
200/522, 6 R, 61.04, 61.62; 239/64, 201,
239/272, 70, 548, 7, 63, 69; 335/132; 324/664,
324/696

See application file for complete search history.

(56) **References Cited**

U.S. PATENT DOCUMENTS

D209,055 S * 10/1967 Deal et al. D13/158

5,060,859 A * 10/1991 Bancroft 239/64
5,347,250 A * 9/1994 Muske 335/132
D384,645 S * 10/1997 Kopser D13/164
6,483,049 B1 * 11/2002 Mohtasham 200/5 R
D517,020 S * 3/2006 Cook et al. D13/162
D519,087 S * 4/2006 Hahn et al. D13/184
2004/0177983 A1 * 9/2004 Gianfranco 174/50

* cited by examiner

Primary Examiner—Selina Sikder

Assistant Examiner—Thomas J Johannes

(74) *Attorney, Agent, or Firm*—Jacobson Holman PLLC

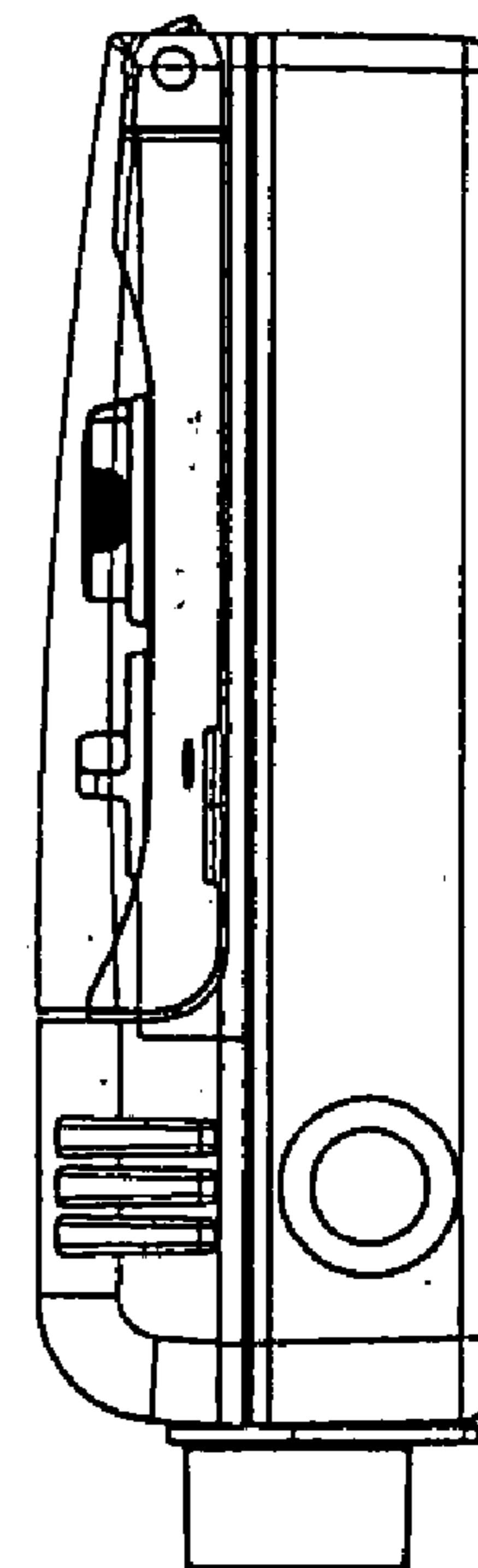
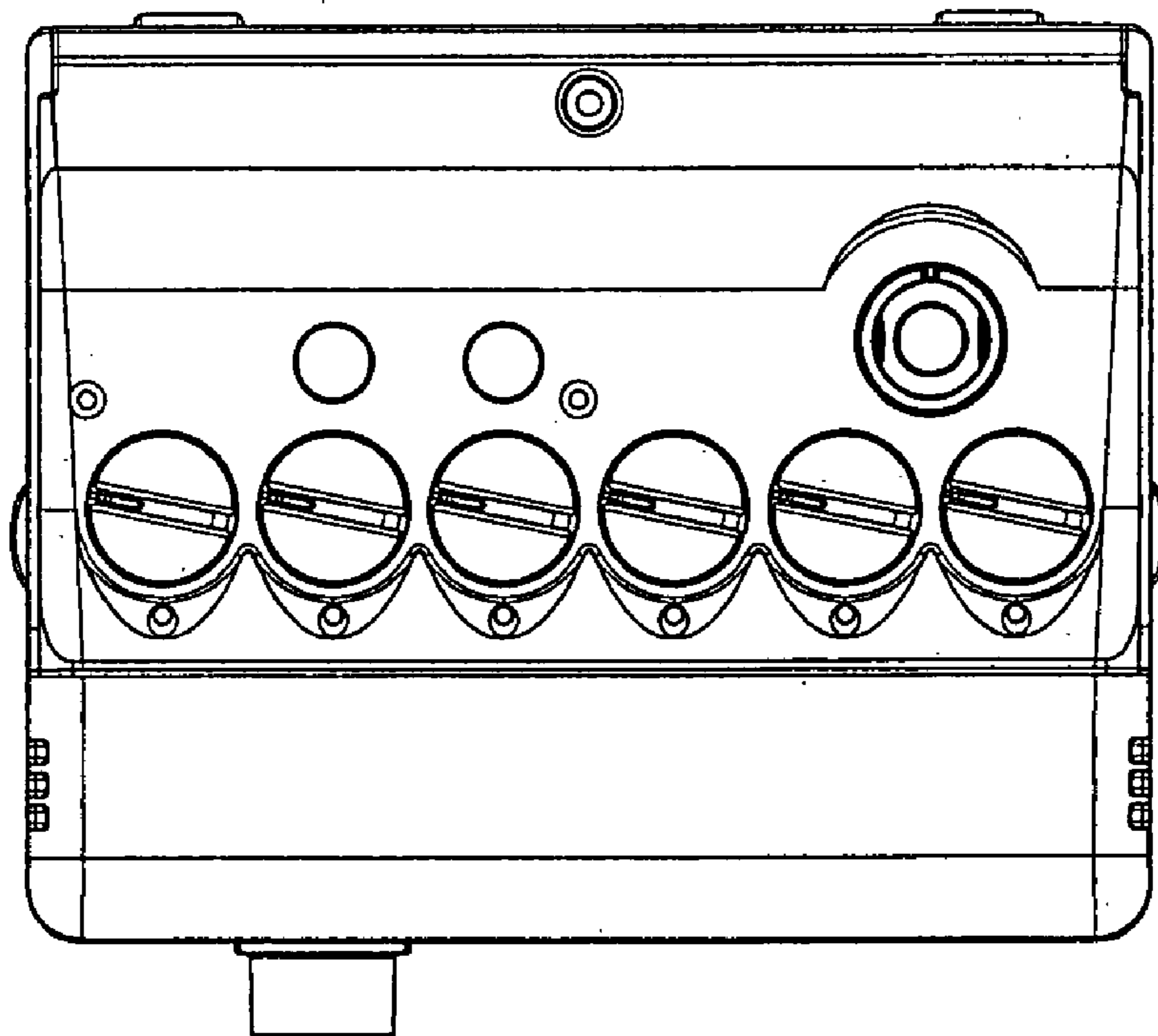
(57) **CLAIM**

I claim the ornamental design for “control unit for watering devices,” as shown and described.

DESCRIPTION

FIG. 1 shows a front view of the control unit;
FIG. 2 shows a right-hand lateral view of the control unit;
FIG. 3 shows a left-hand lateral view of the control unit;
FIG. 4 shows a bottom view of the control unit;
FIG. 5 shows a rear view of the control unit; and,
FIG. 6 shows a top view of the control unit.

1 Claim, 2 Drawing Sheets



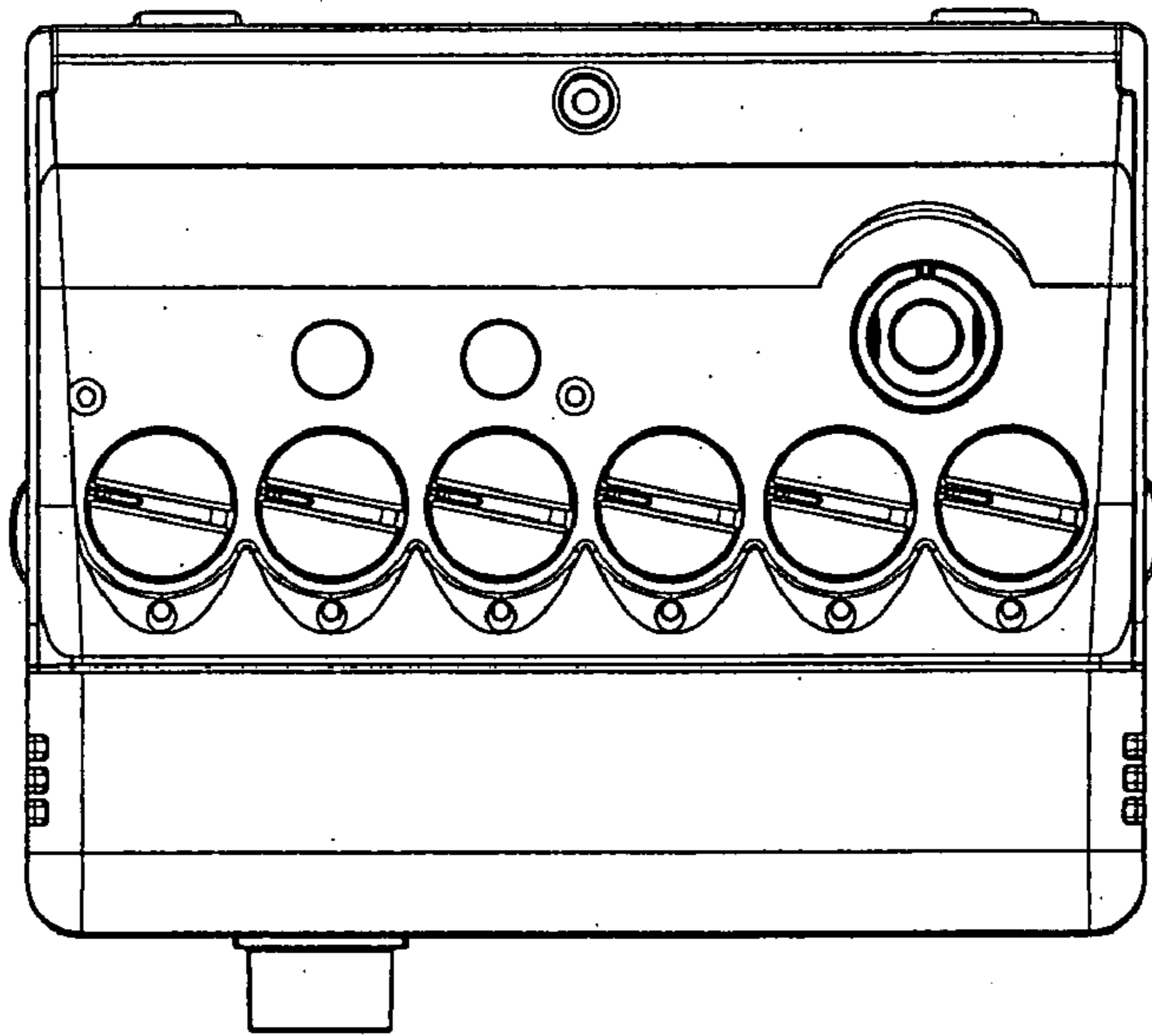


FIG. 1

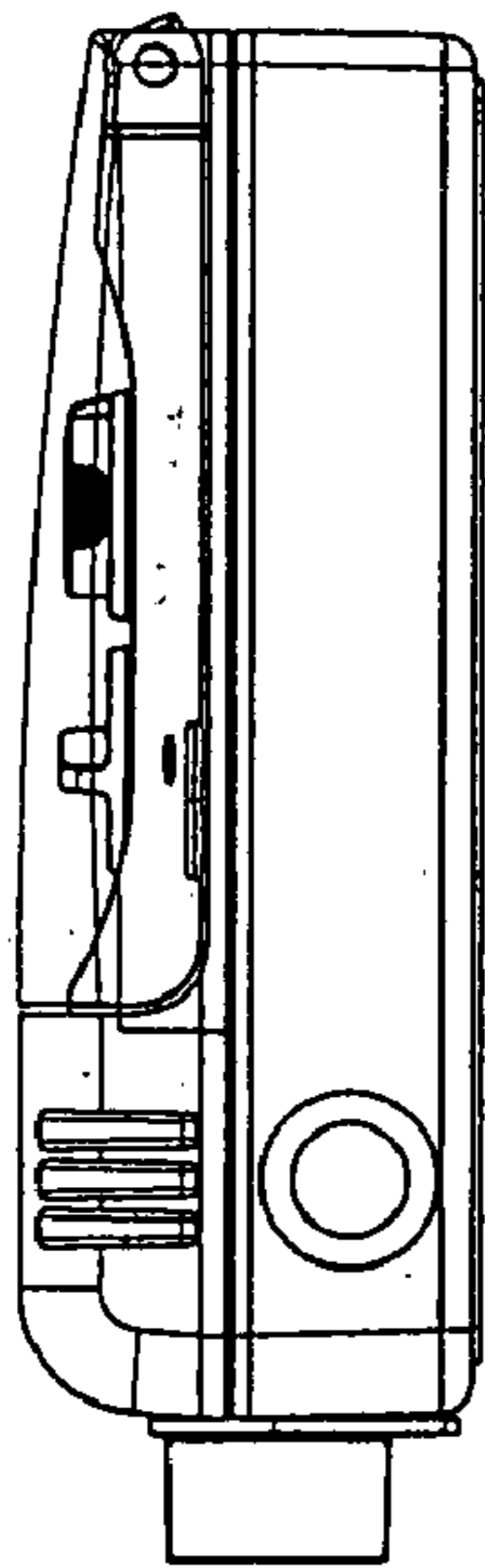


FIG. 2

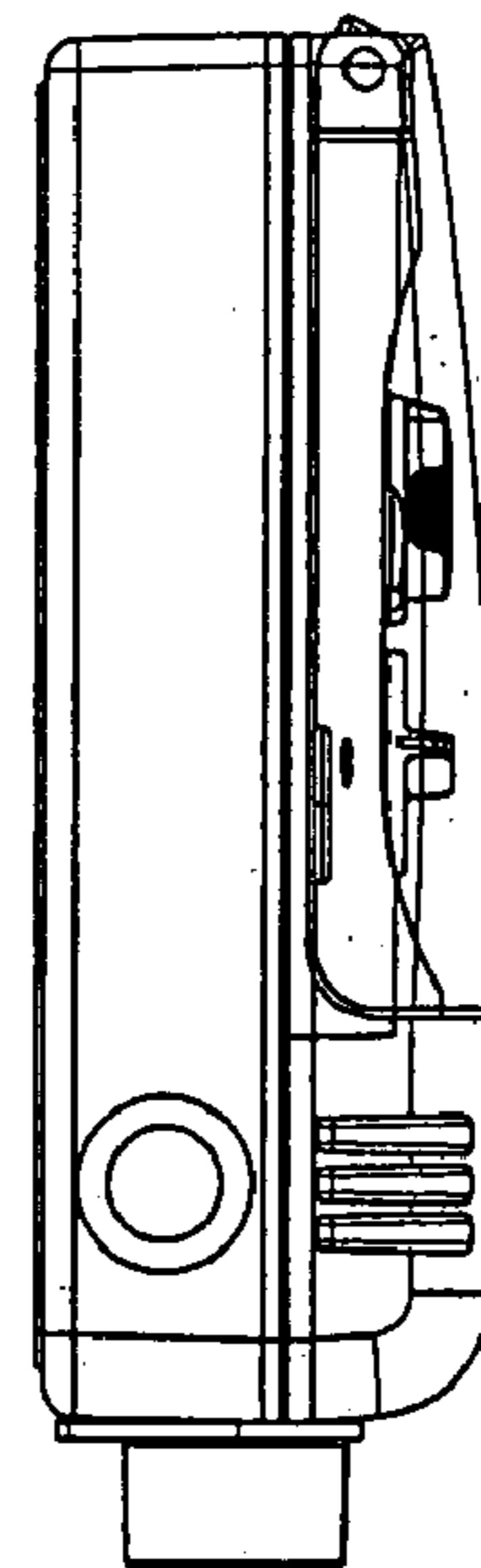


FIG. 3

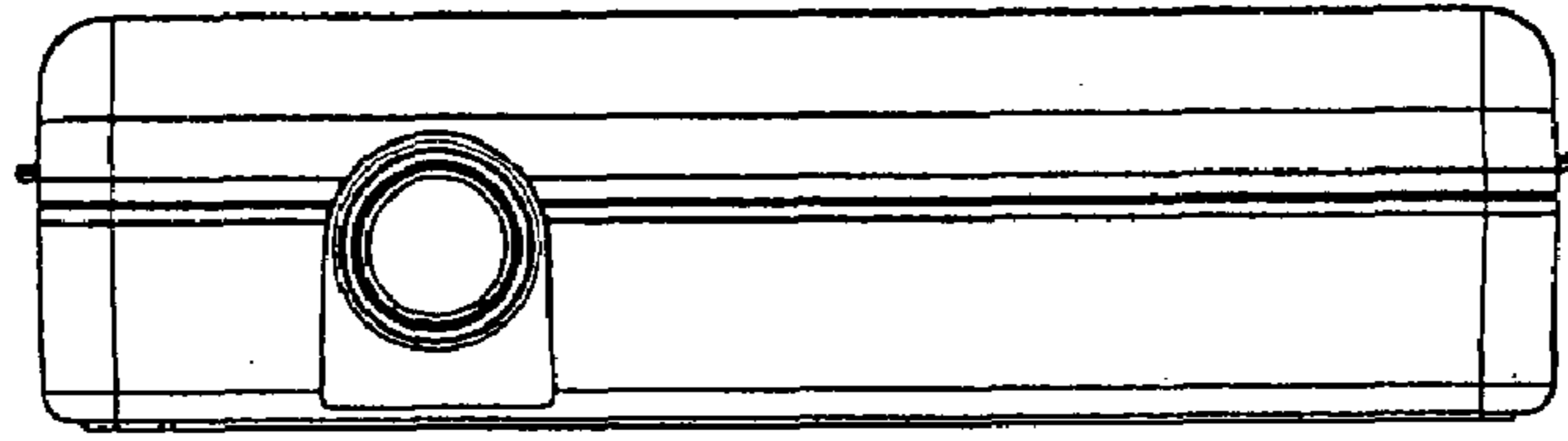


FIG. 4

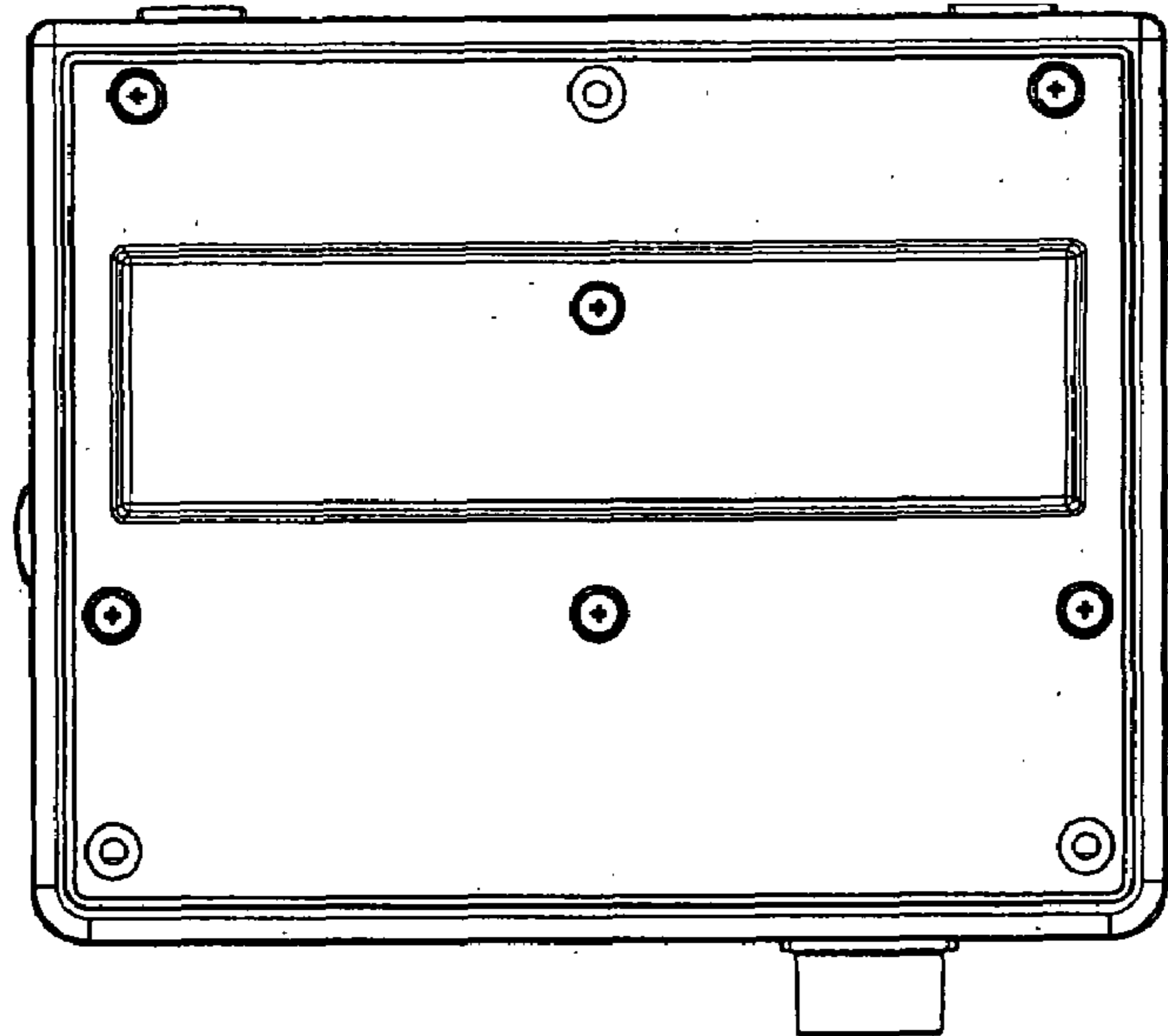


FIG. 5

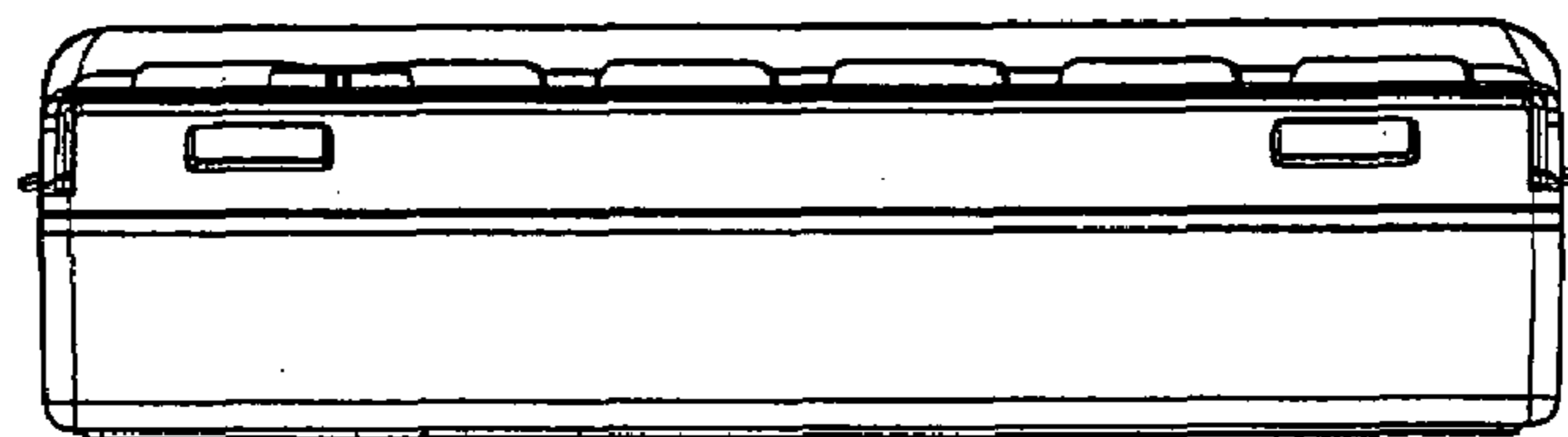


FIG. 6