



US00D556149S

(12) **United States Design Patent**
Kaufhold et al.

(10) **Patent No.:** **US D556,149 S**

(45) **Date of Patent:** **** Nov. 27, 2007**

(54) **CONTROL UNIT FOR MICROSCOPES,
COMPUTERS AND OTHER
CONTROLLABLE DEVICES OR MACHINES**

D507,243 S * 7/2005 Miller D13/162
D529,504 S * 10/2006 Hughes D14/406
D541,803 S * 5/2007 Tseng et al. D14/402

(75) Inventors: **Tobias Kaufhold**, Jena (DE); **Johannes Knoblich**, Jena (DE); **Thomas Serfling**, Jena (DE)

* cited by examiner

Primary Examiner—Selina Sikder
Assistant Examiner—Thomas J Johannes

(73) Assignee: **Carl Zeiss Jena GmbH**, Jena (DE)

(74) *Attorney, Agent, or Firm*—Patterson, Thunte, Skaar & Christensen, P.A.

(**) Term: **14 Years**

(57) **CLAIM**

(21) Appl. No.: **29/257,129**

We claim the ornamental design for control unit for microscopes, computers and other controllable devices or machines, as shown.

(22) Filed: **Mar. 29, 2006**

(30) **Foreign Application Priority Data**

DESCRIPTION

Sep. 30, 2005 (EM) 000409156-0001

(51) **LOC (8) Cl.** **13-03**

(52) **U.S. Cl.** **D13/162**

(58) **Field of Classification Search** D13/158,
D13/162, 164, 168, 177, 184; D14/138,
D14/218, 335, 402, 406; D24/200; D10/104,
D10/49; 700/180; 239/201, 272, 70, 548,
239/7, 63, 69; 137/78.2, 78.3, 312, 80
See application file for complete search history.

FIG. 1 is a top plan view of a control unit for microscopes, computers and other controllable devices or machines according to an embodiment of the invention.

FIG. 2 is a front perspective view of a control unit for microscopes, computers and other controllable devices or machines according to an embodiment of the invention.

FIG. 3 is a rear elevational view of a control unit for microscopes, computers and other controllable devices or machines according to an embodiment of the invention.

FIG. 4 is a side perspective view of a control unit for microscopes, computers and other controllable devices or machines according to an embodiment of the invention.

FIG. 5 is a side perspective view of a control unit for microscopes, computers and other controllable devices or machines according to an embodiment of the invention; and,

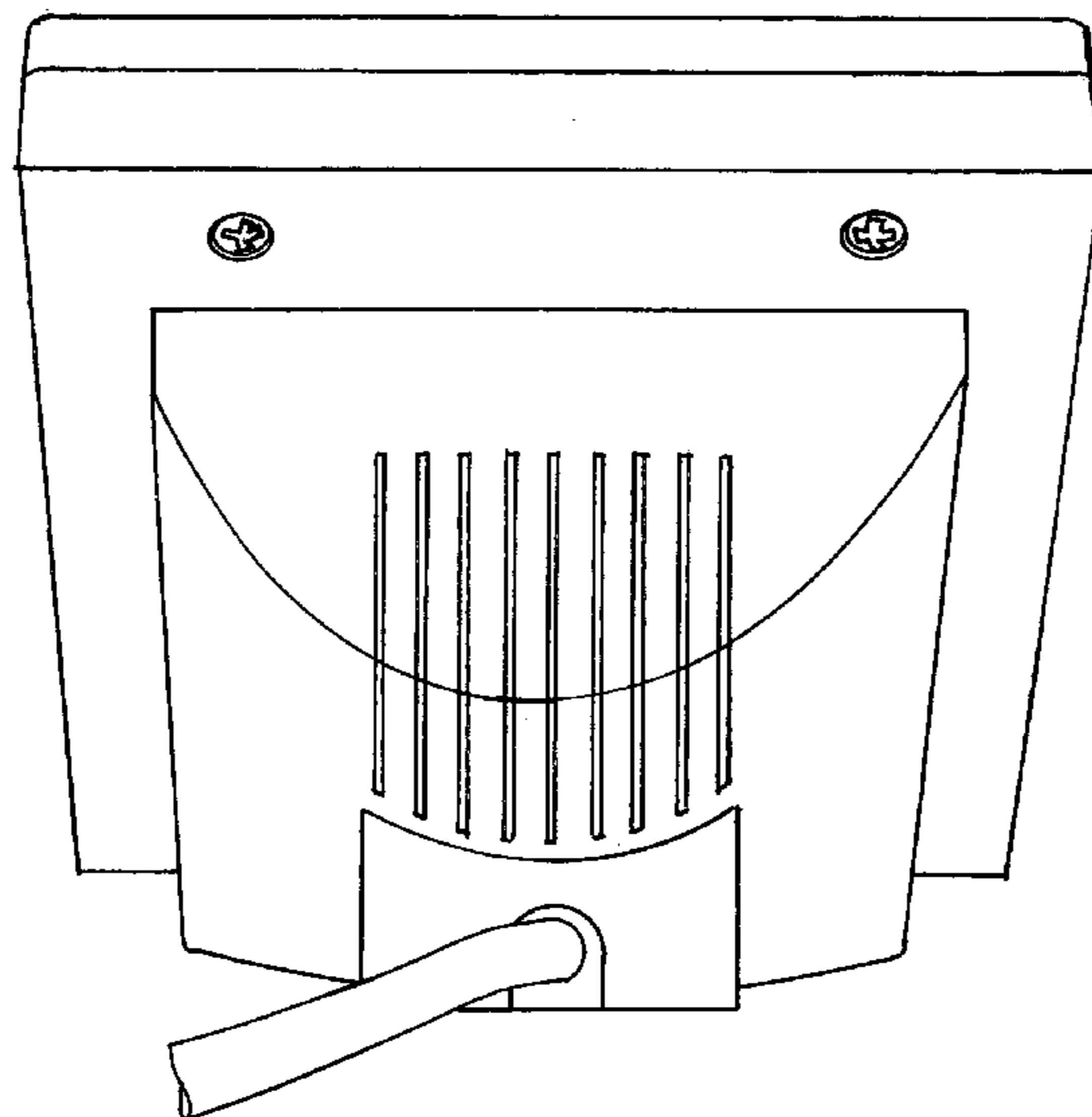
FIG. 6 is a side perspective view of a control unit for microscopes, computers and other controllable devices or machines according to an embodiment of the invention.

(56) **References Cited**

U.S. PATENT DOCUMENTS

D247,173 S * 2/1978 Peter et al. D14/335
D269,271 S * 6/1983 Sottsass D14/335
D343,165 S * 1/1994 Byar D13/164
D367,430 S * 2/1996 Greenberg et al. D10/49
D369,796 S * 5/1996 Grewe D14/138
D424,060 S * 5/2000 Baker et al. D14/218
D428,350 S * 7/2000 Weingartner D10/104
D428,994 S * 8/2000 Thauer et al. D24/200
D462,940 S * 9/2002 Castagna D13/162
D482,664 S * 11/2003 Hunt et al. D13/168

1 Claim, 6 Drawing Sheets



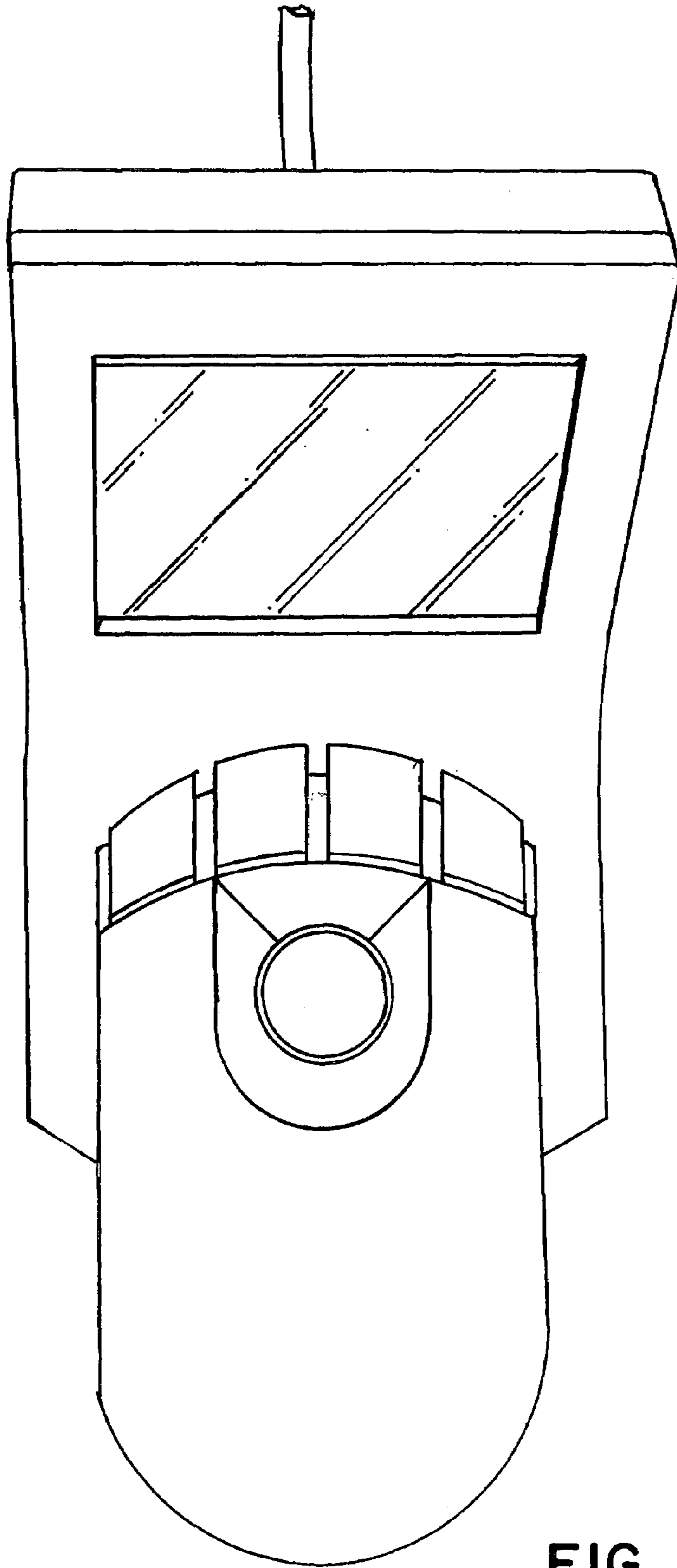


FIG. 1

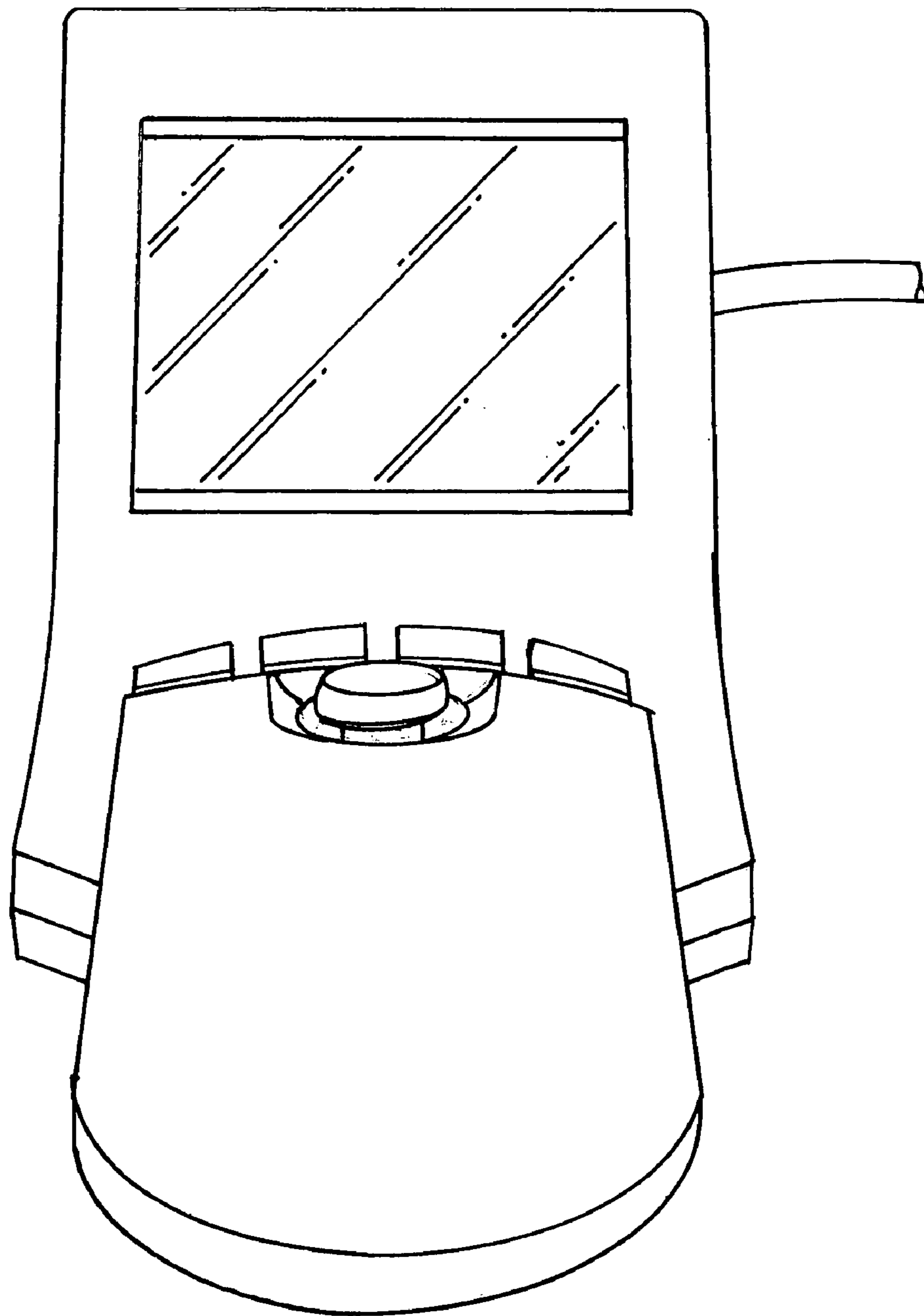


FIG. 2

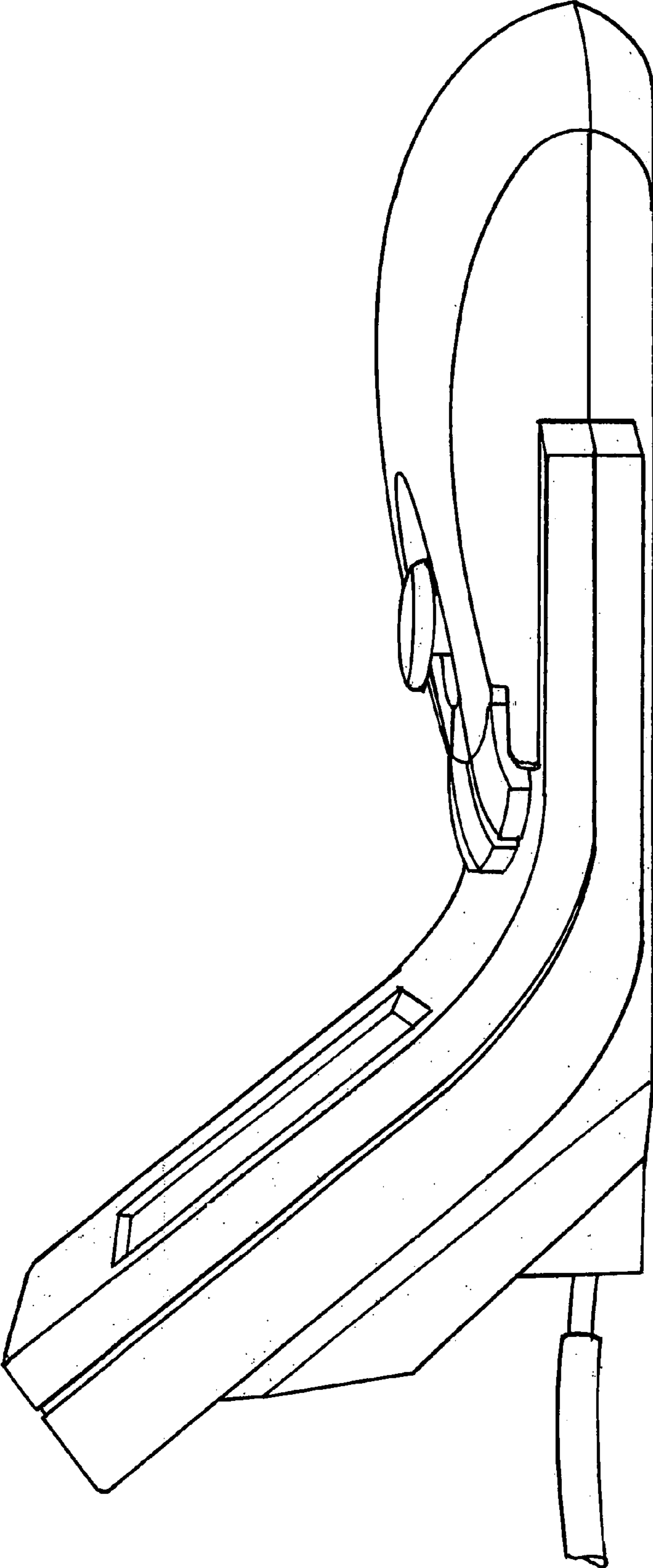


FIG. 3

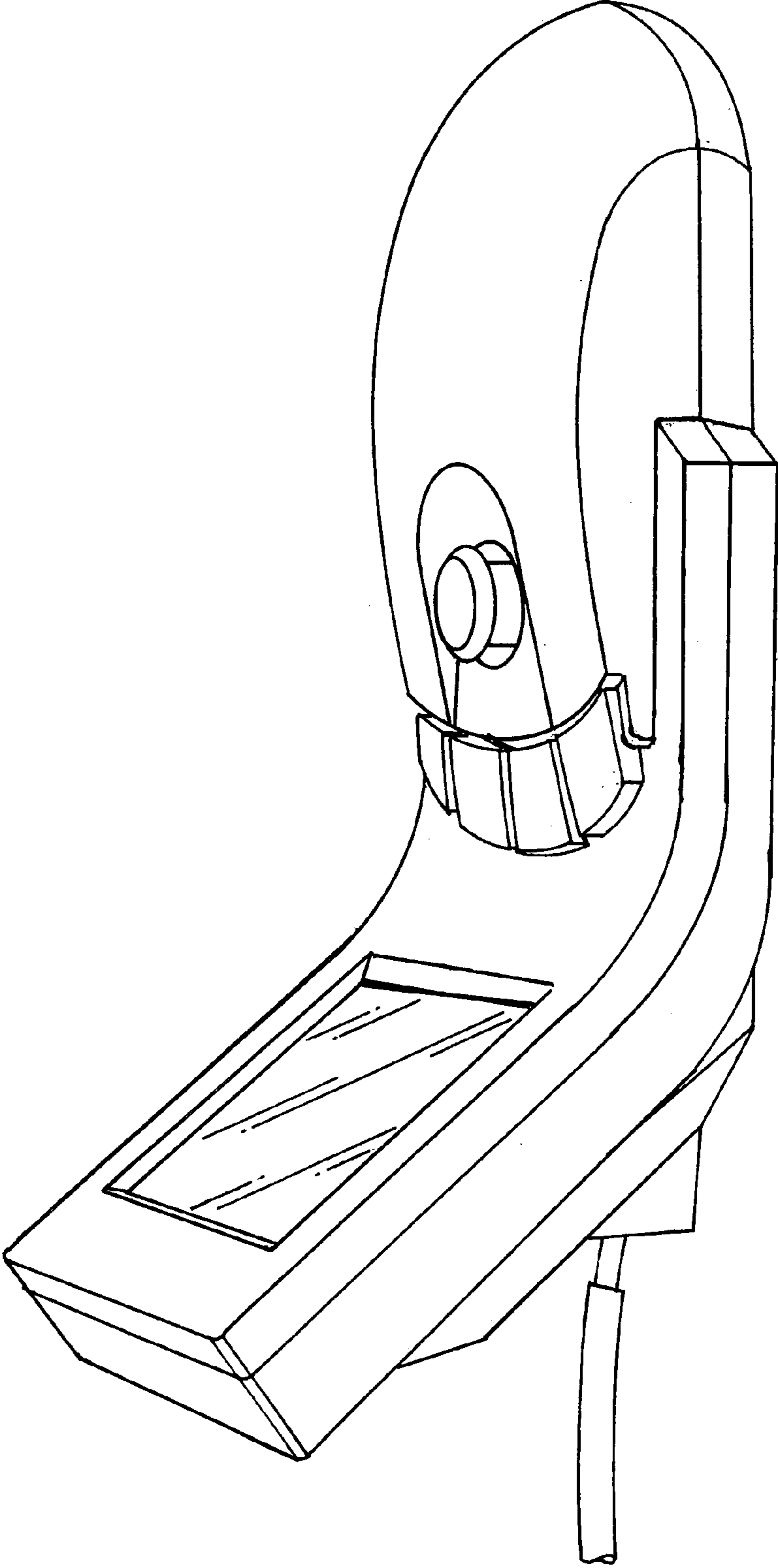


FIG. 4

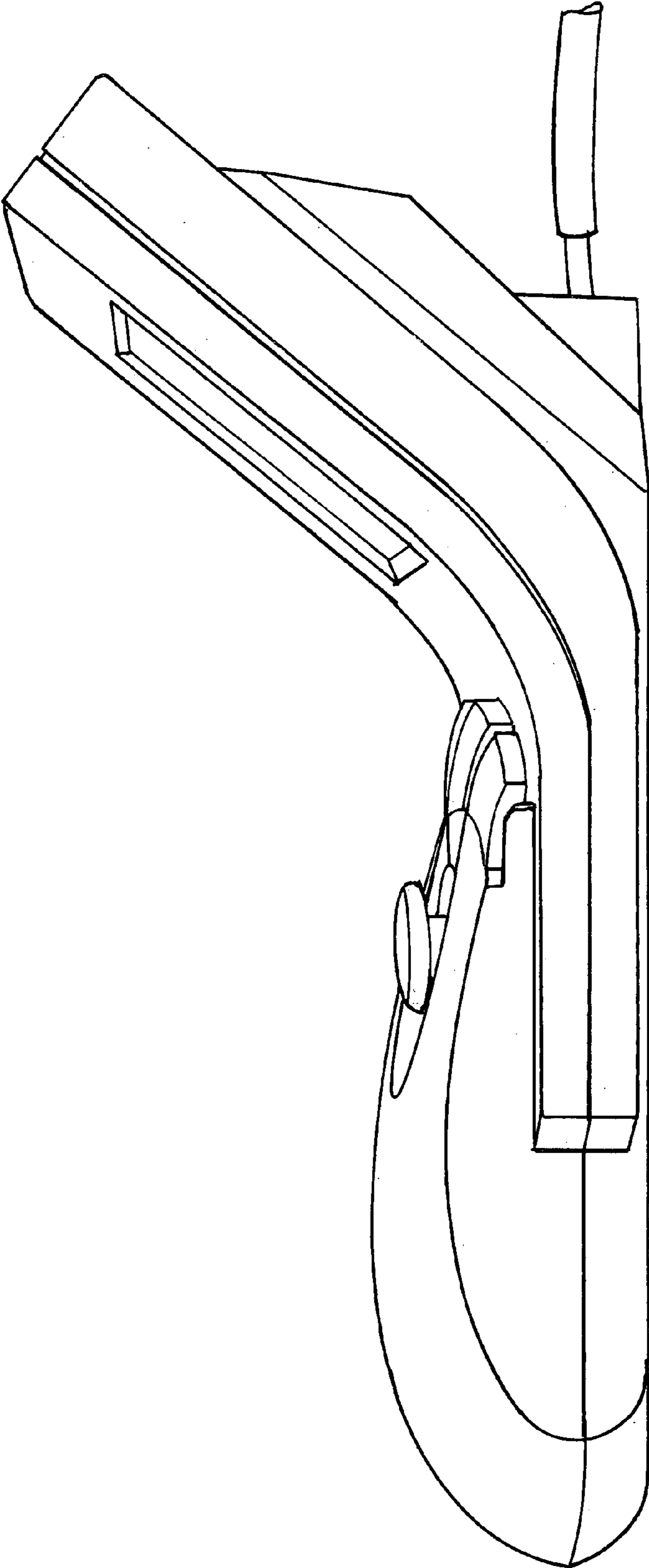


FIG. 5

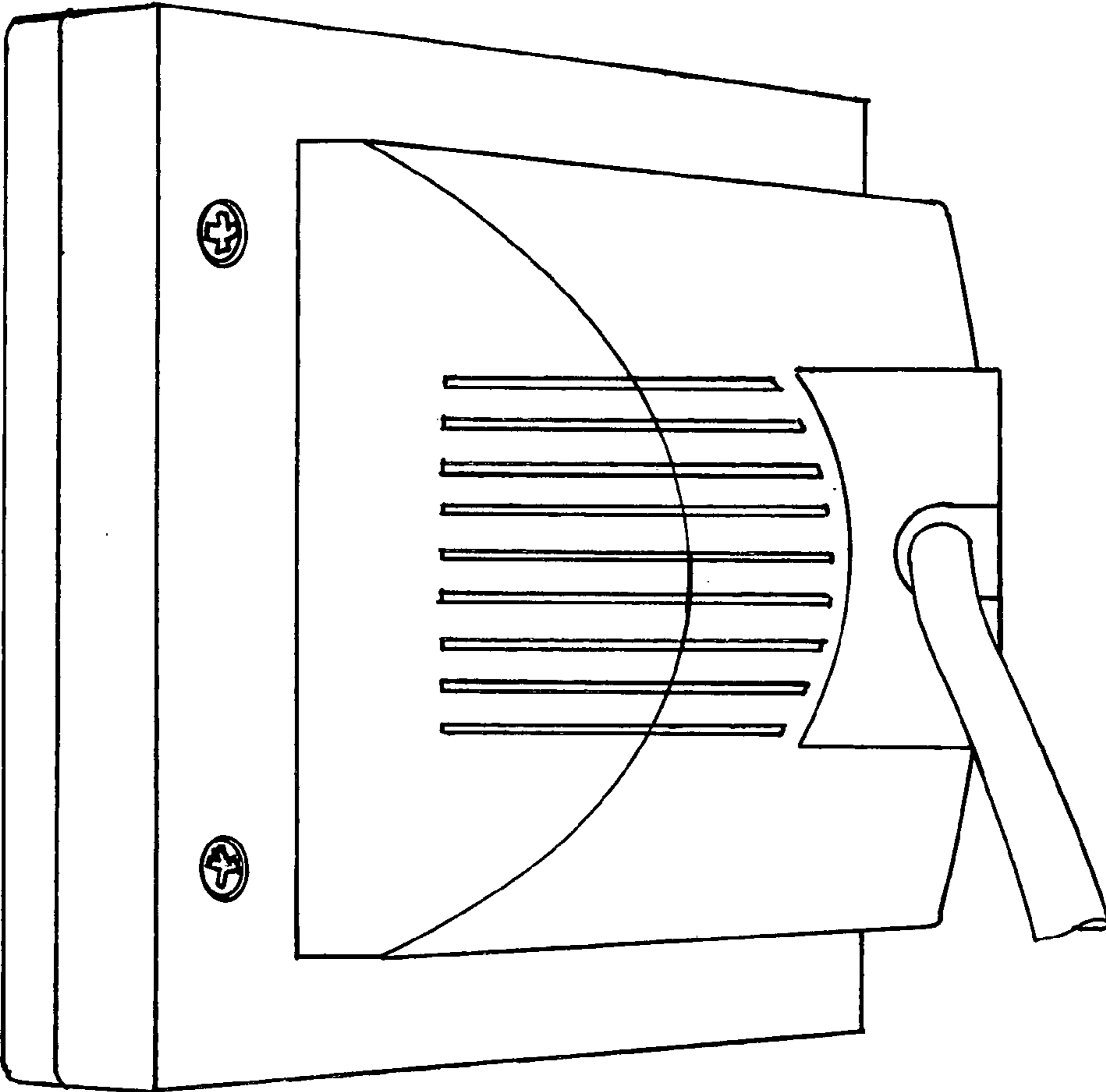


FIG. 6