



US00D556148S

(12) **United States Design Patent**  
**Champness**

(10) **Patent No.:** **US D556,148 S**

(45) **Date of Patent:** **\*\* Nov. 27, 2007**

(54) **SWITCH BOX**

(75) Inventor: **William Champness**, Woldingham  
(GB)

(73) Assignee: **Control For Doors Ltd.**, Surrey (GB)

(\*\*) Term: **14 Years**

(21) Appl. No.: **29/232,178**

(22) Filed: **Jun. 16, 2005**

(30) **Foreign Application Priority Data**

Jan. 20, 2005 (GB) ..... 3020057

(51) **LOC (8) Cl.** ..... **13-03**

(52) **U.S. Cl.** ..... **D13/158**

(58) **Field of Classification Search** ..... D13/120,  
D13/158-184, 199; D14/240; 361/641,  
361/704; 174/50, 502; 220/3.6, 3.9, 3.92-3.94,  
220/810

See application file for complete search history.

(56) **References Cited**

**U.S. PATENT DOCUMENTS**

- 1,420,694 A \* 6/1922 Gore ..... 220/3.94
- 1,435,711 A \* 11/1922 Kruse ..... 220/3.9
- 4,295,575 A \* 10/1981 Flachbarth ..... 220/3.92
- 4,398,647 A \* 8/1983 Ackerman ..... 220/3.9
- D305,420 S \* 1/1990 Bujak et al. .... D13/177
- 4,908,733 A \* 3/1990 Zachrei et al. .... 361/641
- 5,301,086 A \* 4/1994 Harris et al. .... 361/641

- 5,959,246 A \* 9/1999 Gretz ..... 174/50
- 6,356,434 B1 \* 3/2002 Osterman ..... 361/641
- D467,558 S \* 12/2002 Morimoto et al. .... D13/164
- 6,541,699 B1 \* 4/2003 Lindemulder et al. .... 174/50
- 6,835,890 B2 \* 12/2004 Dinh et al. .... 174/66
- D502,173 S \* 2/2005 Jung et al. .... D14/240
- 2004/0079543 A1 \* 4/2004 Kobayashi et al. .... 174/50

\* cited by examiner

*Primary Examiner*—Selina Sikder

*Assistant Examiner*—Thomas J Johannes

(74) *Attorney, Agent, or Firm*—Bacon & Thomas, PLLC

(57) **CLAIM**

The ornamental design for a switch box, as shown and described.

**DESCRIPTION**

FIG. 1 is a top plan view of the switch box according to my design;

FIG. 2 is a bottom view thereof with a door in the closed position;

FIG. 3 is a bottom view thereof with a door in the opened position;

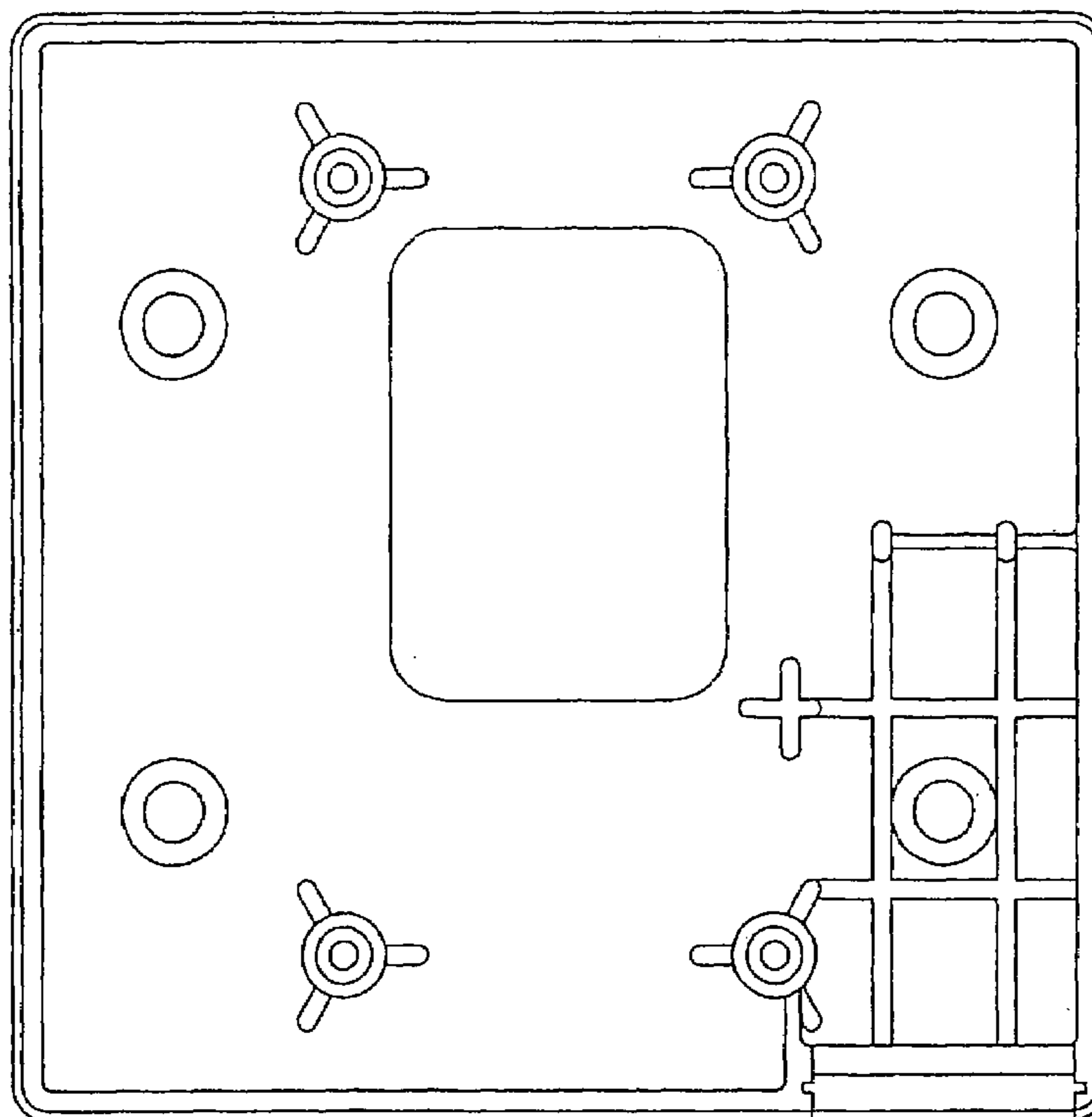
FIG. 4 is a front elevation view thereof;

FIG. 5 is a left side elevation view thereof;

FIG. 6 is a right side elevation view thereof; and,

FIG. 7 is a rear view thereof.

**1 Claim, 7 Drawing Sheets**



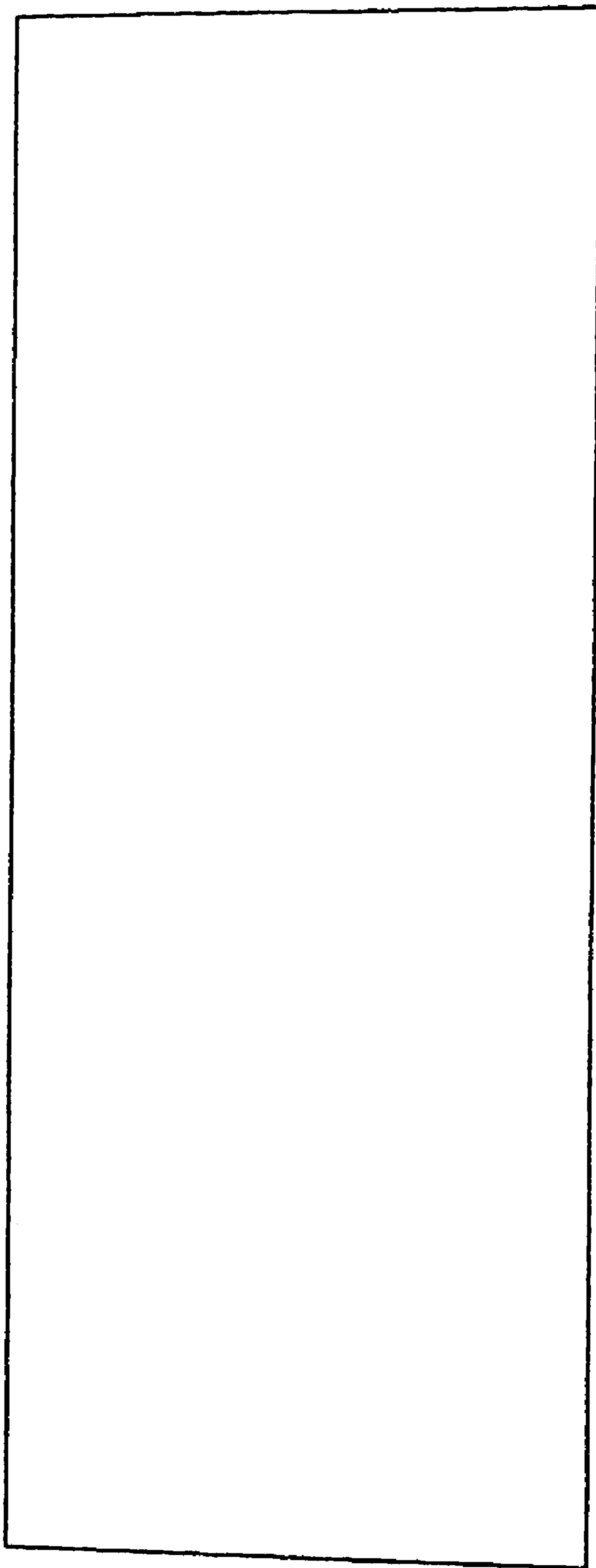


Fig. 1

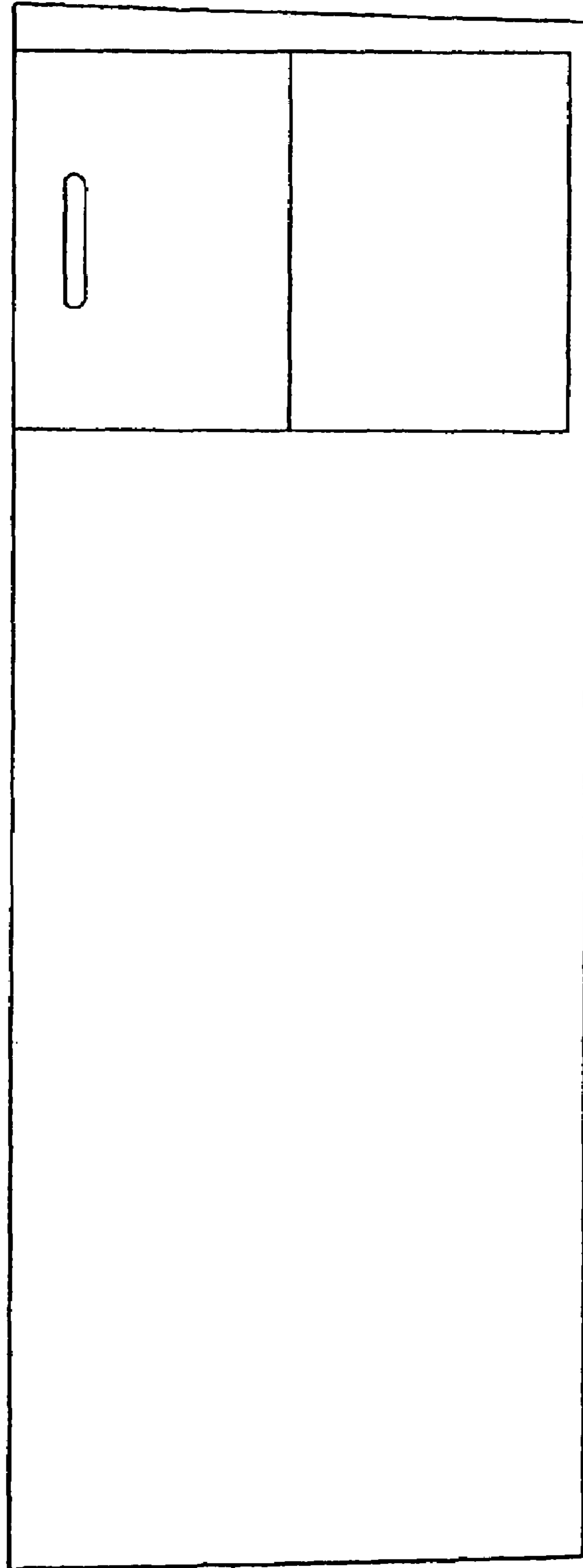


Fig. 2

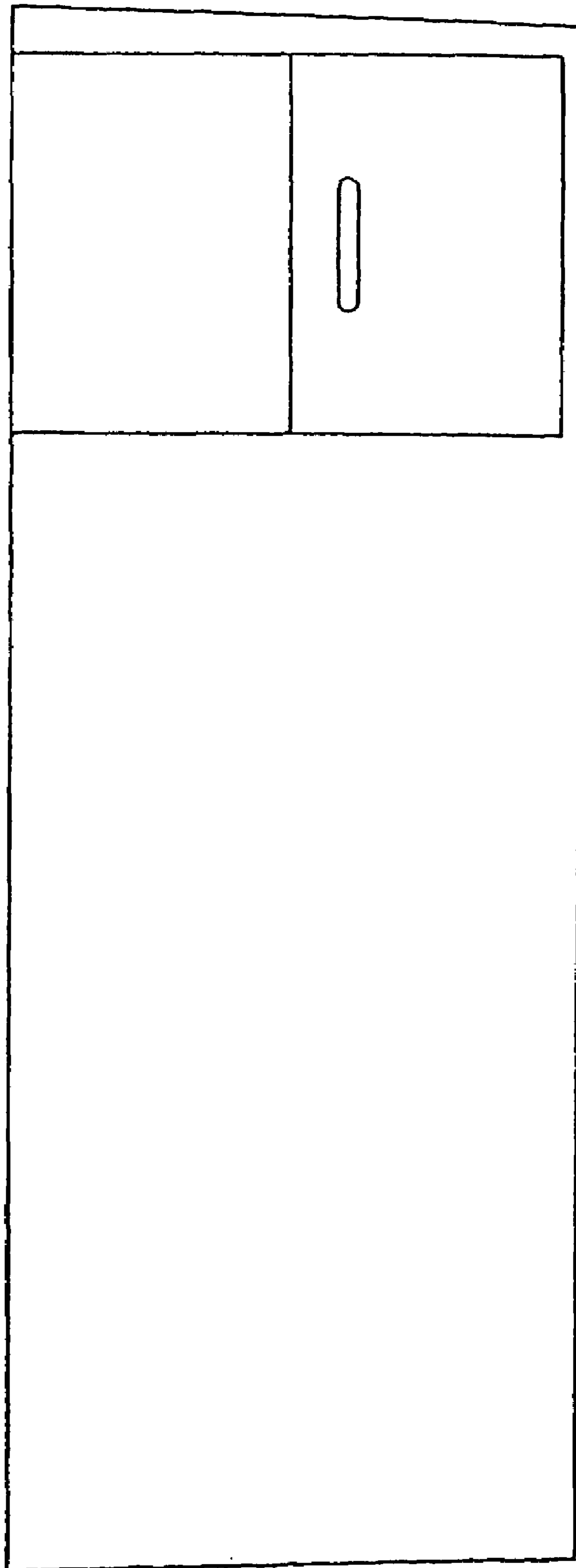


Fig. 3

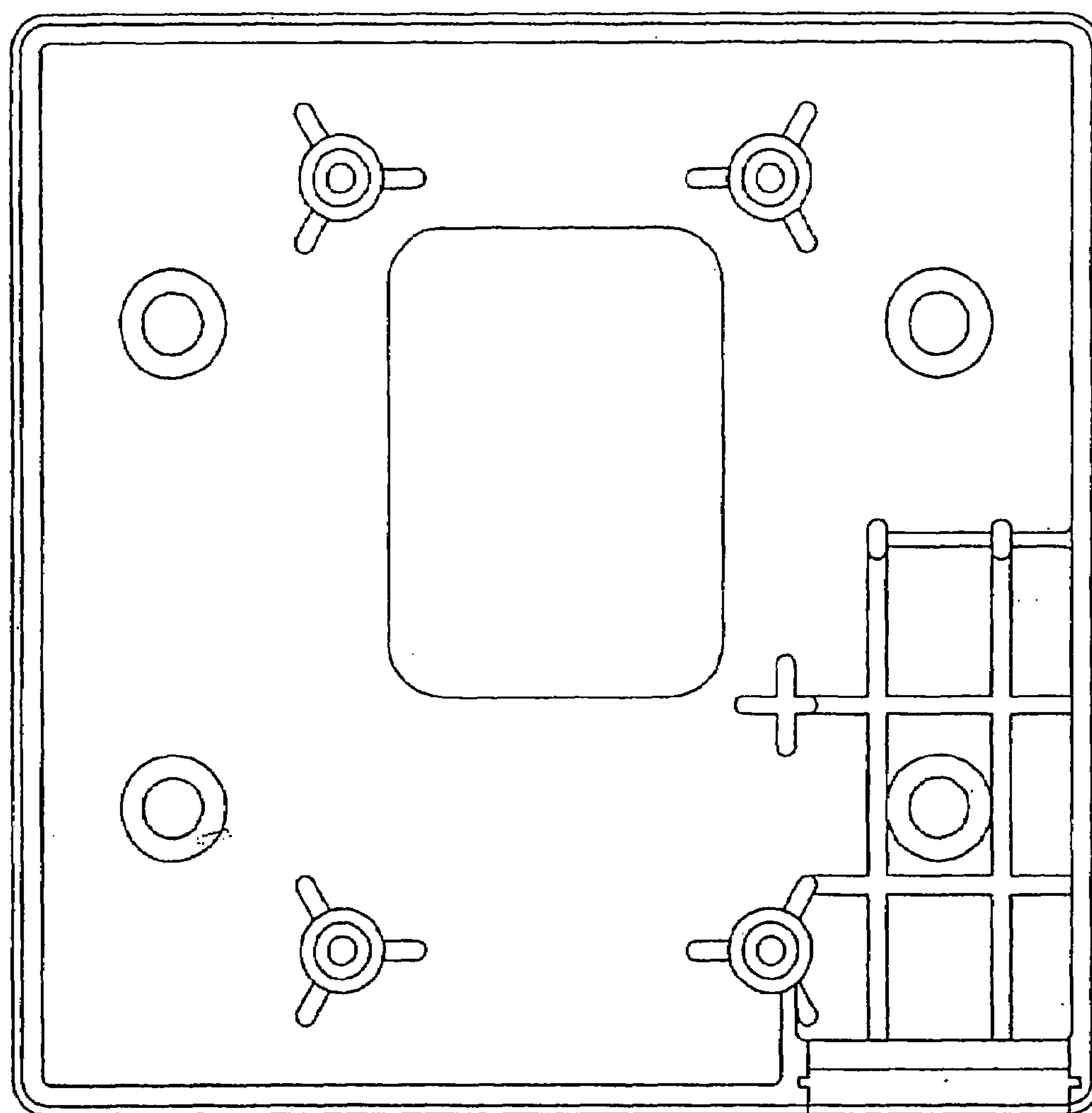


Fig. 4

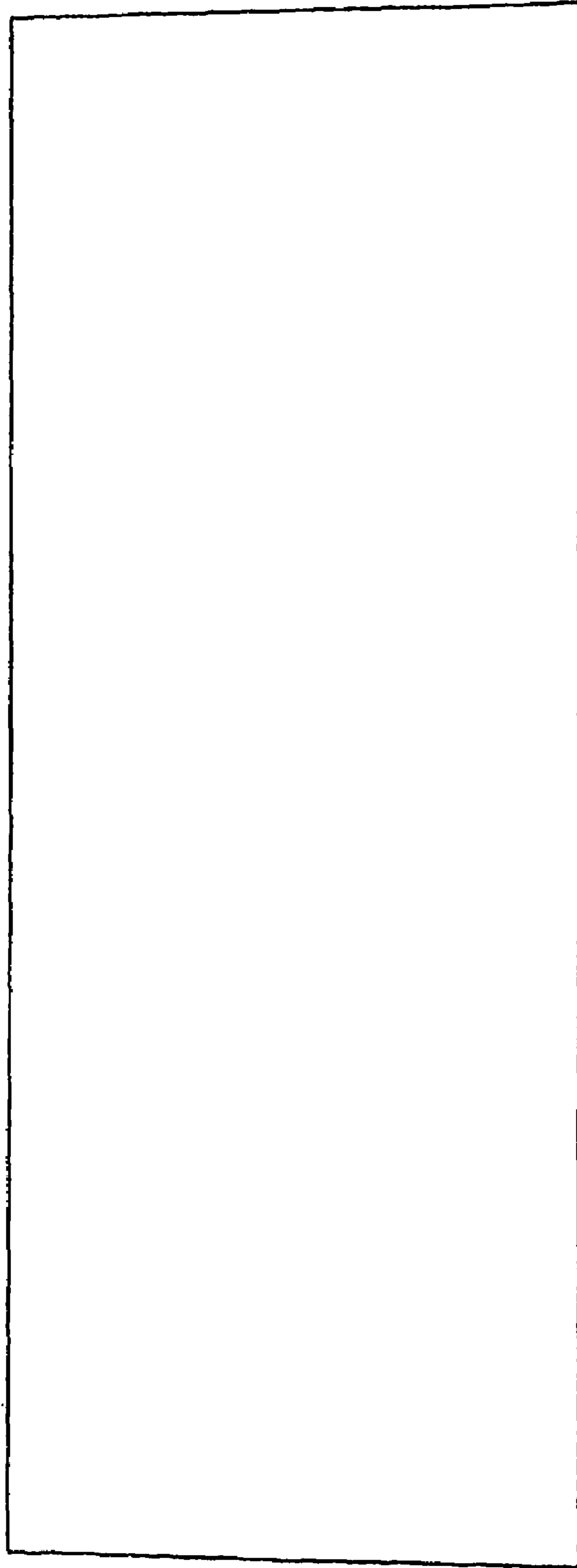


Fig. 5

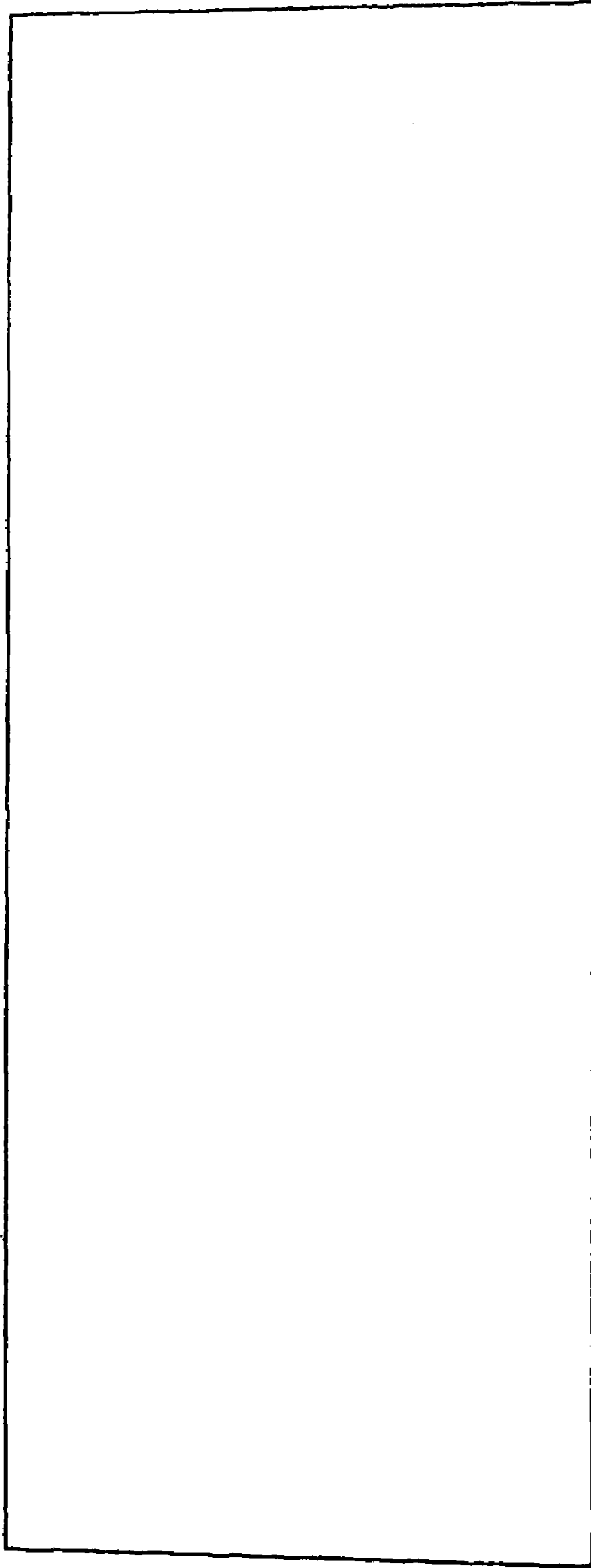


Fig. 6

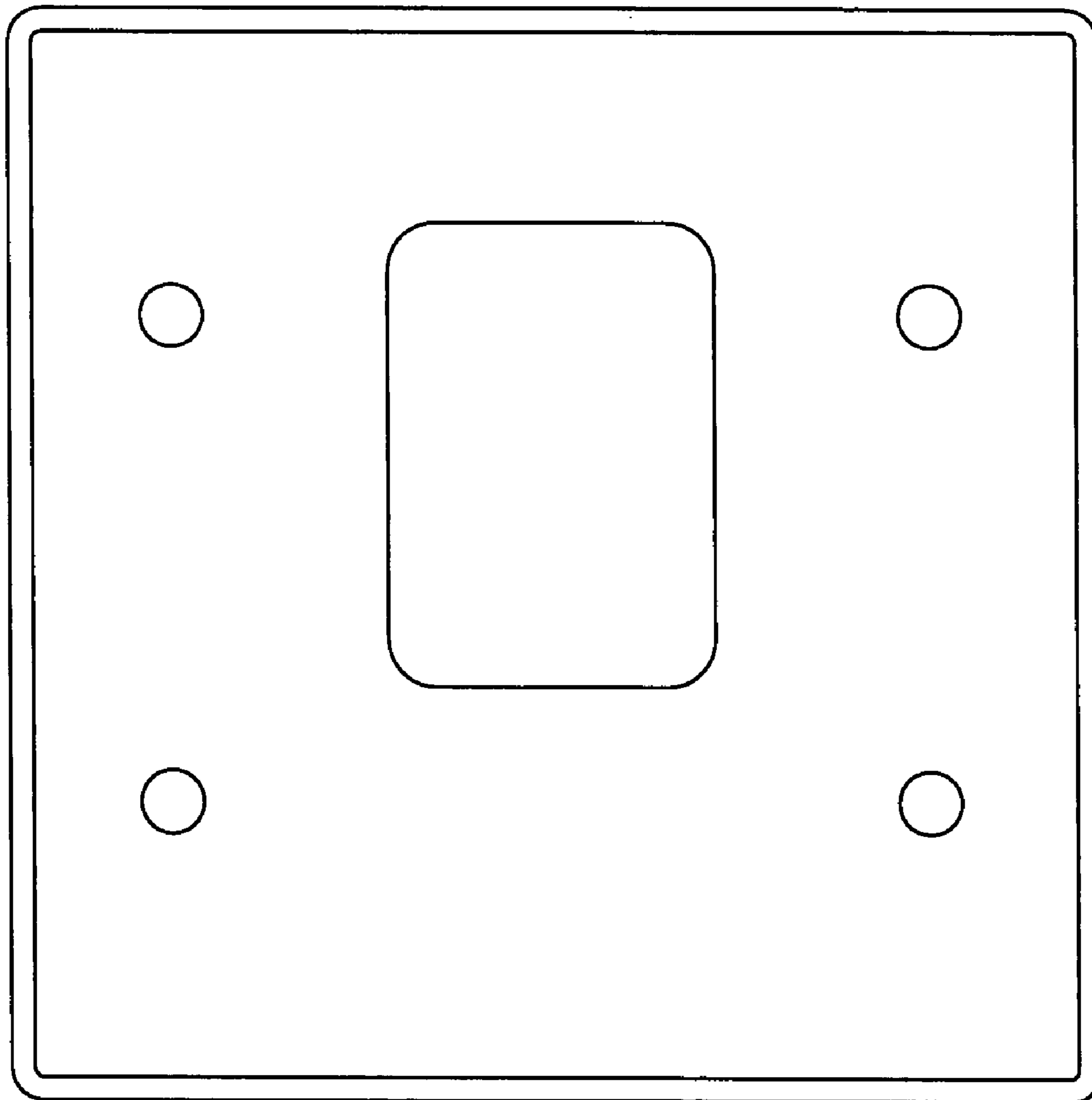


Fig. 7