



US00D556146S

(12) **United States Design Patent**
Victor

(10) **Patent No.:** **US D556,146 S**

(45) **Date of Patent:** **** Nov. 27, 2007**

(54) **CABLE CONNECTOR**

(76) Inventor: **Jay Victor**, 2017 Bataan Rd., Unit A,
Redondo Beach, CA (US) 90278

(**) Term: **14 Years**

(21) Appl. No.: **29/275,054**

(22) Filed: **Dec. 11, 2006**

(51) **LOC (8) Cl.** **13-03**

(52) **U.S. Cl.** **D13/154; D13/133**

(58) **Field of Classification Search** D13/133,
D13/153-154, 184, 199; 439/578, 668-669,
439/675, 751, 851-852, 889

See application file for complete search history.

(56) **References Cited**

U.S. PATENT DOCUMENTS

5,117,479	A *	5/1992	Erdman et al.	385/136
D329,223	S *	9/1992	Lee	D13/133
D355,159	S *	2/1995	Cheng	D13/133
D506,184	S *	6/2005	Sirichai et al.	D13/154
D519,933	S *	5/2006	Suckle et al.	D13/155
D528,507	S *	9/2006	Brown et al.	D13/133

* cited by examiner

Primary Examiner—Daniel Bui
(74) *Attorney, Agent, or Firm*—Trojan Law Offices

(57) **CLAIM**

The ornamental design for a cable connector, as shown and described.

DESCRIPTION

FIG. 1 is a side elevation view of a cable connector, showing my new design. The opposite side elevation view is a mirror image thereto;

FIG. 2 is a top plan view thereof. The bottom plan view thereof is a mirror image thereto;

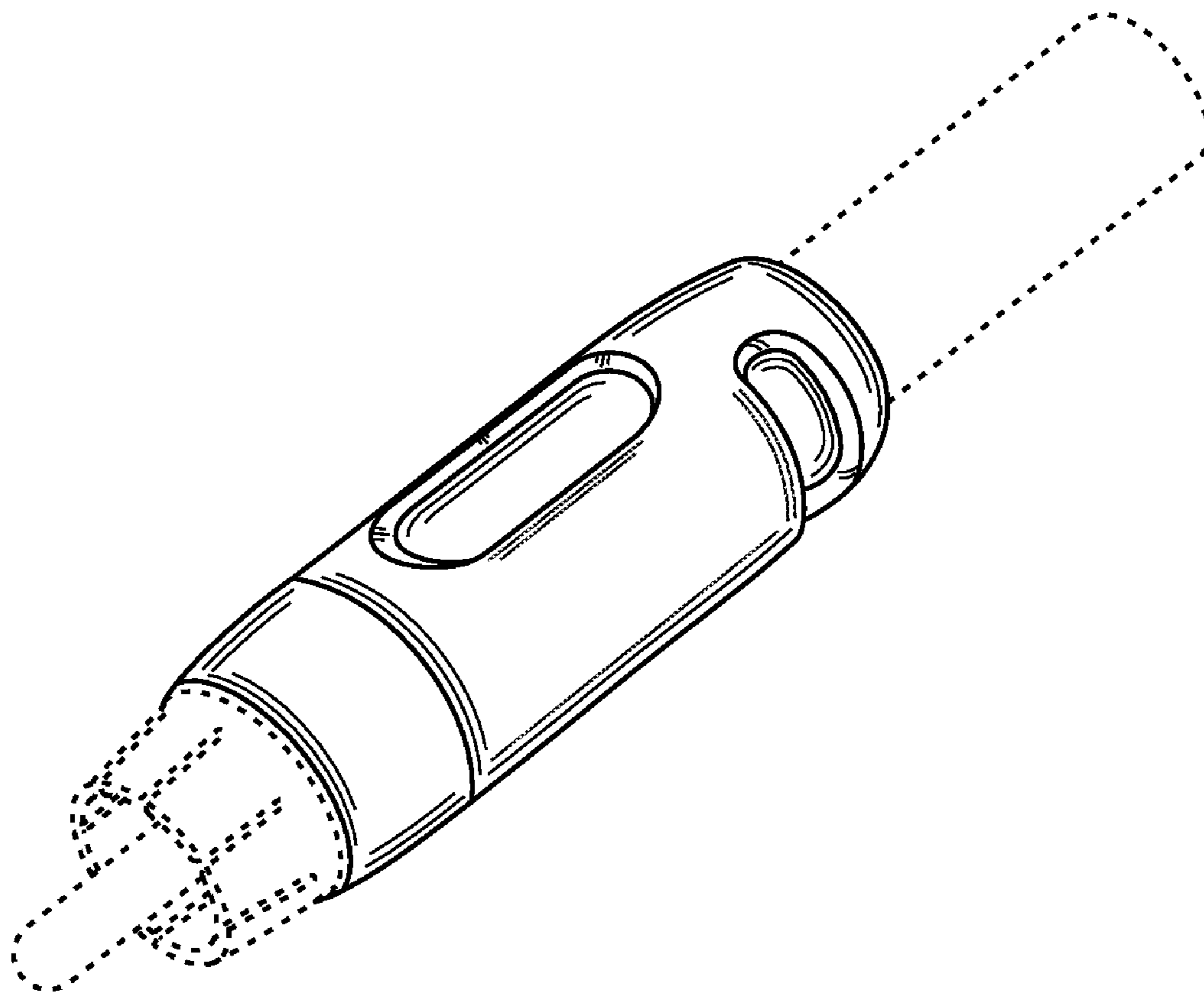
FIG. 3 is a rear perspective view thereof;

FIG. 4 is a front elevation view thereof; and,

FIG. 5 is a front perspective view thereof.

The broken line showing of the environment is for illustrative purposes only and forms no part of the claimed design.

1 Claim, 3 Drawing Sheets



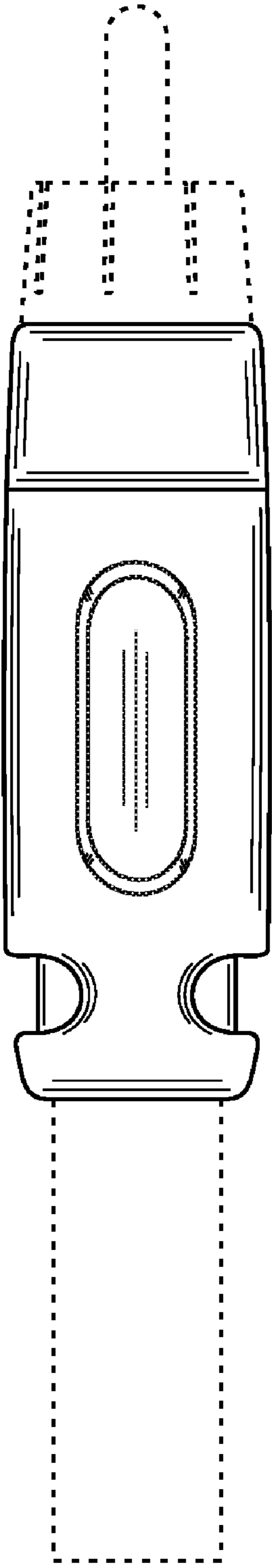


Fig. 1

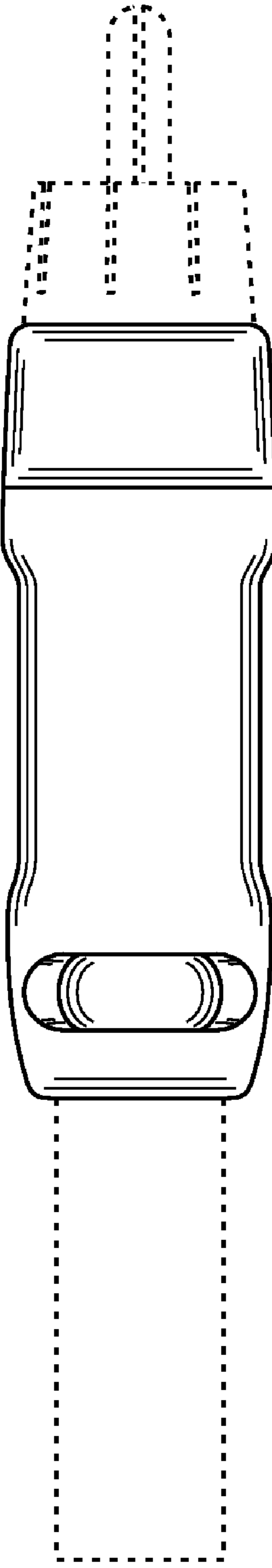


Fig. 2

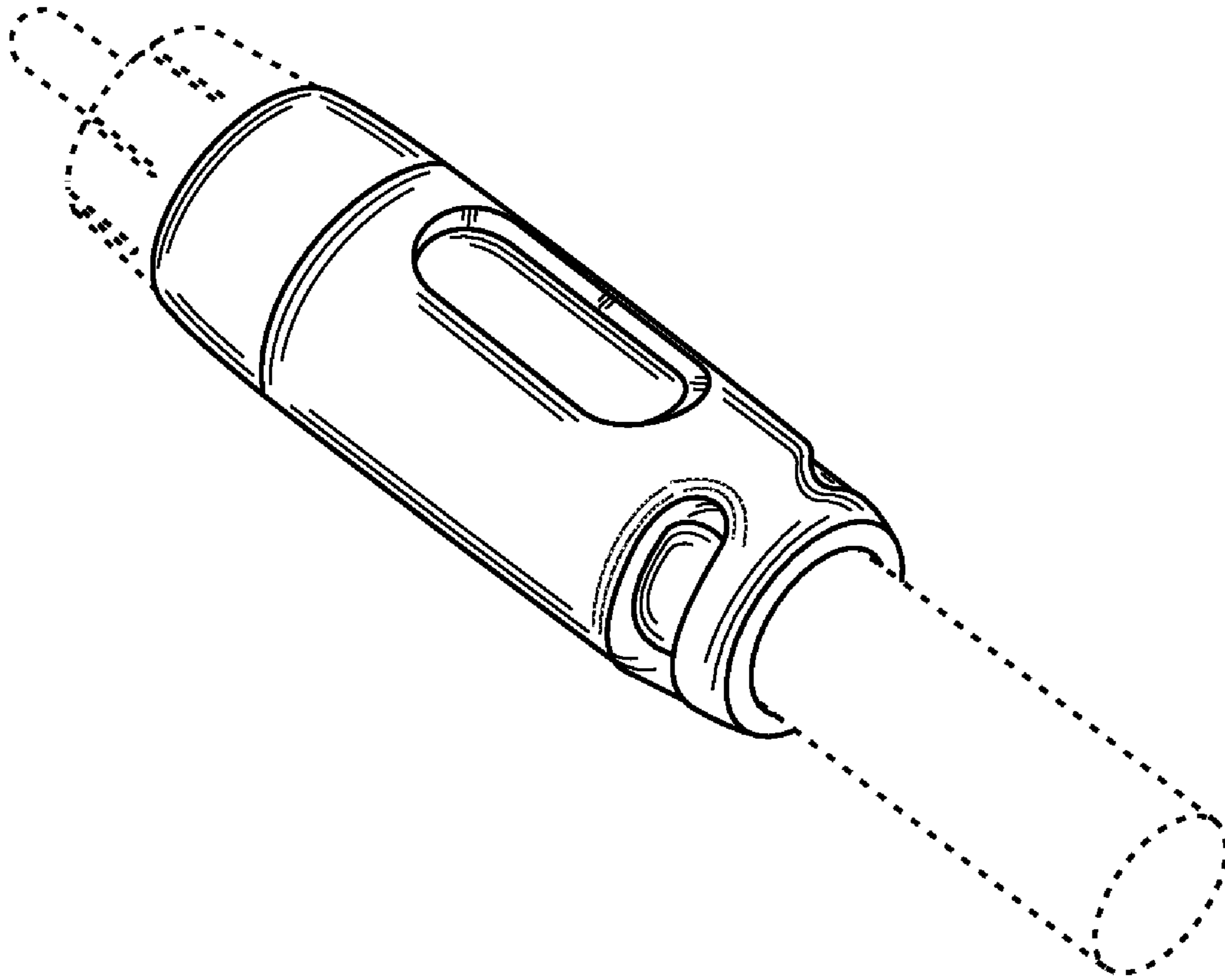


Fig. 3

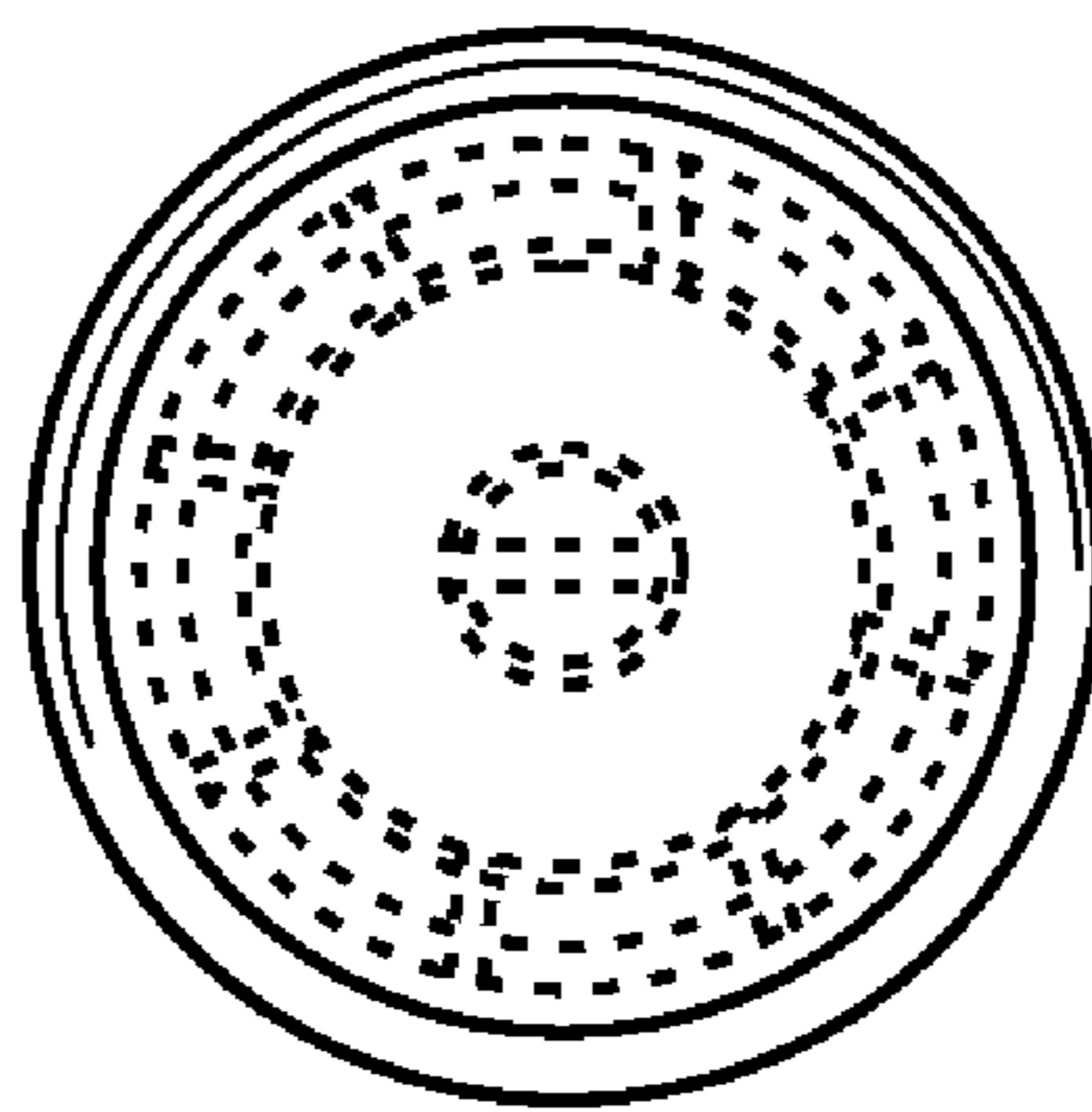


Fig. 4

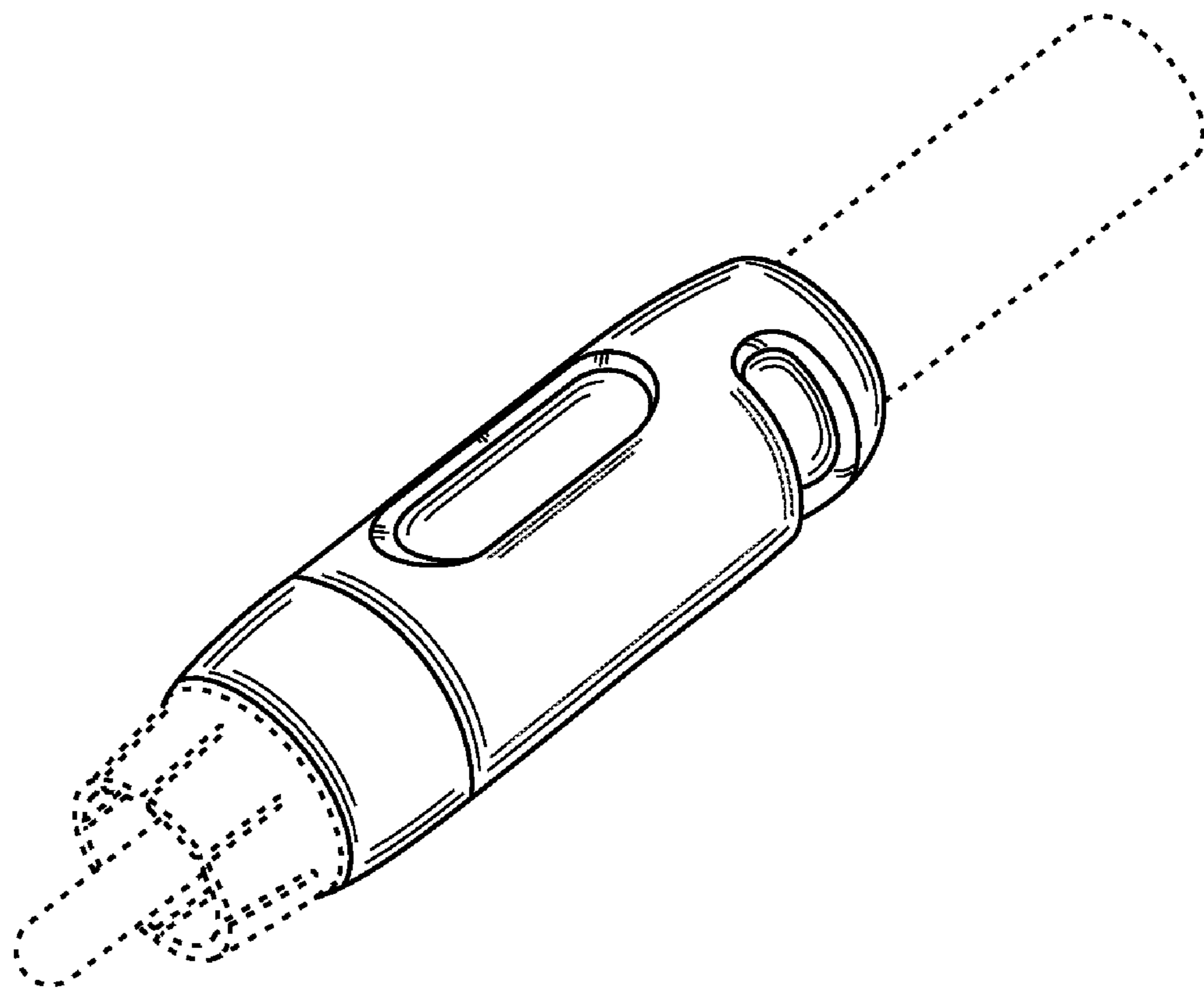


Fig. 5