



US00D556145S

(12) **United States Design Patent**
Williams et al.

(10) **Patent No.:** **US D556,145 S**

(45) **Date of Patent:** **** Nov. 27, 2007**

(54) **OUTLET COVER**

(75) Inventors: **Douglas E. Williams**, Genoa City, WI (US); **Thomas J. Schweiss**, Ingleside, IL (US)

(73) Assignee: **Intermatic Incorporated**, Spring Grove, IL (US)

(**) Term: **14 Years**

(21) Appl. No.: **29/269,284**

(22) Filed: **Nov. 27, 2006**

(51) **LOC (8) Cl.** **13-03**

(52) **U.S. Cl.** **D13/152**

(58) **Field of Classification Search** D13/139.4, D13/152, 156, 184; 174/50, 53-55, 58, 60, 174/66, 67; 220/3.2, 3.3, 3.7-3.9, 241, 242, 220/244, 315; 439/135, 136, 138, 142, 367, 439/373, 535, 536, 537, 541, 892, 893
See application file for complete search history.

(56) **References Cited**

U.S. PATENT DOCUMENTS

3,477,609	A	*	11/1969	Winkler, Jr.	220/784
D312,244	S	*	11/1990	Collins et al.	D13/152
D335,866	S	*	5/1993	Powell et al.	D13/152
D357,899	S	*	5/1995	Hopkins et al.	D13/152
D379,176	S	*	5/1997	Chambers et al.	D13/156
D411,826	S	*	7/1999	Lamar et al.	D13/139.6
6,007,353	A	*	12/1999	Webster	439/142

D499,330	S	*	12/2004	Peato	D8/383
D529,447	S	*	10/2006	Greenfield	D13/156
D531,961	S	*	11/2006	Greenfield	D13/156
D532,380	S	*	11/2006	Castaldo et al.	D13/152
D533,510	S	*	12/2006	Guercio	D13/152
2006/0096774	A1	*	5/2006	Vo	174/67

* cited by examiner

Primary Examiner—M. H. Tung

Assistant Examiner—Rosemary K. Tarcza

(74) *Attorney, Agent, or Firm*—Brinks Hofer Gilson & Lione

(57) **CLAIM**

We claim the ornamental design for an outlet cover, as shown and described.

DESCRIPTION

FIG. 1 is a perspective view of the new, original and ornamental design.

FIG. 2 is a front view thereof.

FIG. 3 is a back view thereof.

FIG. 4 is a right side view thereof.

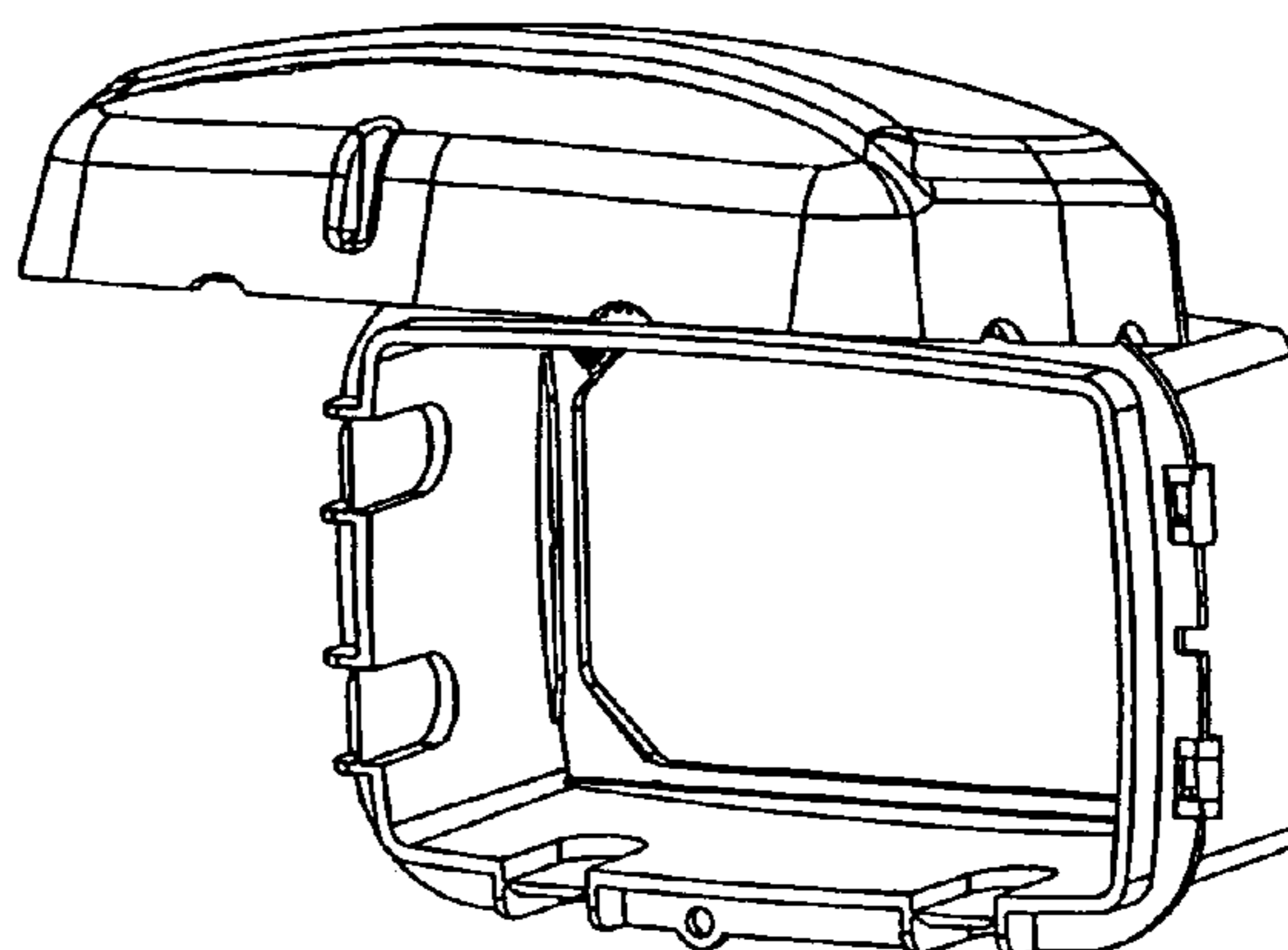
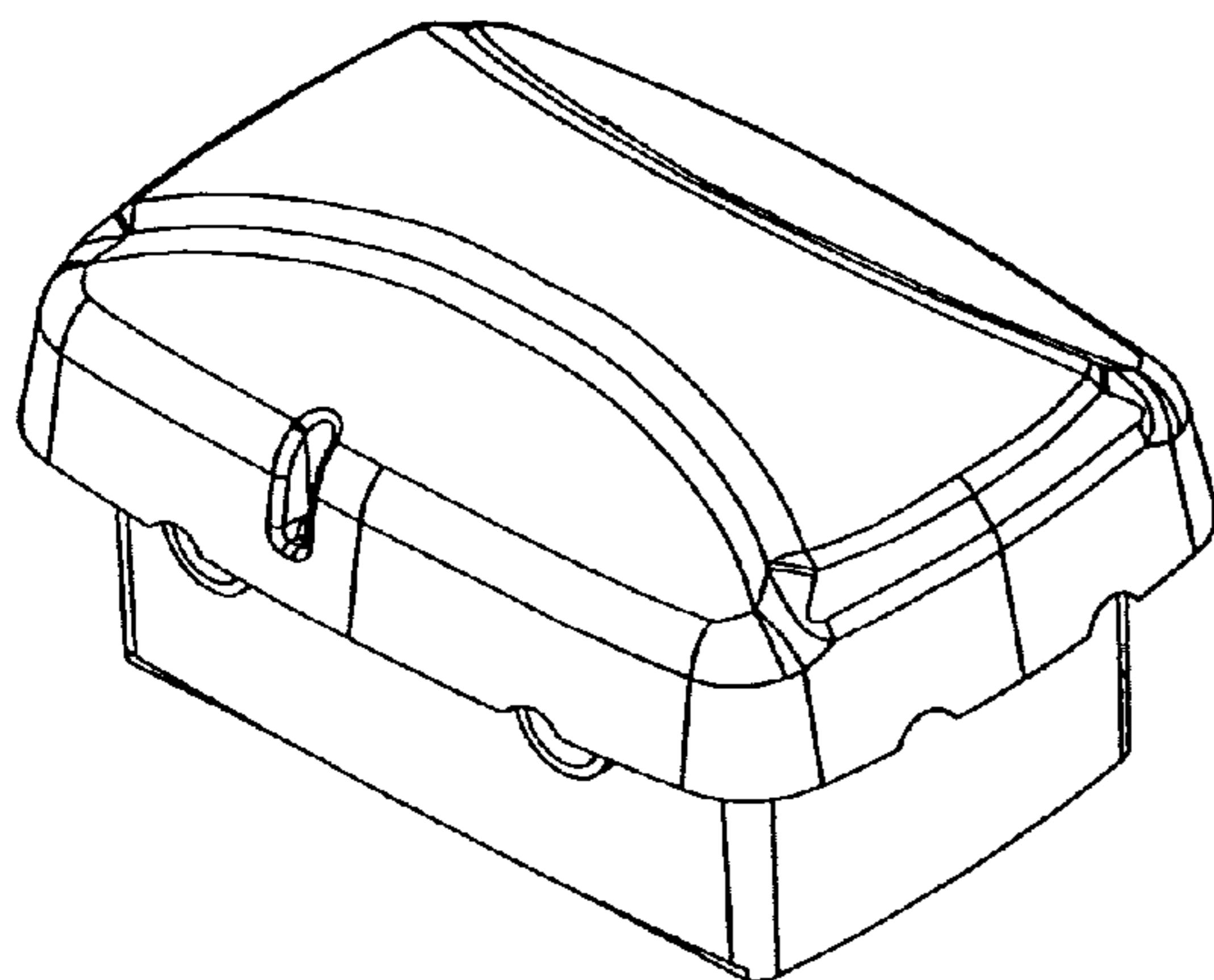
FIG. 5 is a left side view thereof.

FIG. 6 is a top view thereof.

FIG. 7 is a bottom view thereof; and,

FIG. 8 is a front perspective view with a cover in an open position.

1 Claim, 4 Drawing Sheets



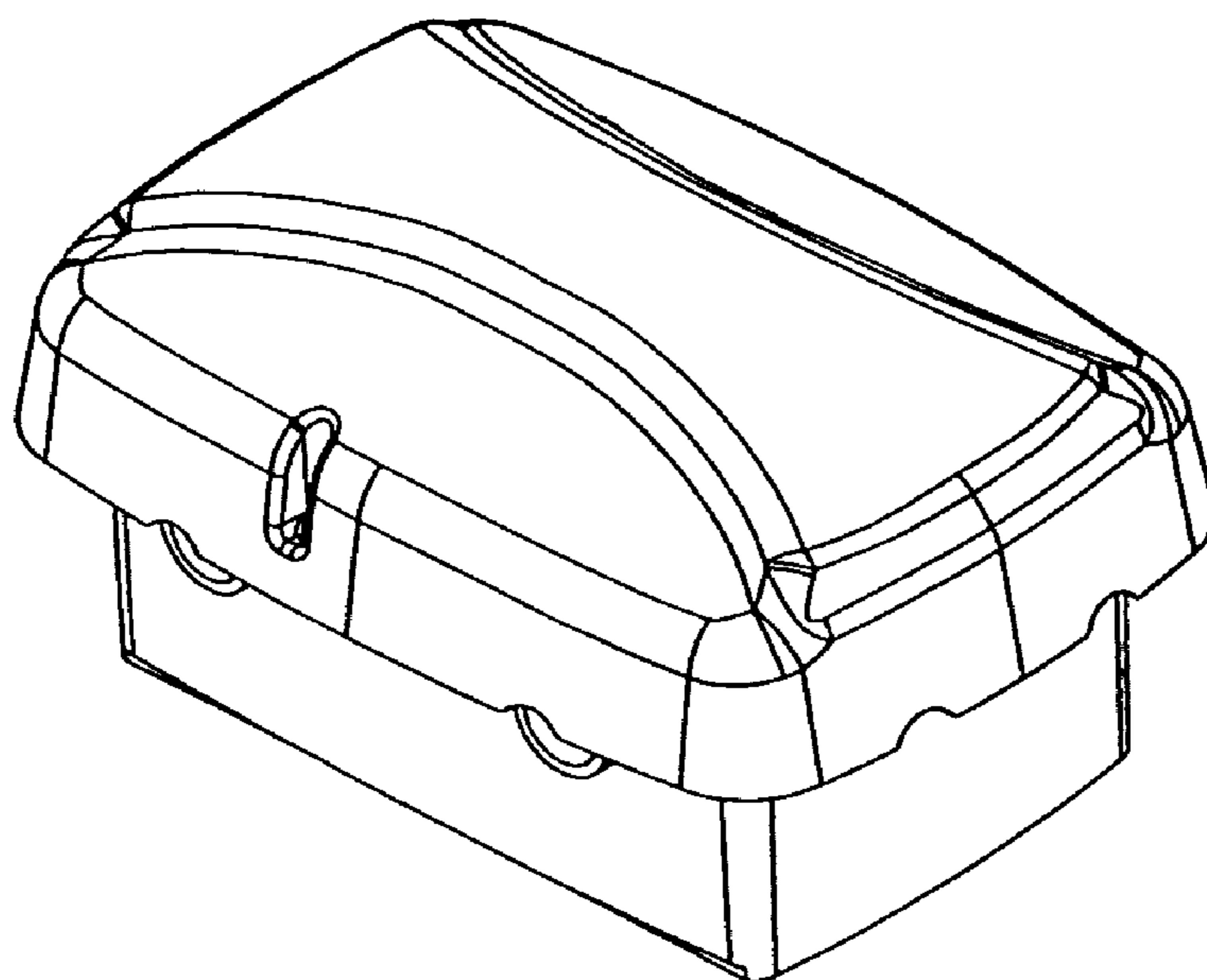


Fig. 1

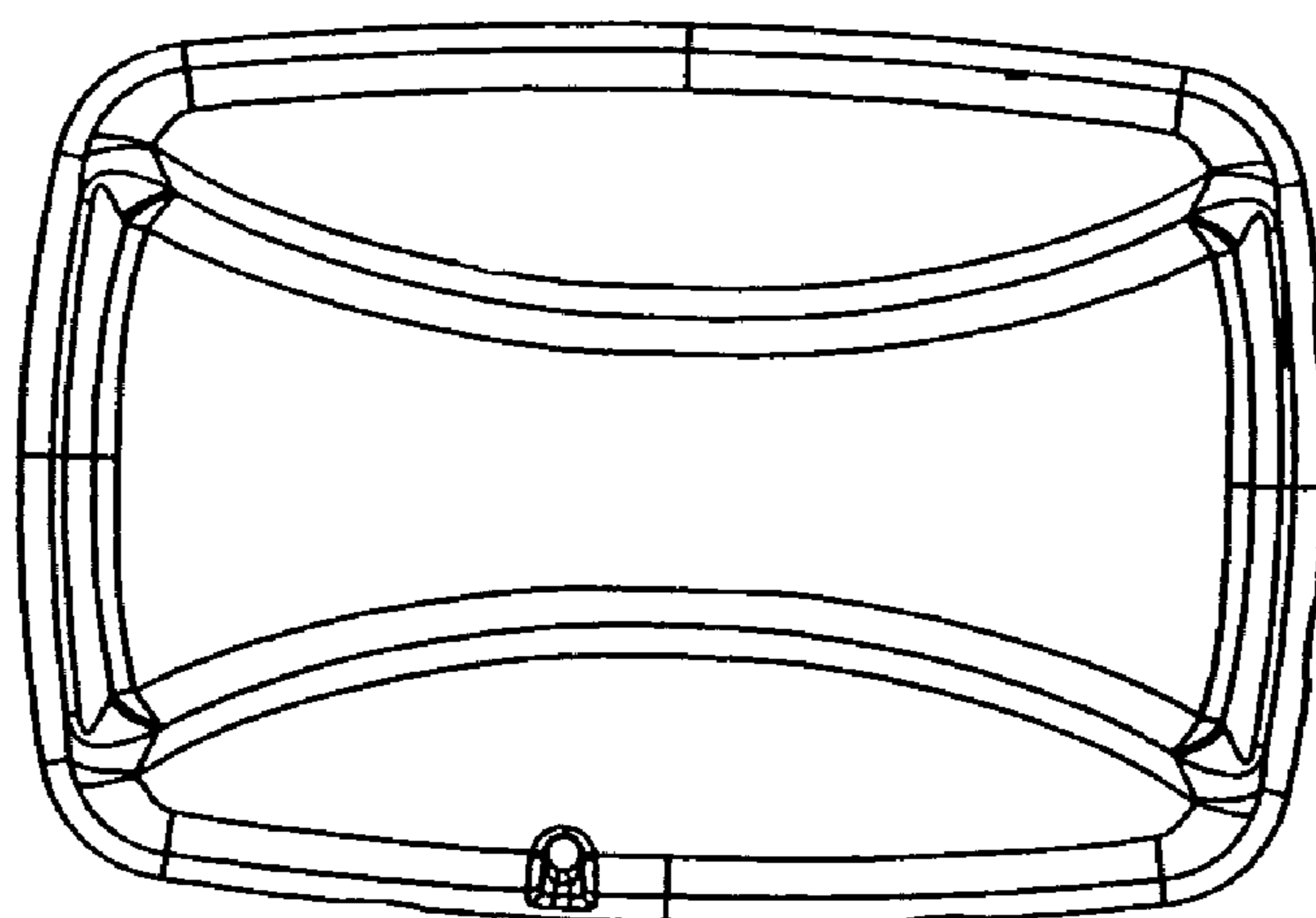


Fig. 2

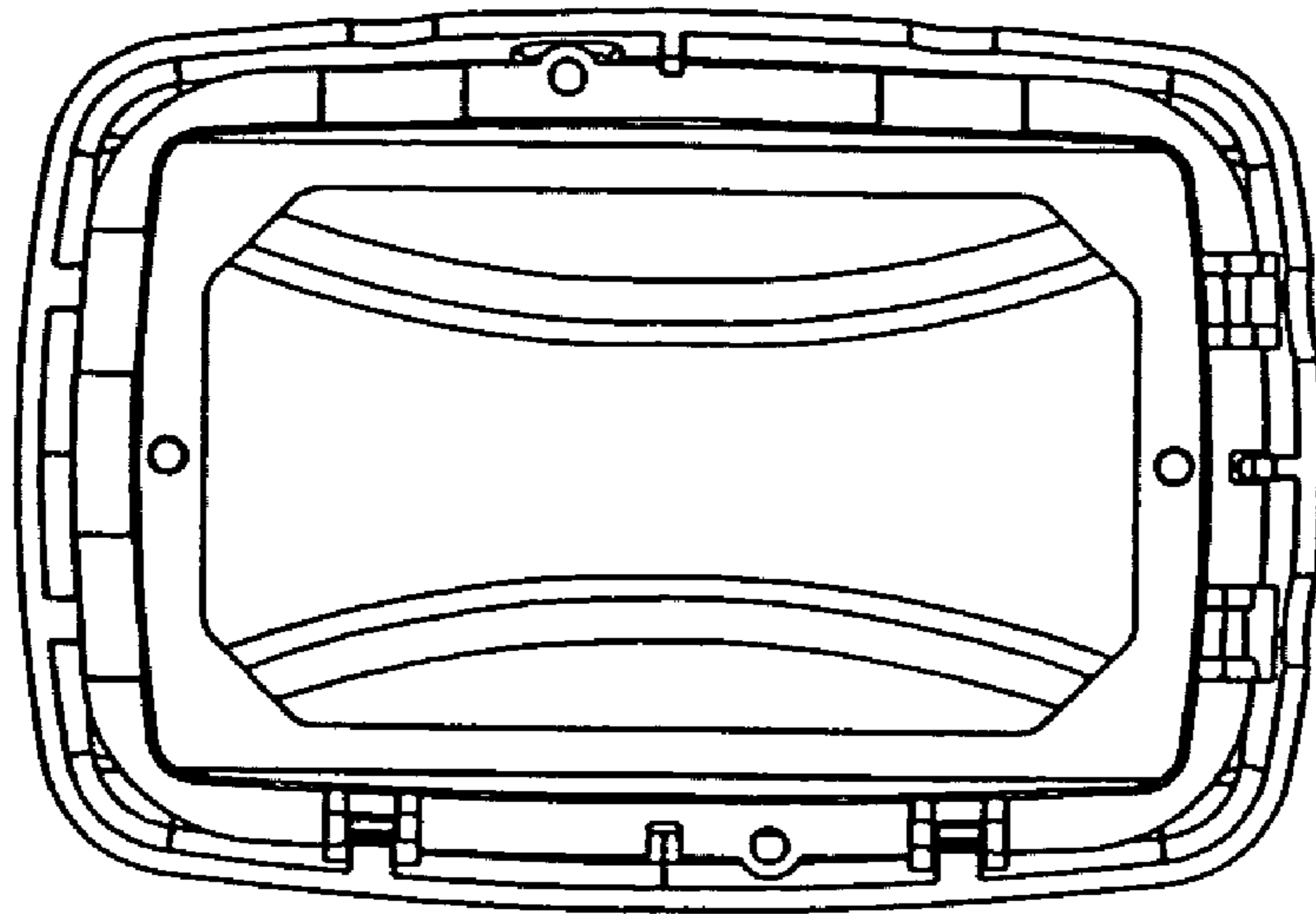


Fig. 3

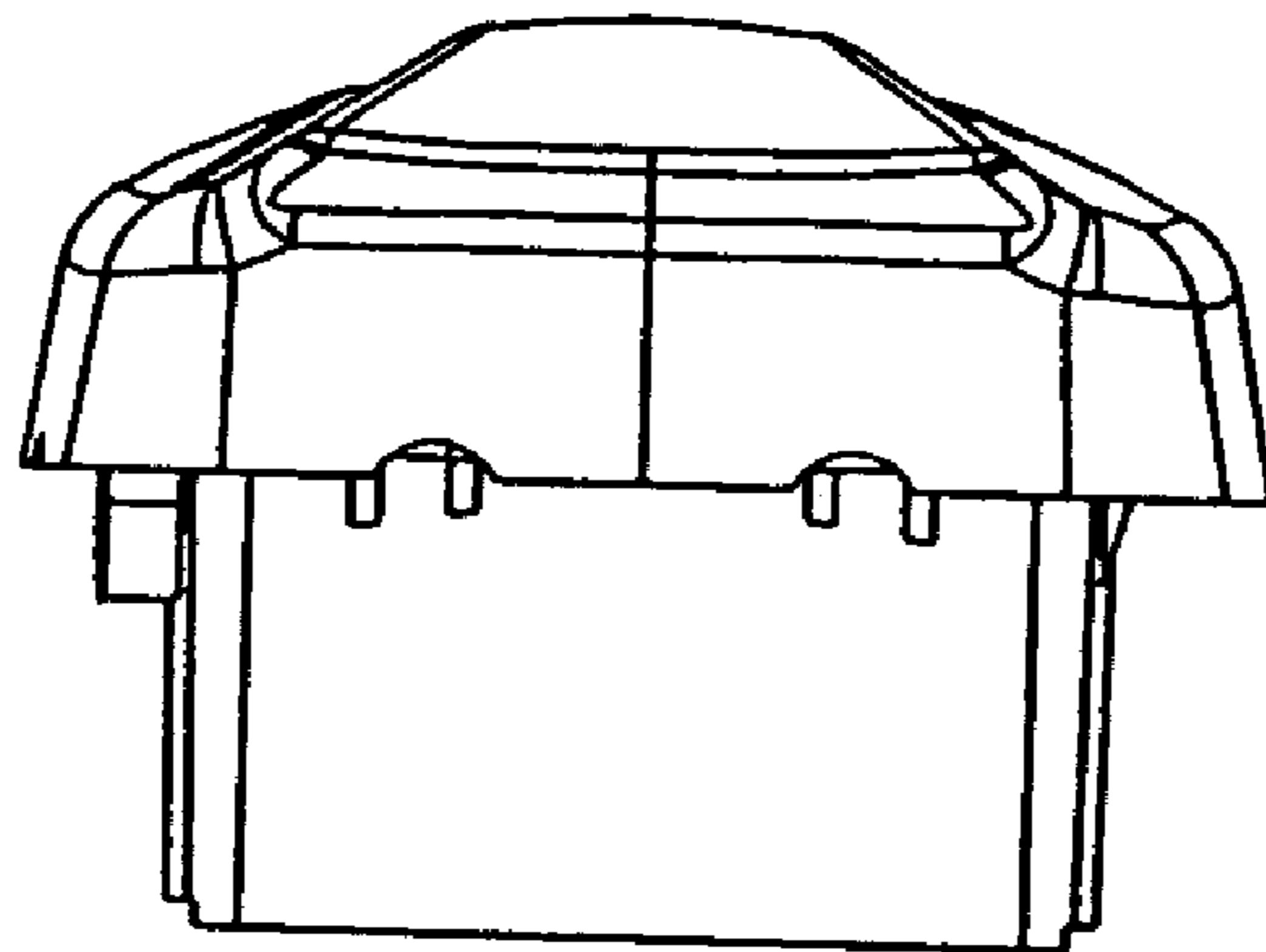


Fig. 4

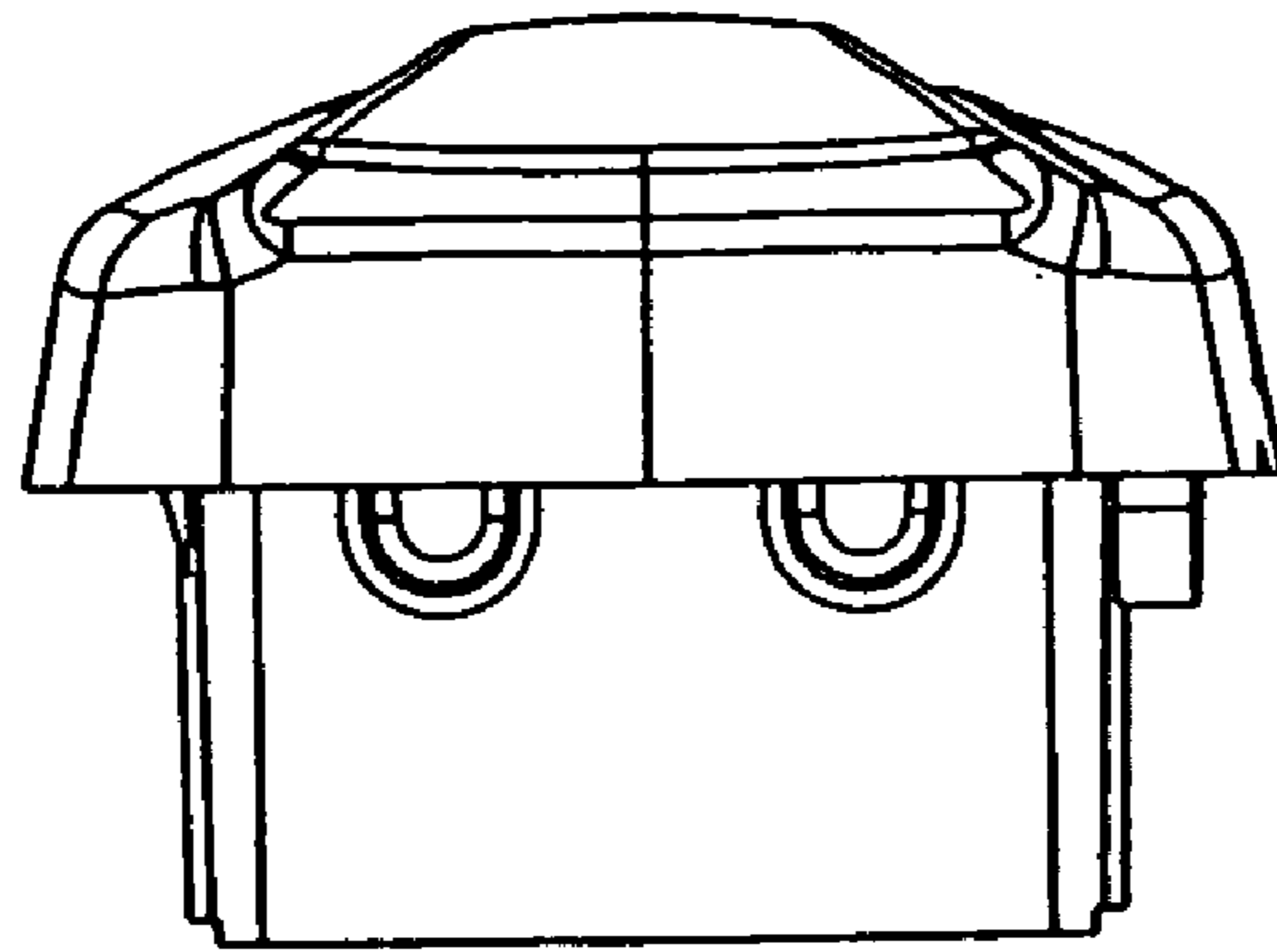


Fig. 5

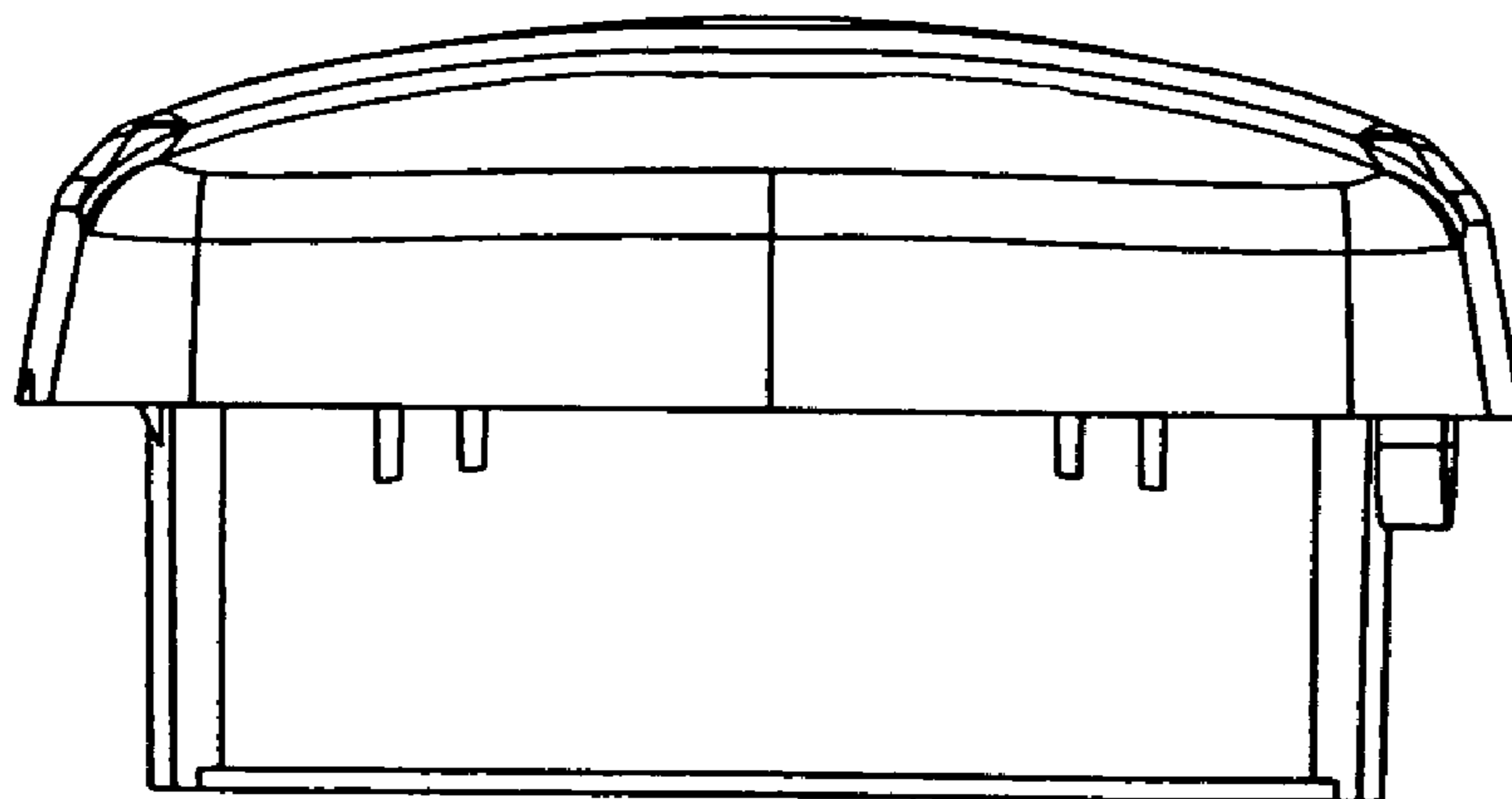


Fig. 6

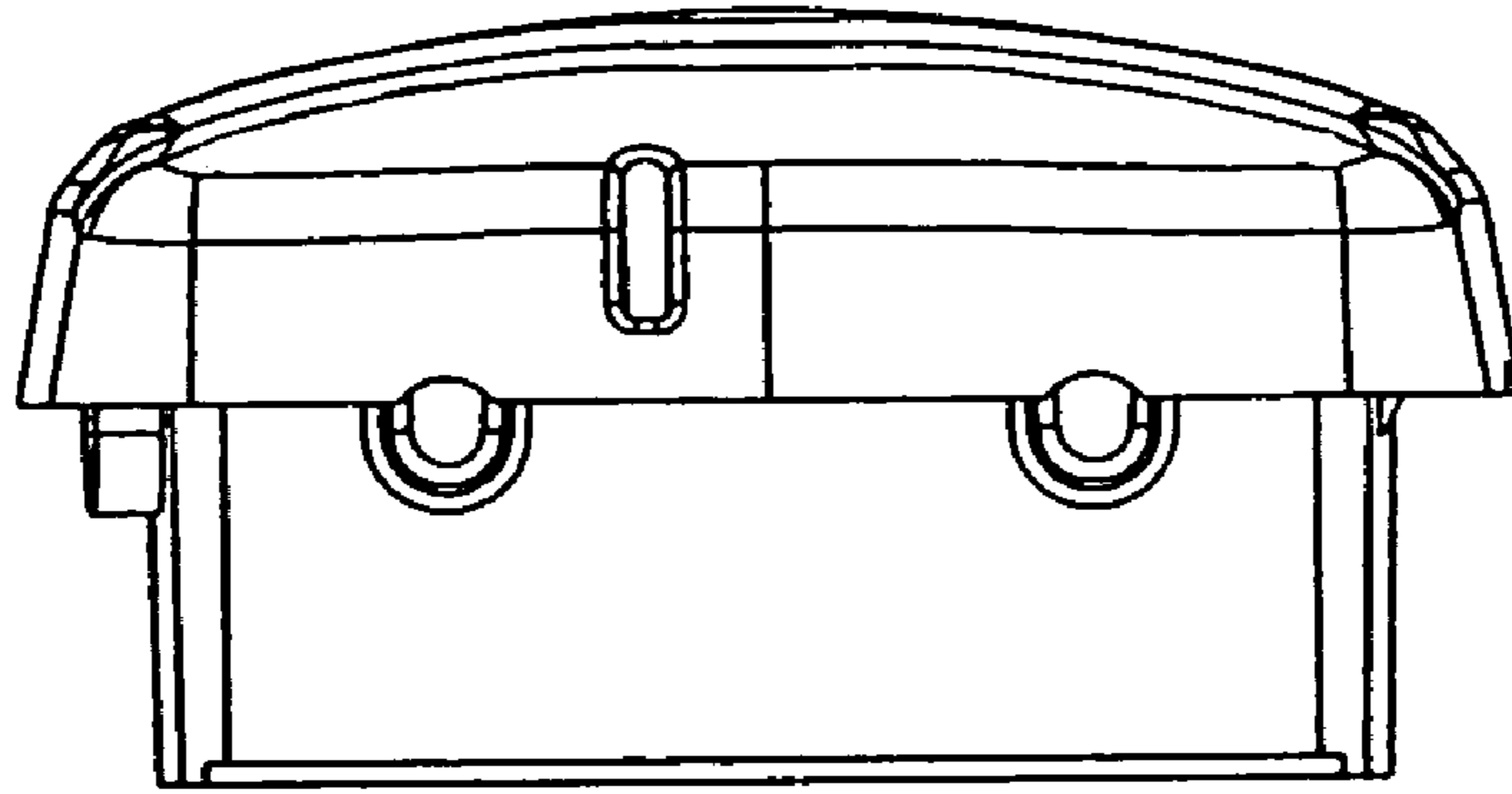


Fig. 7

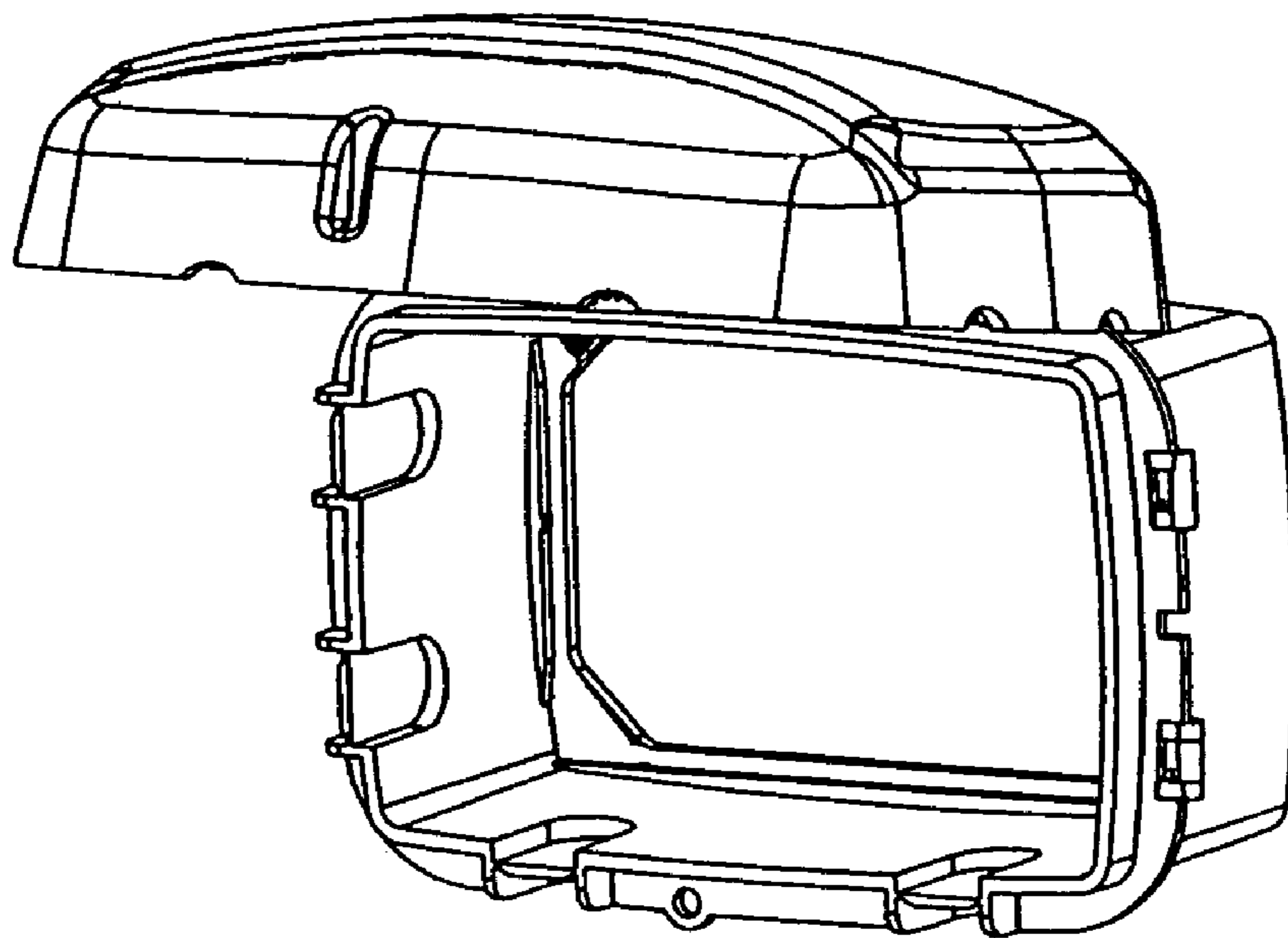


Fig. 8