



US00D556141S

(12) **United States Design Patent**
Whiteman, Jr. et al.

(10) **Patent No.: US D556,141 S**

(45) **Date of Patent: ** Nov. 27, 2007**

(54) **ELECTRICAL CONNECTOR PLUG**

(75) Inventors: **Robert N. Whiteman, Jr.**, Middletown, PA (US); **Christopher D. Ritter**, Hummelstown, PA (US)

(73) Assignee: **Tyco Electronics Corporation**, Middletown, PA (US)

(**) Term: **14 Years**

(21) Appl. No.: **29/258,811**

(22) Filed: **Apr. 25, 2006**

(51) **LOC (8) Cl. 13-03**

(52) **U.S. Cl. D13/147**

(58) **Field of Classification Search** D13/123, D13/133, 146-147, 154, 184, 199; 439/79, 439/293, 344, 350, 353, 357, 660, 682, 685-687, 439/695-696, 712-713

See application file for complete search history.

(56) **References Cited**

U.S. PATENT DOCUMENTS

- 4,734,052 A * 3/1988 Vandame 439/293
- D311,517 S * 10/1990 Kameyama et al. D13/147
- D315,155 S * 3/1991 Kawashima et al. D13/146
- D316,703 S * 5/1991 Eto et al. D13/147
- D316,704 S * 5/1991 Eto et al. D13/147
- D345,140 S * 3/1994 Nakamura D13/147

- D459,699 S * 7/2002 Ko D13/147
- 6,848,932 B2 * 2/2005 Bowling et al. 439/358
- 2006/0281346 A1 * 12/2006 Pan 439/79

* cited by examiner

Primary Examiner—Daniel Bui

(57) **CLAIM**

We claim the ornamental design for an electrical connector plug, as shown.

DESCRIPTION

FIG. 1 is a perspective view from a front top side of an electrical connector plug showing our new invention.

FIG. 2 is a front elevation view thereof.

FIG. 3 is a rear elevation view thereof.

FIG. 4 is a right side elevation view thereof.

FIG. 5 is a left side elevation view thereof.

FIG. 6 is a bottom plan view thereof.

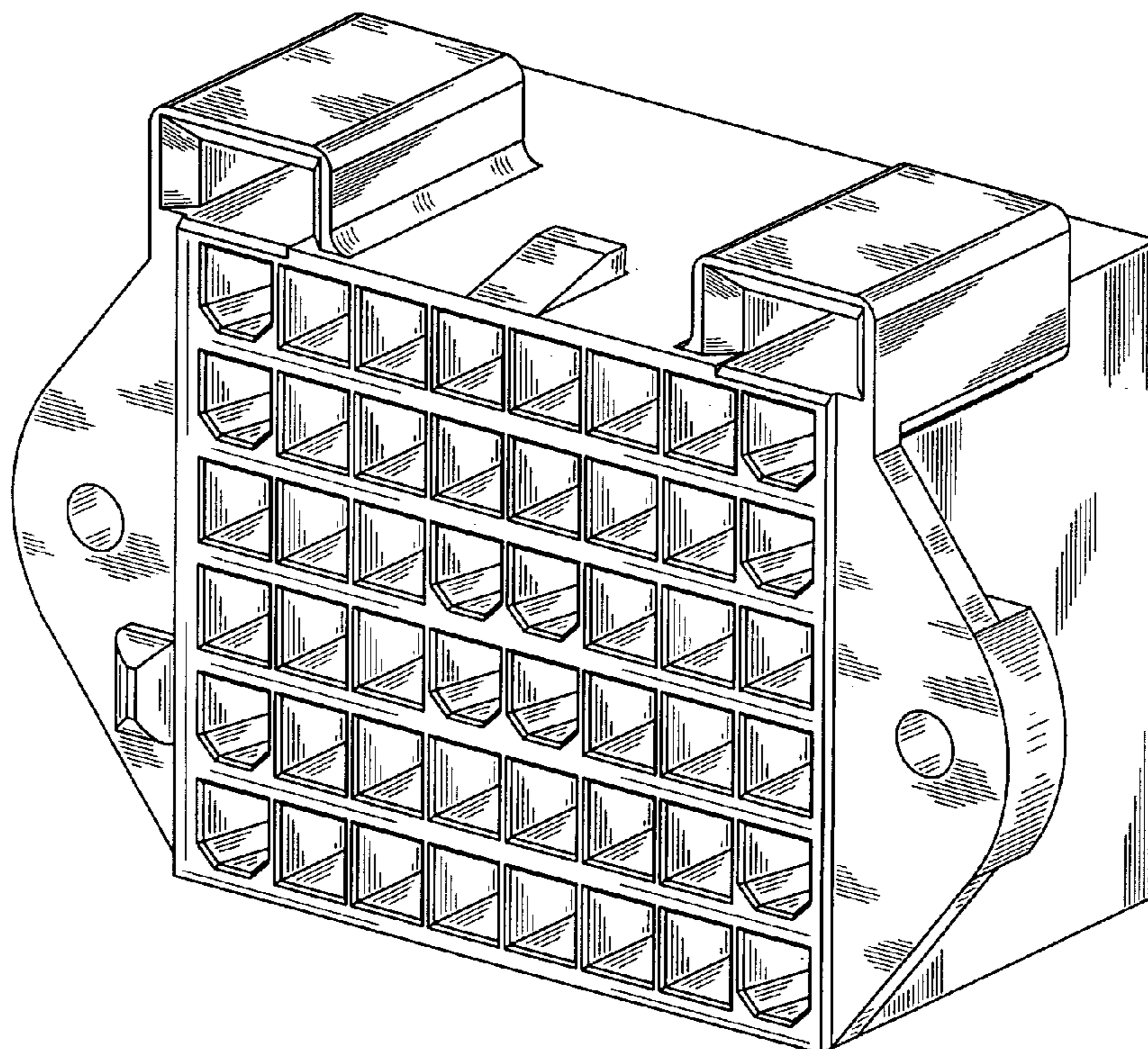
FIG. 7 is a top plan view thereof.

FIG. 8 is a perspective view from a front bottom side thereof; and,

FIG. 9 is a perspective view from a rear side thereof.

The broken line showing of the environment is for illustrative purposes only and forms no part of the claimed design.

1 Claim, 9 Drawing Sheets



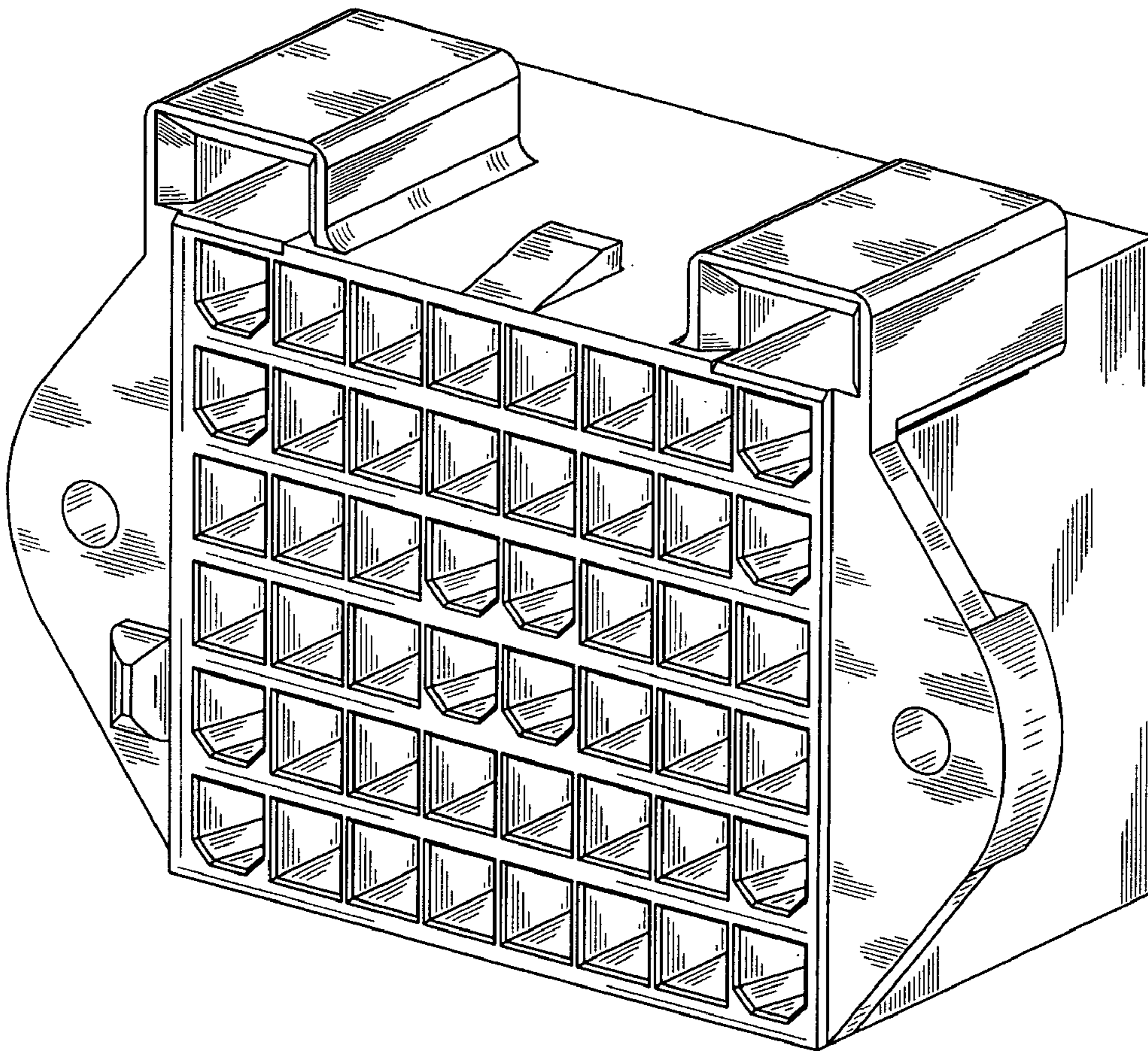


FIG. 1

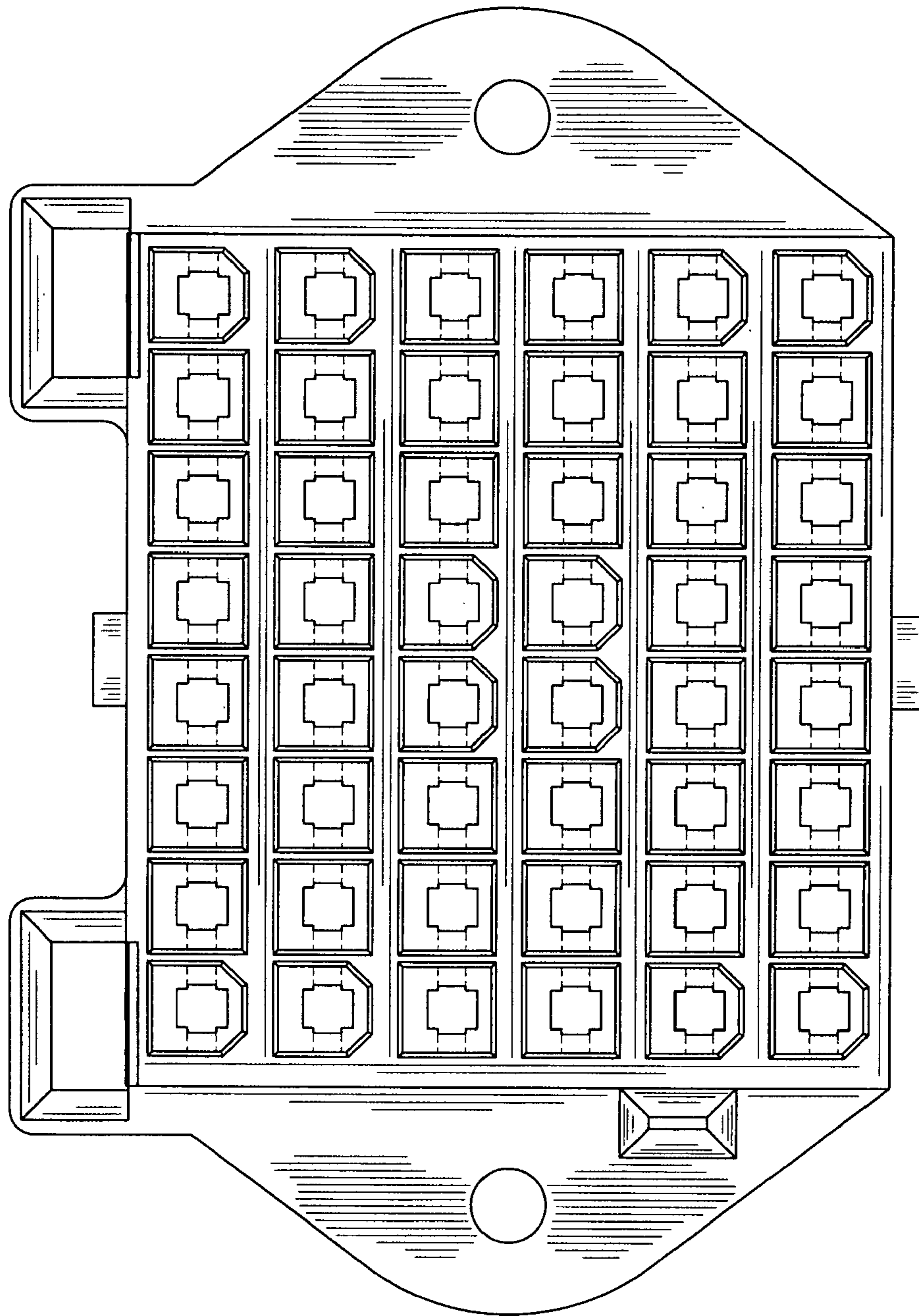


FIG. 2

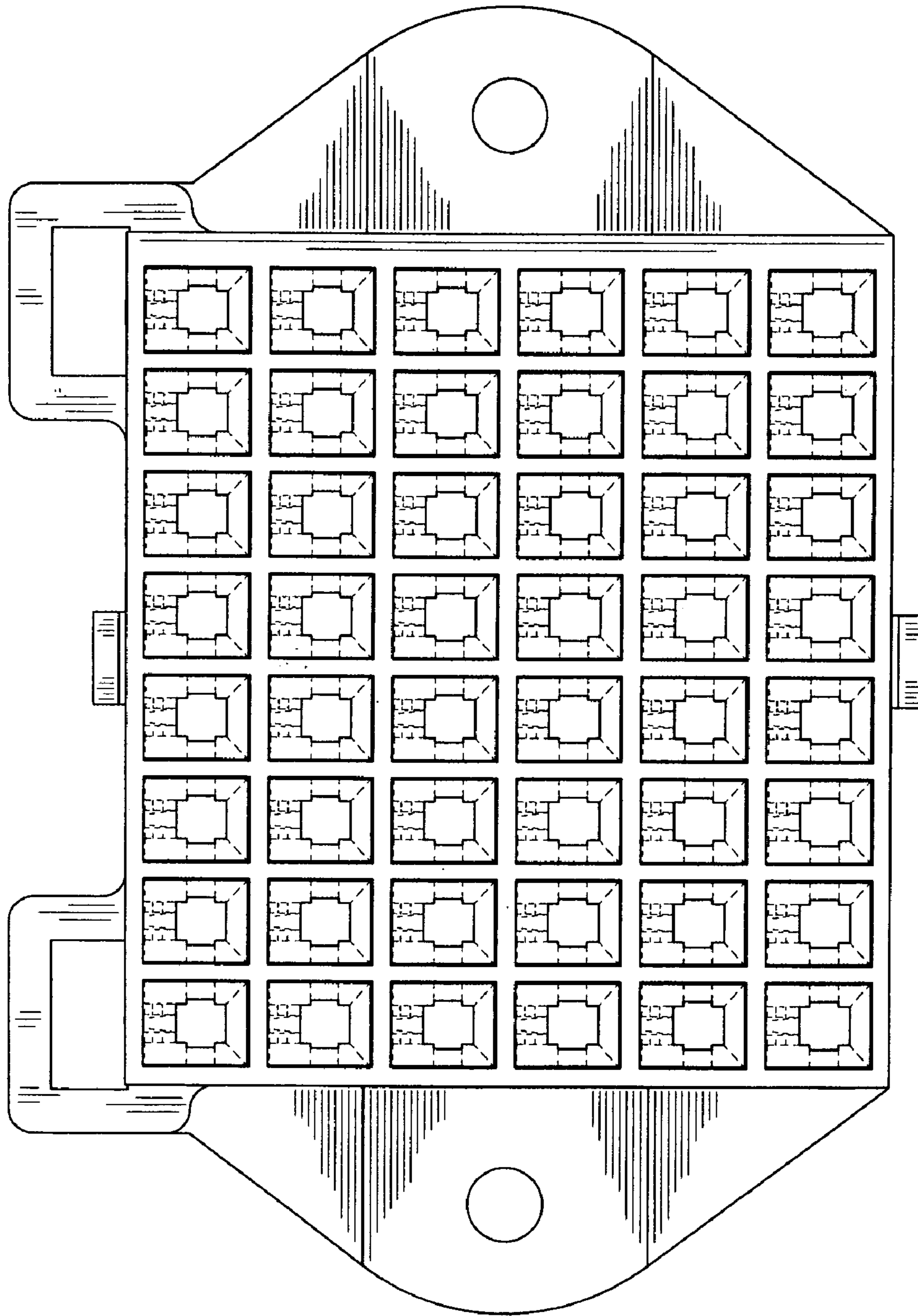


FIG. 3

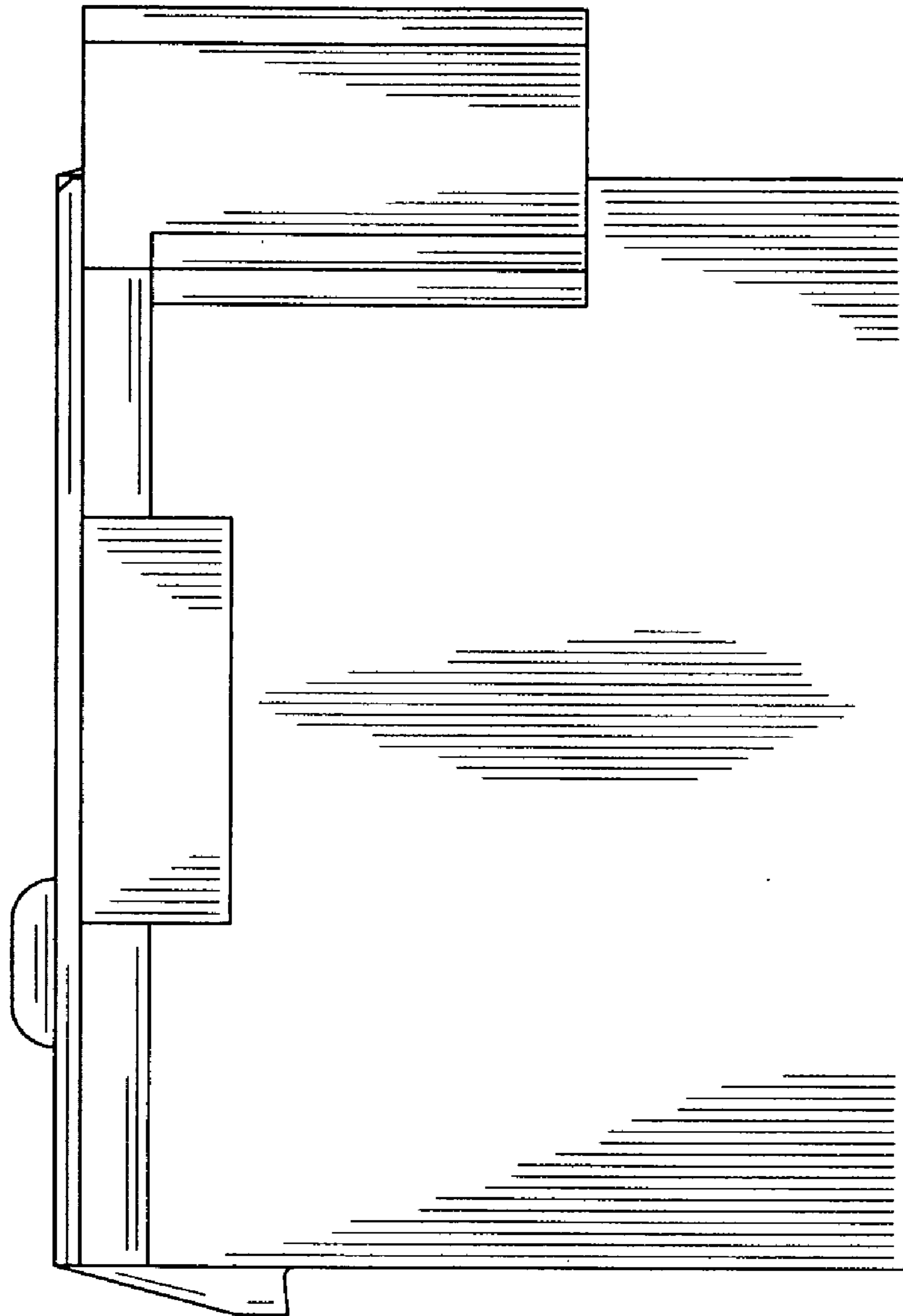


FIG. 4

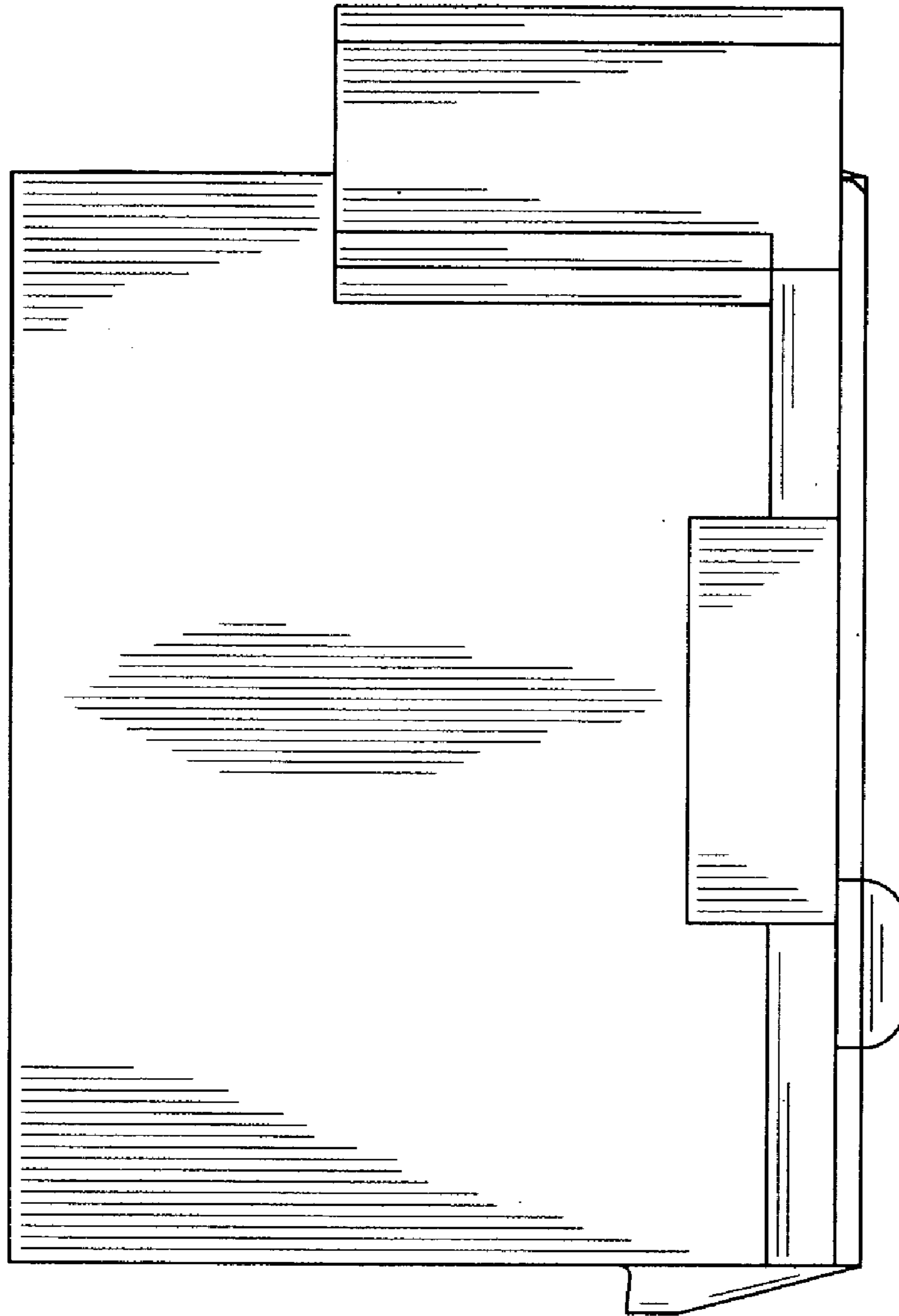


FIG. 5

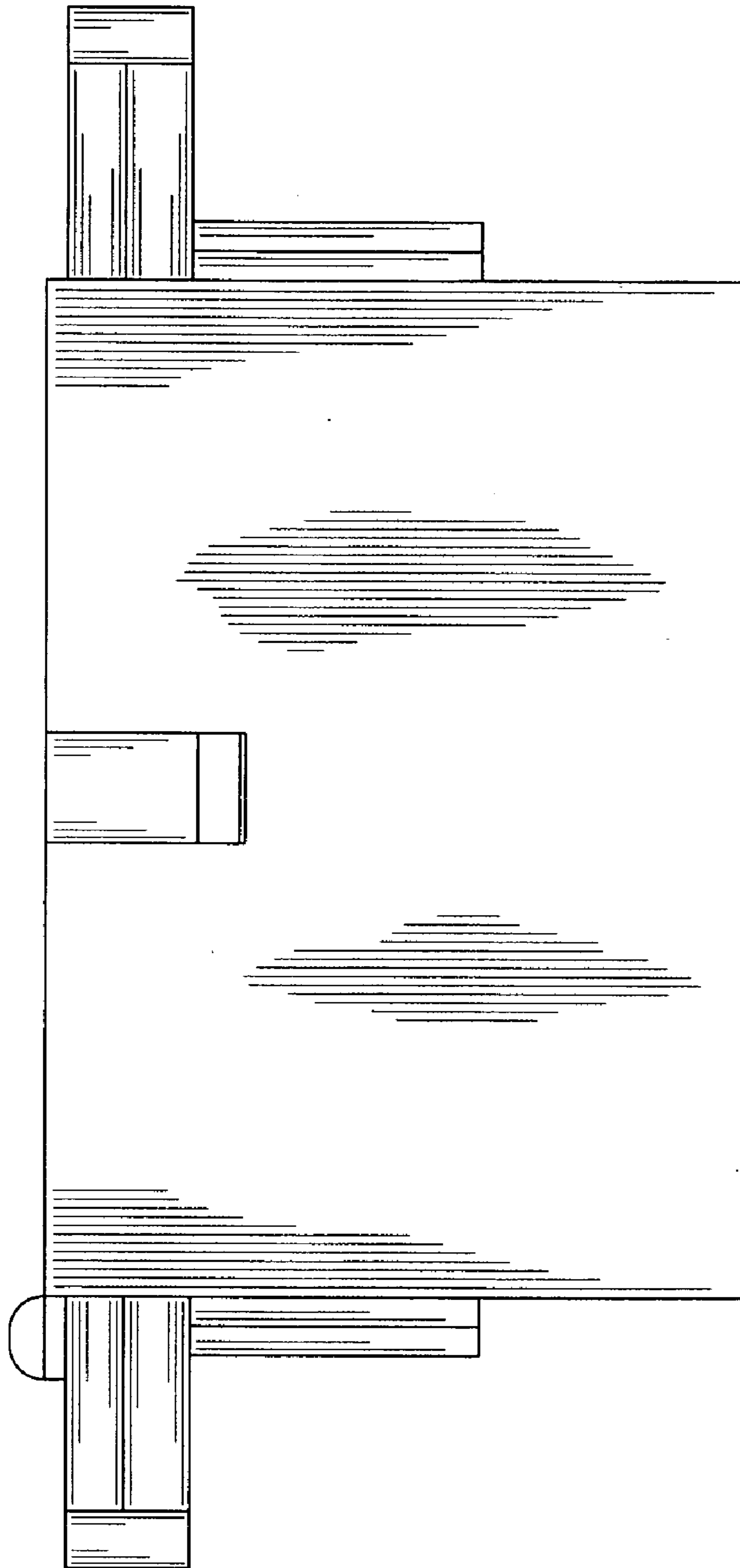


FIG. 6

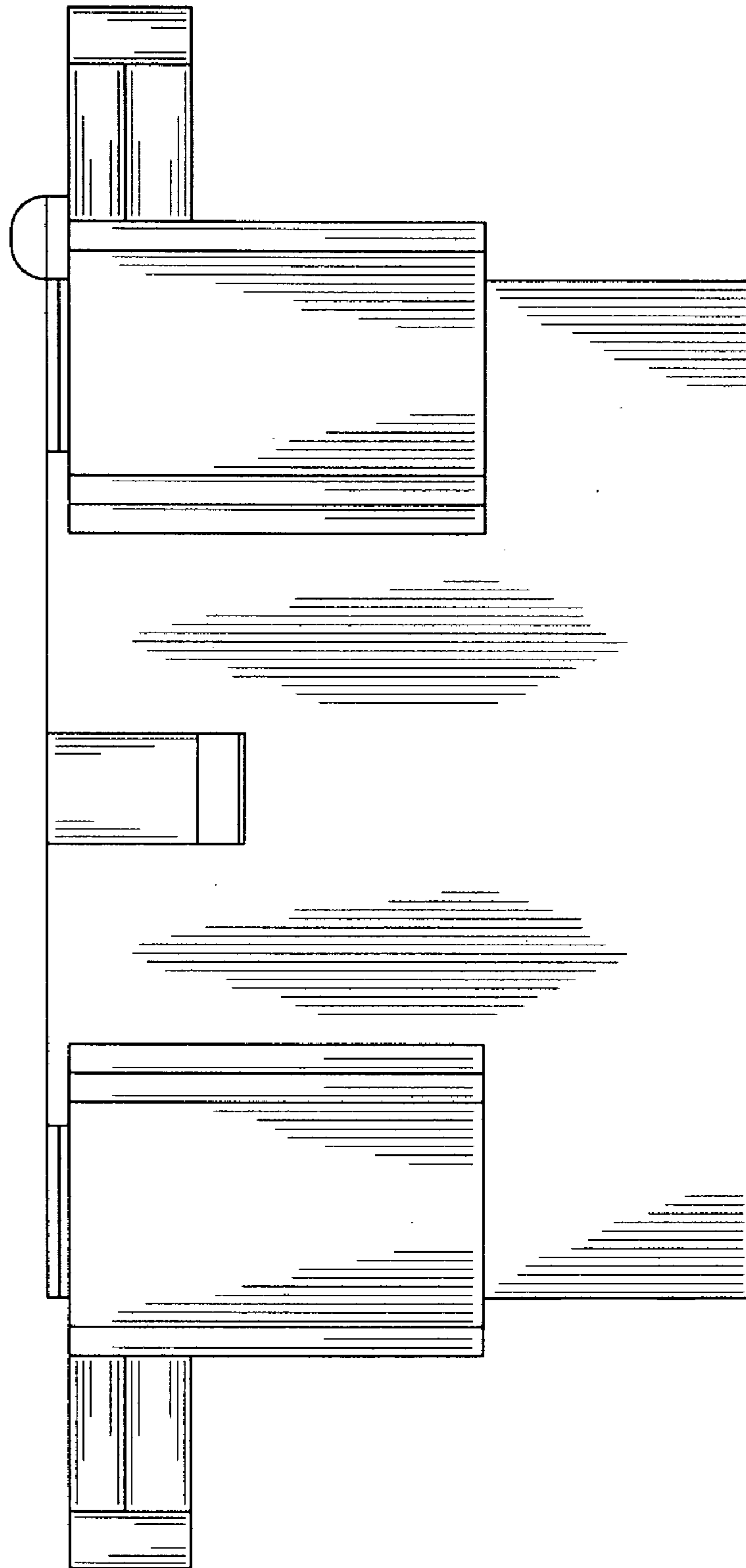


FIG. 7

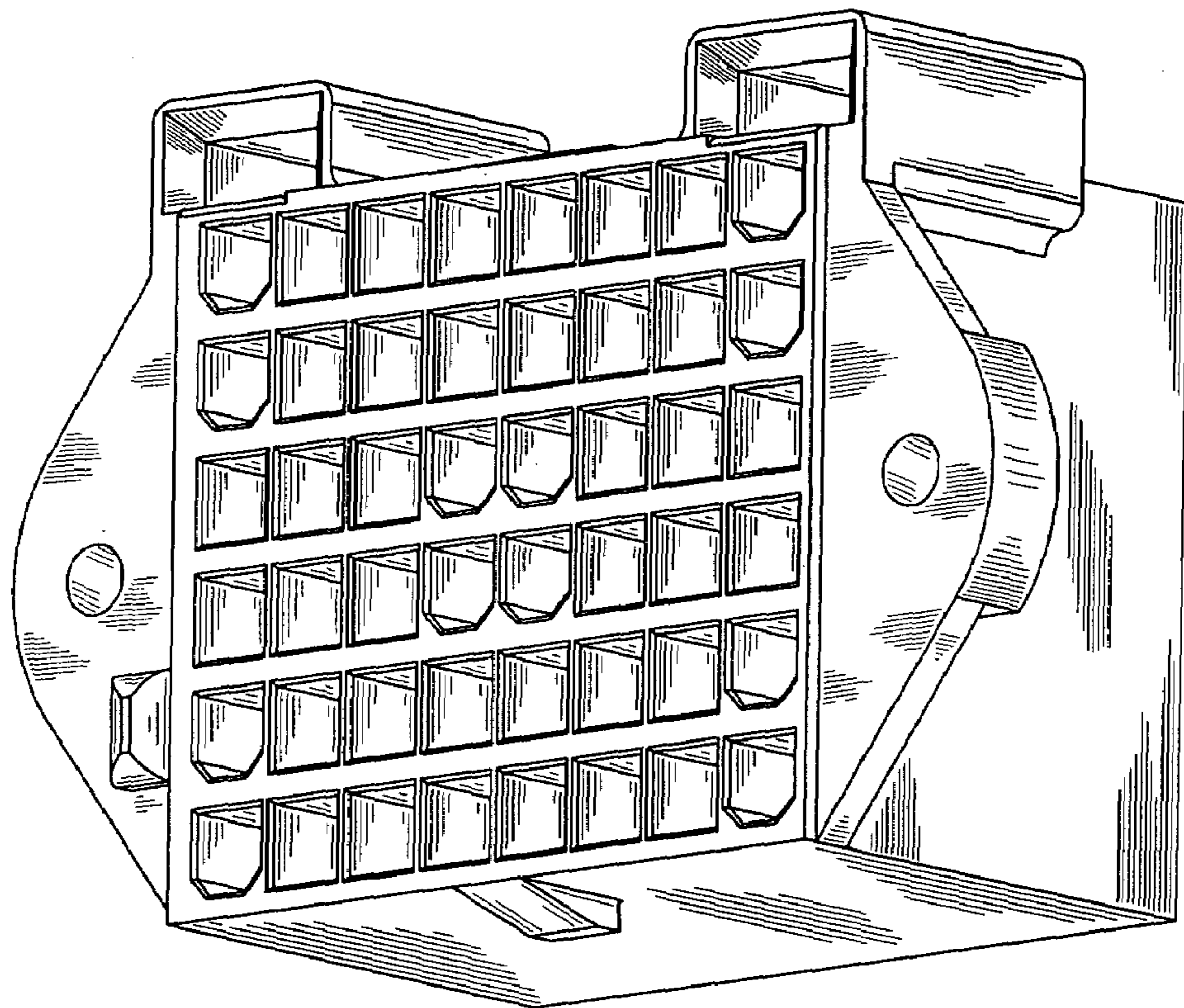


FIG. 8

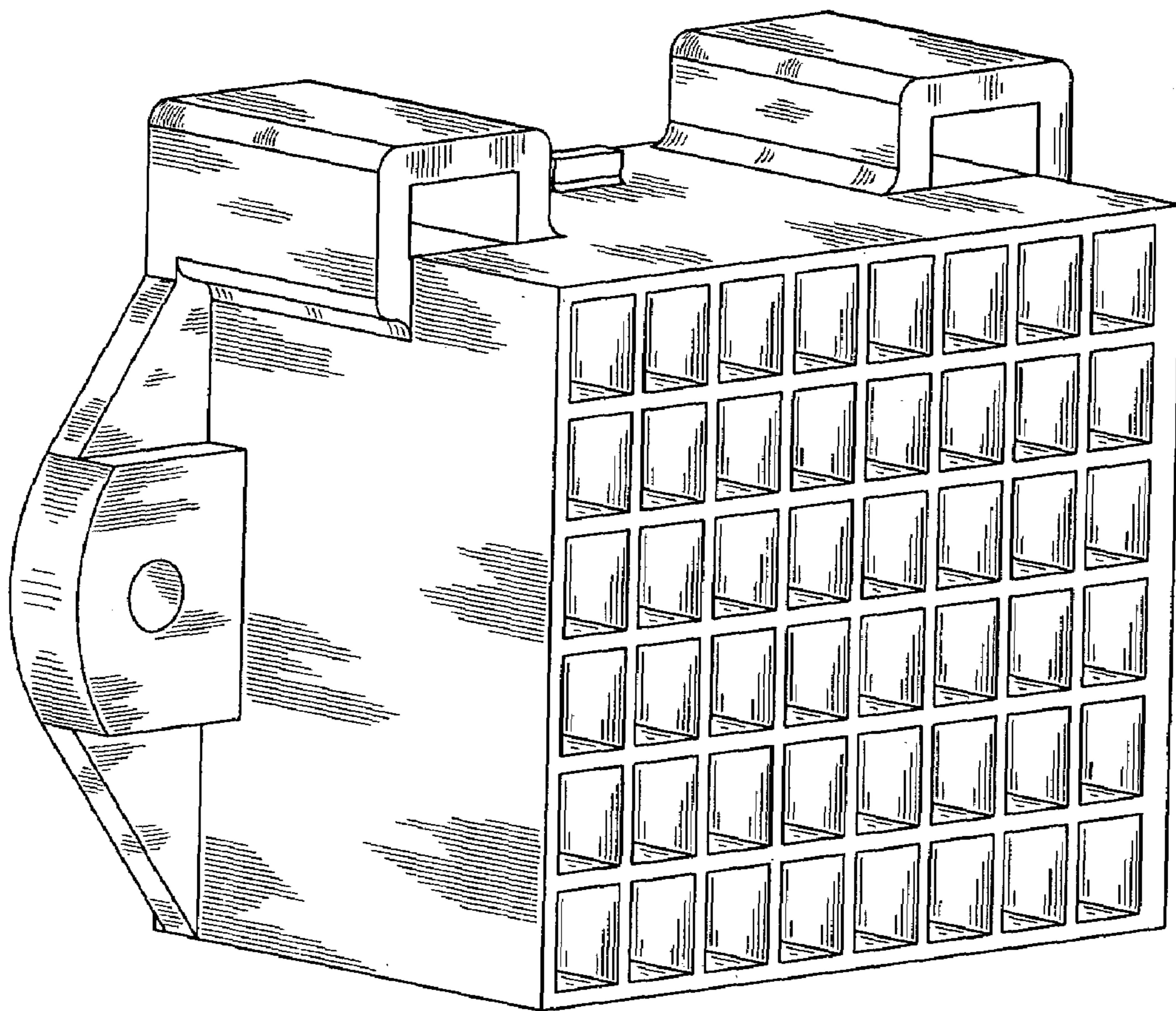


FIG. 9