



US00D556139S

(12) **United States Design Patent**
Gershfeld

(10) **Patent No.:** **US D556,139 S**

(45) **Date of Patent:** **** Nov. 27, 2007**

(54) **INTERCONNECT ENCLOSURE FOR
COMPUTER AND AUDIO VISUAL
EQUIPMENT CONCEALABLE IN A TABLE
TOP**

D516,513 S * 3/2006 Kissinger et al. D13/139.4
D537,785 S * 3/2007 Pincek D13/139.4
2004/0147147 A1* 7/2004 Griepentrog 439/131

* cited by examiner

(76) Inventor: **Jack Gershfeld**, 615 Del Rio Way,
Fullerton, CA (US) 92835

Primary Examiner—Cathron Brooks

Assistant Examiner—Rosemary K Tarcza

(74) *Attorney, Agent, or Firm*—Vladimir Khiterer

(**) Term: **14 Years**

(21) Appl. No.: **29/248,219**

(57) **CLAIM**

(22) Filed: **Aug. 3, 2006**

The ornamental design for an interconnect enclosure for computer and audio visual equipment concealable in a table top, as shown and described.

(51) **LOC (8) Cl.** **13-03**

(52) **U.S. Cl.** **D13/139.4**

(58) **Field of Classification Search** D13/139.4,
D13/162, 164, 184; D14/304, 5 R, 5 A,
D14/627; 361/628, 631, 643, 644, 673; 439/131,
439/135, 142

See application file for complete search history.

DESCRIPTION

(56) **References Cited**

U.S. PATENT DOCUMENTS

- D353,363 S * 12/1994 Toby D13/139.4
- D437,827 S * 2/2001 Gershfeld D13/139.4
- D454,541 S * 3/2002 Gershfeld D13/139.4
- D455,123 S * 4/2002 Gershfeld D13/139.4
- D455,716 S * 4/2002 Gershfeld D13/139.4
- D457,137 S * 5/2002 Gershfeld D13/139.4
- D460,736 S * 7/2002 Pincek et al. D13/139.4
- D463,775 S * 10/2002 Byrne D13/139.4
- D465,201 S * 11/2002 Gershfeld D13/139.4
- D466,868 S * 12/2002 Gershfeld D13/139.4
- D472,213 S * 3/2003 Byrne D13/139.4
- D473,525 S * 4/2003 Pincek et al. D13/162
- D513,493 S * 1/2006 Feldstein et al. D13/139.4

FIG. 1 is a perspective view of an interconnect enclosure for computer and audio visual equipment concealable in a table top in an open position, said perspective view showing a front view, a right side view and a top view thereof. The broken lines are to illustrate an environment only and form no part of the claimed design.

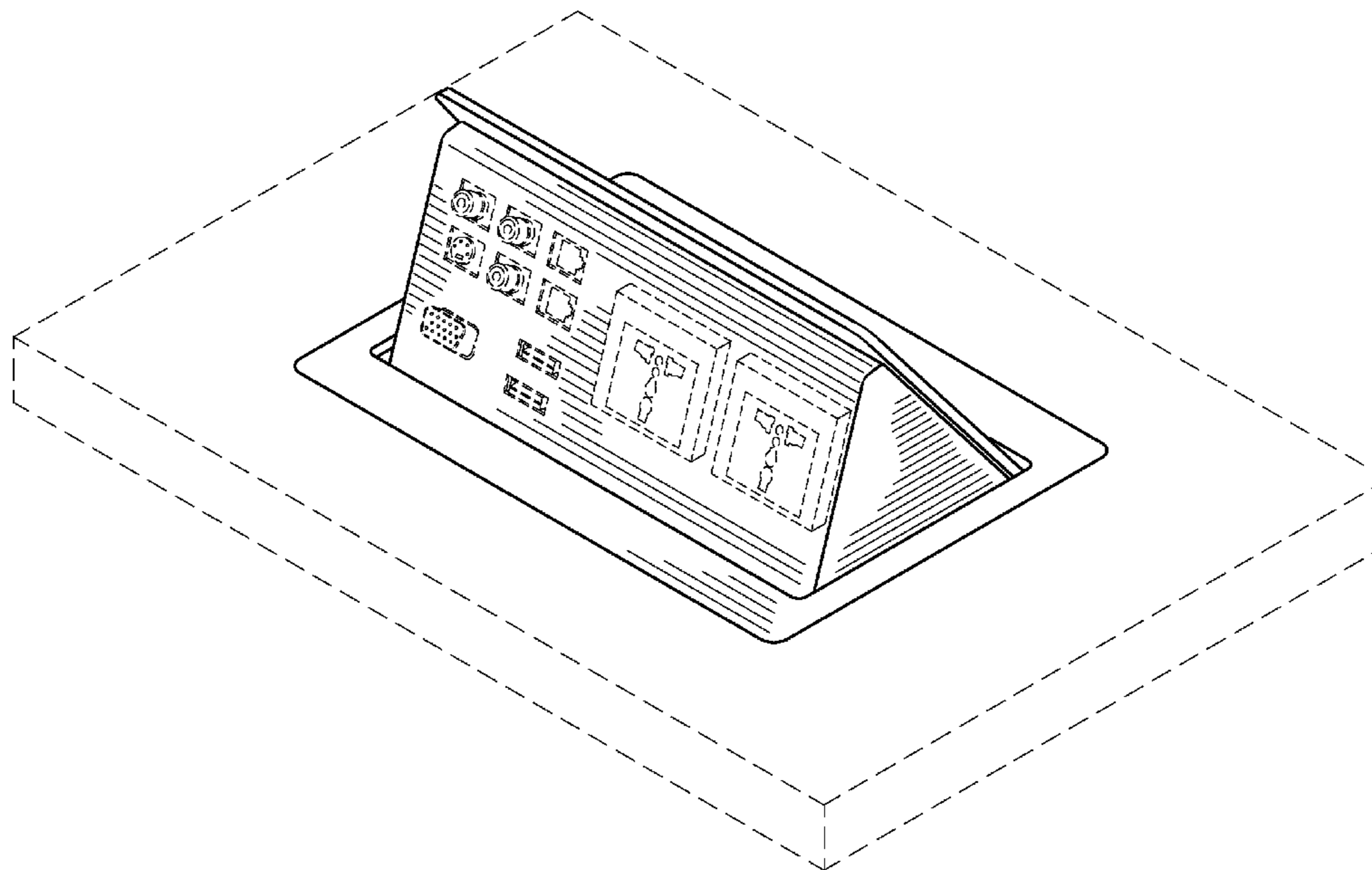
FIG. 2 is a perspective view thereof in a concealed position. The broken lines are to illustrate an environment only and form no part of the claimed design.

FIG. 3 is a front elevational view thereof in the open position. The broken lines are to illustrate an environment only and form no part of the claimed design; and,

FIG. 4 is a top plan view thereof in the concealed position. The broken lines are to illustrate an environment only and form no part of the claimed design.

The appearance of the bottom forms no part of the claimed design.

1 Claim, 4 Drawing Sheets



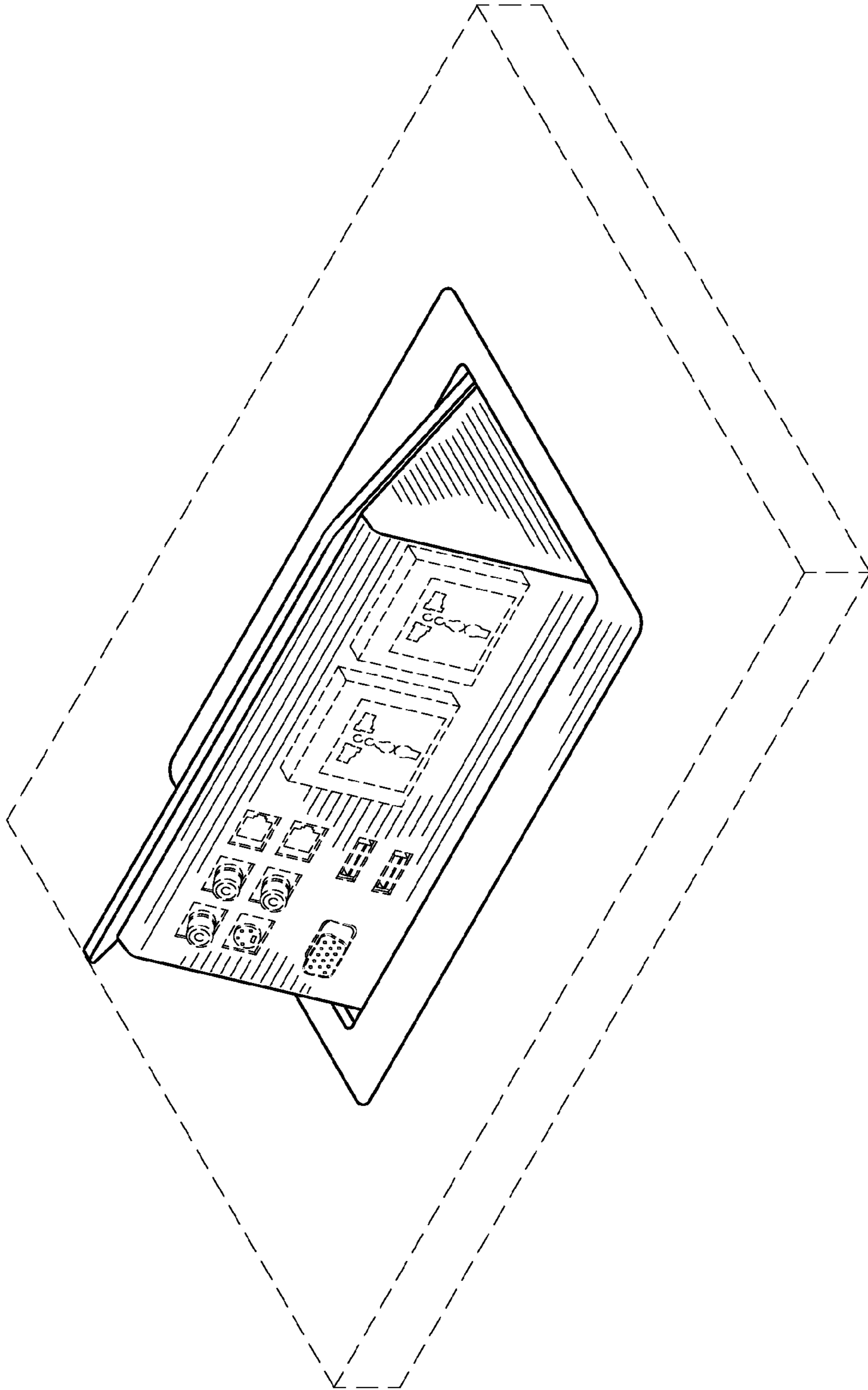


FIG. 1

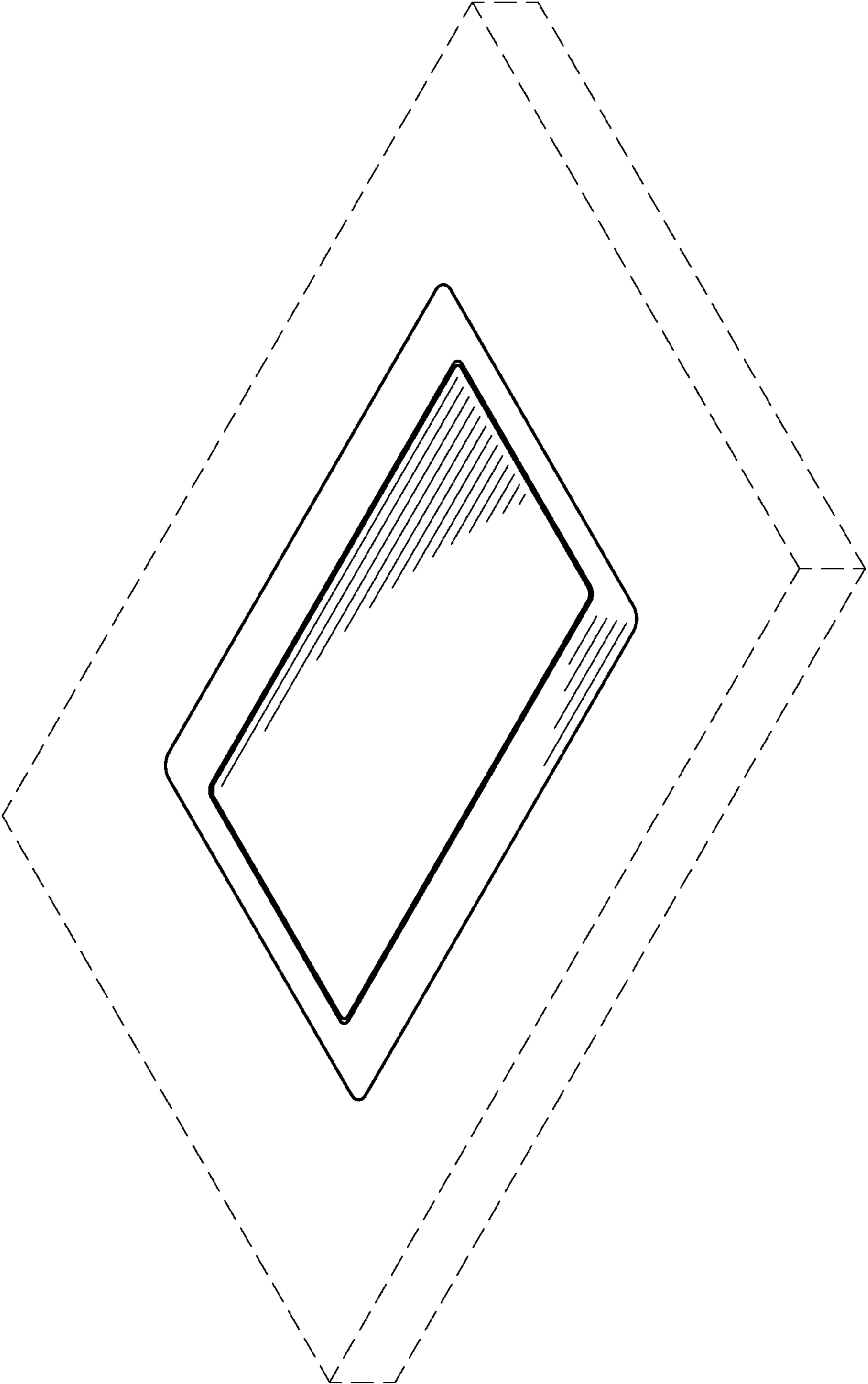


FIG. 2

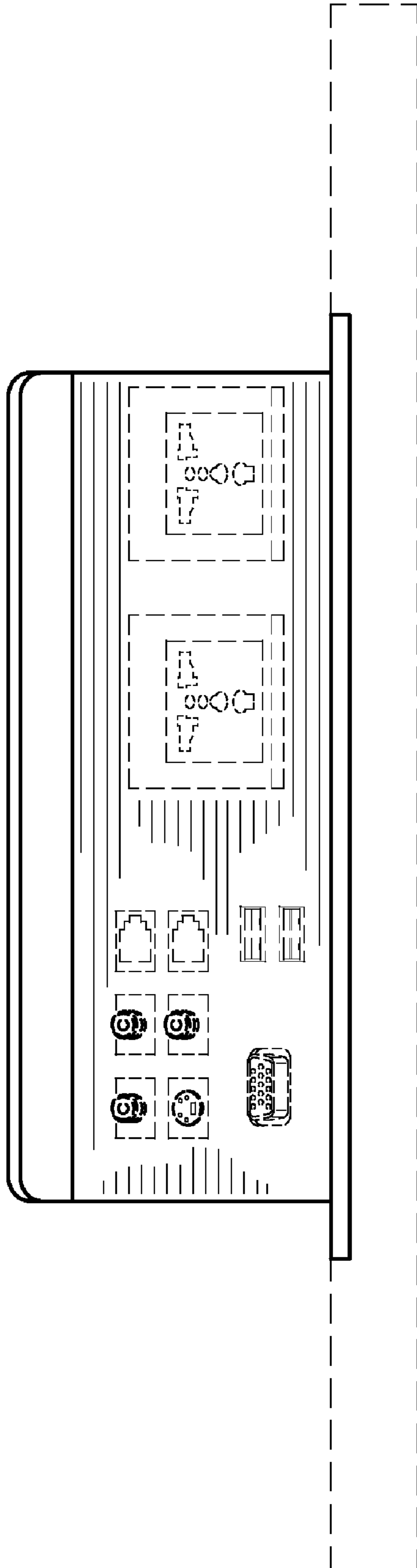


FIG. 3

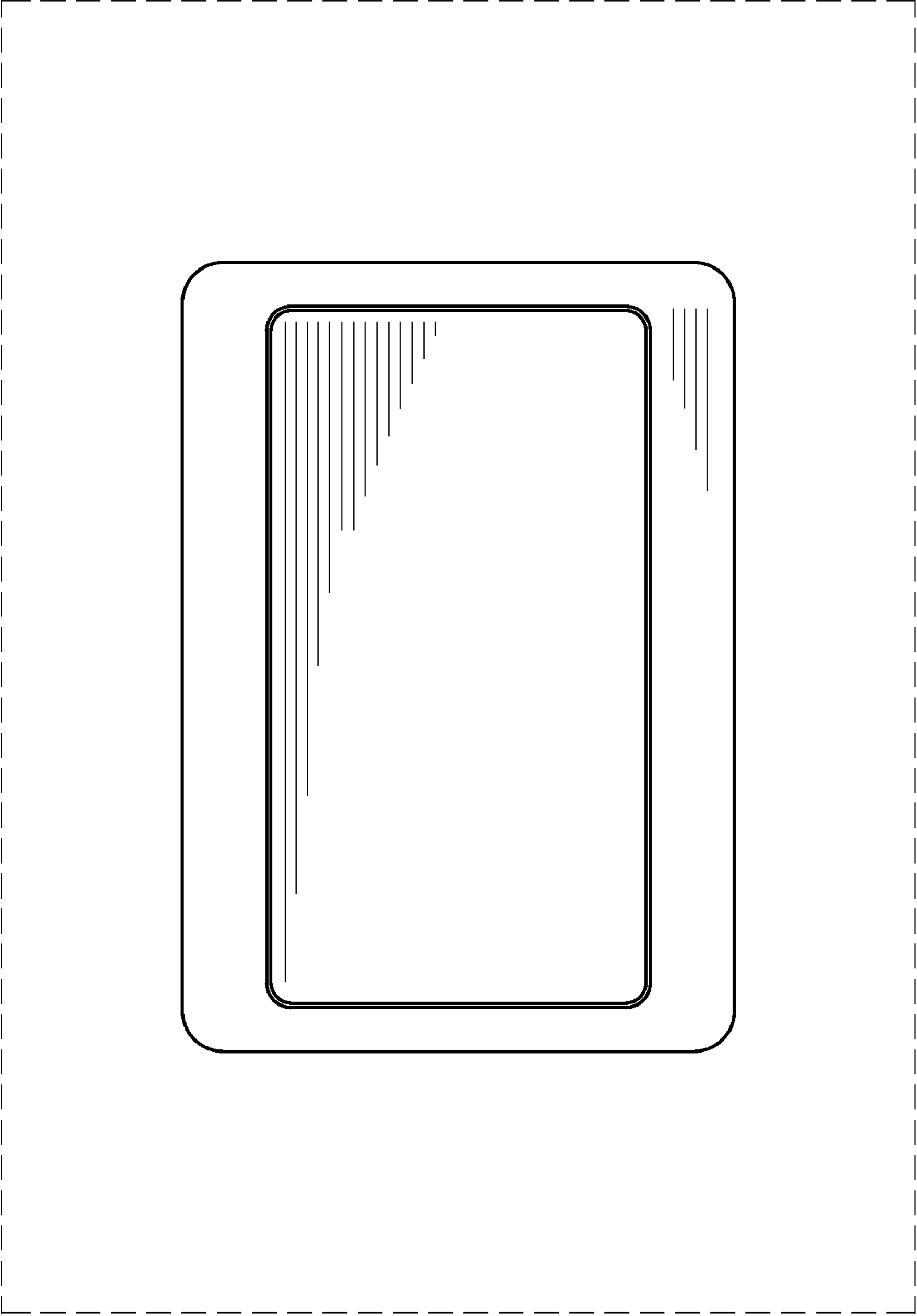


FIG. 4