



US00D556138S

(12) **United States Design Patent** (10) **Patent No.:** **US D556,138 S**
Ng (45) **Date of Patent:** **** Nov. 27, 2007**

(54) **CHANGEABLE PLUGS SYSTEM**
(75) Inventor: **Yuk Hung Ng**, Kowloon (CN)
(73) Assignee: **Helms-Man Industrial Co., Ltd.**, Hong Kong (CN)
(**) Term: **14 Years**
(21) Appl. No.: **29/269,566**
(22) Filed: **Dec. 4, 2006**

Related U.S. Application Data

(62) Division of application No. 29/201,213, filed on Mar. 12, 2004, now Pat. No. Des. 543,147.

Foreign Application Priority Data

Sep. 12, 2003 (EM) 000 077 516

(51) **LOC (8) Cl.** **13-03**
(52) **U.S. Cl.** **D13/138.1**
(58) **Field of Classification Search** . D13/137.1-137.4,
D13/138.1, 138.2, 133, 154; 439/171-172,
439/160, 446, 606, 105-108, 11, 13, 31;
337/197-198

See application file for complete search history.

References Cited

U.S. PATENT DOCUMENTS

D155,472 S 10/1949 Becvar et al.
D305,326 S 1/1990 Clayton, Jr.
D363,058 S * 10/1995 Humphreys D13/137.3
5,611,701 A * 3/1997 Hahn 439/131
5,613,863 A 3/1997 Klaus et al.
D379,003 S * 4/1997 Hahn D13/138.1
5,634,806 A * 6/1997 Hahn 439/173
D382,540 S * 8/1997 Hahn D13/138.1
5,848,907 A * 12/1998 Chen 439/172
D408,786 S 4/1999 Goto
5,934,921 A * 8/1999 Doong 439/172

5,998,964 A 12/1999 Martensson
6,086,395 A * 7/2000 Lloyd et al. 439/172
6,109,977 A 8/2000 Baxter et al.
D432,497 S 10/2000 Totsuka et al.
6,227,888 B1 5/2001 Hahn
6,261,109 B1 7/2001 Liu et al.
D450,036 S * 11/2001 Okamoto D13/137.2
D474,744 S 5/2003 Wu
D481,674 S 11/2003 Sade et al.
6,669,495 B2 12/2003 Philips et al.
D494,138 S 8/2004 Adams et al.
6,790,093 B2 9/2004 Tanaka et al.
D498,462 S * 11/2004 Andre et al. D13/146
D517,985 S 3/2006 Hirabayashi et al.
D538,227 S * 3/2007 Holland D13/138.1
D543,147 S * 5/2007 Ng D13/138.1
2007/0032109 A1* 2/2007 Hung 439/172

* cited by examiner

Primary Examiner—Cathron C. Brooks
Assistant Examiner—Rosemary K. Tarcza
(74) *Attorney, Agent, or Firm*—Browdy and Neimark, PLLC

(57) **CLAIM**

The ornamental design for a changeable plugs system, as shown.

DESCRIPTION

FIG. 1 is a front perspective view of a changeable plugs system in accordance with the present design;
FIG. 2 is a rear perspective view thereof;
FIG. 3 is a left side elevational view thereof. A right side elevational view thereof would be a mirror image of FIG. 3;
FIG. 4 is a bottom plan view thereof;
FIG. 5 is a rear elevational view thereof;
FIG. 6 is a top plan view thereof; and,
FIG. 7 is a front elevational view thereof.

1 Claim, 2 Drawing Sheets

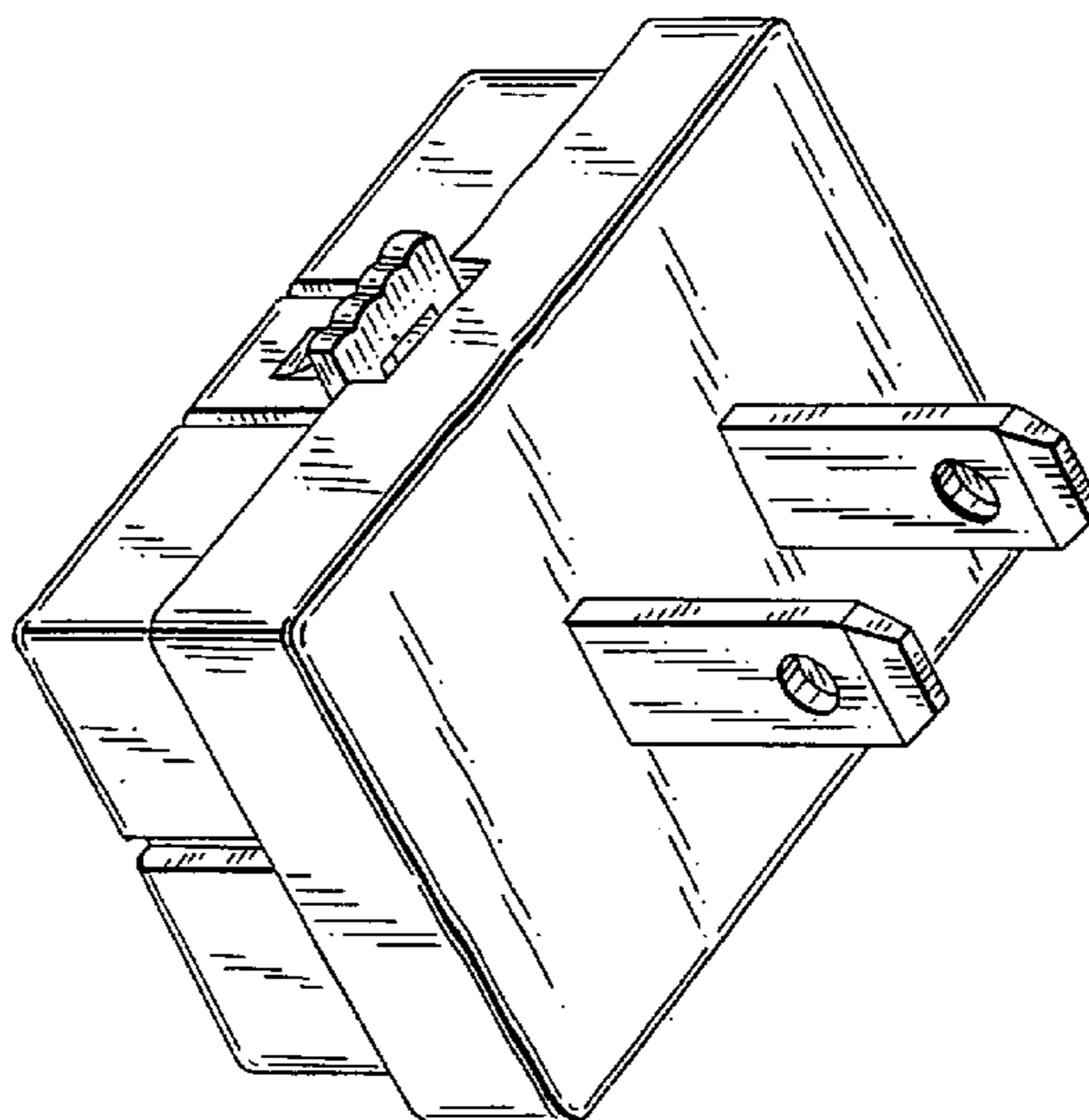


FIG. 1

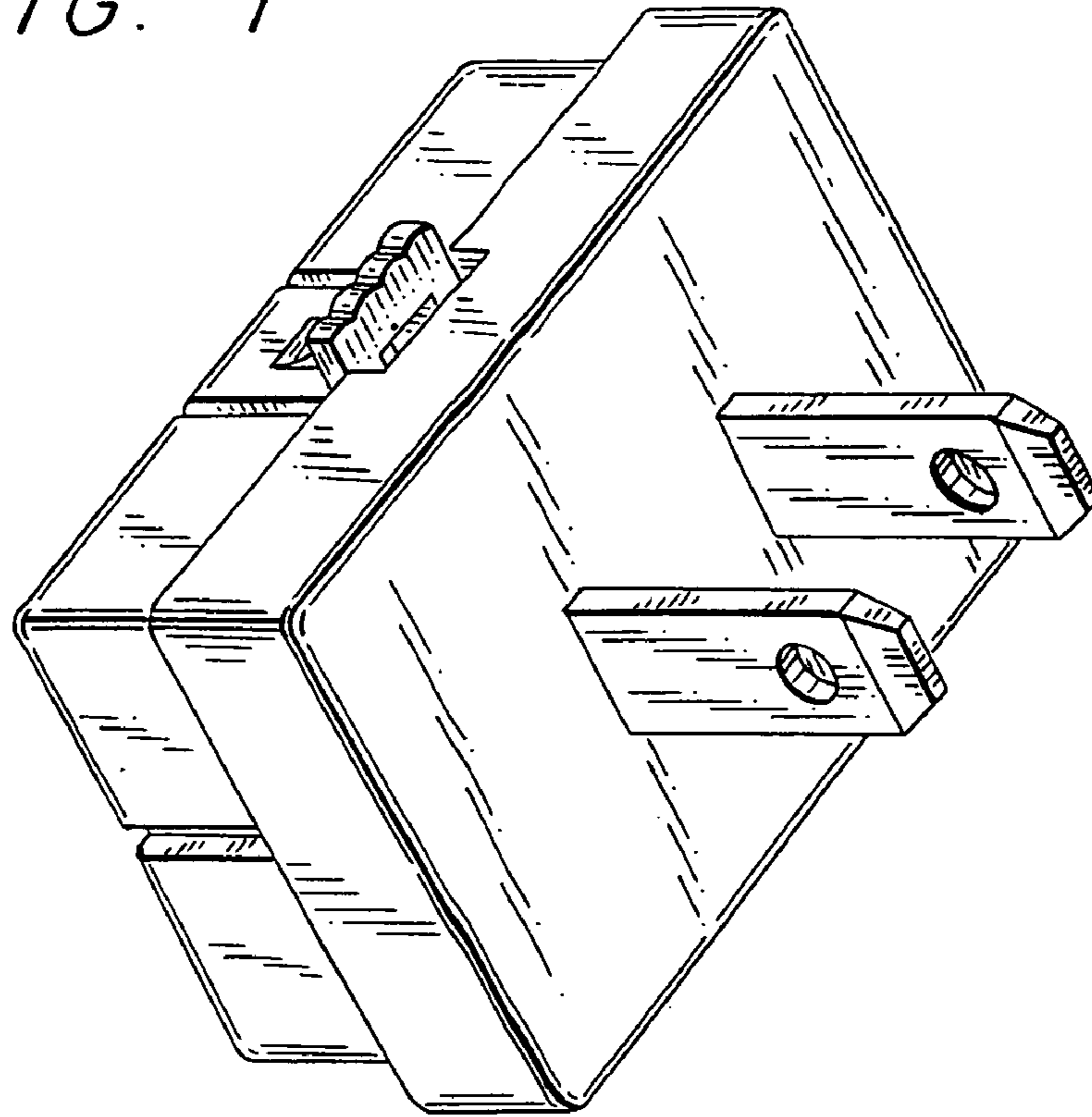


FIG. 2

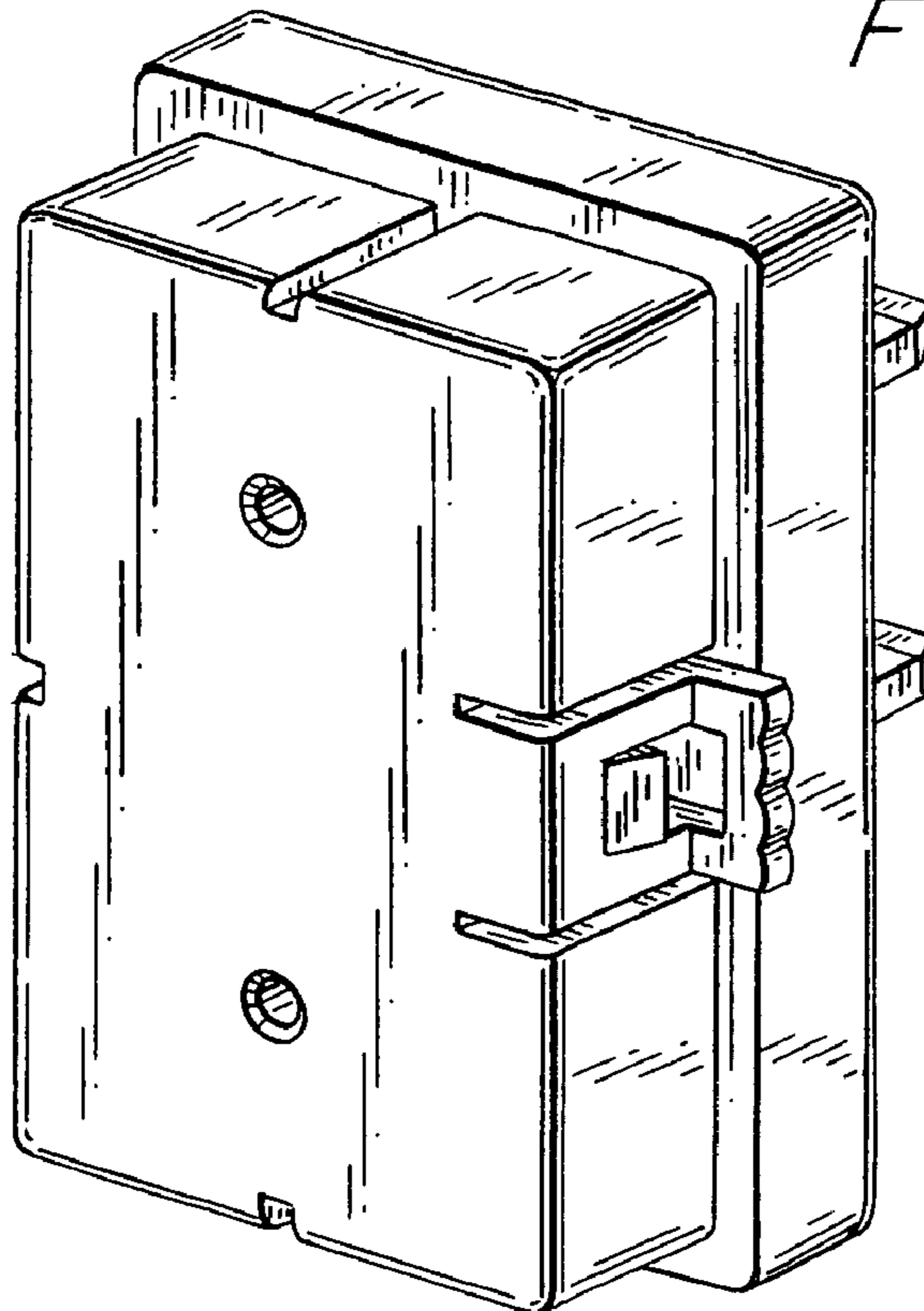


FIG. 3

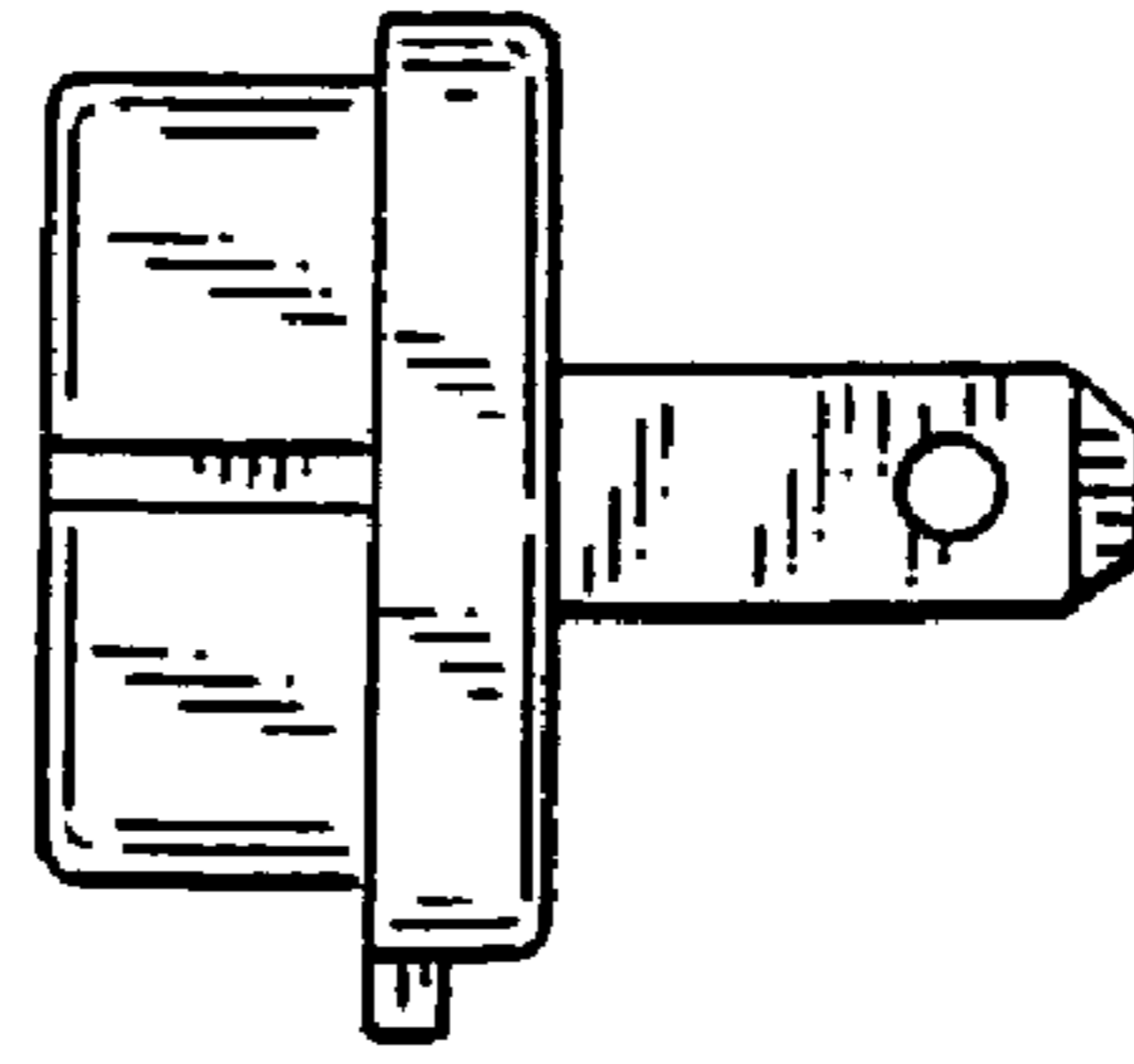


FIG. 4

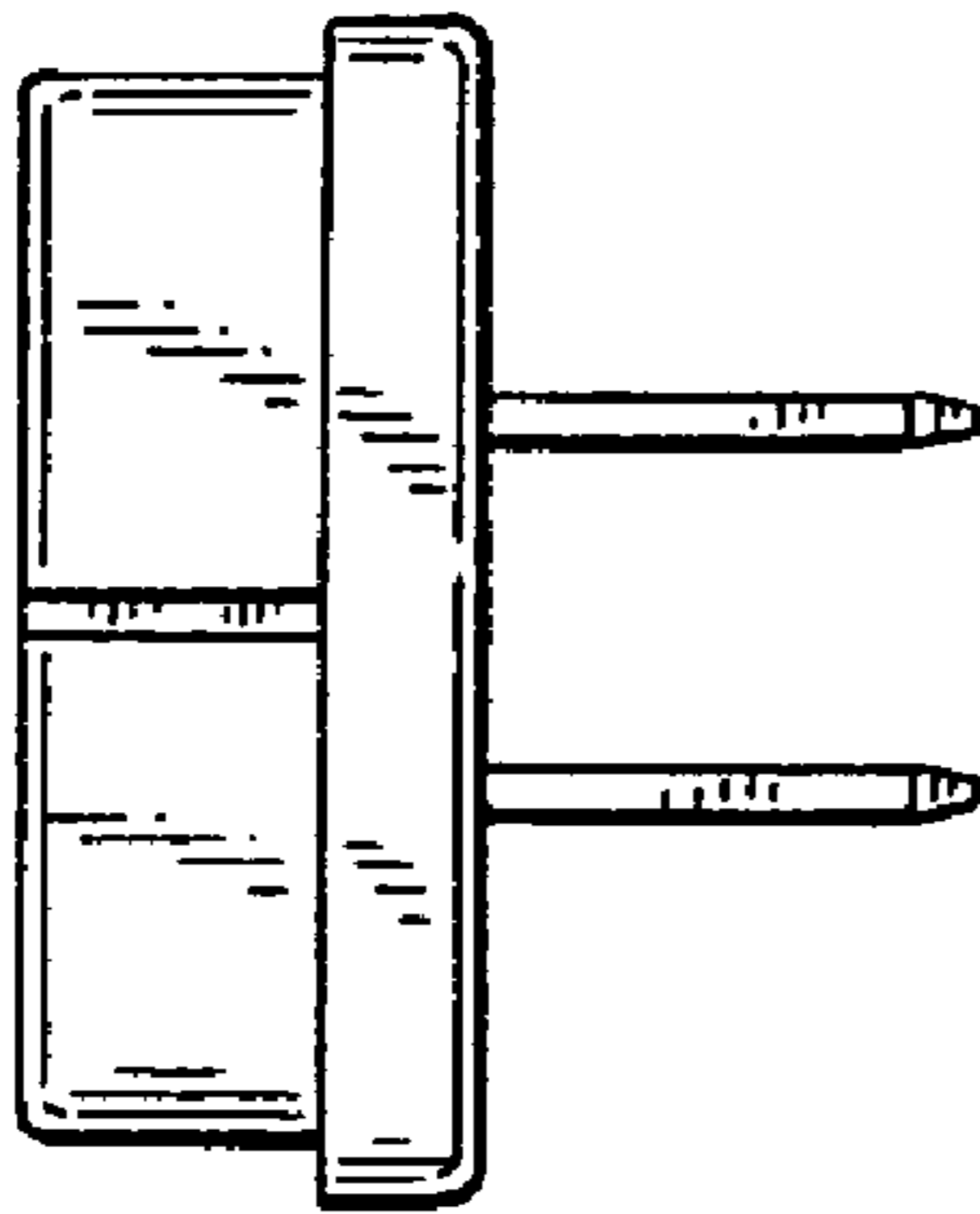


FIG. 5

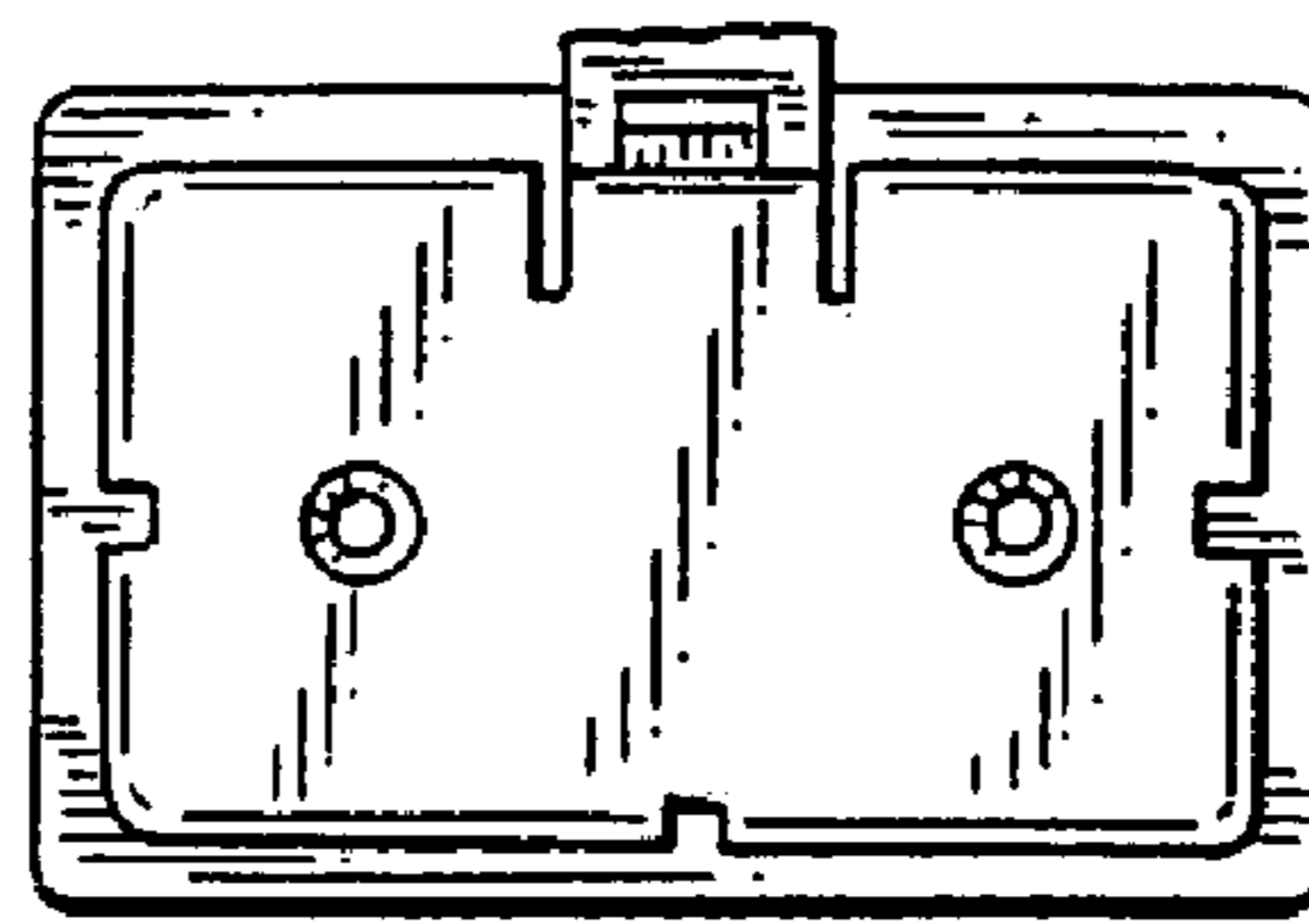


FIG. 6

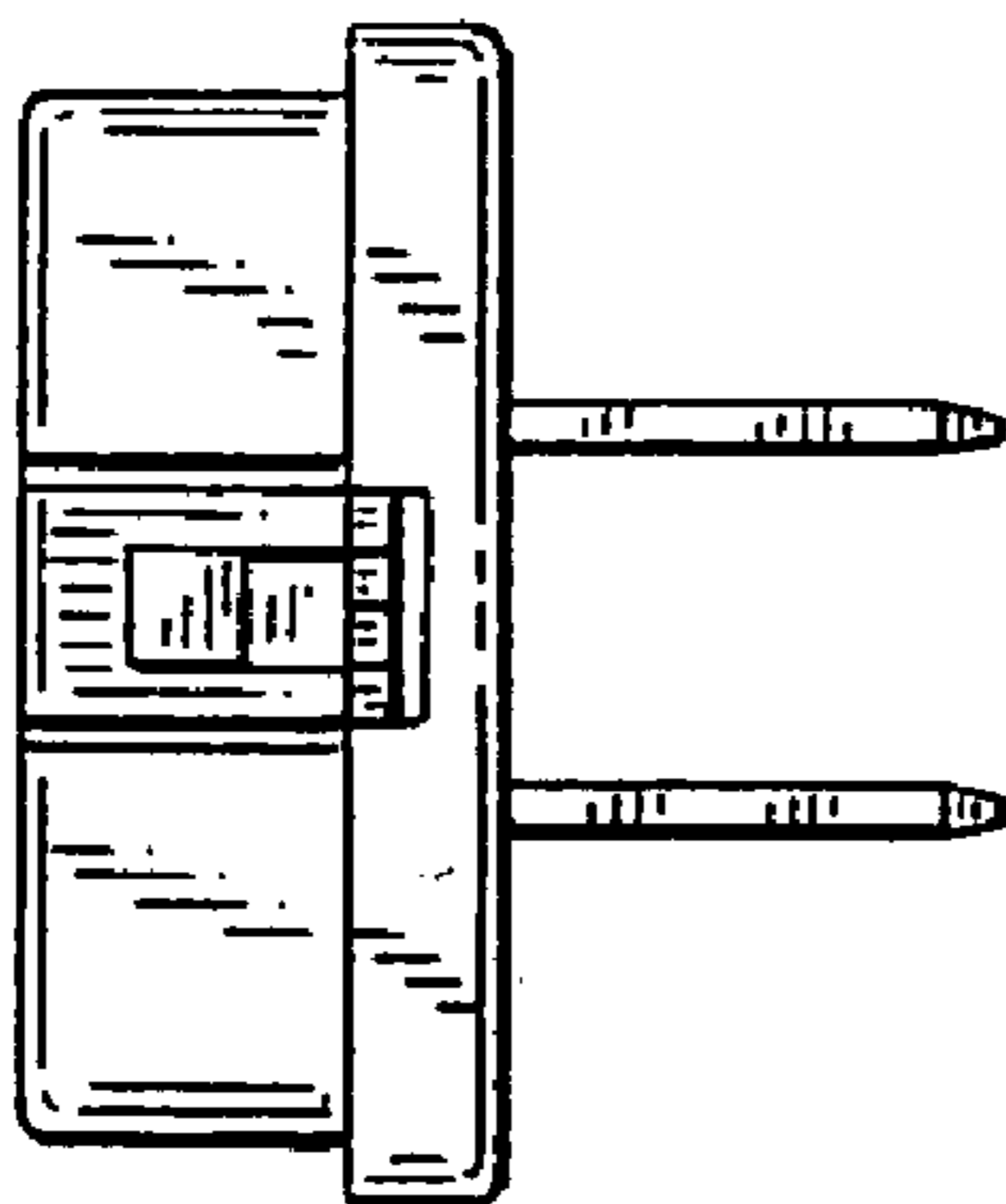


FIG. 7

