



US00D556137S

(12) **United States Design Patent**
Lin et al.

(10) **Patent No.:** **US D556,137 S**

(45) **Date of Patent:** **** Nov. 27, 2007**

(54) **AUDIO JACK CONNECTOR**

(75) **Inventors:** **Kuo Chin Lin**, Tu-Cheng (TW); **Ke Qi Shu**, Tu-Cheng (TW); **Feng Zhu**, Tu-Cheng (TW); **Dao Rui Sun**, Tu-Cheng (TW)

(73) **Assignee:** **Cheng Uei Precision Industry Co., Ltd.**, Taipei Hsien (TW)

(**) **Term:** **14 Years**

(21) **Appl. No.:** **29/270,214**

(22) **Filed:** **Dec. 19, 2006**

(51) **LOC (8) Cl.** **13-03**

(52) **U.S. Cl.** **D13/133**

(58) **Field of Classification Search** D13/133,
D13/146-147, 154, 184, 199; 439/278, 607,
439/668-669, 894

See application file for complete search history.

(56) **References Cited**

U.S. PATENT DOCUMENTS

D345,546 S *	3/1994	Lin et al.	D13/133
D451,472 S *	12/2001	Suzuki	D13/133
D459,303 S *	6/2002	Florescu	D13/133
D470,107 S *	2/2003	Li et al.	D13/133

D533,504 S *	12/2006	Lee	D13/133
D533,835 S *	12/2006	Lee	D13/133
2003/0100227 A1 *	5/2003	Yeh	439/668
2005/0009407 A1 *	1/2005	Wang	439/668

* cited by examiner

Primary Examiner—Daniel Bui

(74) *Attorney, Agent, or Firm*—Rosenberg, Klein & Lee

(57) **CLAIM**

The ornamental design for an audio jack connector, as shown and described.

DESCRIPTION

FIG. 1 is a perspective view of an audio jack connector showing our new design;

FIG. 2 is a front elevational view thereof;

FIG. 3 is a rear elevational view thereof;

FIG. 4 is a left side elevational view thereof;

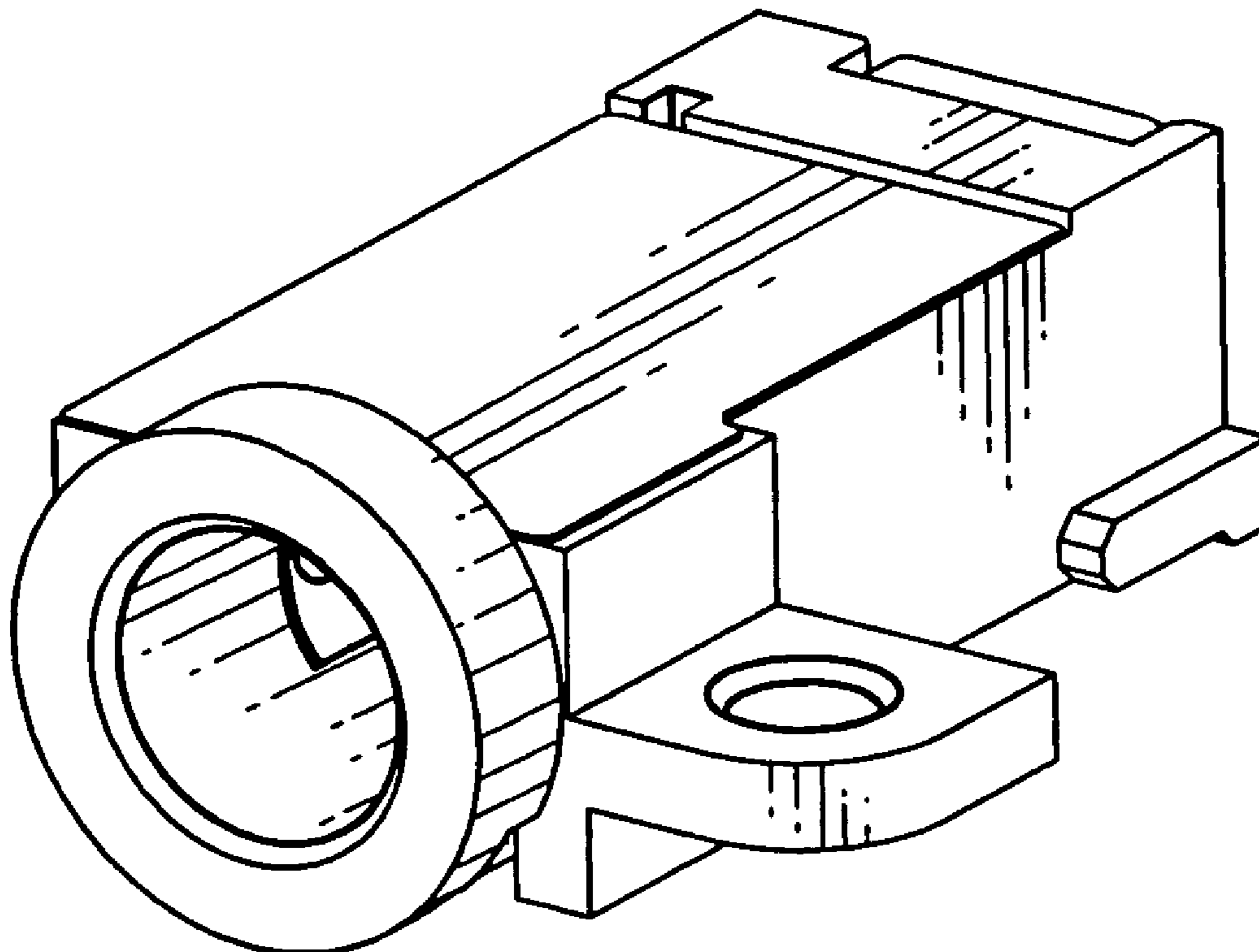
FIG. 5 is a right side elevational view thereof;

FIG. 6 is a top plan view thereof; and,

FIG. 7 is a bottom plan view thereof.

The broken line showing of the environment is for illustrative purposes only and forms no part of the claimed design.

1 Claim, 7 Drawing Sheets



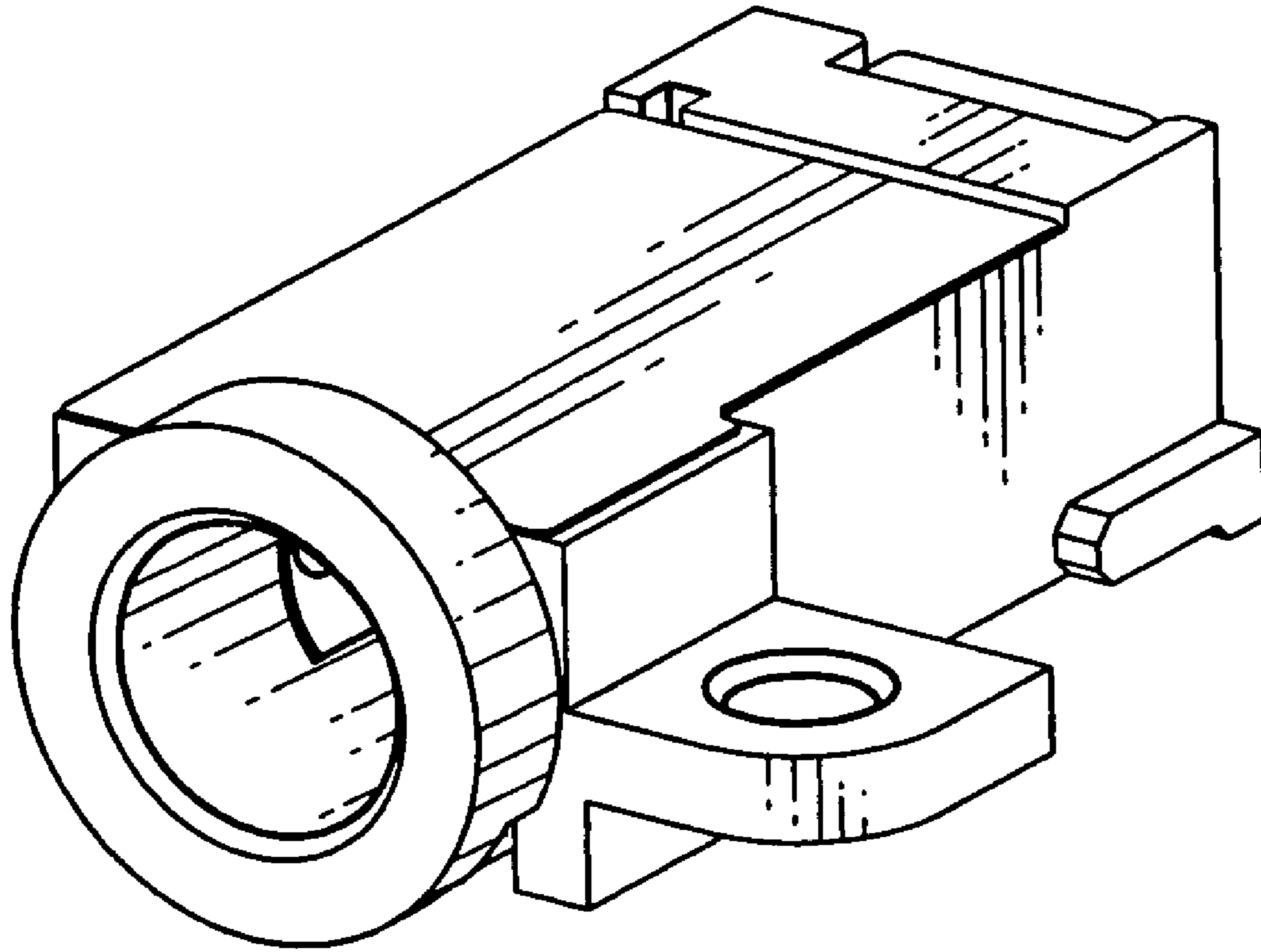


FIG. 1

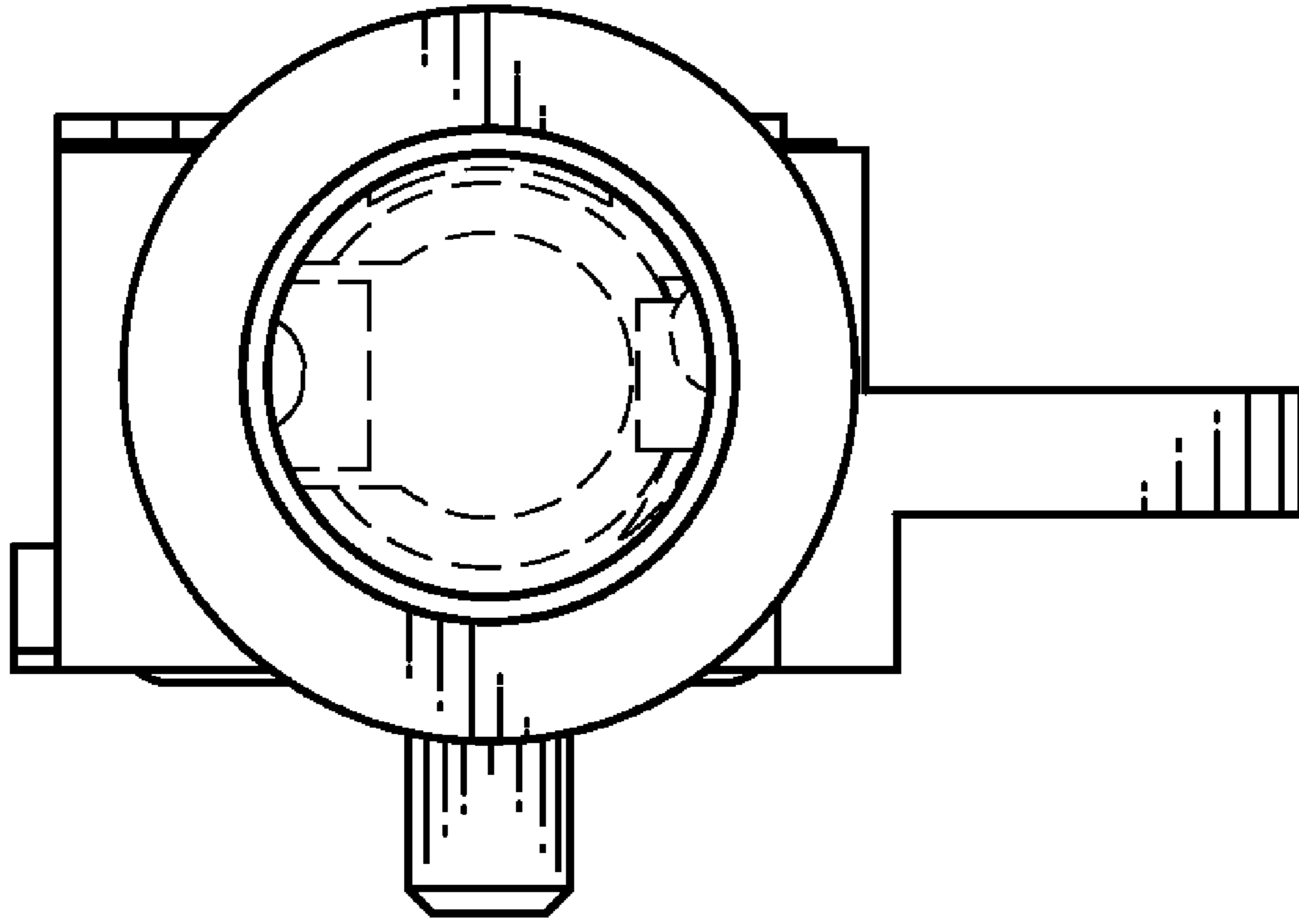


FIG. 2

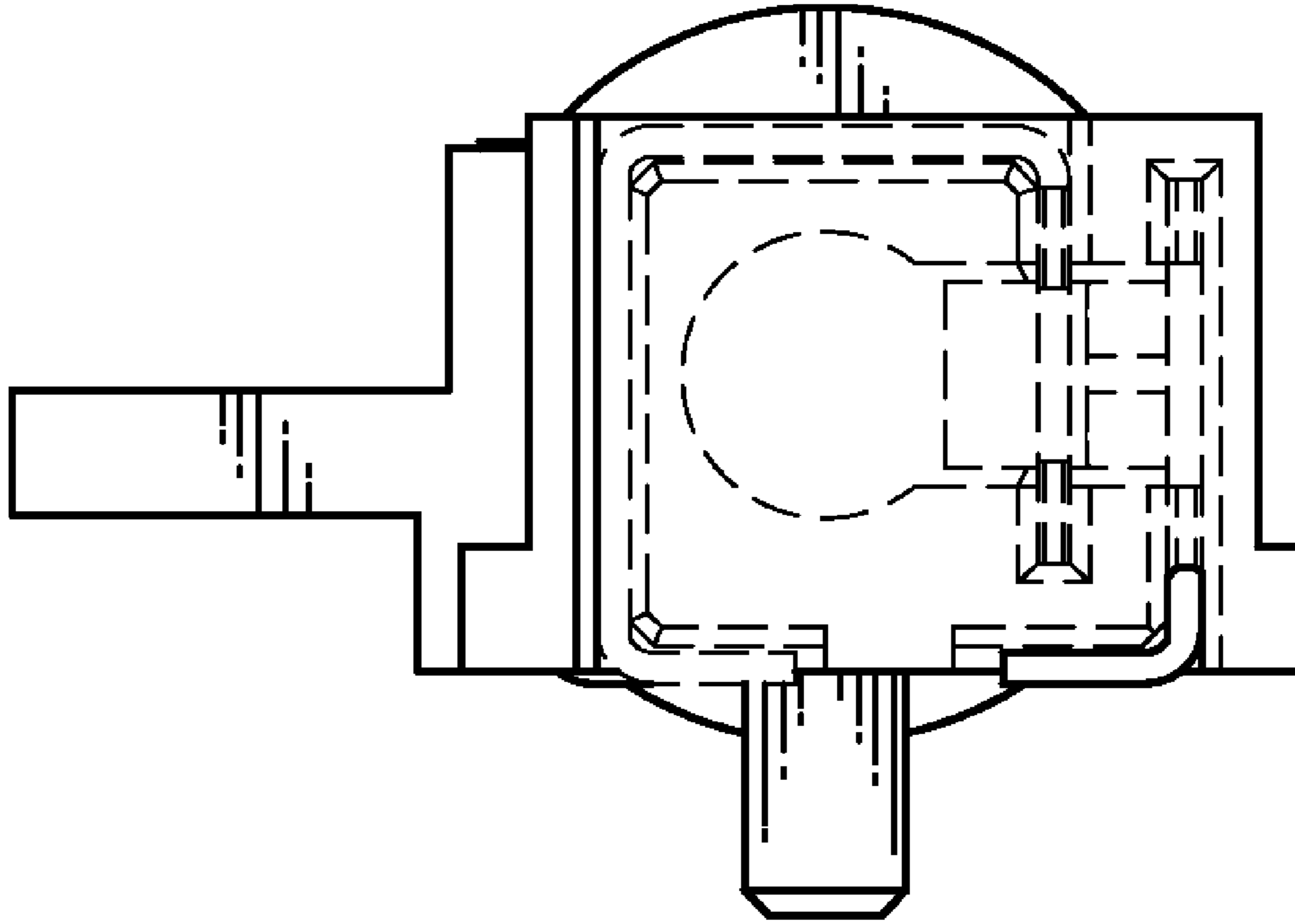


FIG. 3

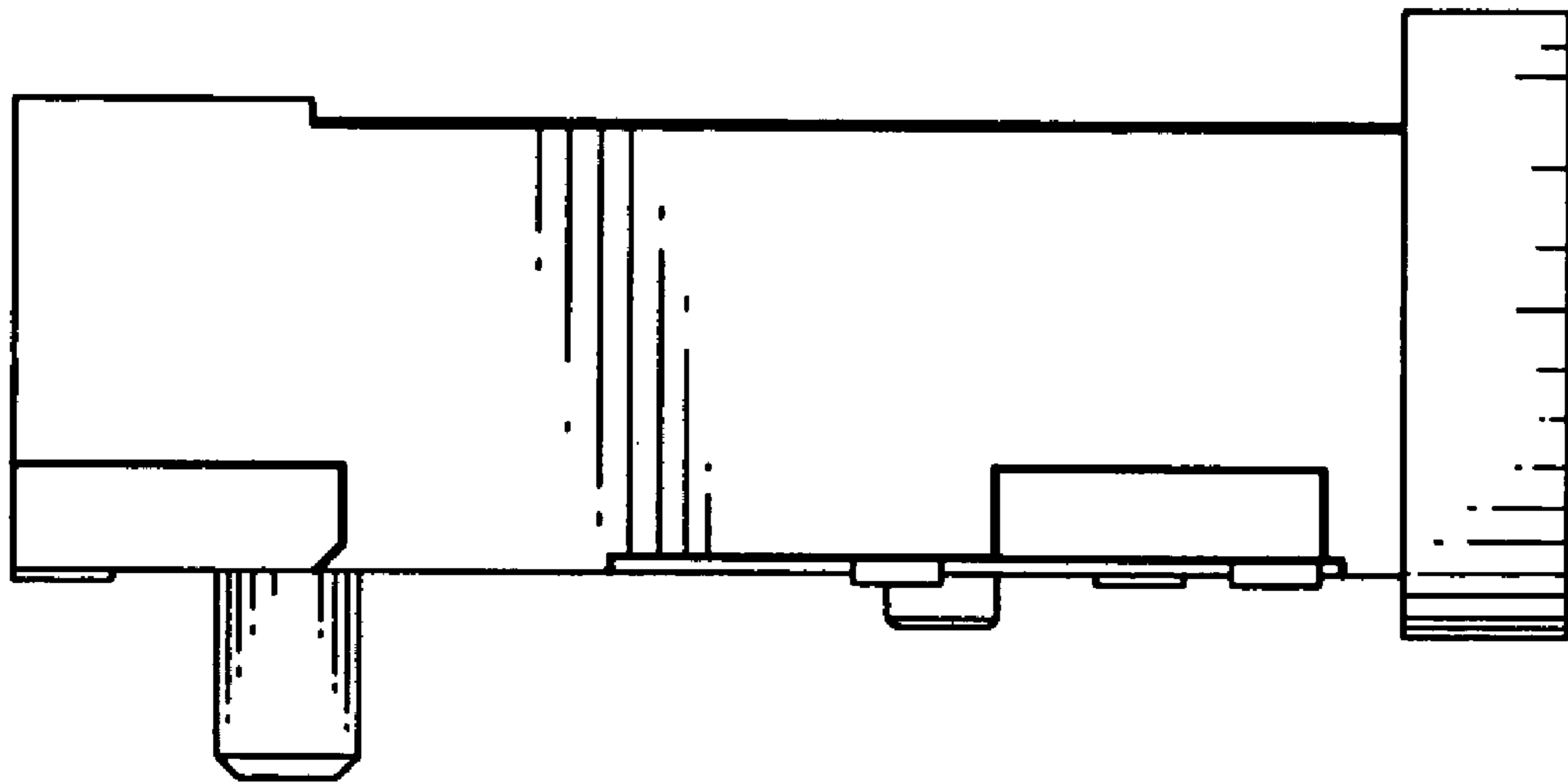


FIG. 4

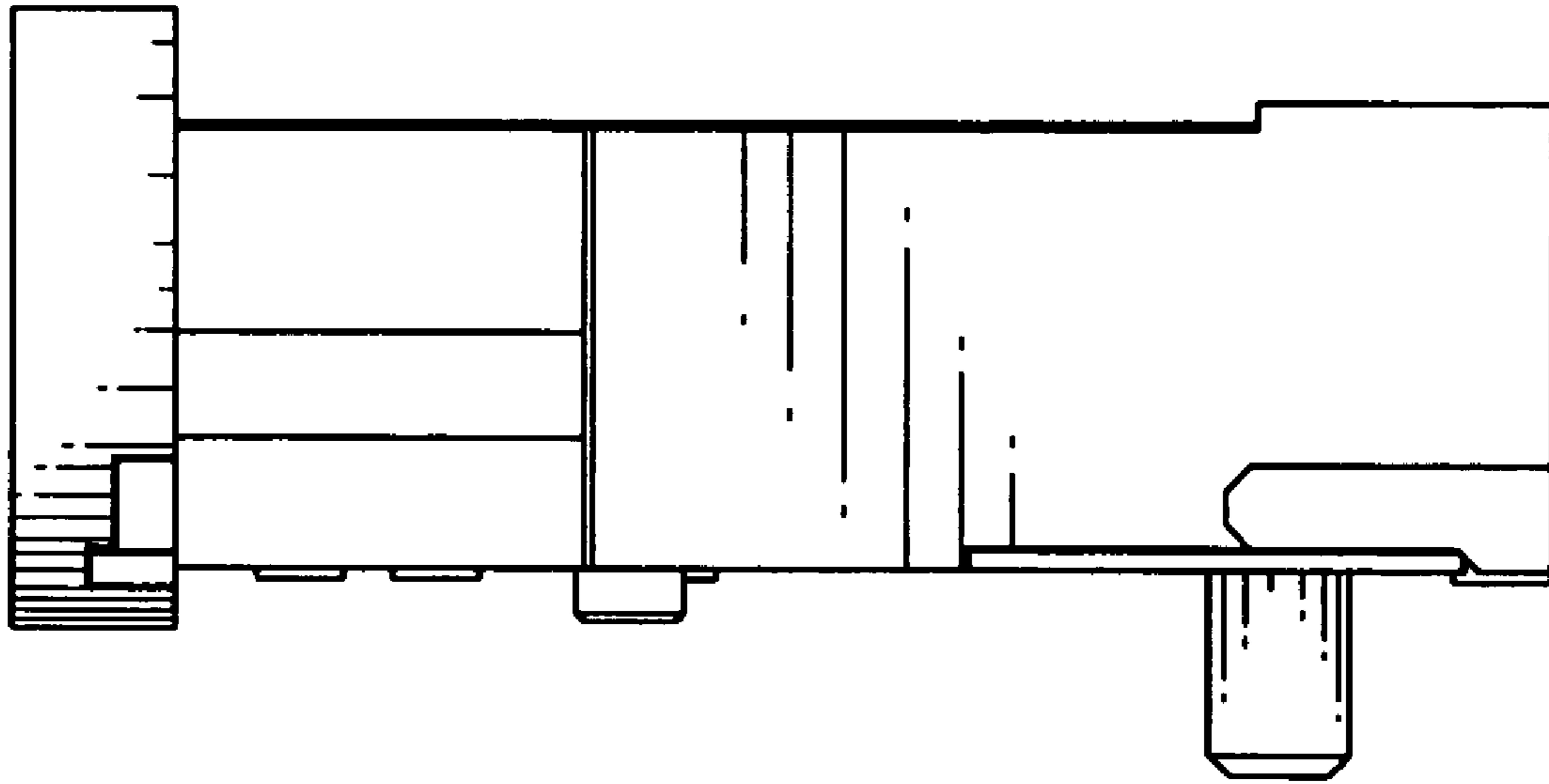


FIG. 5

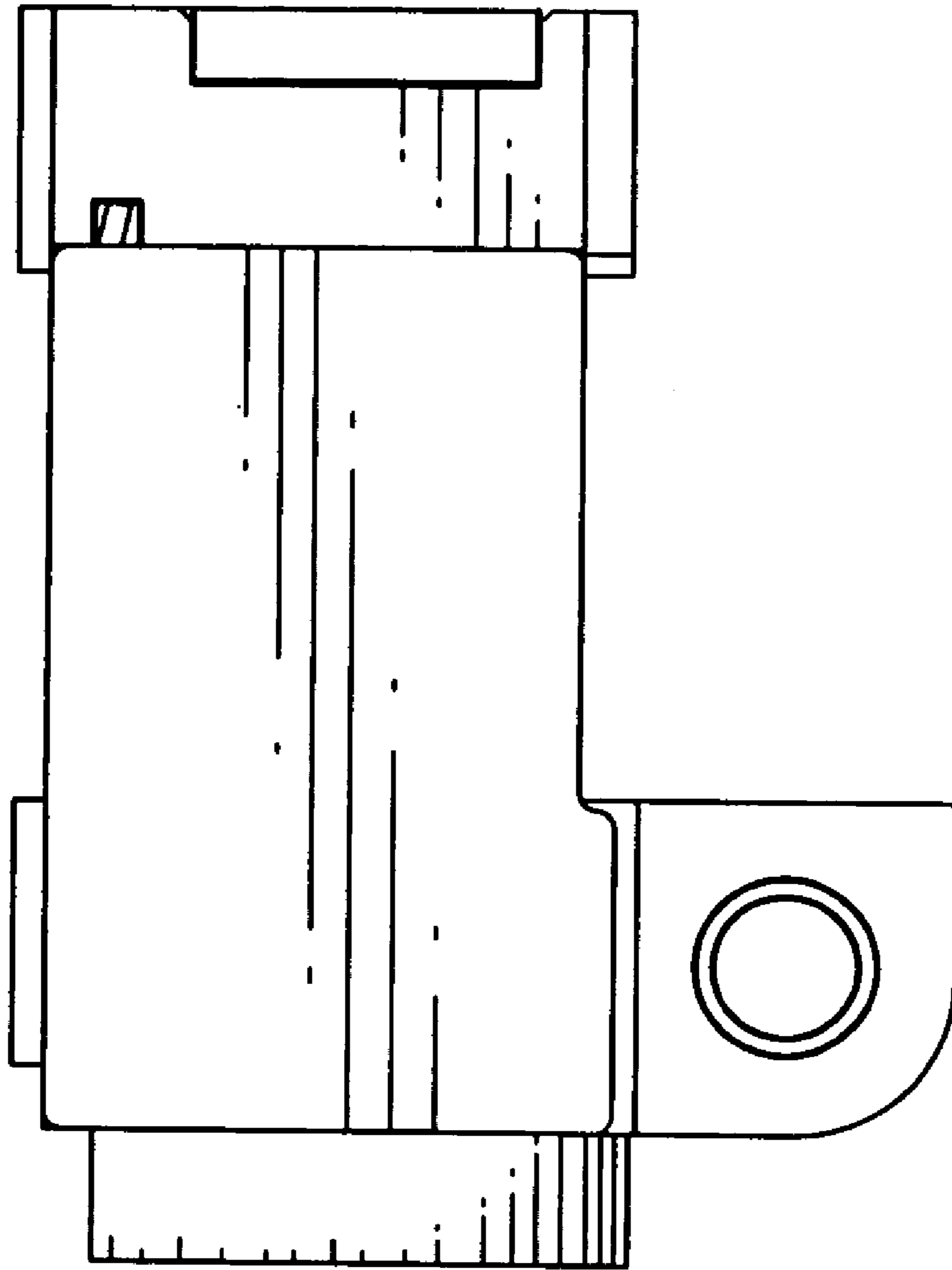


FIG. 6

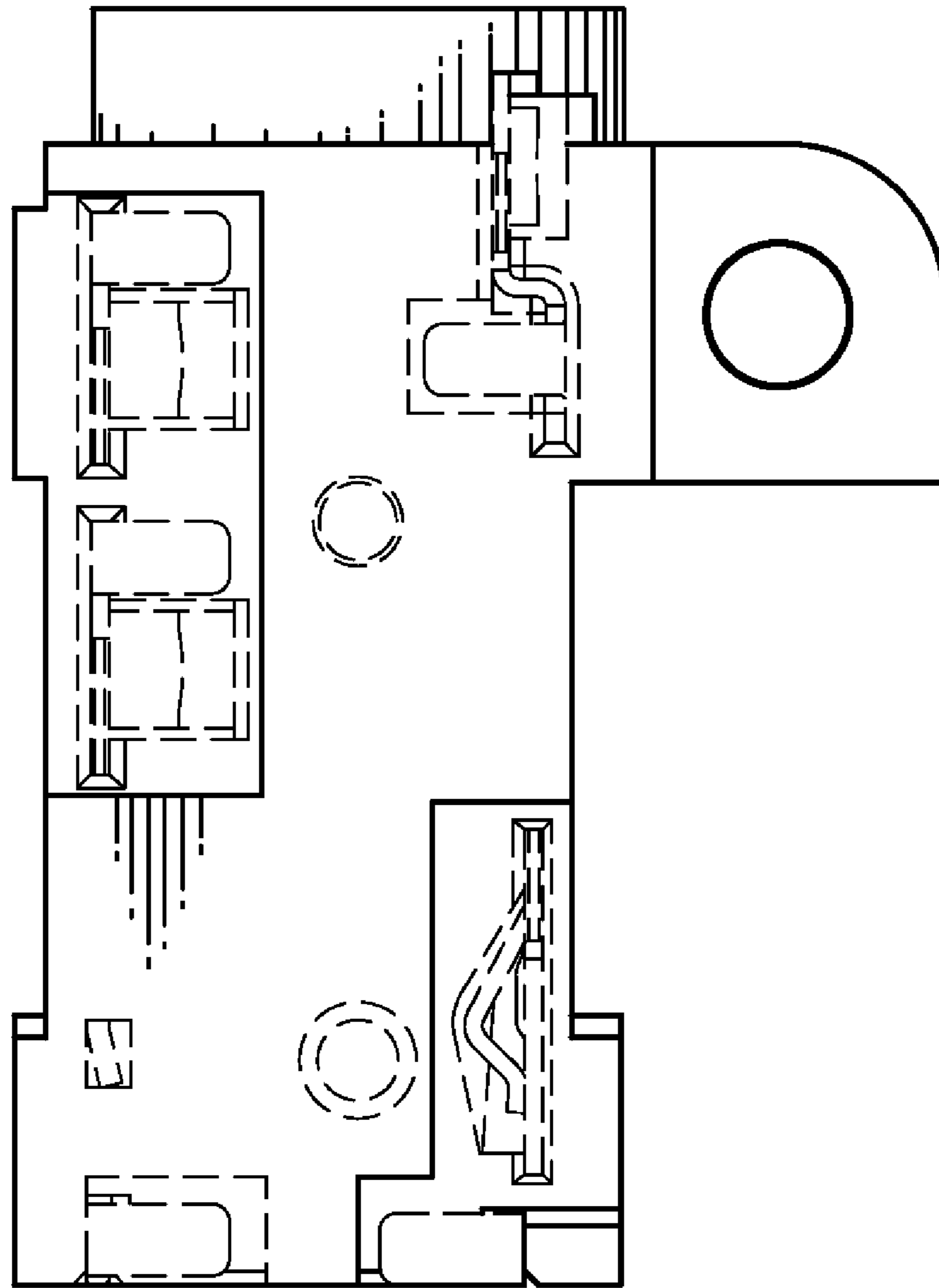


FIG. 7