



US00D556136S

(12) **United States Design Patent**  
**Shiga et al.**

(10) **Patent No.:** **US D556,136 S**

(45) **Date of Patent:** **\*\* Nov. 27, 2007**

(54) **ELECTRICAL CONTACT**

2005/0287875 A1\* 12/2005 Kojima ..... 439/750  
2006/0035538 A1 2/2006 Suemitsu et al.

(75) Inventors: **Katsumi Shiga**, Chiba (JP); **Yoshihito Fujiwara**, Tokyo (JP)

**FOREIGN PATENT DOCUMENTS**

(73) Assignee: **Tyco Electronics AMP K.K.**, Kanagawa-Ken (JP)

JP 1087417 8/2000  
JP 1239342 3/2005

(\*\*) Term: **14 Years**

\* cited by examiner

(21) Appl. No.: **29/250,414**

*Primary Examiner*—Daniel Bui  
(74) *Attorney, Agent, or Firm*—Barley Snyder LLC

(22) Filed: **Nov. 13, 2006**

(57) **CLAIM**

(30) **Foreign Application Priority Data**

The ornamental design for an electrical contact, as shown and described.

May 18, 2006 (JP) ..... 2006-012511

**DESCRIPTION**

(51) **LOC (8) Cl.** ..... **13-03**

FIG. 1 is a front elevation view of an electrical contact, showing our new design;

(52) **U.S. Cl.** ..... **D13/133**

FIG. 2 is a top plan view thereof;

(58) **Field of Classification Search** ..... D13/133,  
D13/149, 154, 184, 199; 439/732, 844, 851-852,  
439/865-867, 872, 877, 884

FIG. 3 is a bottom plan view thereof;

See application file for complete search history.

FIG. 4 is a left side elevation view thereof;

FIG. 5 is a right side elevation view thereof;

(56) **References Cited**

**U.S. PATENT DOCUMENTS**

D332,773 S \* 1/1993 Sato et al. .... D13/149  
D454,545 S \* 3/2002 Hayashi et al. .... D13/154  
D464,323 S \* 10/2002 Harasawa et al. .... D13/154  
D475,022 S \* 5/2003 Kihira et al. .... D13/154  
2005/0085128 A1\* 4/2005 Chai et al. .... 439/607

FIG. 6 is a rear elevation view thereof;

FIG. 7 is a bottom, front and left side perspective view thereof; and,

FIG. 8 is a top, rear and right side perspective view thereof.

**1 Claim, 6 Drawing Sheets**

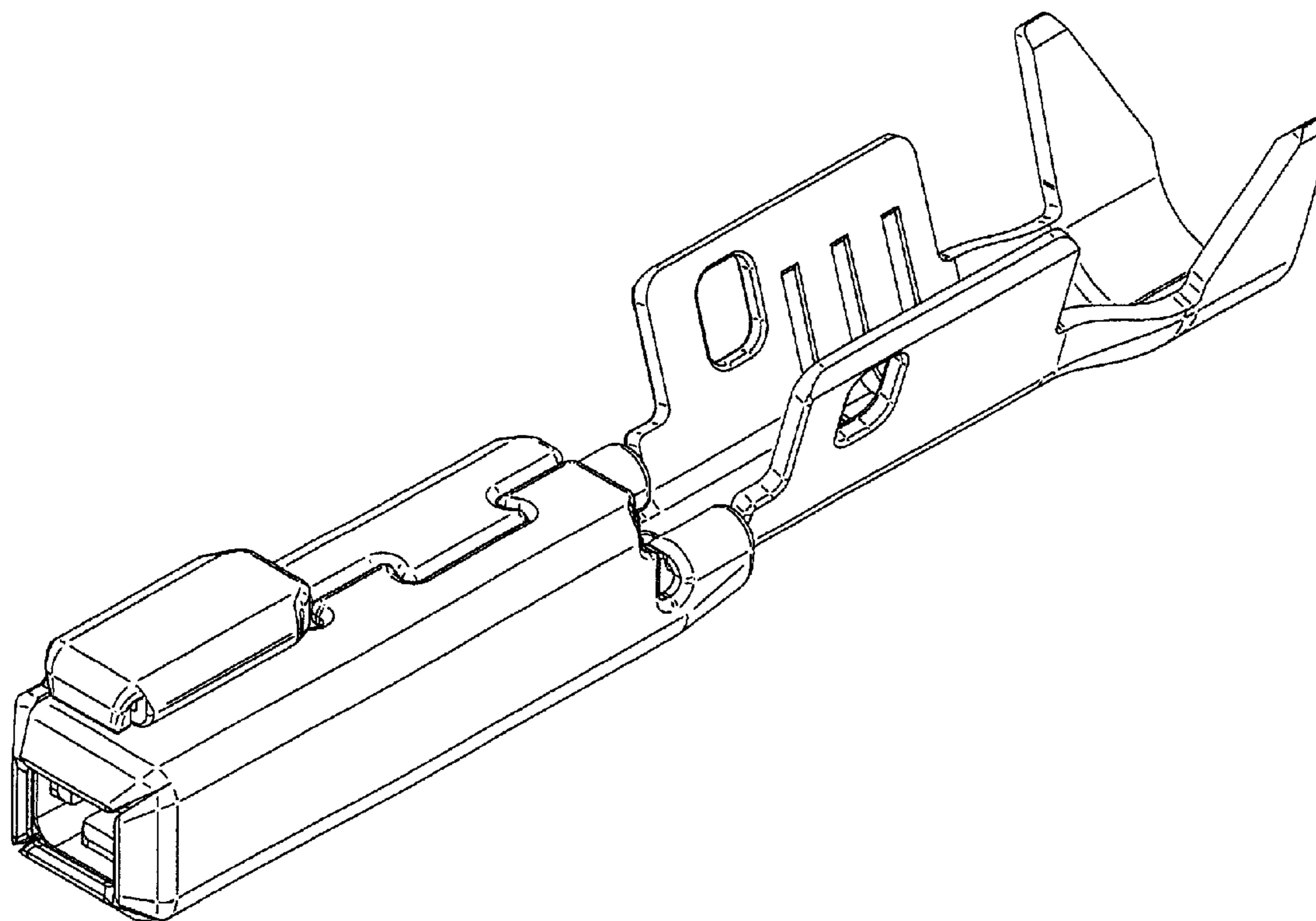


FIG. 1

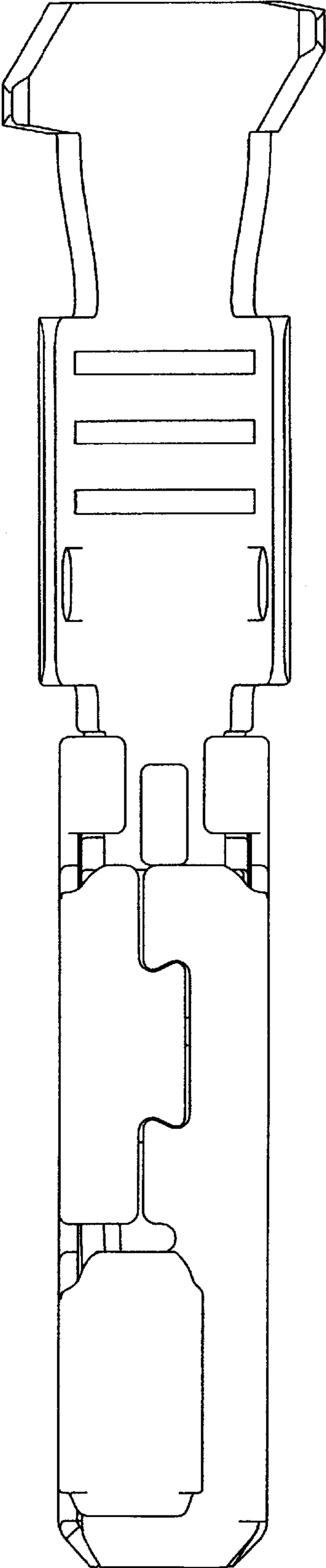


FIG. 2

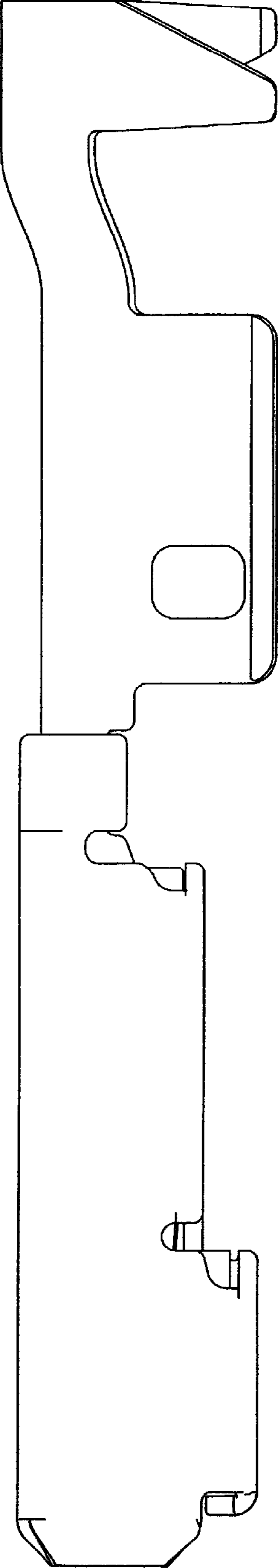


FIG. 3

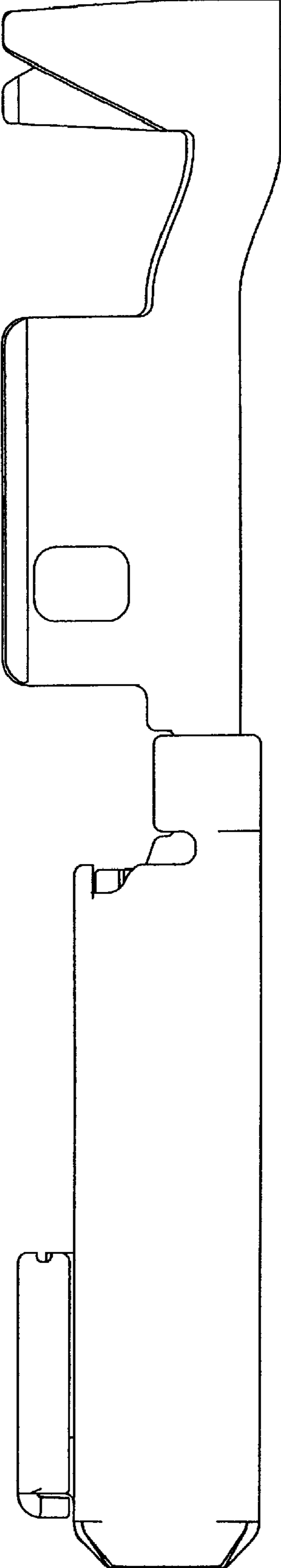


FIG. 5

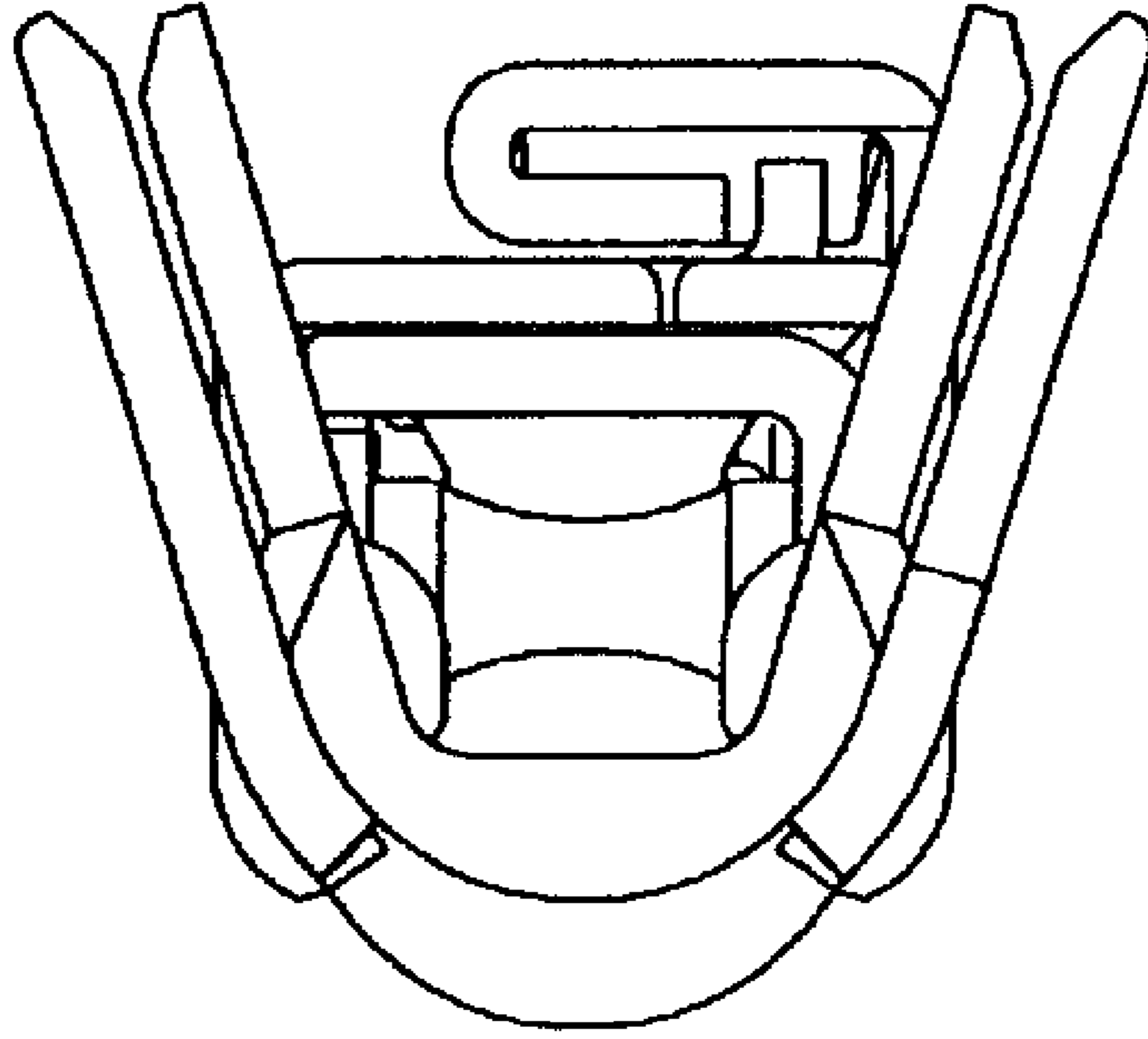


FIG. 4

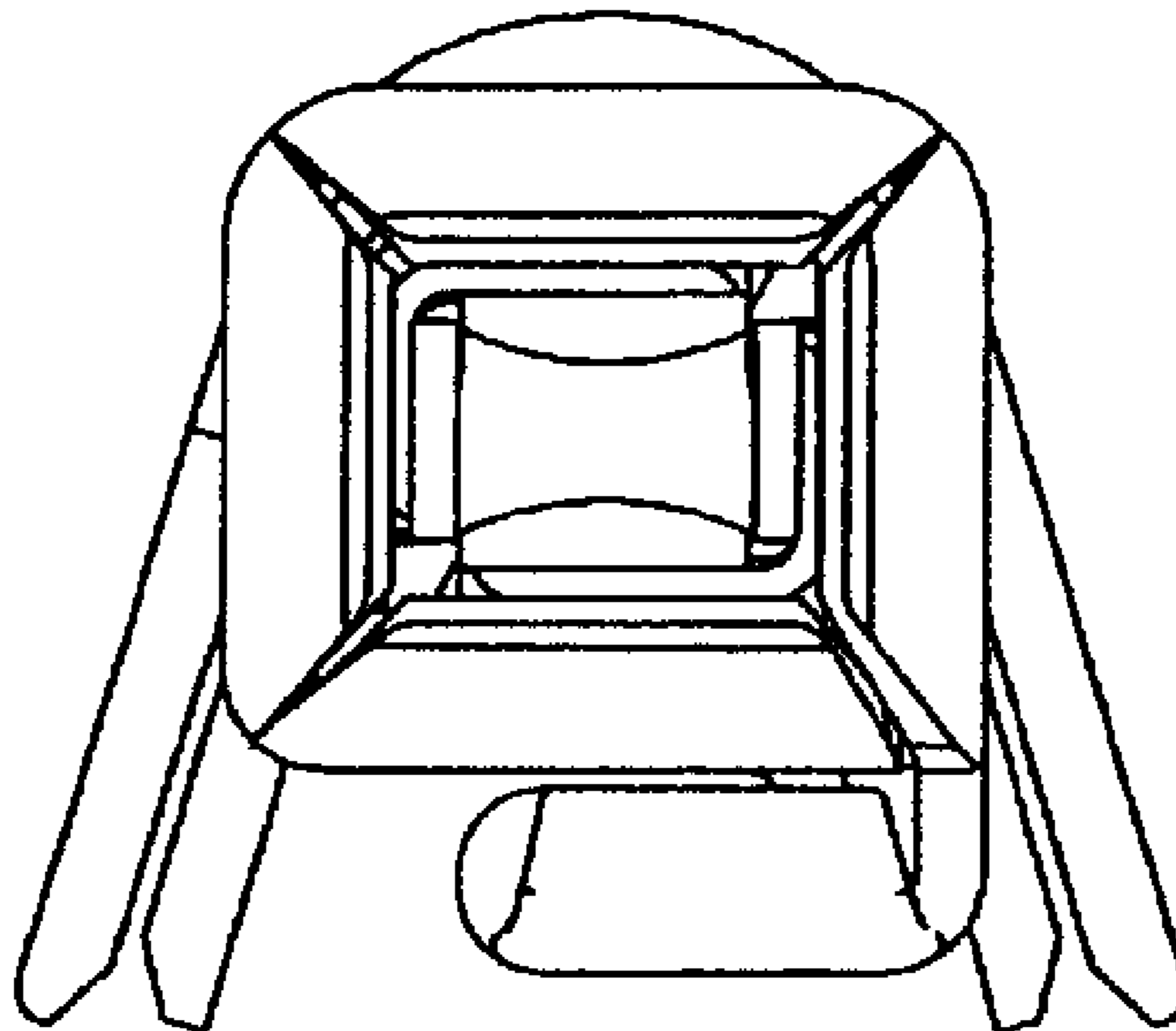
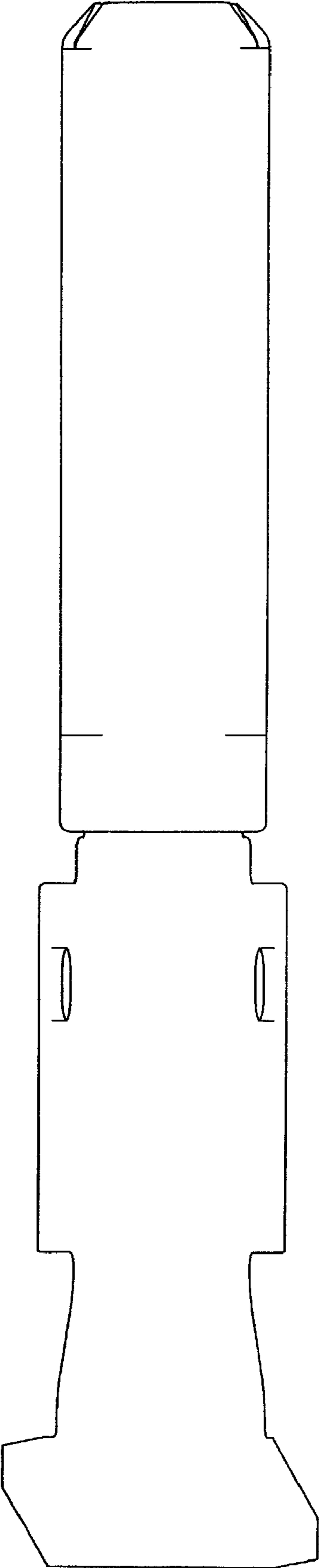


FIG. 6



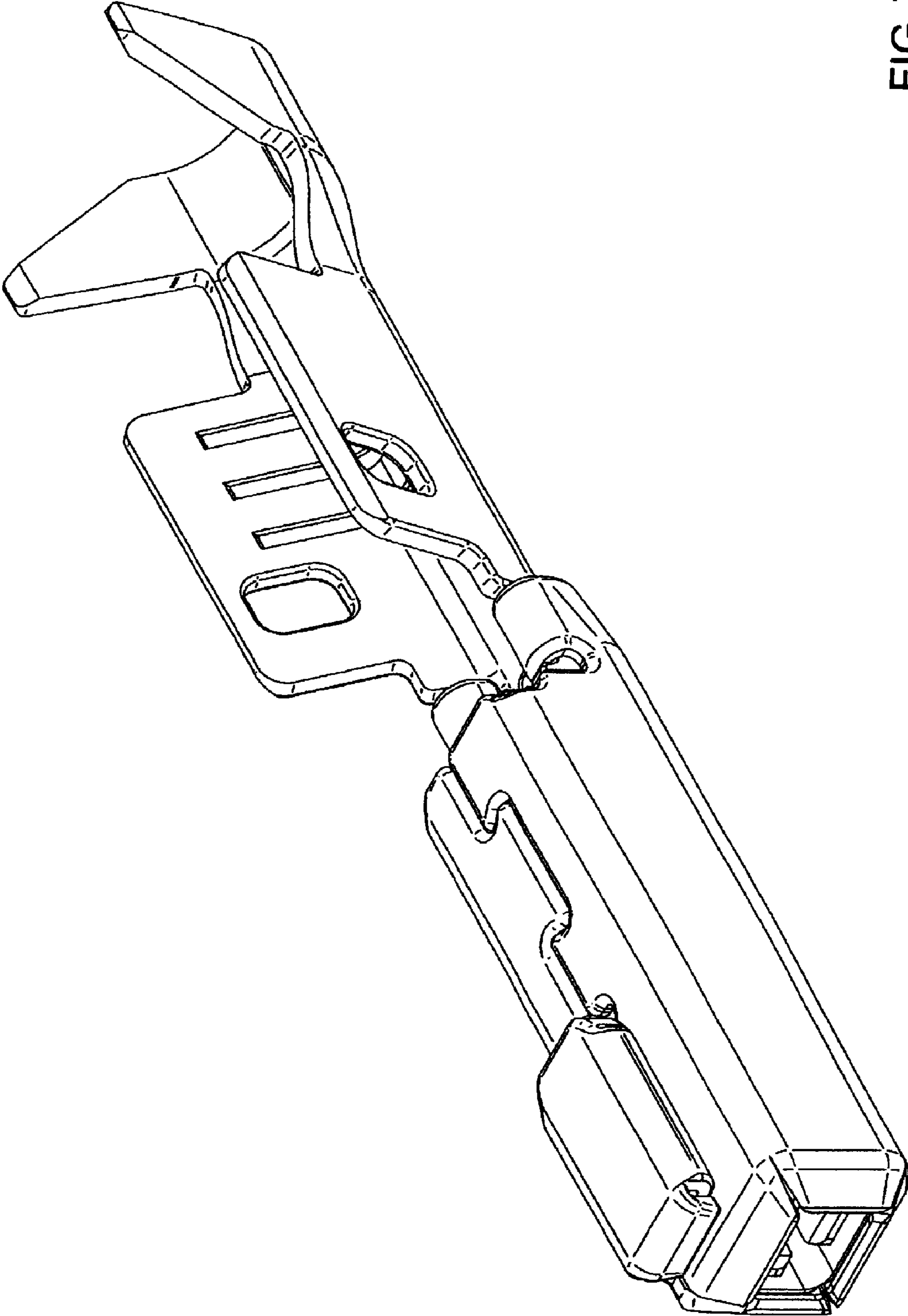


FIG. 7

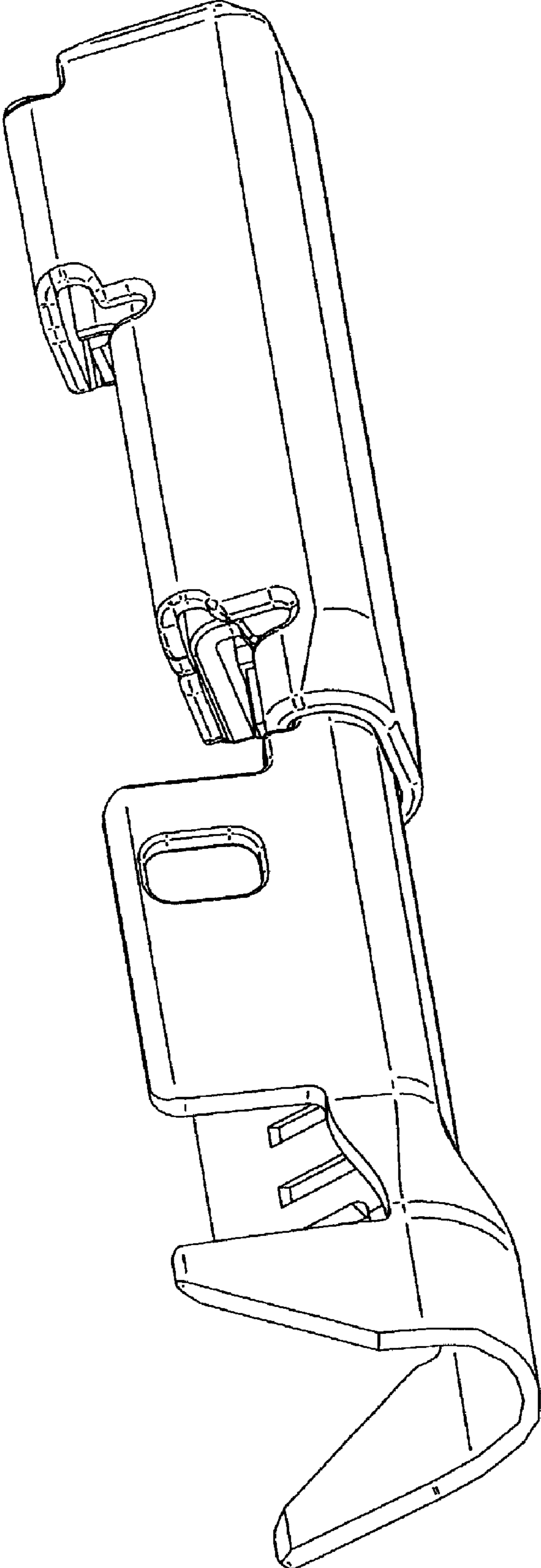


FIG. 8