



US00D556134S

(12) **United States Design Patent**  
**Lee et al.**

(10) **Patent No.:** **US D556,134 S**  
(45) **Date of Patent:** **\*\* Nov. 27, 2007**

(54) **MULTI OUTPUT POD**

(75) Inventors: **Noel Lee**, Las Vegas, NV (US);  
**Kendrew Lee**, Fremont, CA (US)

(73) Assignee: **Monster Cable Products, Inc.**,  
Brisbane, CA (US)

(\*\*) Term: **14 Years**

(21) Appl. No.: **29/243,240**

(22) Filed: **Nov. 21, 2005**

(51) **LOC (8) Cl.** ..... **13-03**

(52) **U.S. Cl.** ..... **D13/133**

(58) **Field of Classification Search** ..... D13/133,  
D13/146, 147, 156; 439/447, 483, 606-610,  
439/668, 669, 675, 676, 680, 687, 750

See application file for complete search history.

(56) **References Cited**

U.S. PATENT DOCUMENTS

D204,759 S \* 5/1966 Bowman ..... D13/147

(Continued)

*Primary Examiner*—Cathron C. Brooks

*Assistant Examiner*—Rosemary K. Tarcza

(74) *Attorney, Agent, or Firm*—LaRiviere, Grubman &  
Payne, LLP

(57) **CLAIM**

The ornamental design for a multi output pod, as herein described and as shown in the several figures of the accompanying drawings.

**DESCRIPTION**

FIG. 1 is a perspective view of a multi output pod, in accordance with a first embodiment of the present invention.

FIG. 2 is a top view of a multi output pod, in accordance with a first embodiment of the present invention.

FIG. 3 is a bottom view of a multi output pod, in accordance with a first embodiment of the present invention.

FIG. 4 is a side view of a multi output pod, in accordance with a first embodiment of the present invention.

FIG. 5 is an opposing side view of a multi output pod, in accordance with a first embodiment of the present invention.

FIG. 6 is an end view of a multi output pod, in accordance with a first embodiment of the present invention.

FIG. 7 is an opposing end view of a multi output pod, in accordance with a first embodiment of the present invention.

FIG. 8 is a perspective view of a multi output pod, in accordance with a second embodiment of the present invention.

FIG. 9 is a top view of a multi output pod, in accordance with a second embodiment of the present invention.

FIG. 10 is a bottom view of a multi output pod, in accordance with a second embodiment of the present invention.

FIG. 11 is a side view of a multi output pod, in accordance with a second embodiment of the present invention.

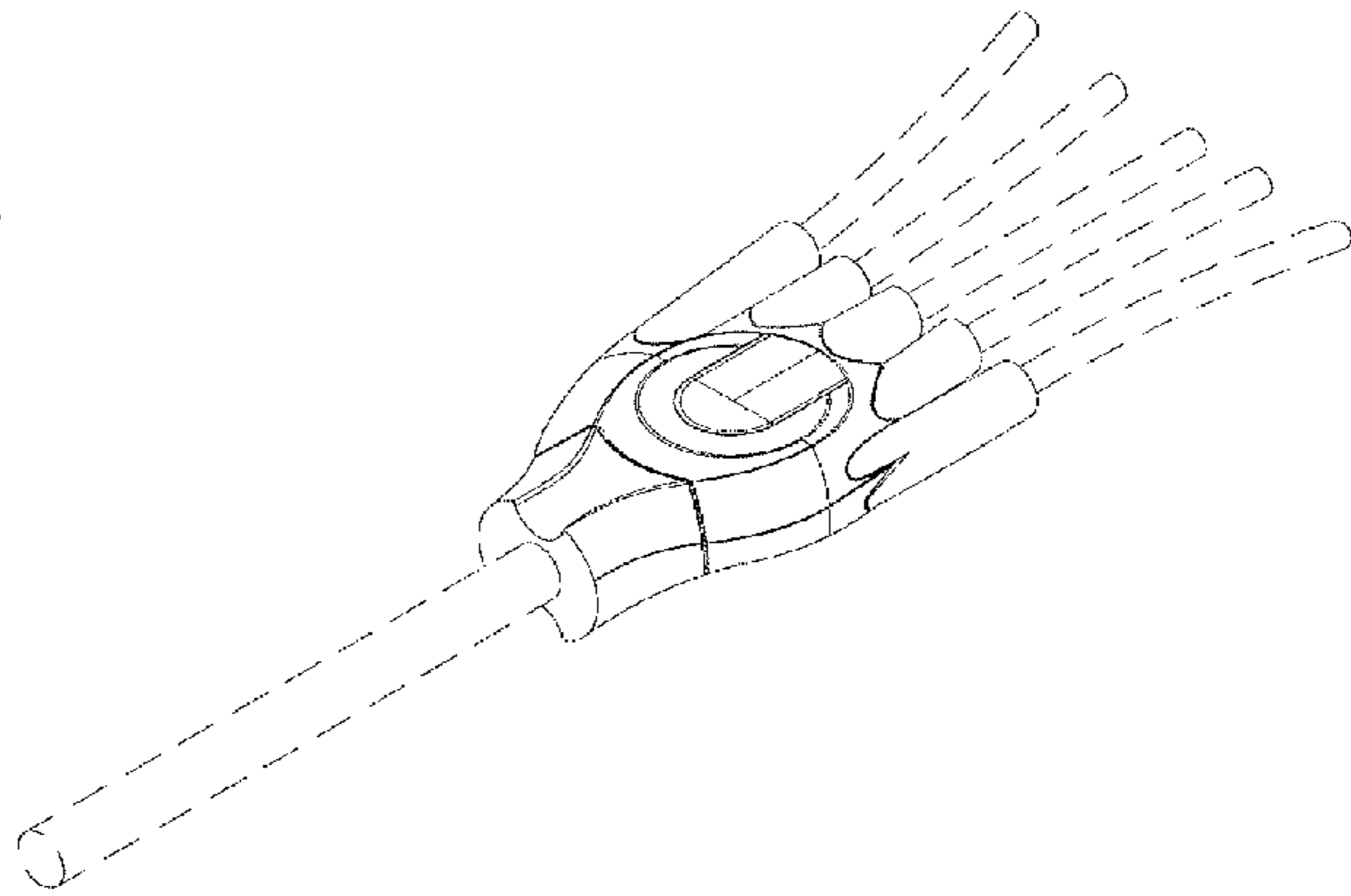
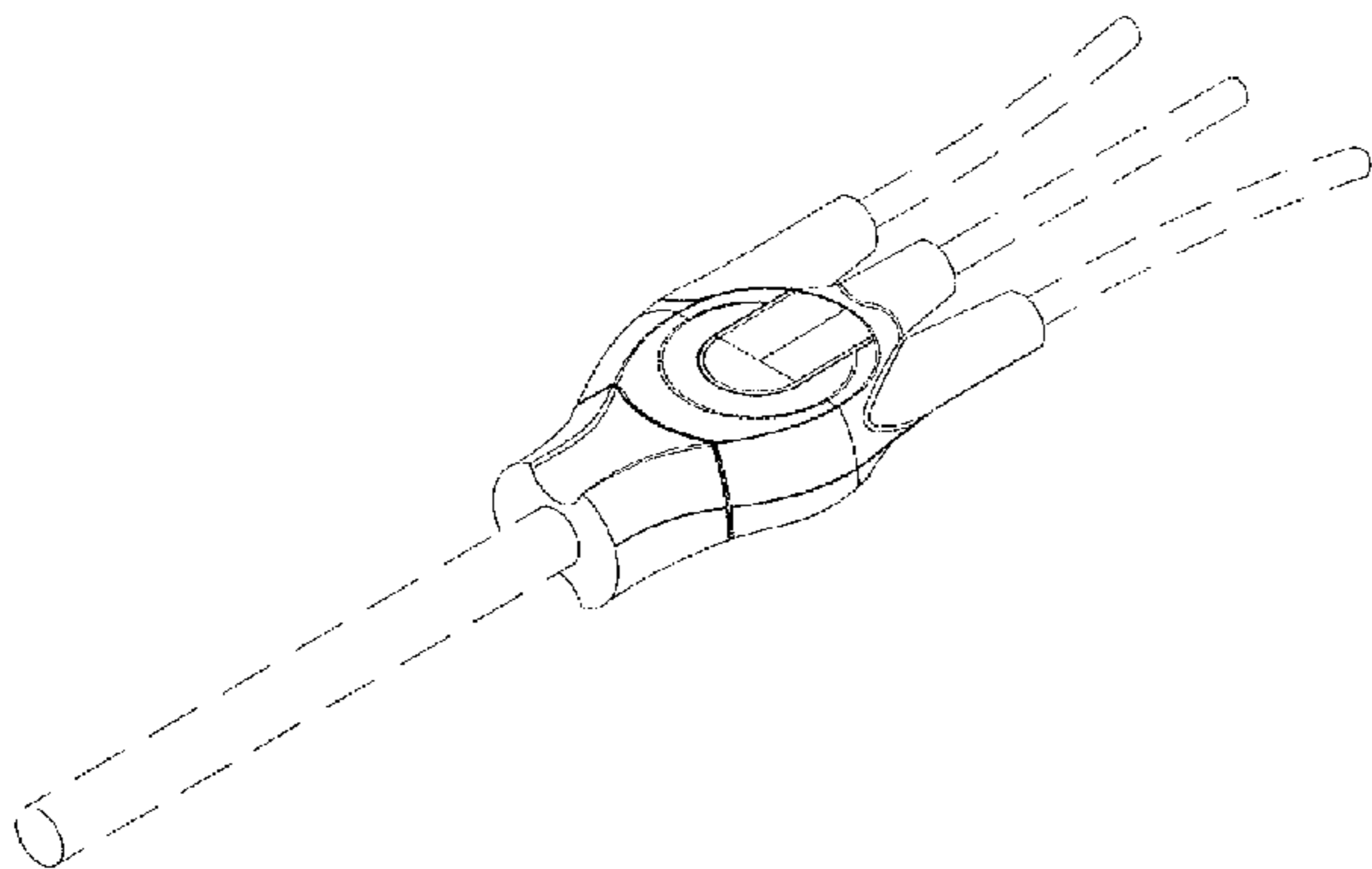
FIG. 12 is an opposing side view of a multi output pod, in accordance with a second embodiment of the present invention.

FIG. 13 is an end view of a multi output pod, in accordance with a second embodiment of the present invention; and,

FIG. 14 is an opposing end view of a multi output pod, in accordance with a second embodiment of the present invention.

The broken lines showing the environment in the Figures are for illustrative purposes only and form no part of the claimed design.

**1 Claim, 4 Drawing Sheets**



# US D556,134 S

Page 2

---

## U.S. PATENT DOCUMENTS

D253,490 S	*	11/1979	Reiser	.....	D24/167	D447,120 S	*	8/2001	Lee	.....	D13/146
D387,733 S	*	12/1997	Lee	.....	D13/147	D449,275 S	*	10/2001	Goto	.....	D13/147
D429,218 S	*	8/2000	Lee	.....	D13/147	D450,039 S	*	11/2001	Goto	.....	D13/147
D438,510 S	*	3/2001	Leen	.....	D13/146	D514,520 S	*	2/2006	Bahramian	.....	D13/147

\* cited by examiner

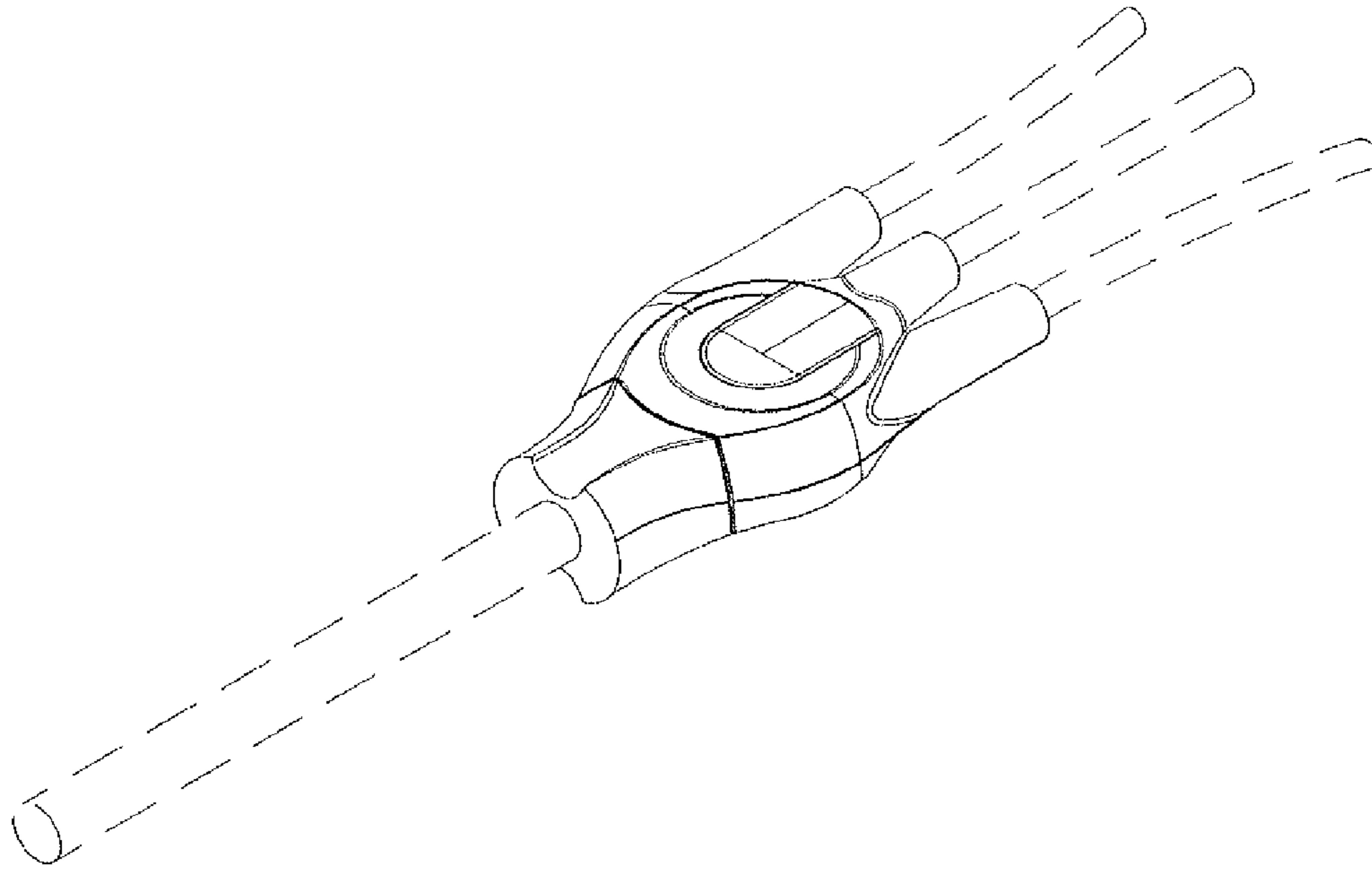


Figure 1

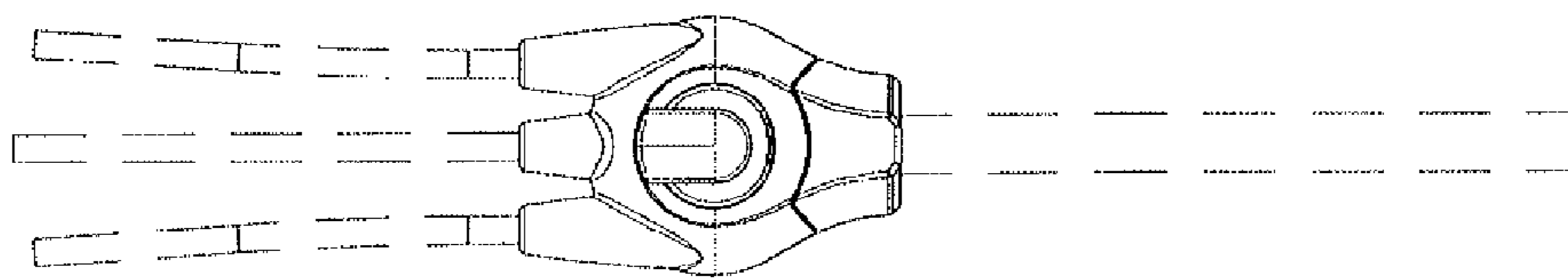


Figure 2

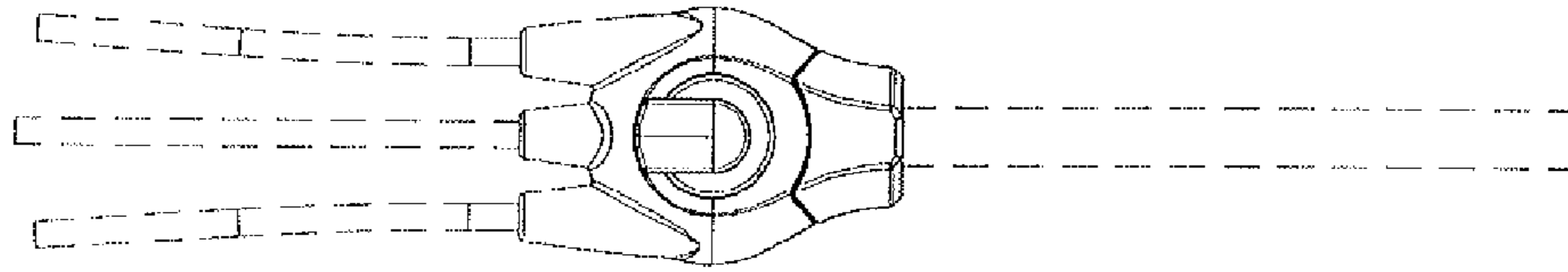


Figure 3

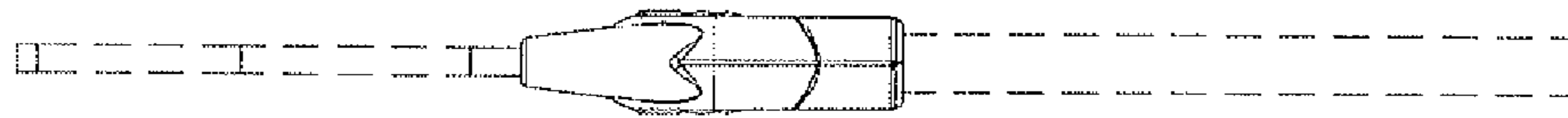


Figure 4

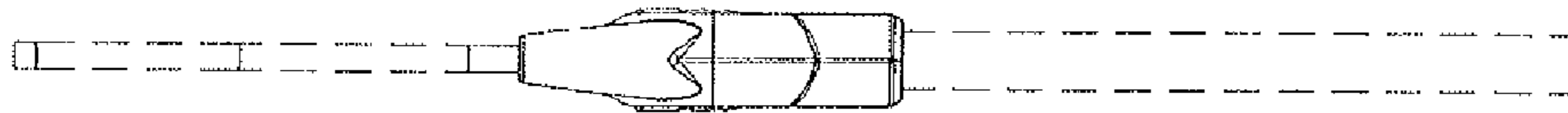


Figure 5



Figure 6

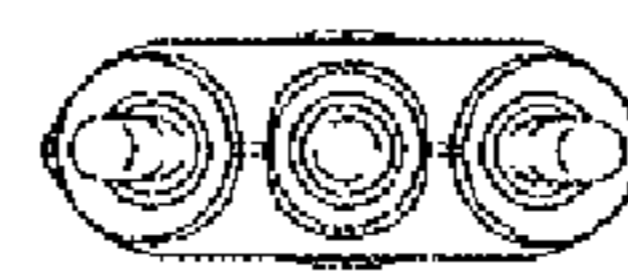


Figure: 7

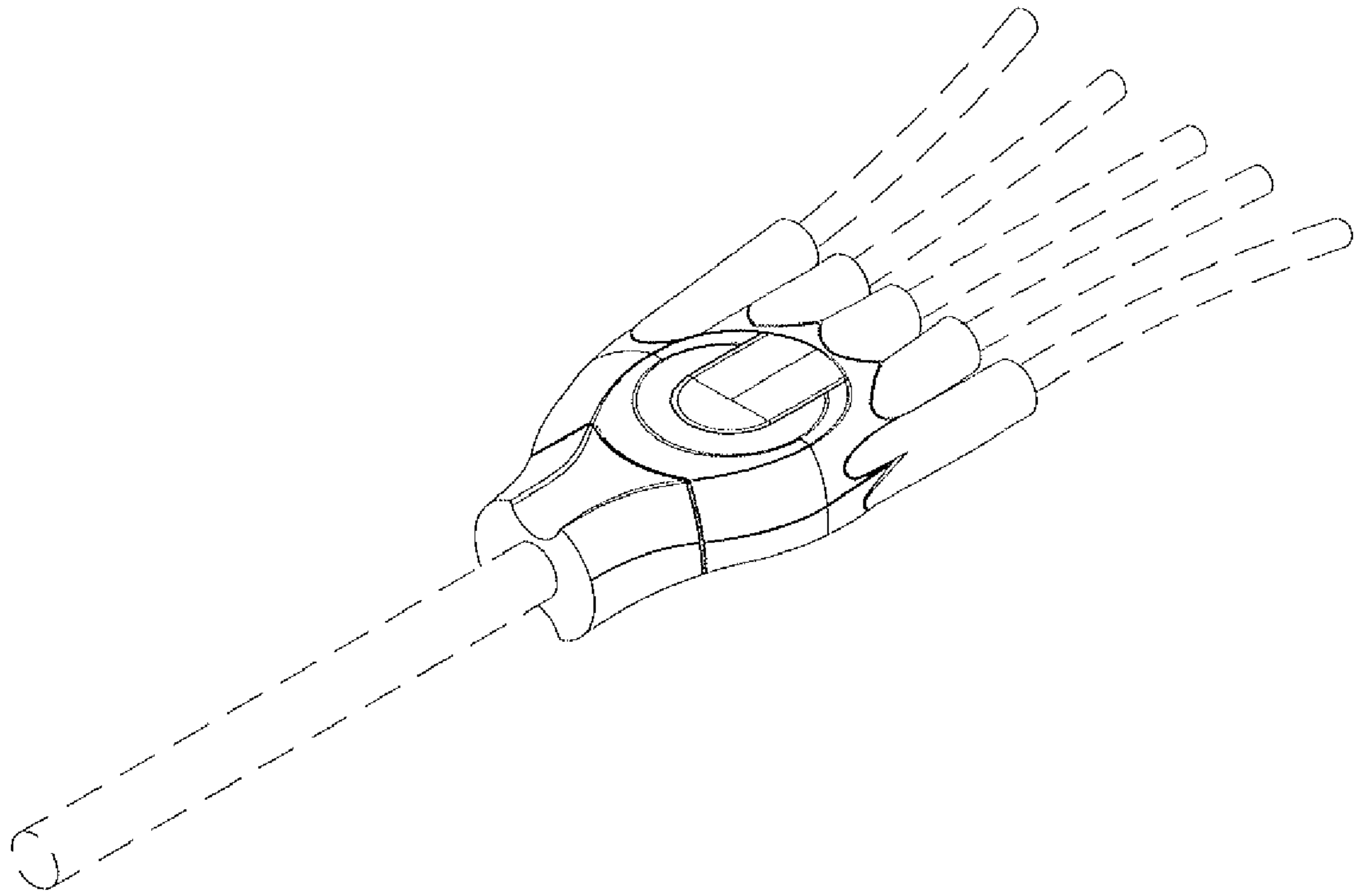


Figure 8

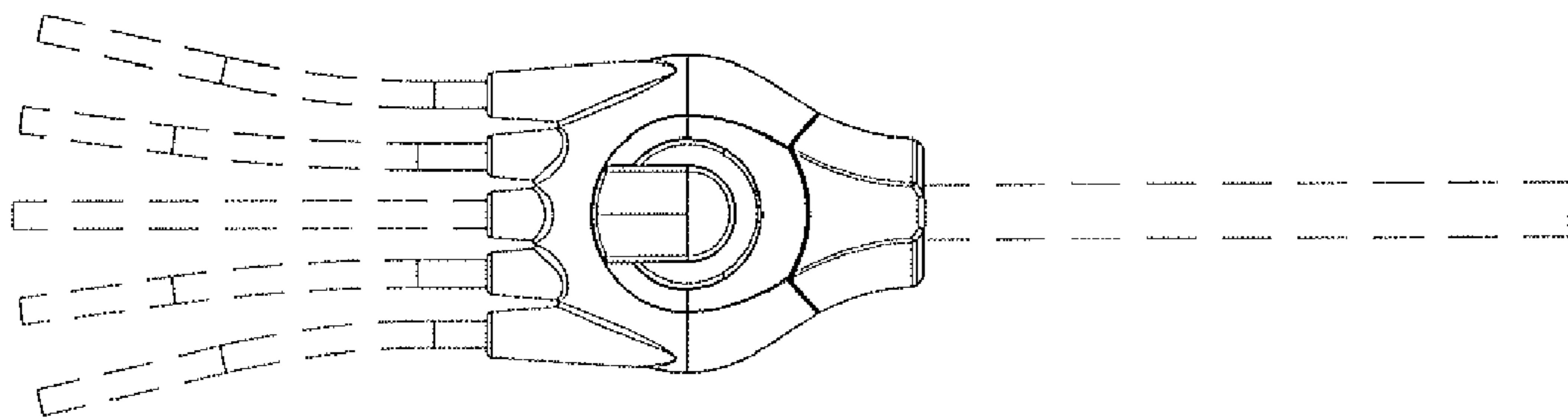


Figure 9

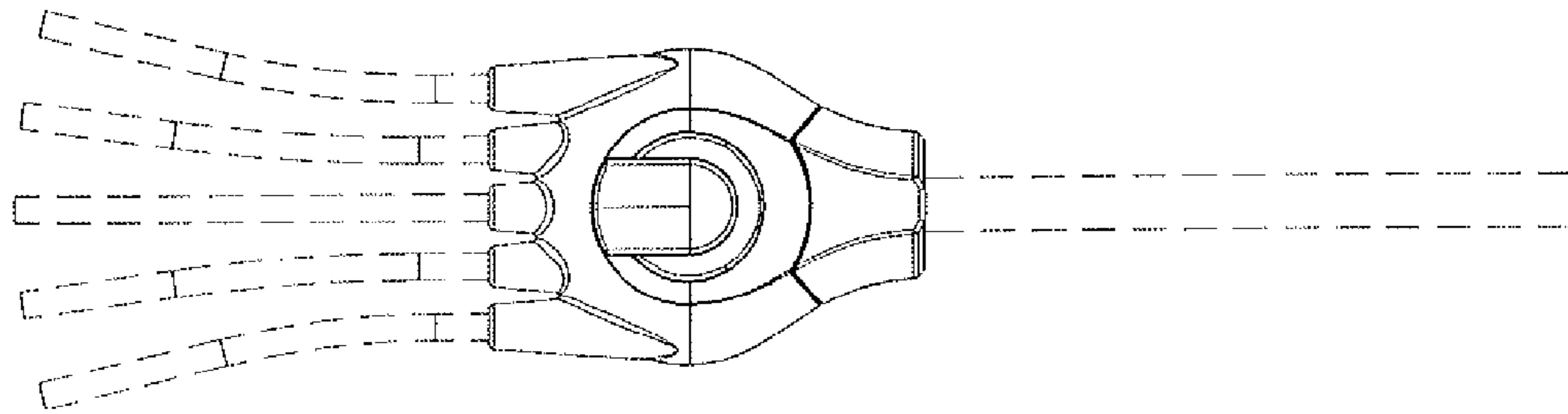


Figure 10

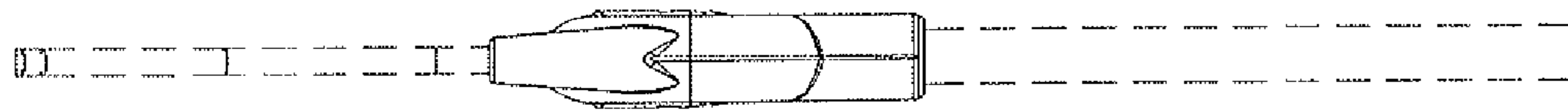


Figure 11

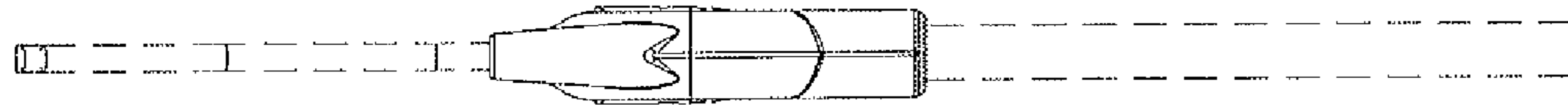


Figure 12



Figure 13



Figure 14