



US00D556131S

(12) **United States Design Patent**
Chien

(10) **Patent No.:** **US D556,131 S**

(45) **Date of Patent:** **** Nov. 27, 2007**

(54) **ELECTRICAL TERMINAL**

(75) Inventor: **Min Lung Chien**, Taipei (TW)

(73) Assignee: **Advanced Connectek Inc.**, Hsin-Tien, Taipei (TW)

(**) Term: **14 Years**

(21) Appl. No.: **29/224,727**

(22) Filed: **Mar. 5, 2005**

(30) **Foreign Application Priority Data**

Dec. 3, 2004 (TW) 93307316

(51) **LOC (8) Cl.** **13-03**

(52) **U.S. Cl.** **D13/133; D13/154**

(58) **Field of Classification Search** D13/133,
D13/154, 184, 199; 439/395, 839, 633, 660,
439/849-850, 862, 870, 877, 884-885, 887-891
See application file for complete search history.

(56) **References Cited**

U.S. PATENT DOCUMENTS

D409,145 S * 5/1999 Yoshiura D13/133
D410,226 S * 5/1999 Yoshiura D13/133
6,068,519 A * 5/2000 Lok 439/660

6,315,621 B1 * 11/2001 Natori et al. 439/862
6,951,488 B2 * 10/2005 Hsieh 439/660
6,984,130 B2 * 1/2006 Richter et al. 439/66
2001/0049236 A1 * 12/2001 Bechaz et al. 439/834
2002/0048999 A1 * 4/2002 Ming-Hui 439/660
2003/0104731 A1 * 6/2003 Chang 439/862

* cited by examiner

Primary Examiner—Daniel Bui

(57) **CLAIM**

The ornamental design for an electrical terminal, as shown and described.

DESCRIPTION

FIG. 1 is a top, front and left side perspective view of an electrical terminal showing my new design;

FIG. 2 is a front elevation view thereof;

FIG. 3 is a rear elevation view thereof;

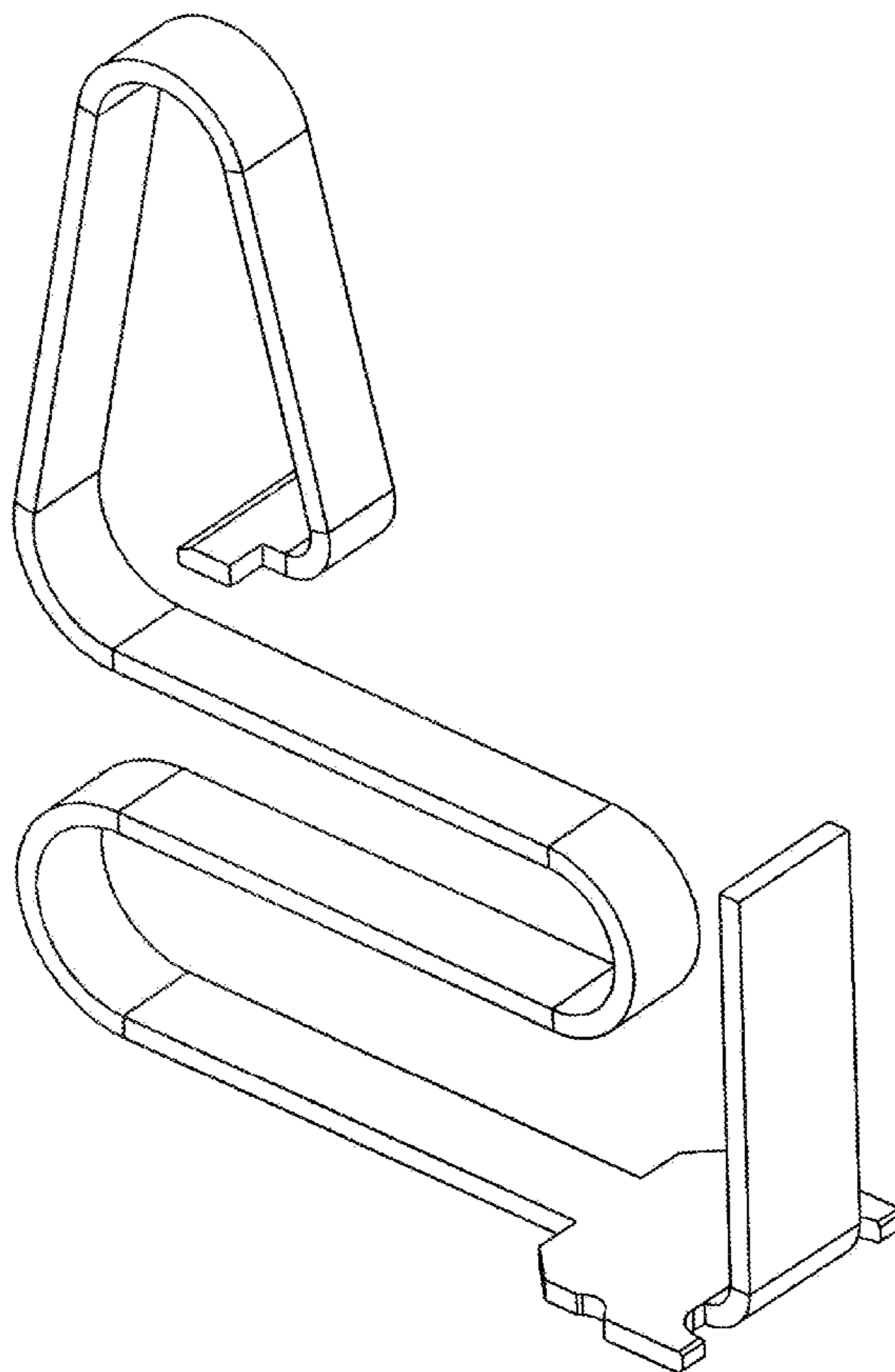
FIG. 4 is a top plan view thereof;

FIG. 5 is a bottom plan view thereof;

FIG. 6 is a left side elevation view thereof; and,

FIG. 7 is a right side elevation view thereof.

1 Claim, 4 Drawing Sheets



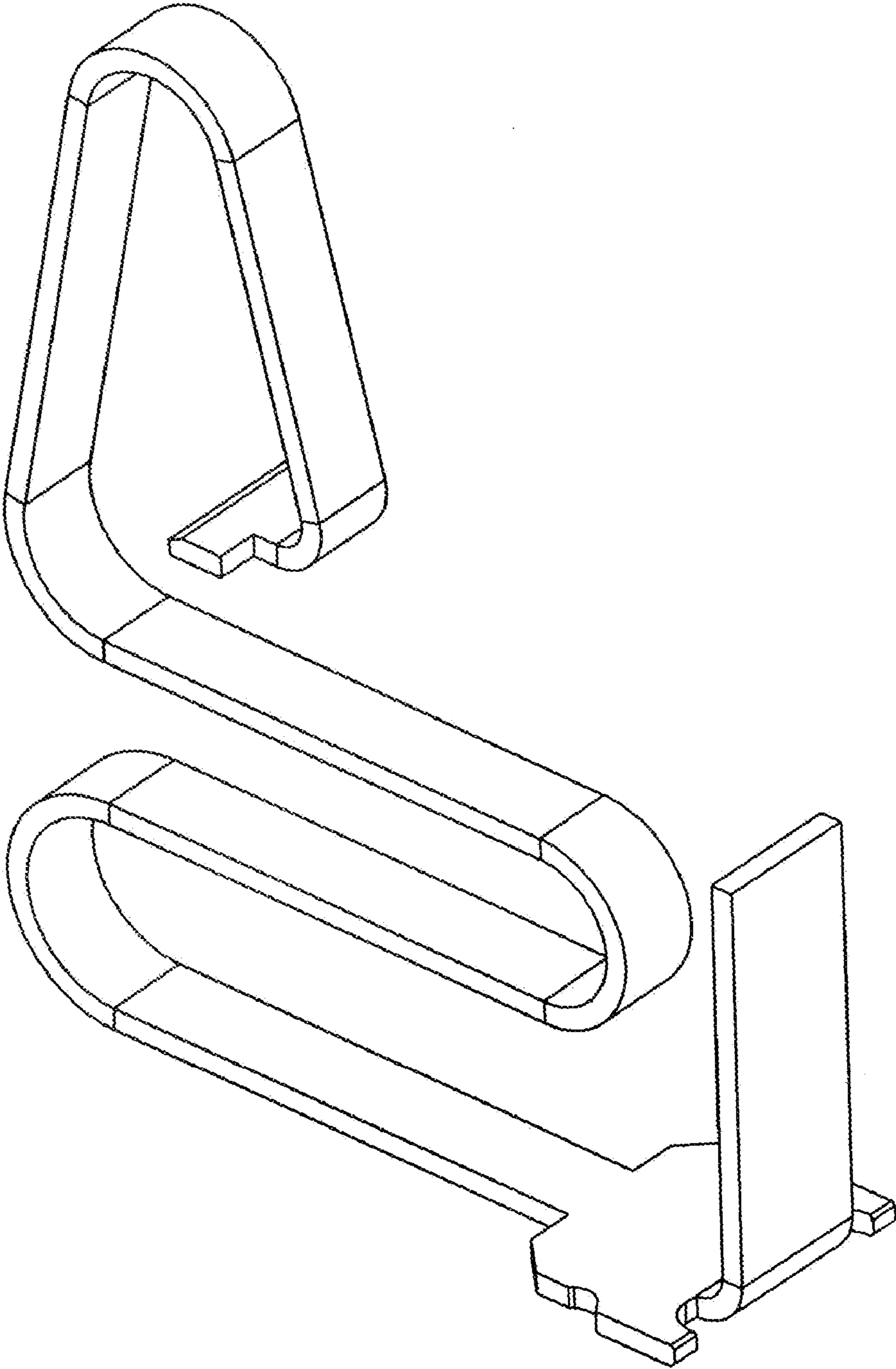


FIG. 1

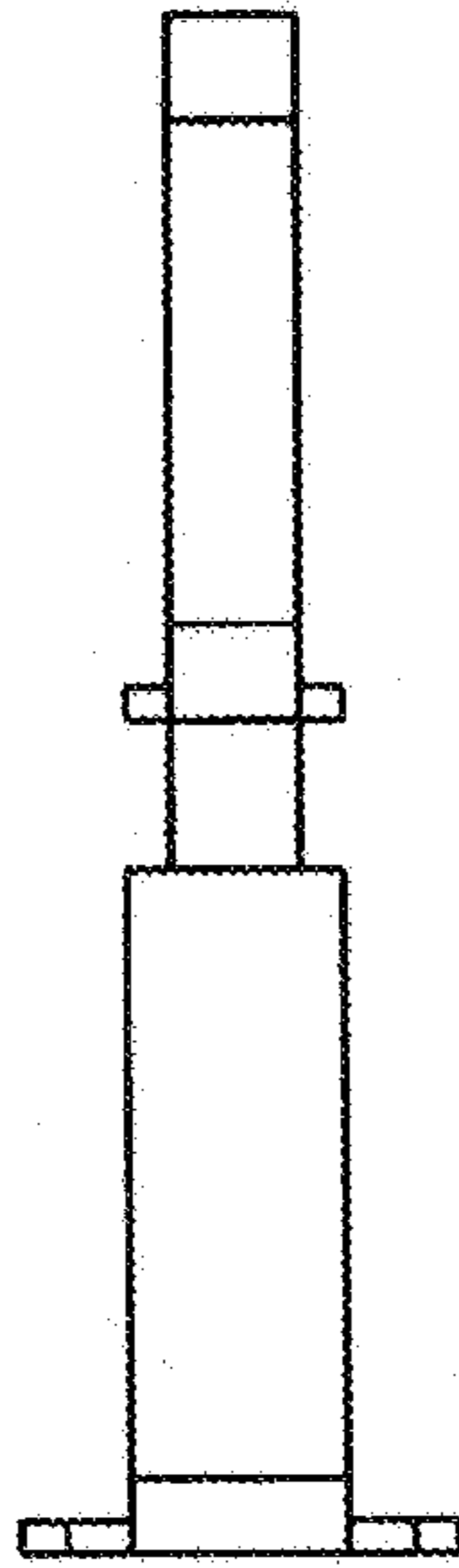


FIG.2

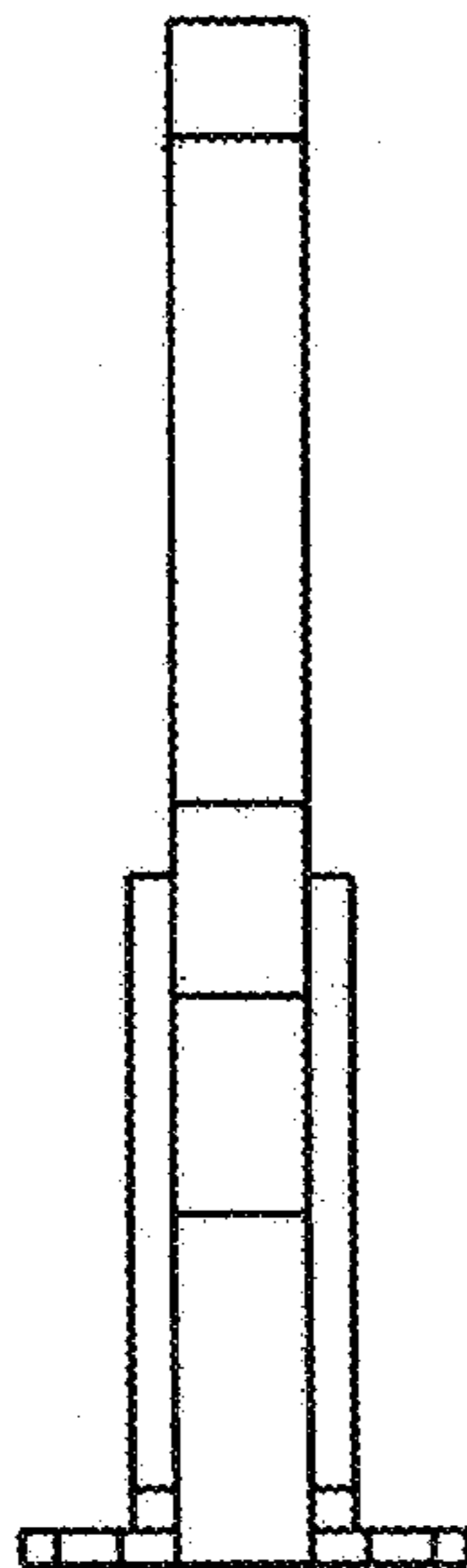


FIG.3

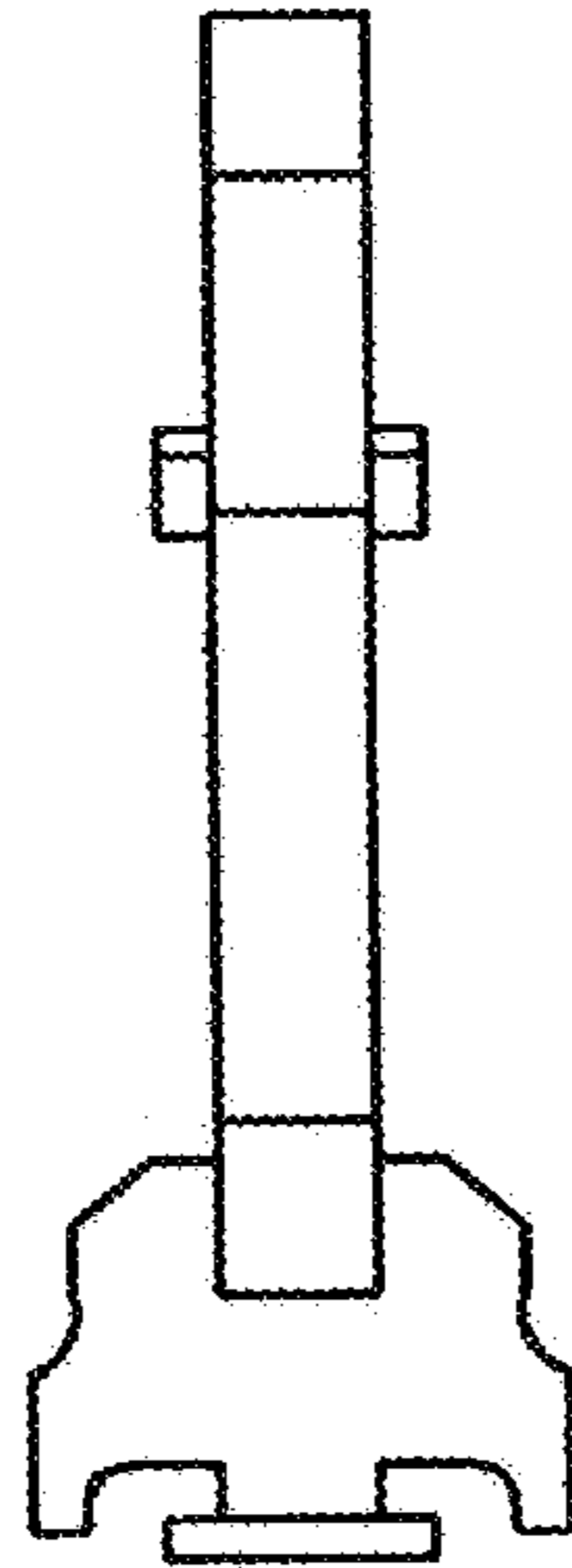


FIG.4

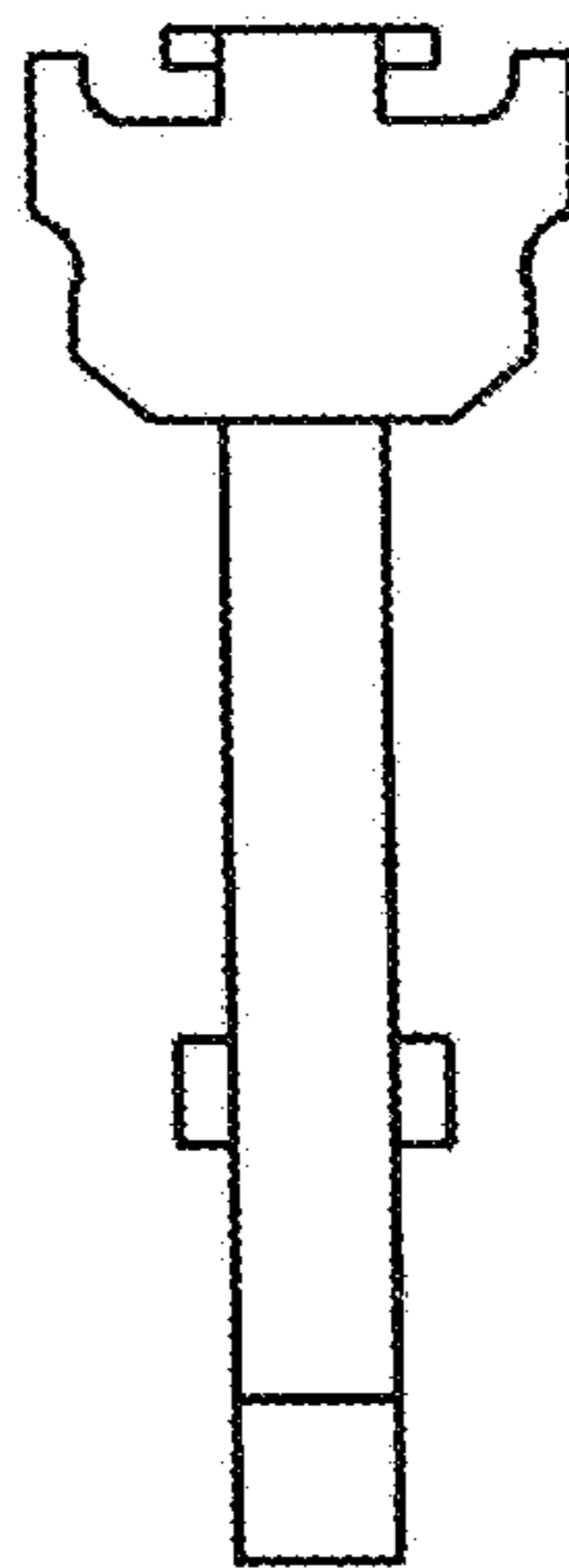


FIG.5

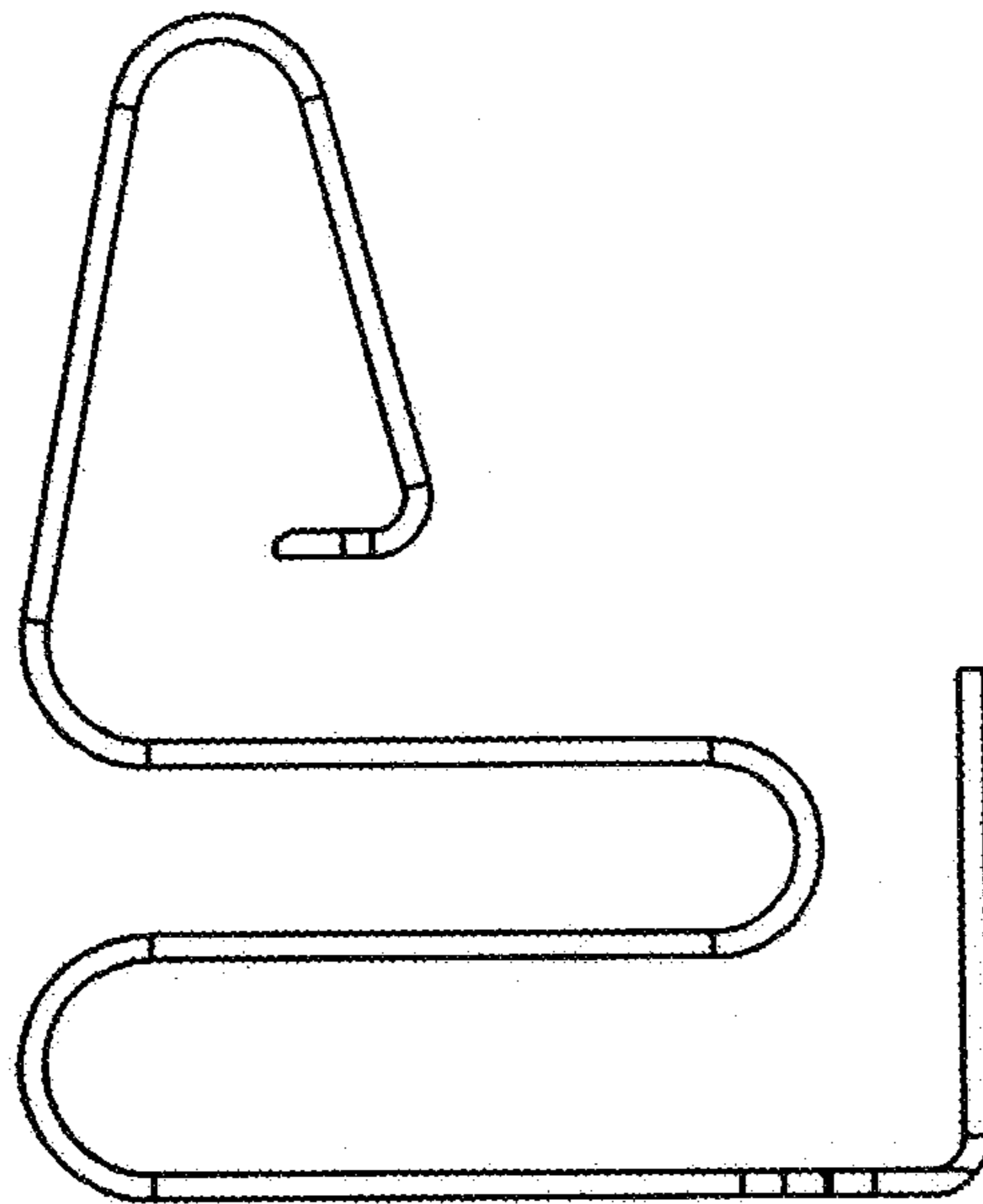


FIG. 6

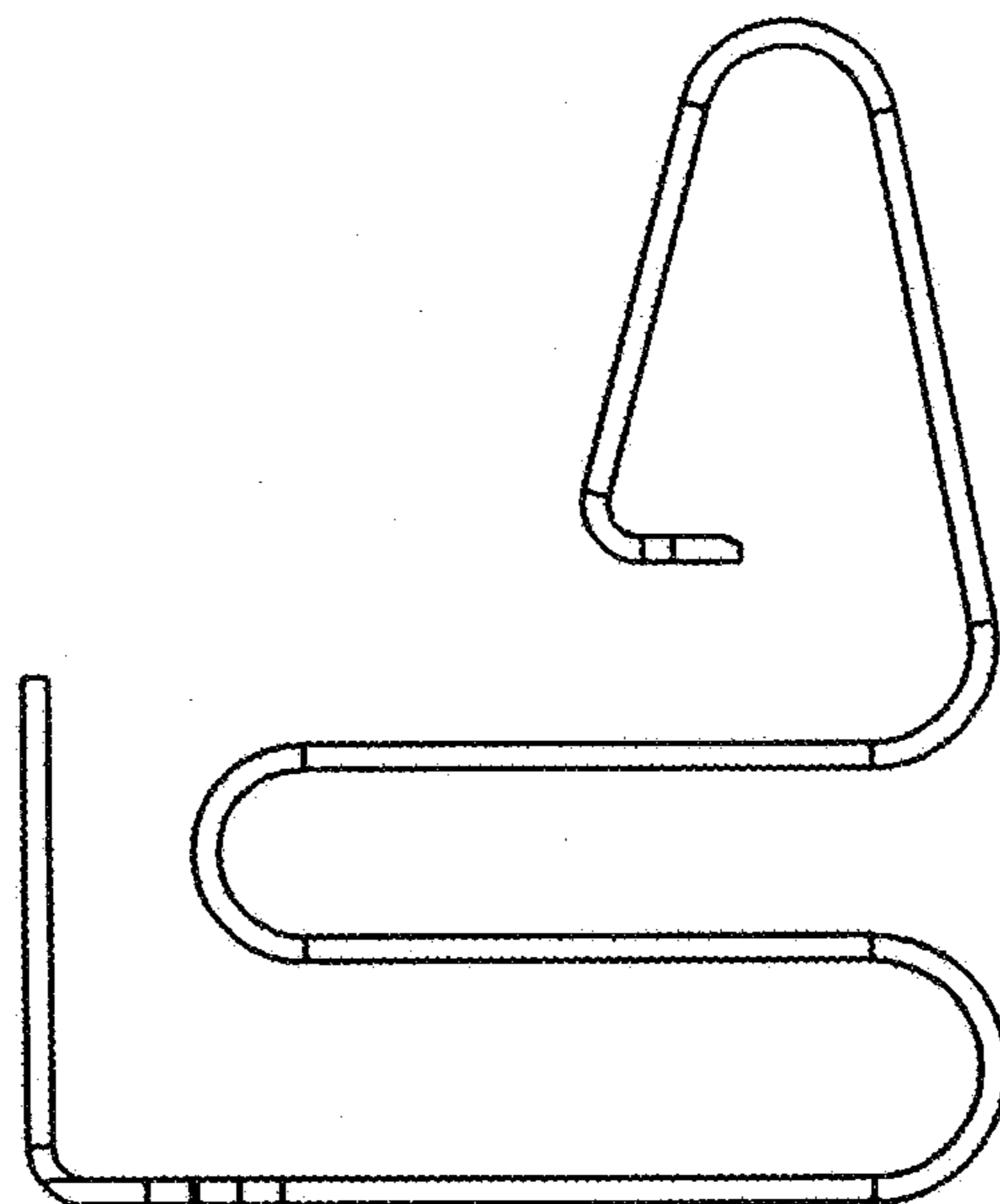


FIG. 7