



US00D556130S

(12) **United States Design Patent**
Tajima et al.

(10) **Patent No.:** **US D556,130 S**

(45) **Date of Patent:** **** Nov. 27, 2007**

(54) **BATTERY PROTECTION CIRCUIT MODULE**

(75) Inventors: **Osamu Tajima**, Atsugi (JP); **Yoshiaki Miyamoto**, Atsugi (JP)

(73) Assignee: **Mitsumi Electric Co., Ltd.**, Tokyo (JP)

(**) Term: **14 Years**

(21) Appl. No.: **29/219,477**

(22) Filed: **Dec. 20, 2004**

(30) **Foreign Application Priority Data**

Jun. 22, 2004 (JP) 2004-018577

(51) **LOC (8) Cl.** **13-03**

(52) **U.S. Cl.** **D13/119**

(58) **Field of Classification Search** D13/102-106,
D13/110, 118-121, 182, 184; 429/1, 7, 46,
429/96-100, 163-164, 176; 361/824
See application file for complete search history.

(56) **References Cited**

U.S. PATENT DOCUMENTS

D357,896 S * 5/1995 Berry D13/103
D399,486 S * 10/1998 Deans D13/120
7,037,608 B2 * 5/2006 Nishimura et al. 429/7

7,081,015 B2 * 7/2006 Jeon 439/569
2003/0170530 A1 * 9/2003 Nishimura et al. 429/61
2006/0216592 A1 * 9/2006 Chun 429/175

* cited by examiner

Primary Examiner—Cathron C. Brooks
Assistant Examiner—Rosemary K. Tarcza
(74) *Attorney, Agent, or Firm*—Sughrue Mion, PLLC

(57) **CLAIM**

The ornamental design for a battery protection circuit module, as shown.

DESCRIPTION

FIG. 1 is a perspective view of the front, left and top sides of a battery protection circuit module showing our new design;

FIG. 2 is a front elevational view thereof;

FIG. 3 is a rear elevational view thereof;

FIG. 4 is a right side elevational view thereof;

FIG. 5 is a left side elevational view thereof;

FIG. 6 is a top plan view thereof; and,

FIG. 7 is a bottom plan view thereof.

1 Claim, 2 Drawing Sheets

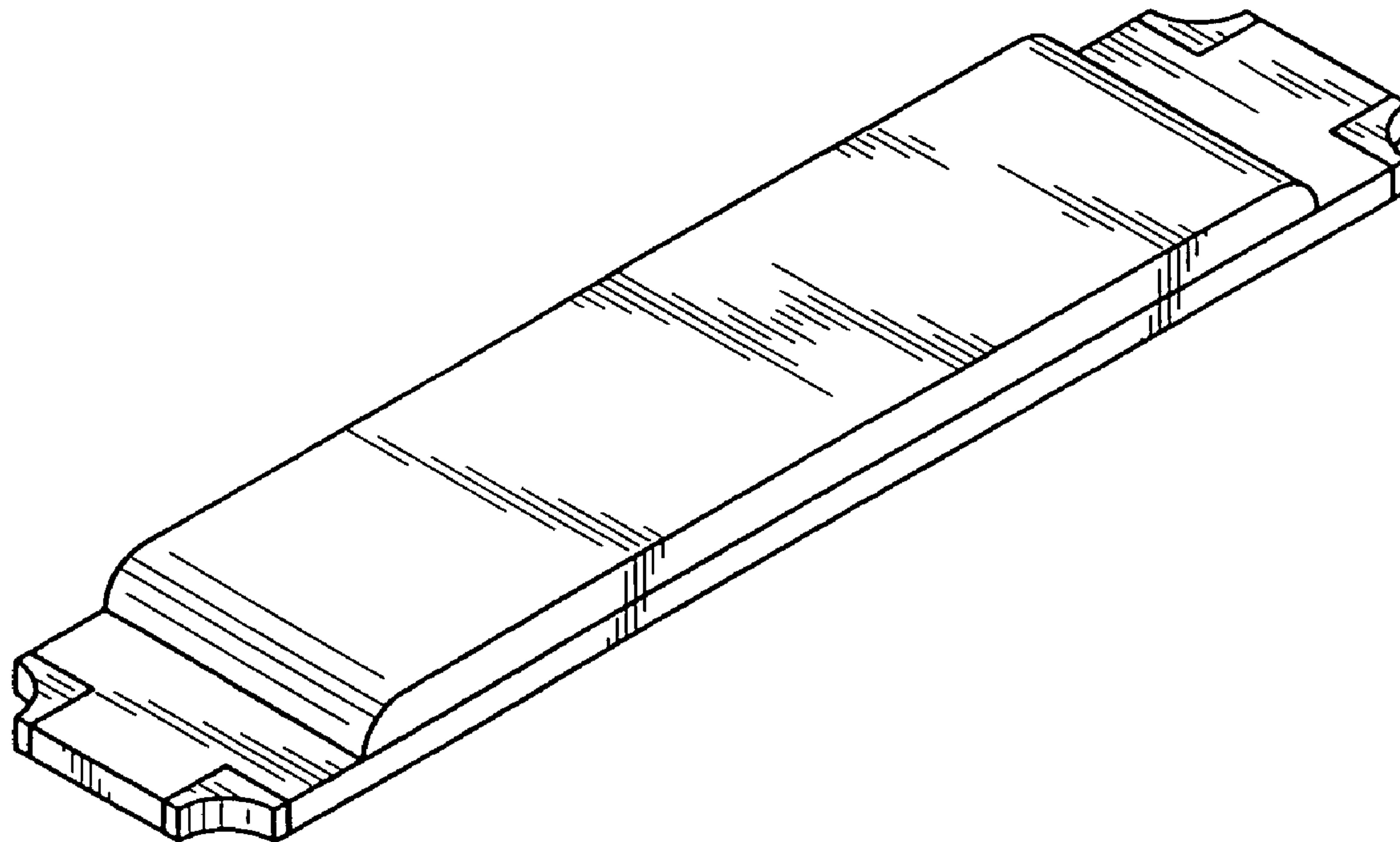


FIG. 1

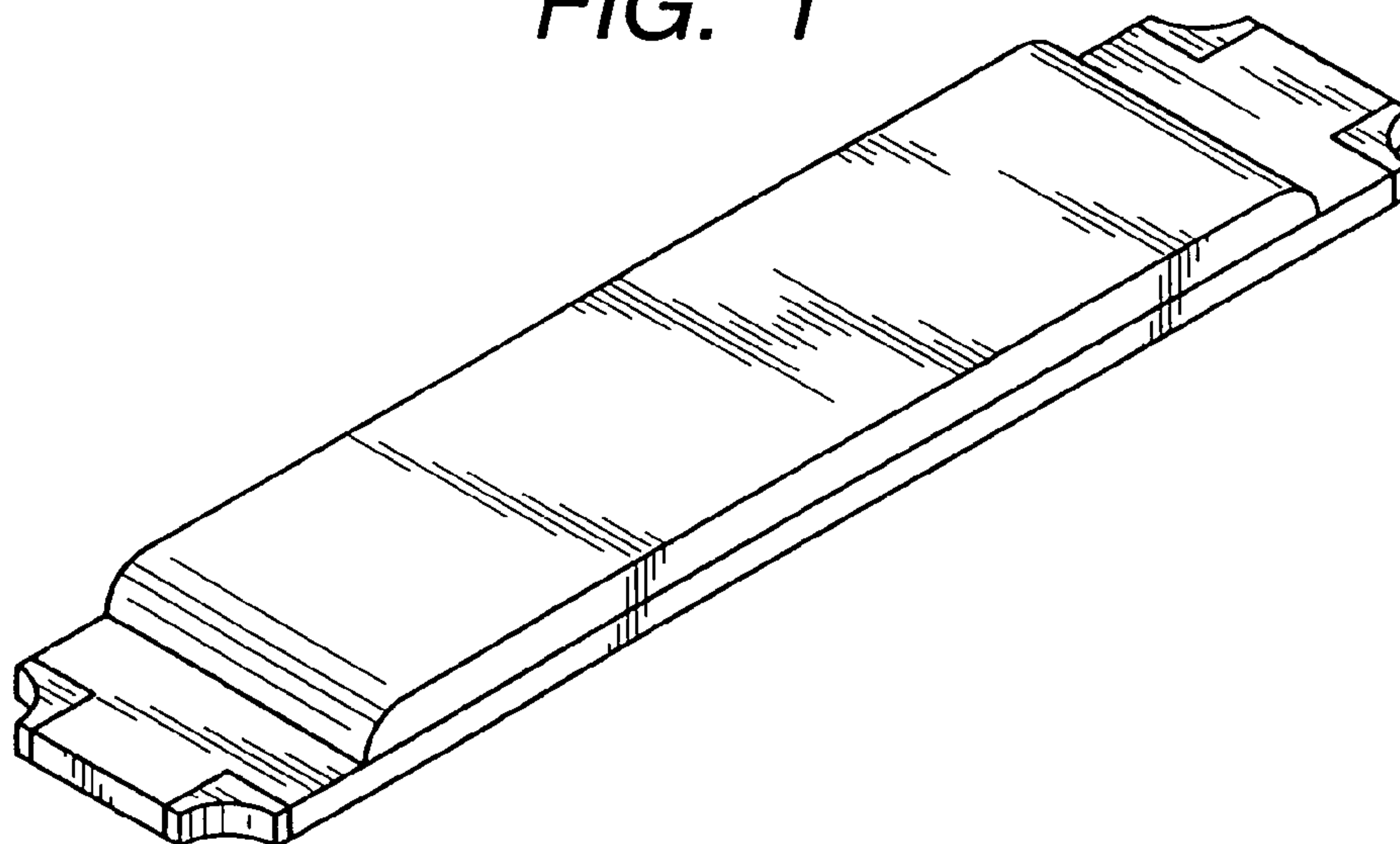


FIG. 2

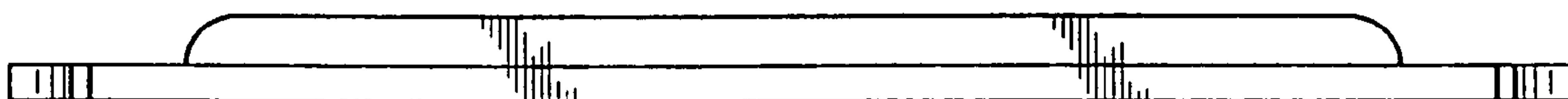


FIG. 3



FIG. 4

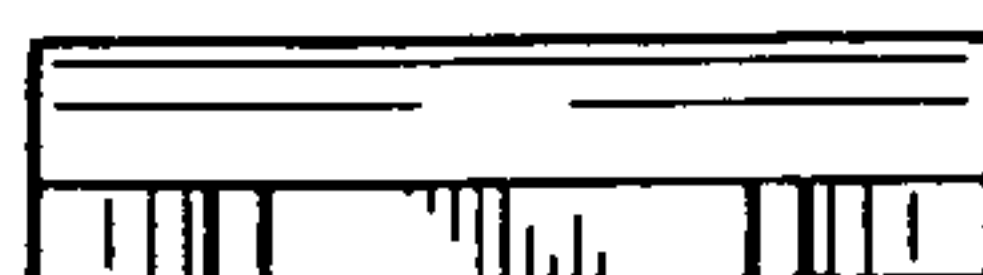


FIG. 5



FIG. 6

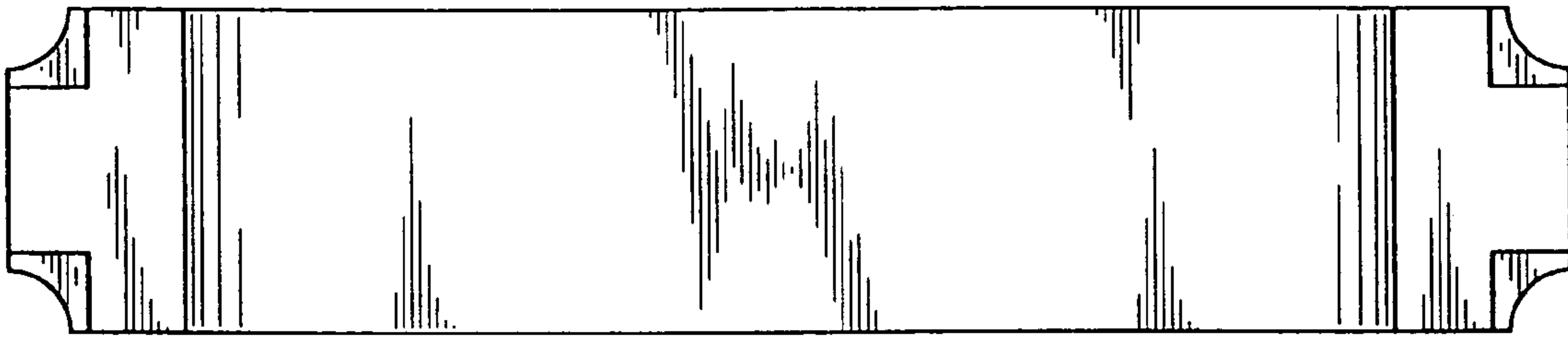


FIG. 7

