



US00D556128S

(12) **United States Design Patent** (10) **Patent No.:** **US D556,128 S**
Miyakawa et al. (45) **Date of Patent:** **** Nov. 27, 2007**

(54) **OPTICAL TRANSMISSION CONVERSION DEVICE**

D481,676 S * 11/2003 Huang D13/123
D487,723 S * 3/2004 Shimada D13/101
D489,038 S * 4/2004 Shimada D13/101

(75) Inventors: **Takeshi Miyakawa**, Yokohama (JP);
Shigeyuki Sakura, Kawasaki (JP);
Motoyasu Morinaga, Chigasaki (JP)

FOREIGN PATENT DOCUMENTS

CN	3287440	4/2003
CN	3287441D	4/2003
JP	1170087	4/2003
TW	100137	8/2004

(73) Assignee: **Kabushiki Kaisha Toshiba** (JP)

(**) Term: **14 Years**

* cited by examiner

(21) Appl. No.: **29/254,985**

Primary Examiner—Prabhakar Deshmukh

Assistant Examiner—Derrick Holland

(22) Filed: **Mar. 3, 2006**

(74) *Attorney, Agent, or Firm*—Banner & Witcoff, Ltd.

(30) **Foreign Application Priority Data**

Dec. 5, 2005 (JP) 2005-035848

(57) **CLAIM**

The ornamental design for an optical transmission conversion device, as shown and described.

(51) **LOC (8) Cl.** **13-02**

(52) **U.S. Cl.** **D13/101; D13/123**

(58) **Field of Classification Search** D13/101,
D13/123, 147, 199; D16/130; 250/208.1,
250/214 LA, 239; 385/88, 92, 94, 125; 398/135,
398/182, 196–199, 200, 201
See application file for complete search history.

DESCRIPTION

FIG. 1 is a front, top and right side perspective view of an optical transmission conversion device, showing our new design;

FIG. 2 is a front elevational view thereof;

FIG. 3 is a rear elevational view thereof;

FIG. 4 is a top plan view thereof;

FIG. 5 is a bottom plan view thereof;

FIG. 6 is a left side elevational view thereof; and,

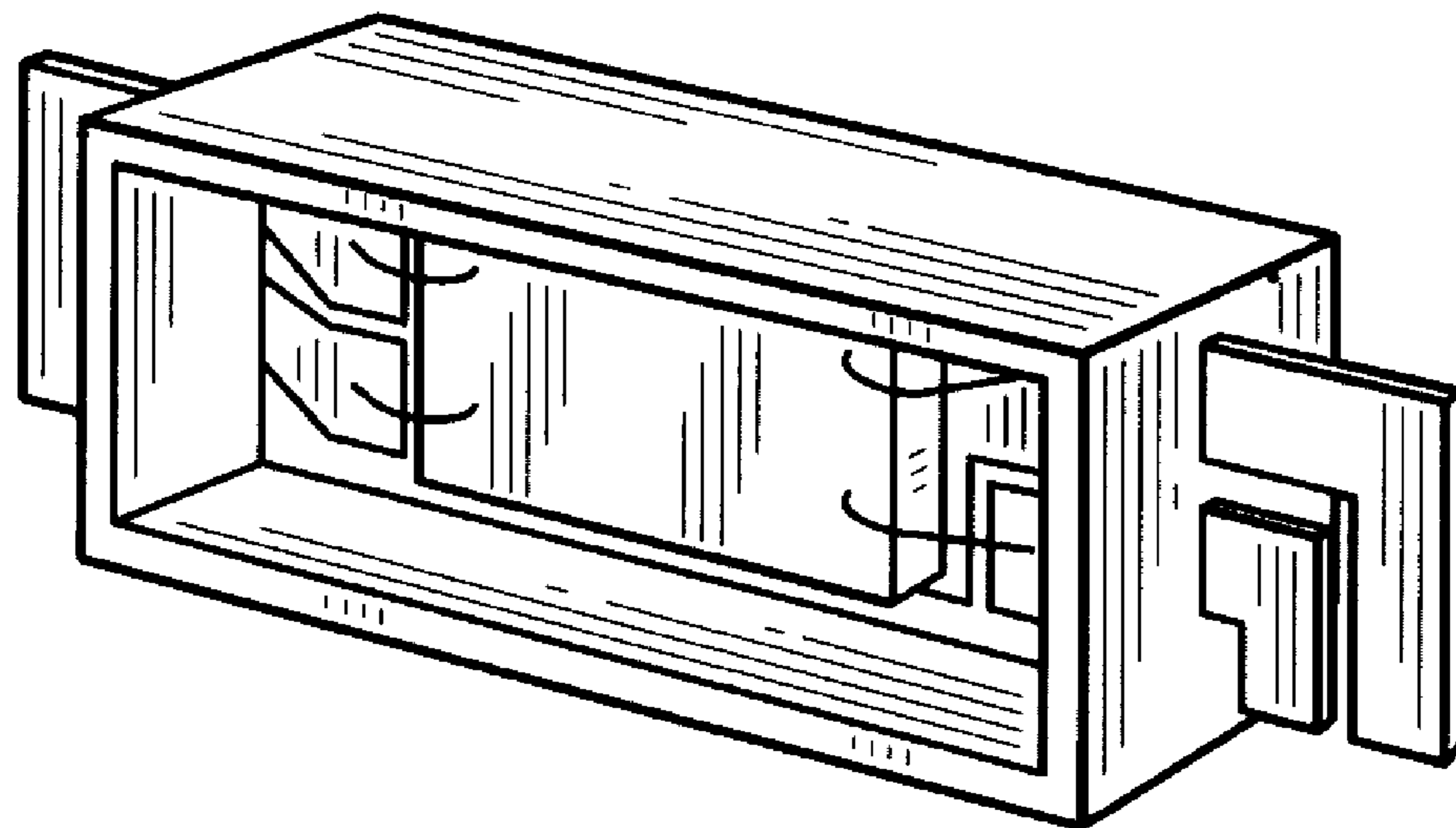
FIG. 7 is a right side elevational view thereof.

(56) **References Cited**

U.S. PATENT DOCUMENTS

4,309,605	A *	1/1982	Okabe	250/239
5,399,858	A *	3/1995	Kinoshita	250/239
5,545,893	A *	8/1996	Brown et al.	250/239
6,048,106	A *	4/2000	Iwase	385/88
6,290,402	B1 *	9/2001	Shishikura et al.	385/88

1 Claim, 3 Drawing Sheets



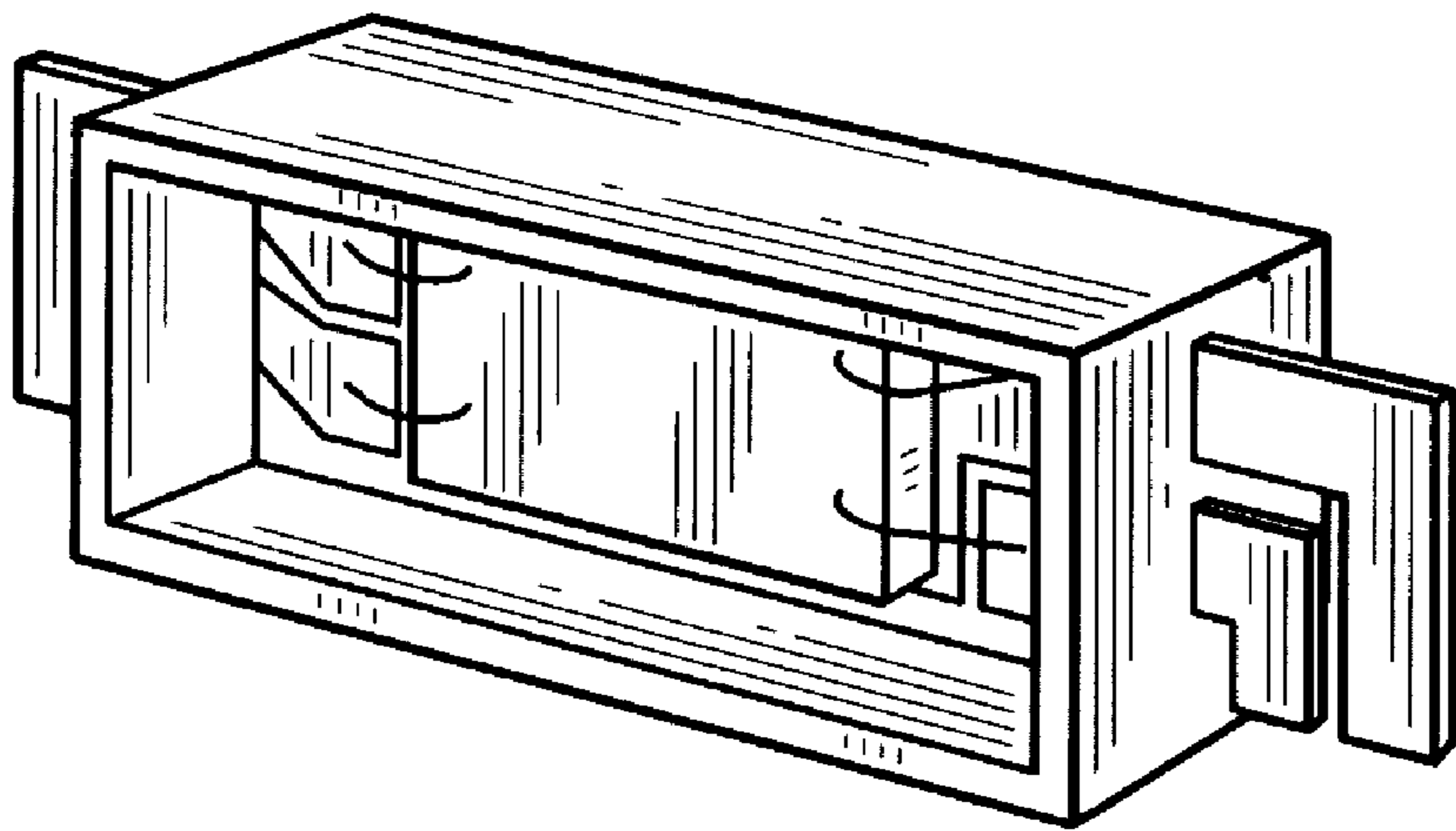


FIG. 1

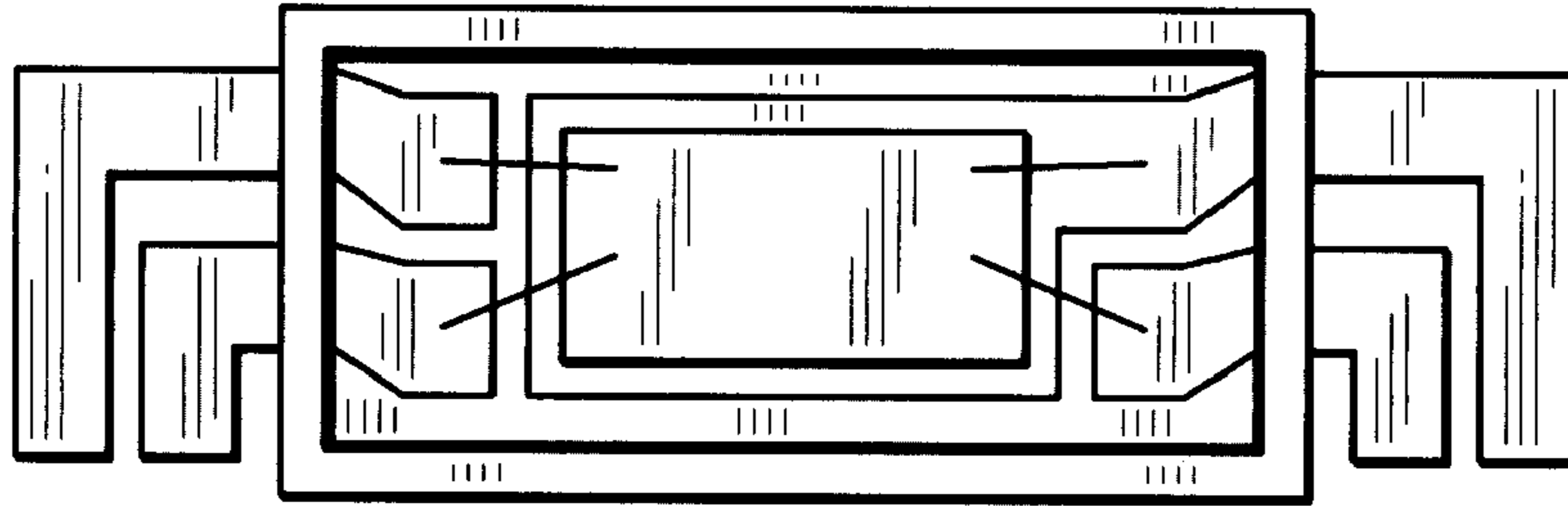


FIG. 2

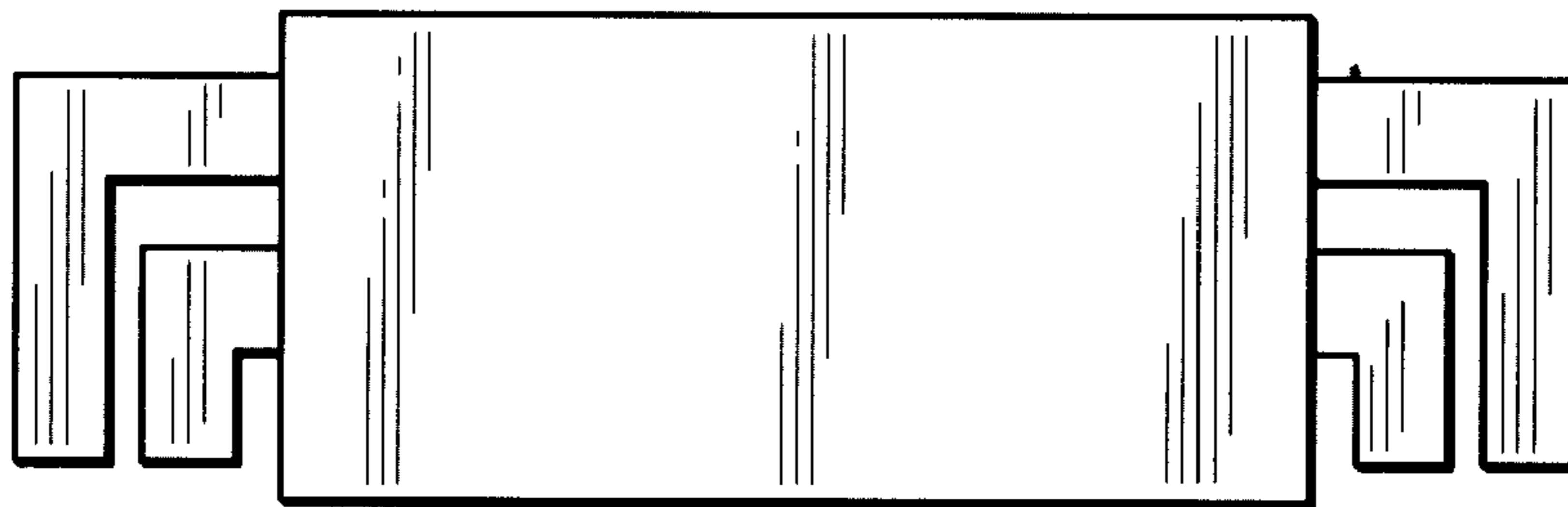


FIG. 3

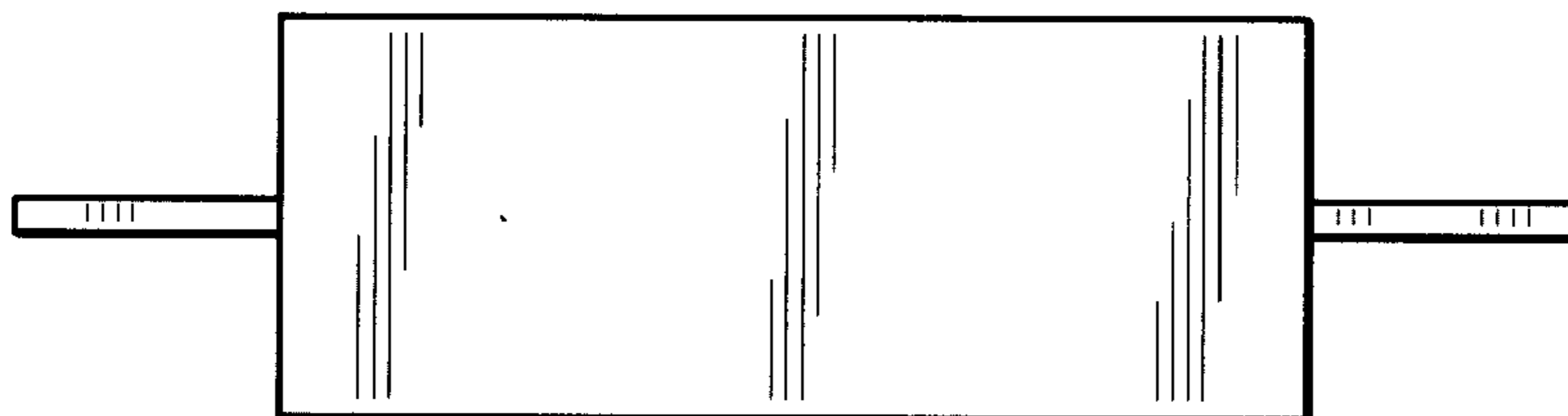


FIG. 4

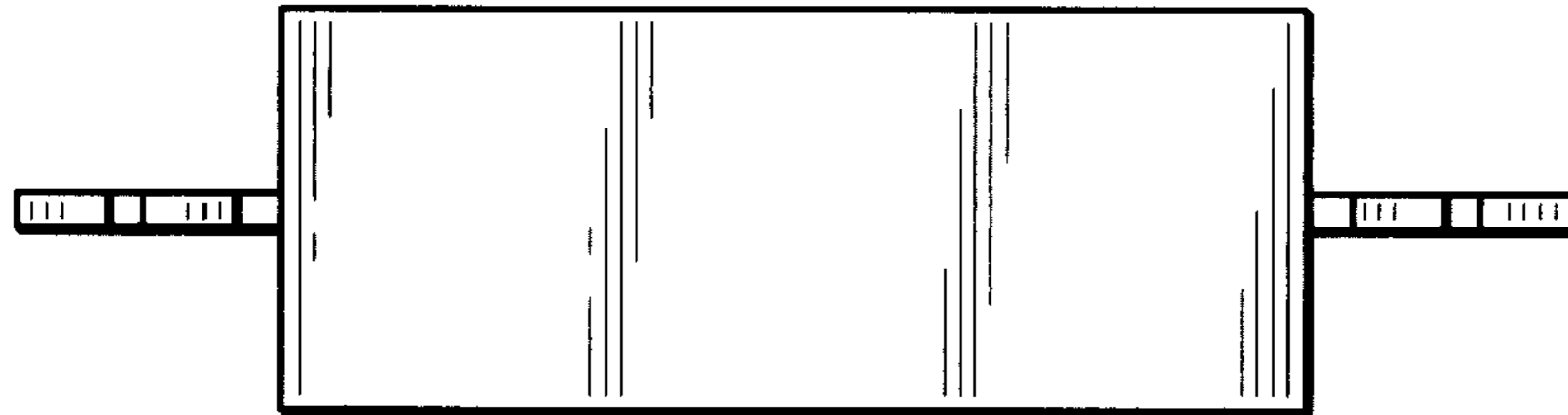


FIG.5

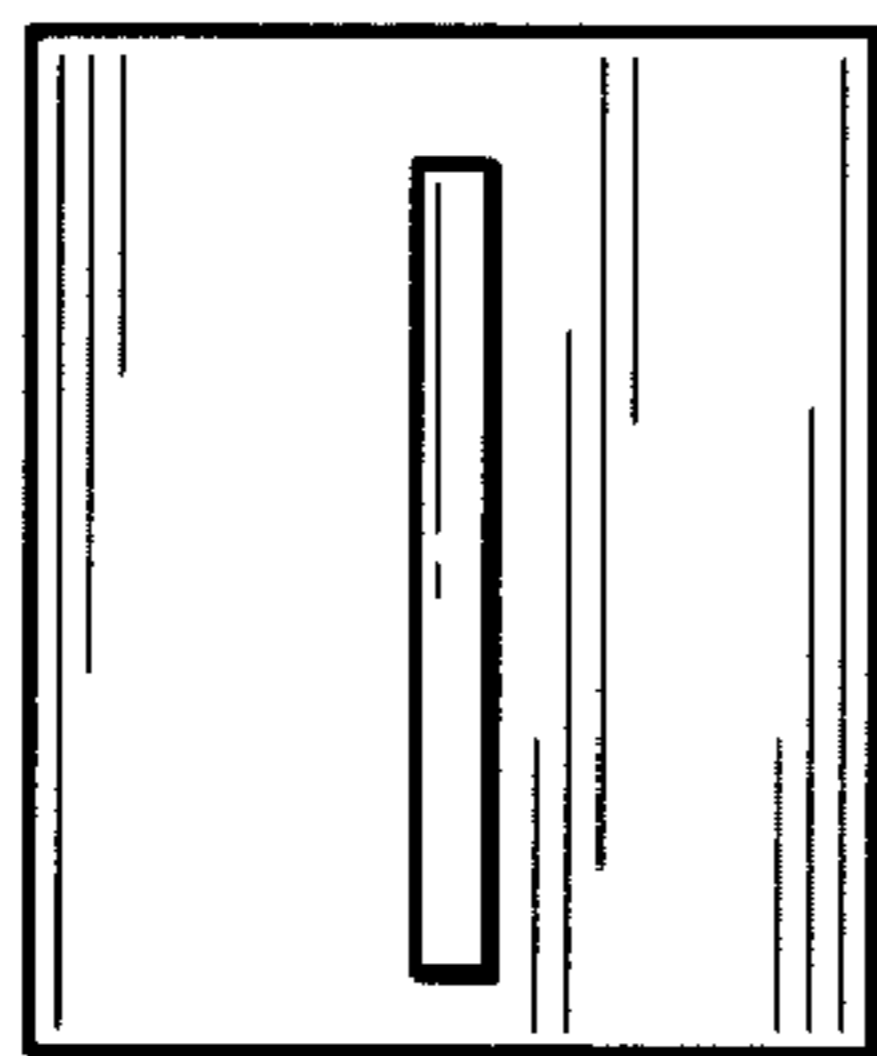


FIG.6

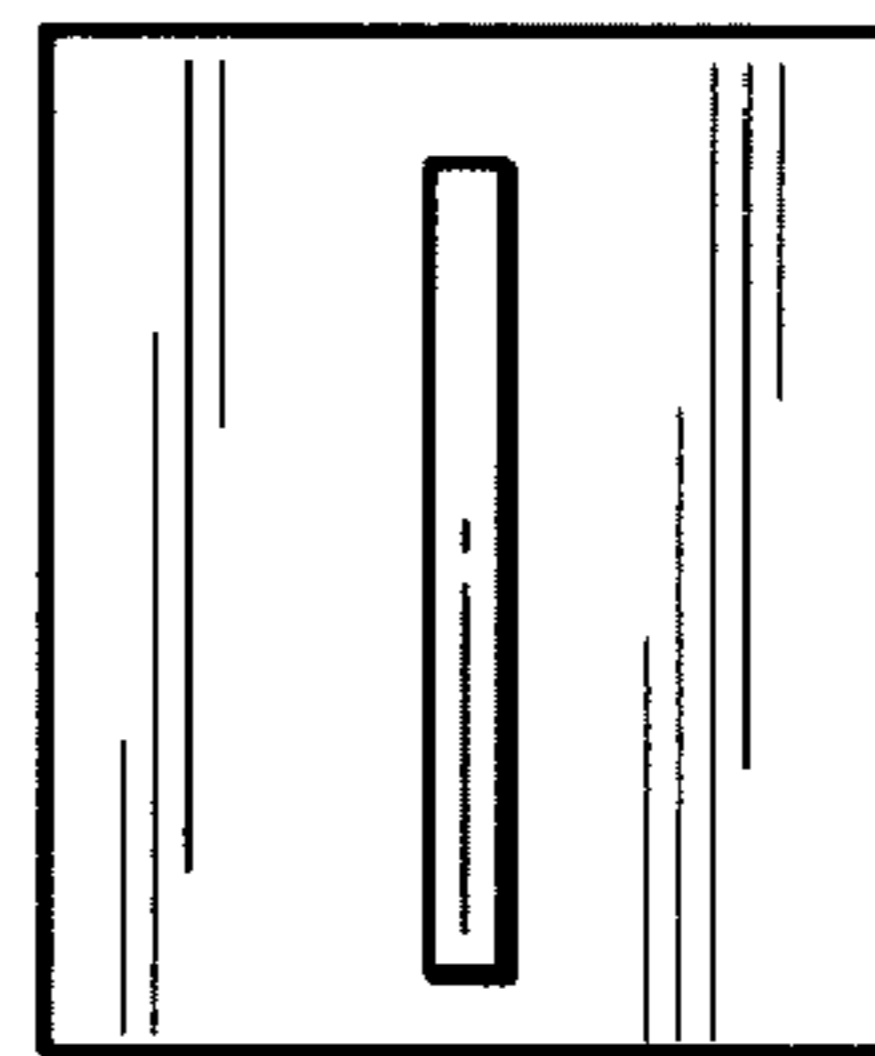


FIG.7