



US00D556119S

(12) **United States Design Patent**
Esaki et al.

(10) **Patent No.:** **US D556,119 S**

(45) **Date of Patent:** **** Nov. 27, 2007**

(54) **CONSOLE FOR AN AUTOMOBILE**

(75) Inventors: **Hideki Esaki**, Toyota (JP); **Aiji Shimizu**, Toyota (JP); **Satoru Miyazaki**, Yokosuka (JP); **Itirou Mukai**, Kariya (JP)

(73) Assignee: **Toyota Jidosha Kabushiki Kaisha** (JP)

(**) Term: **14 Years**

(21) Appl. No.: **29/270,091**

(22) Filed: **Dec. 14, 2006**

(51) **LOC (8) Cl.** **12-16**

(52) **U.S. Cl.** **D12/415**

(58) **Field of Classification Search** D12/192,
D12/179, 415, 419, 421-425; 296/37.1,
296/37.6-37.16, 153; 224/42.11, 42.24-42.25,
224/275, 400; 297/411.2, 411.23, 411.26;
280/750-752; 180/90

See application file for complete search history.

(56) **References Cited**

U.S. PATENT DOCUMENTS

D385,847 S * 11/1997 Ma et al. D12/415
D429,685 S * 8/2000 Rueckert et al. D12/415
D447,998 S * 9/2001 Pfeiffer et al. D12/415
D448,720 S * 10/2001 Nash et al. D12/419
D474,137 S * 5/2003 Wyszogrod D12/192

D474,441 S * 5/2003 Hill et al. D12/415
D494,903 S * 8/2004 Kneefel et al. D12/196
D494,909 S * 8/2004 Pfeiffer D12/192
D504,372 S * 4/2005 Juraschek D12/192
D522,957 S * 6/2006 Miyashita D12/424
D528,485 S * 9/2006 Montijo et al. D12/192

OTHER PUBLICATIONS

Mazda, Premacy, All About The latest Minivans, Jan. 29, 2006, Sanei-Shobo Publishing Co., Ltd.

Opel, Zafira, All About The latest Minivans, Jan. 29, 2006, Sanei-Shobo Publishing Co., Ltd.

* cited by examiner

Primary Examiner—Stacia Cadmus

(74) *Attorney, Agent, or Firm*—SAIDMAN DesignLaw Group

(57) **CLAIM**

The ornamental design for a console for an automobile, as shown and described.

DESCRIPTION

FIG. 1 is a front perspective view of a console for an automobile showing our new design;

FIG. 2 is a front view thereof; and,

FIG. 3 is a top plan view thereof.

1 Claim, 2 Drawing Sheets

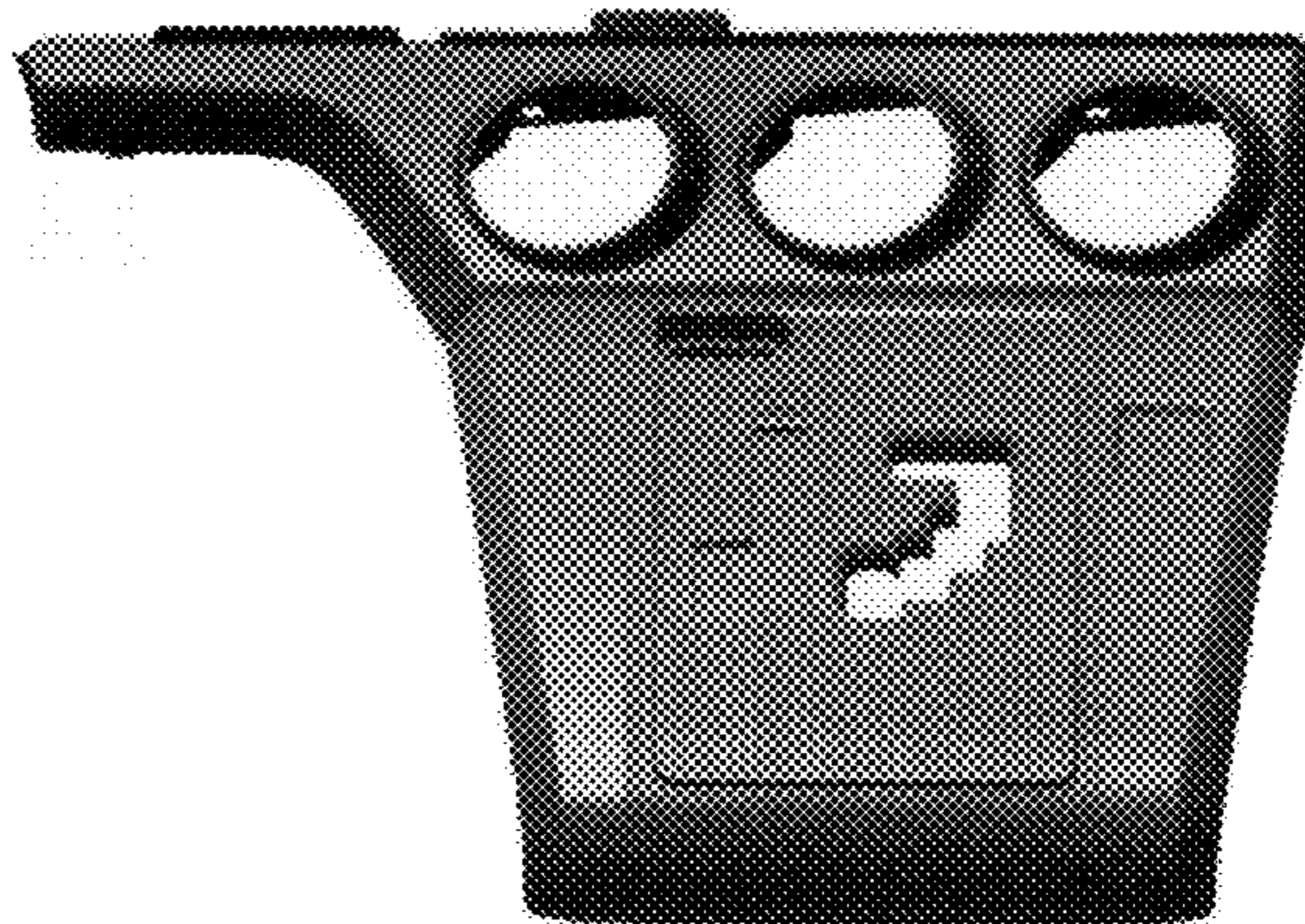




FIG. 1

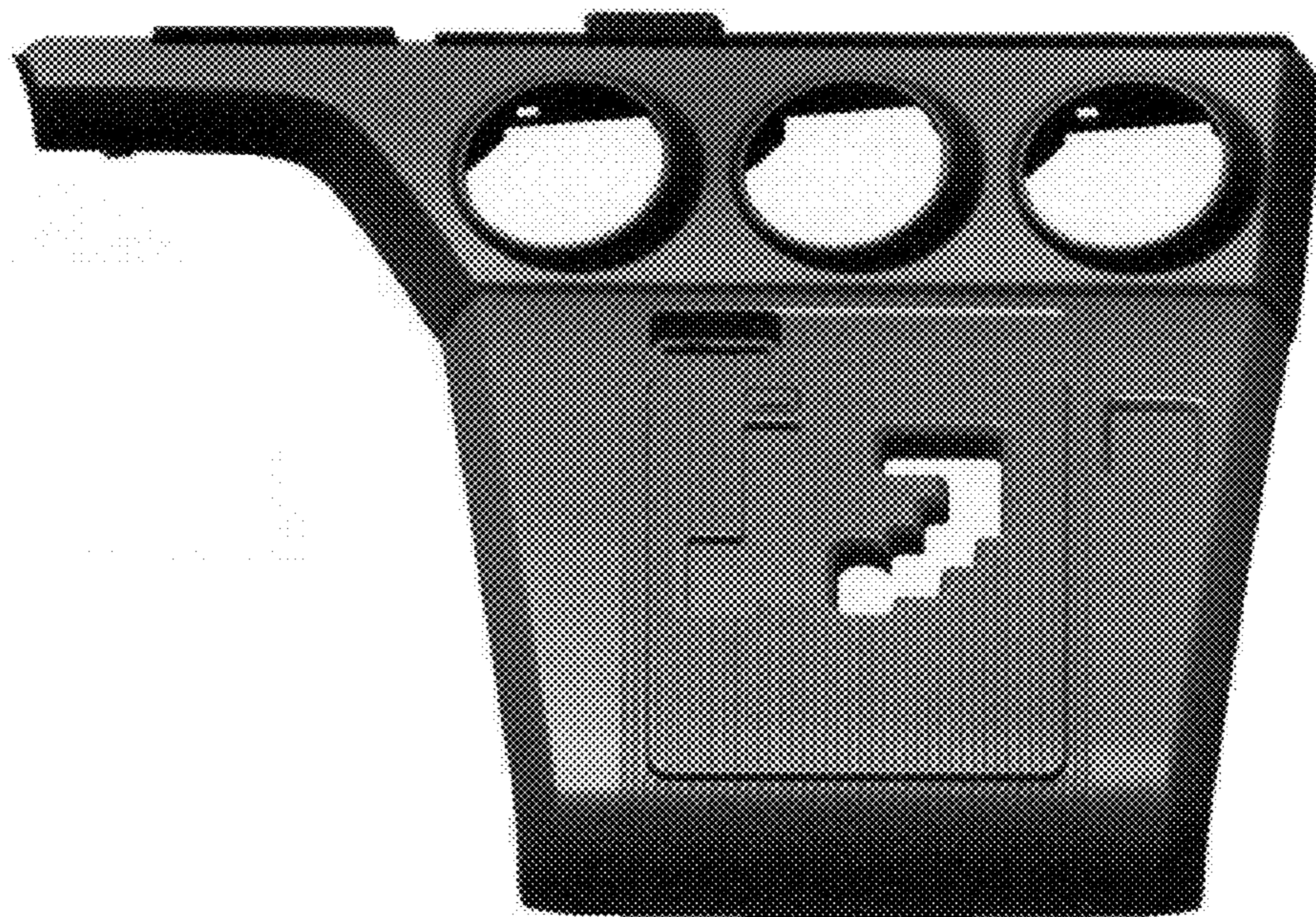


FIG. 2



FIG. 3