



US00D556118S

(12) **United States Design Patent**
Claes

(10) **Patent No.:** **US D556,118 S**

(45) **Date of Patent:** **** Nov. 27, 2007**

(54) **PORTION OF A WINDSHIELD WIPER**

(75) Inventor: **Dave Claes**, Tildonk (BE)

(73) Assignee: **Robert Bosch GmbH**, Stuttgart (DE)

(**) Term: **14 Years**

(21) Appl. No.: **29/224,293**

(22) Filed: **Feb. 23, 2005**

(30) **Foreign Application Priority Data**

Aug. 23, 2004 (DE) 4 04 04 802

(51) **LOC (8) Cl.** **12-06**

(52) **U.S. Cl.** **D12/220**

(58) **Field of Classification Search** D12/219–220;
15/250.451–250.454, 250.48, 250.361, 250.05–250.07,
15/250.31–250.33, 250.351, 250.4–250.42,
15/250.38

See application file for complete search history.

(56) **References Cited**

U.S. PATENT DOCUMENTS

D357,891 S *	5/1995	Lee	D12/220
D389,449 S *	1/1998	Hussaini	D12/220
5,807,016 A *	9/1998	Herring et al.	15/250.31
D404,354 S *	1/1999	Witek et al.	D12/220
D410,889 S *	6/1999	Lee	D12/220
D411,503 S *	6/1999	Lee	D12/220
D418,474 S *	1/2000	Witek et al.	D12/220
D480,679 S *	10/2003	Lee	D12/220
D540,243 S *	4/2007	Herring et al.	D12/220

D545,752 S * 7/2007 Boland et al. D12/220

* cited by examiner

Primary Examiner—Stacia Cadmus

(74) *Attorney, Agent, or Firm*—Michael Best & Friedrich LLP

(57) **CLAIM**

I claim the ornamental design for a portion of a windshield wiper, as shown and described.

DESCRIPTION

FIG. 1 is a perspective view of a portion of a windshield wiper embodying my invention.

FIG. 2 is a top plan view of the portion shown in FIG. 1.

FIG. 3 is an enlarged left end view of the portion as seen in FIG. 2.

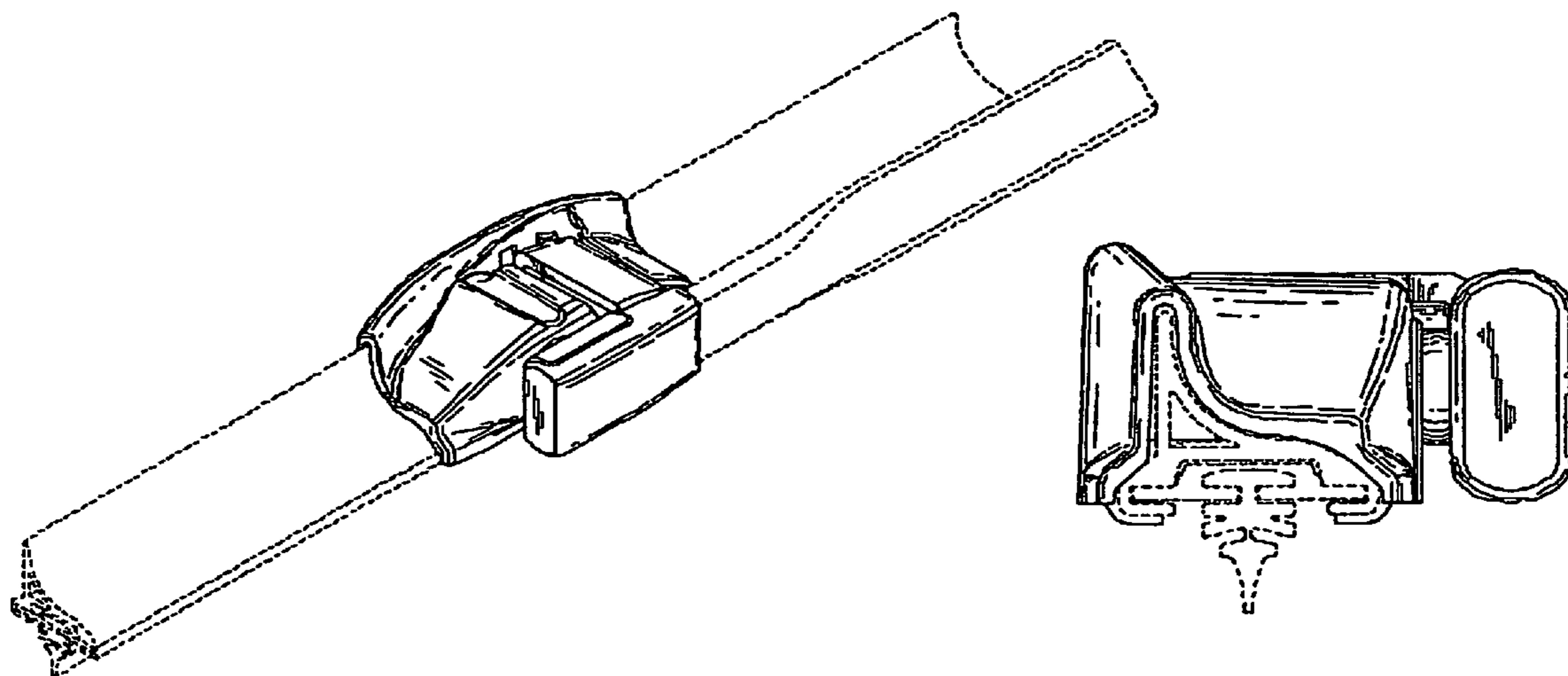
FIG. 4 is an enlarged right end view of the portion as seen in FIG. 2.

FIG. 5 is a front elevational view of the portion of a windshield wiper shown in FIG. 1; and,

FIG. 6 is a rear elevational view of the portion of a windshield wiper shown in FIG. 1.

The present application is directed to the shape and contour of the design illustrated in the drawings. The broken line showing of the environment in FIGS. 1–6 is for illustrative purposes only and forms no part of the claimed design. The bottom of the portion shown in FIGS. 1–6 is not part of the claimed design.

1 Claim, 4 Drawing Sheets



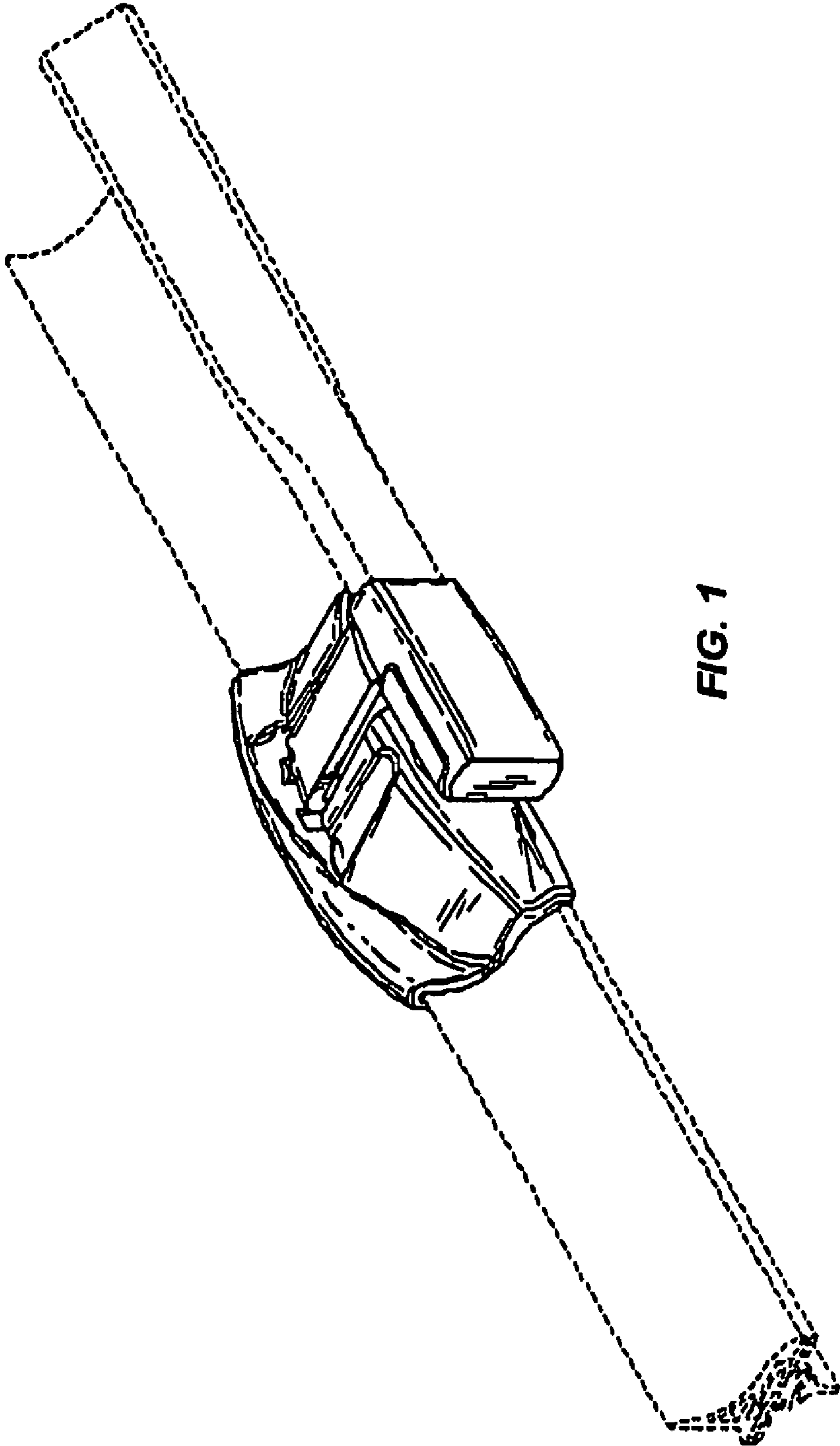


FIG. 1

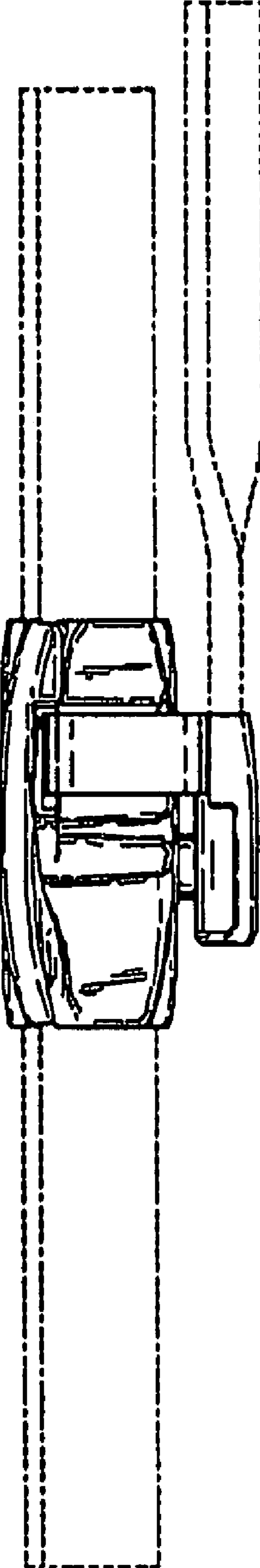


FIG. 2

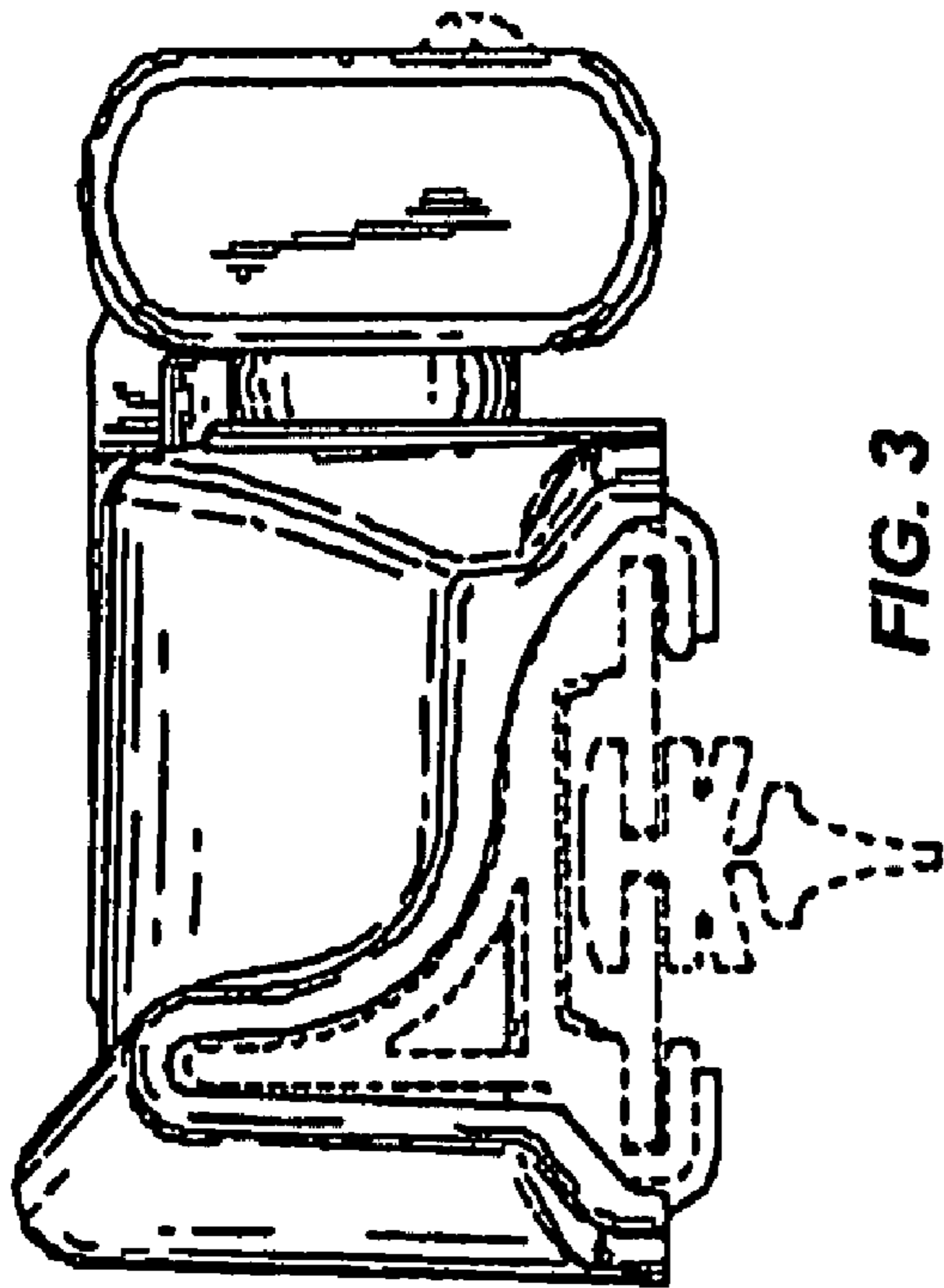


FIG. 3

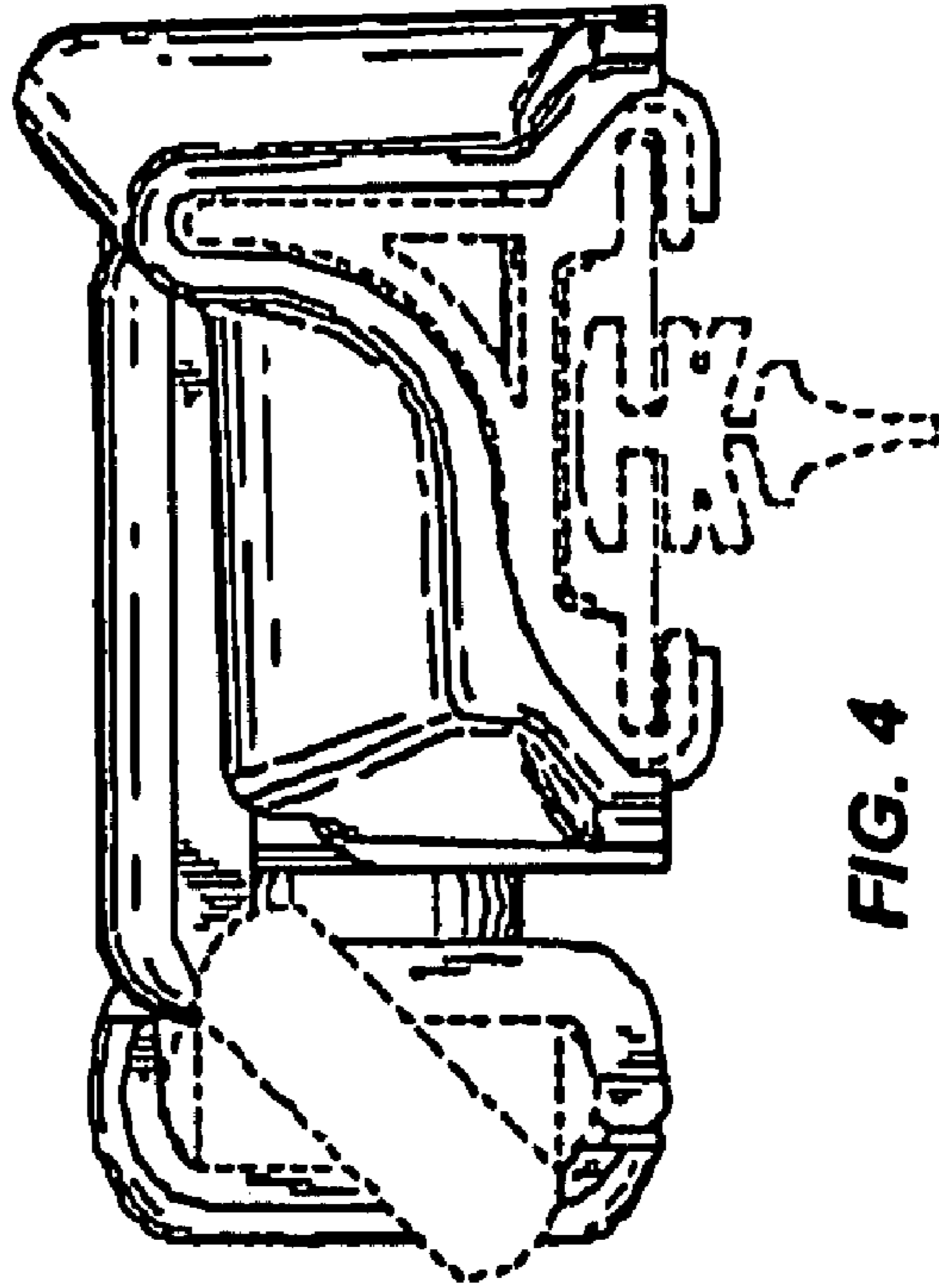


FIG. 4

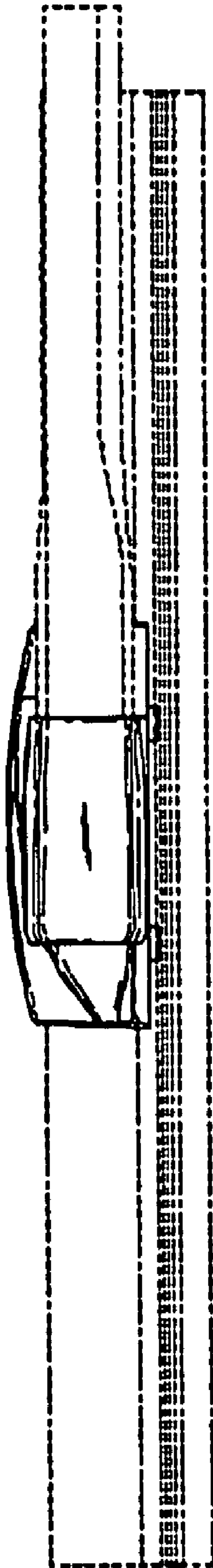


FIG. 5

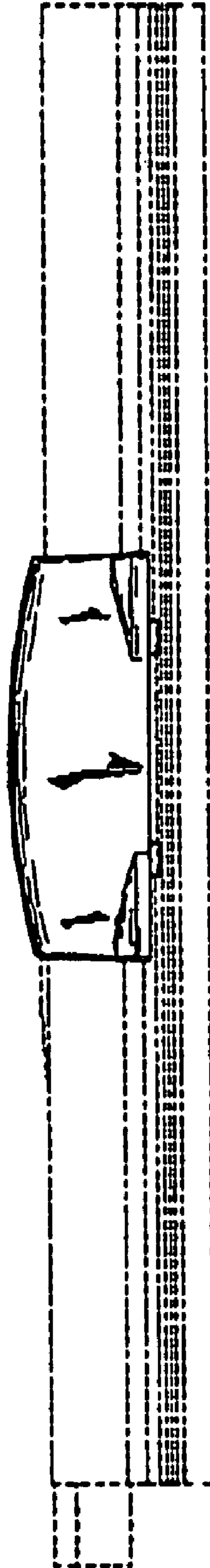


FIG. 6