



US00D556114S

(12) **United States Design Patent**
Hardesty Thompson

(10) **Patent No.:** **US D556,114 S**

(45) **Date of Patent:** **** Nov. 27, 2007**

(54) **BRAKE RESERVOIR**

(76) Inventor: **Sky Michael Hardesty Thompson**,
5446 Hyada Blvd. NE., Tacoma, WA
(US) 98422

(**) Term: **14 Years**

(21) Appl. No.: **29/259,201**

(22) Filed: **May 4, 2006**

(51) **LOC (8) Cl.** **12-11**

(52) **U.S. Cl.** **D12/218**

(58) **Field of Classification Search** D12/110,
D12/114, 126, 179, 180, 218; 188/24.11-24.22,
188/26, 151 R, 344; 60/533, 585-594; 280/833,
280/835

See application file for complete search history.

(56) **References Cited**

U.S. PATENT DOCUMENTS

D376,340 S 12/1996 Davidson et al.
5,655,372 A * 8/1997 Branum et al. 60/585
6,871,729 B2 3/2005 Huster et al.

* cited by examiner

Primary Examiner—Cathron C. Brooks

Assistant Examiner—Linda Brooks

(74) *Attorney, Agent, or Firm*—Polly L Oliver

(57) **CLAIM**

The ornamental design for a brake reservoir, as shown and described.

DESCRIPTION

FIG. 1 is a front view of the present invention;
FIG. 2 is a back view of the present invention;
FIG. 3 is a top view of the present invention;
FIG. 4 is a bottom view of the present invention;
FIG. 5 is a left side view of the present invention;
FIG. 6 is a right side view of the present invention;
FIG. 7 is a top left perspective view of the present invention;
and,
FIG. 8 is a bottom right perspective view of the present invention.

1 Claim, 4 Drawing Sheets



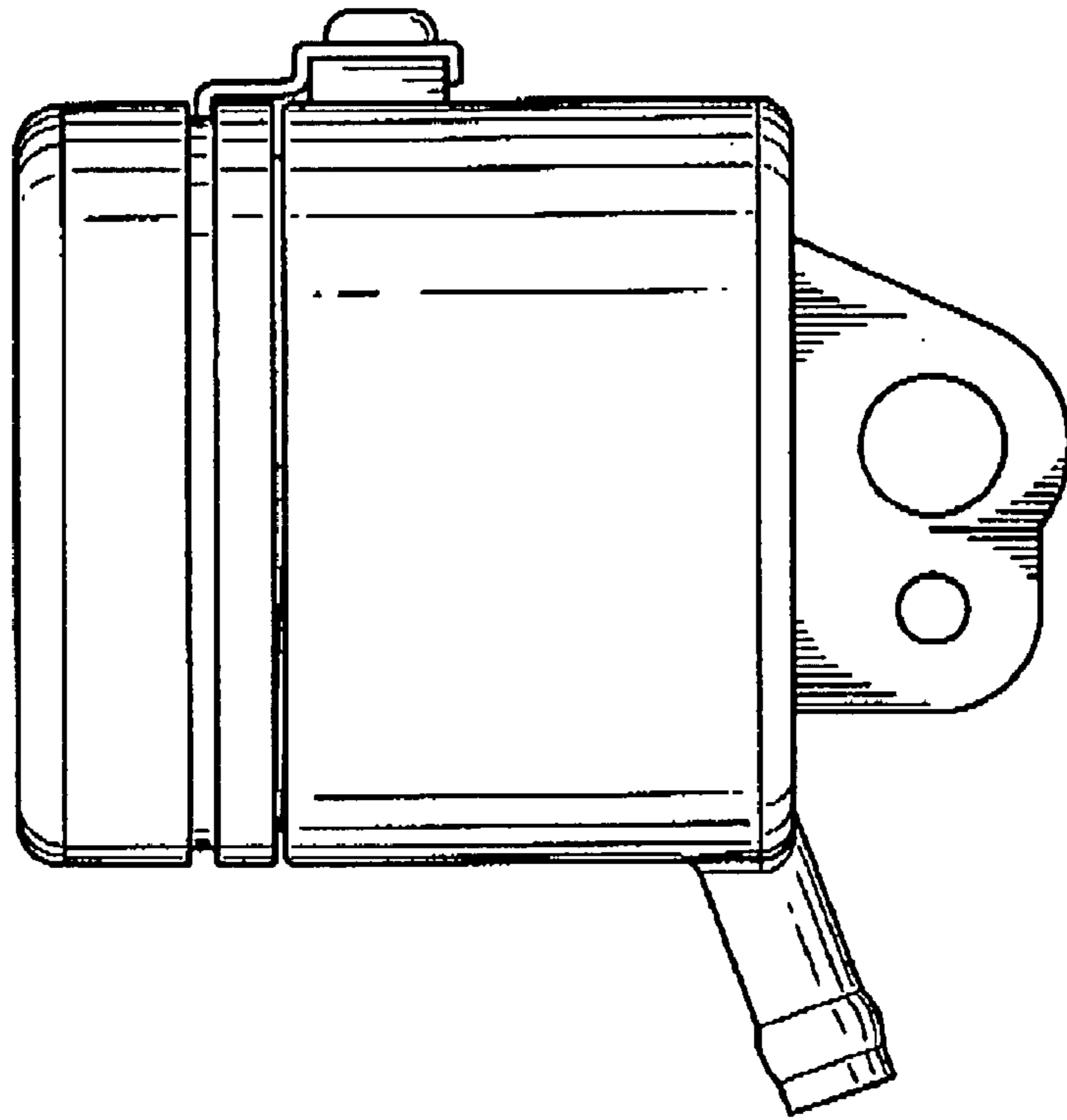


FIG. 2

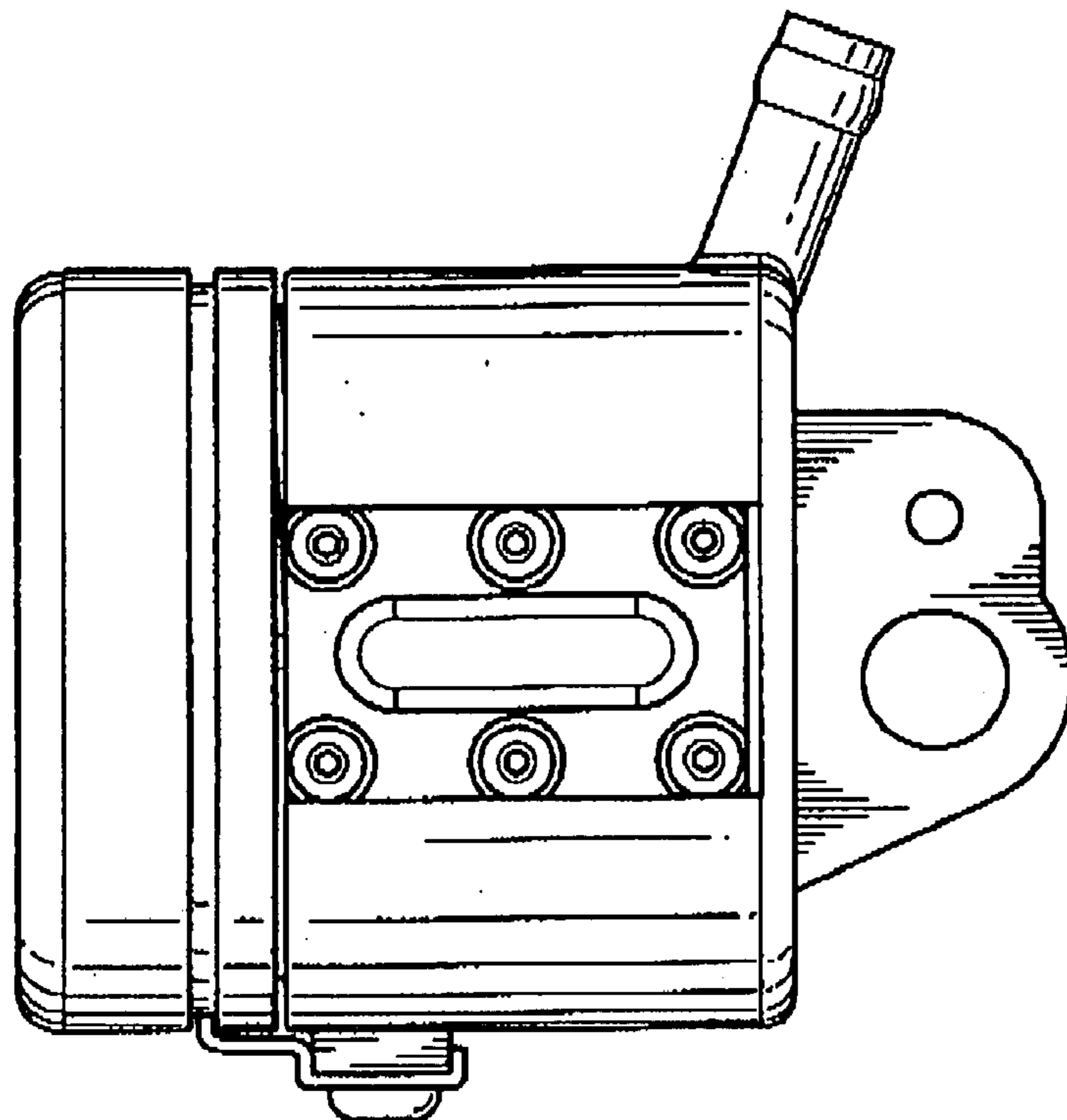


FIG. 1

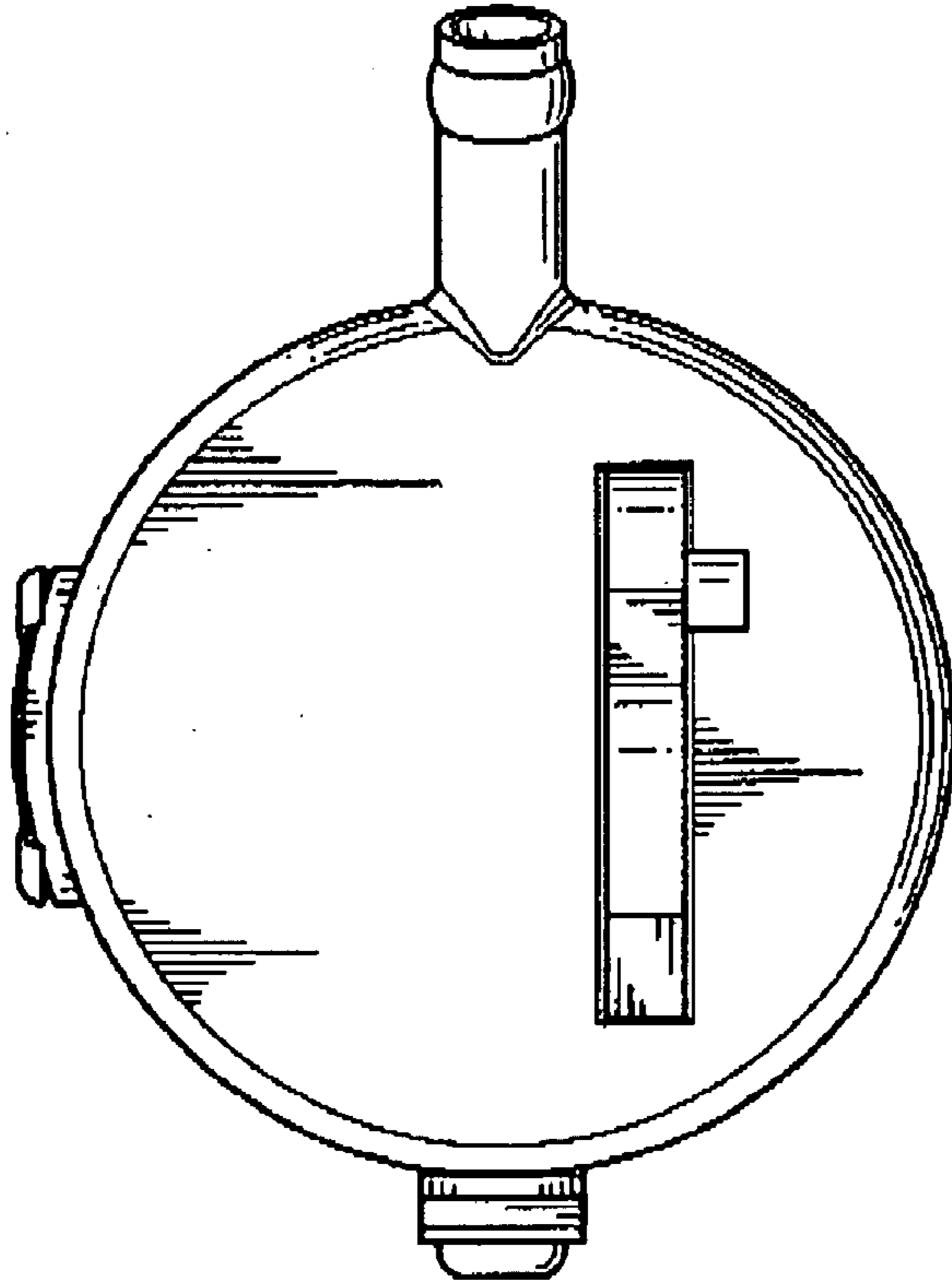


FIG. 4

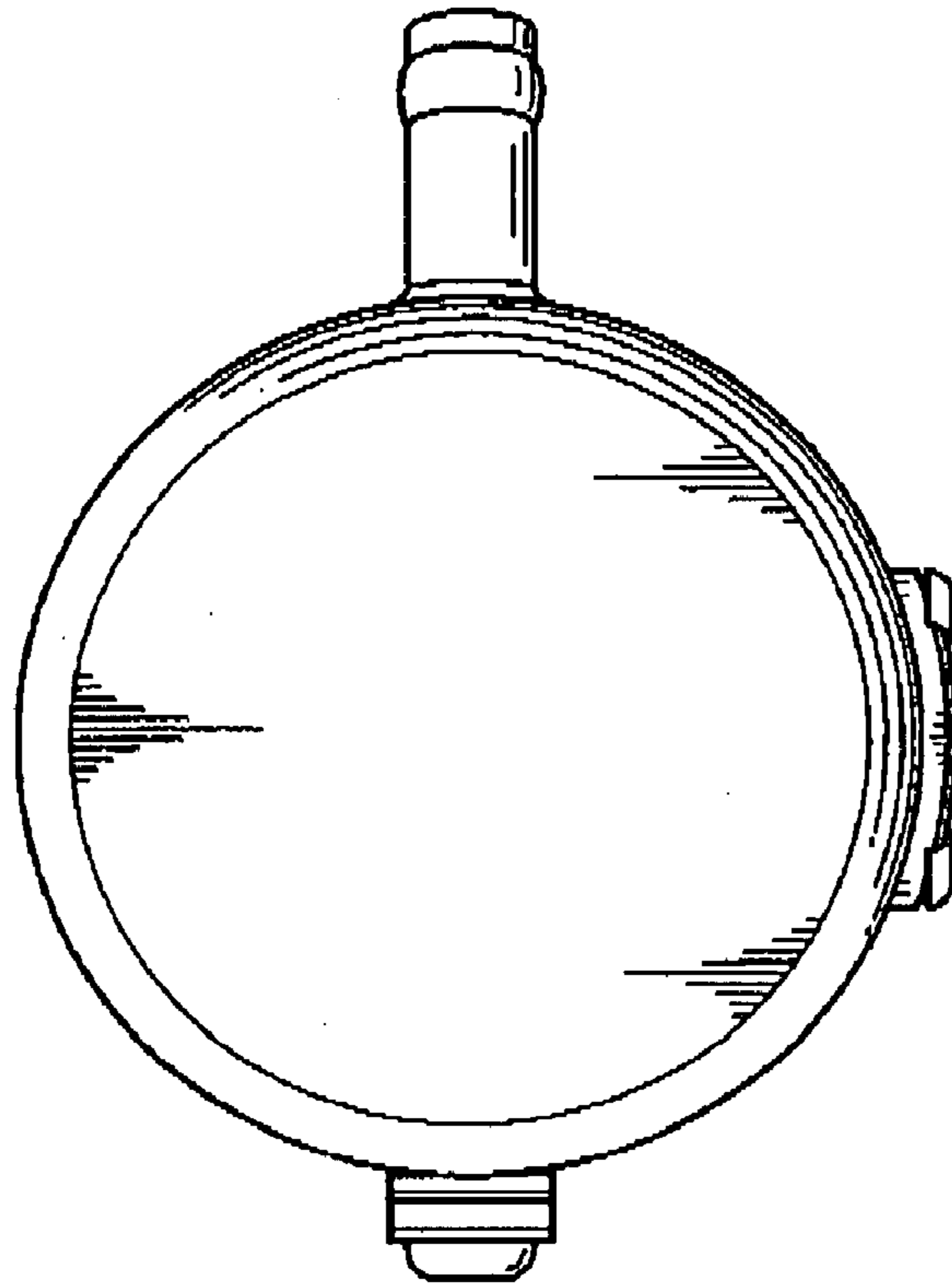


FIG. 3

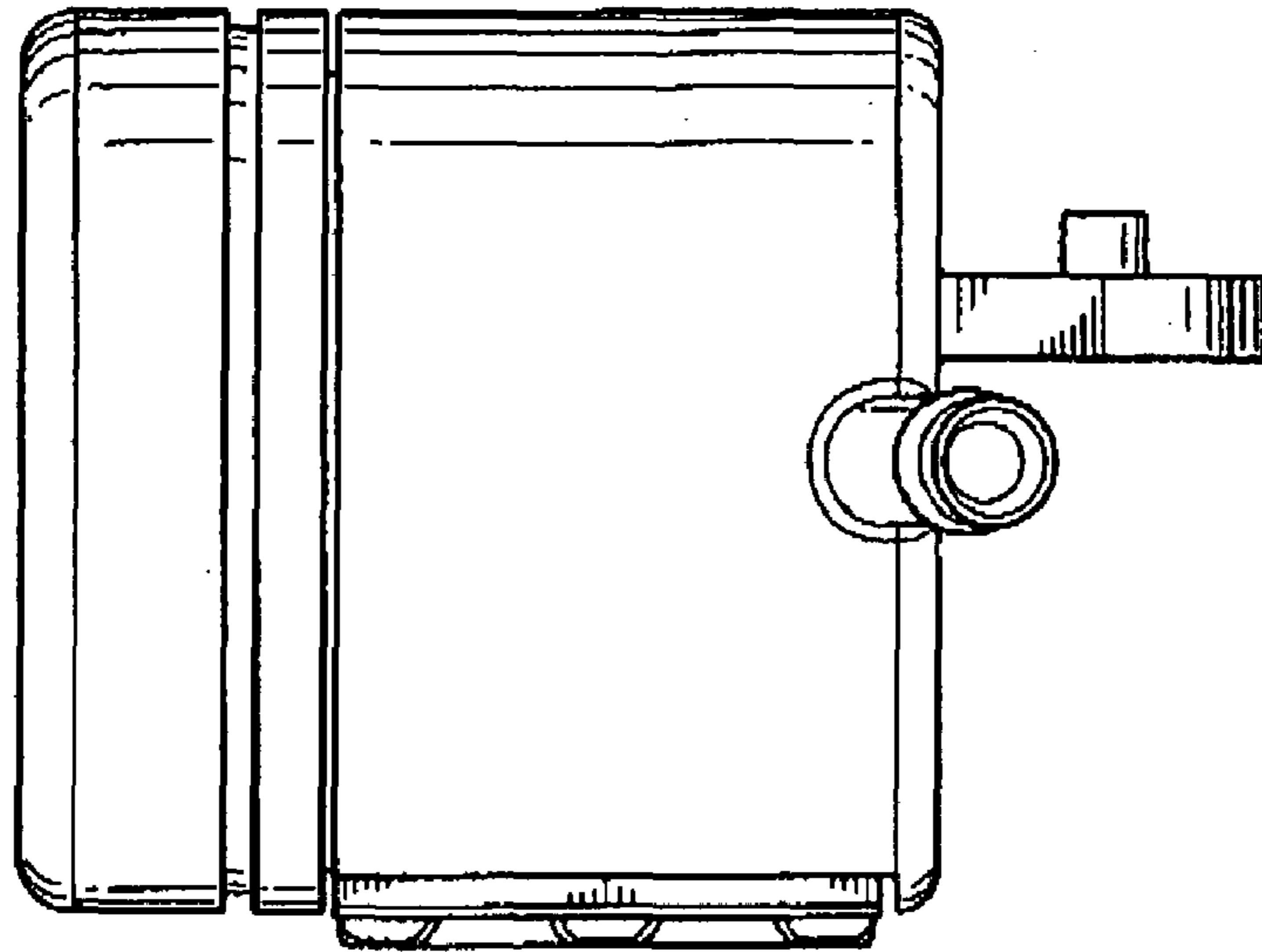


FIG. 6

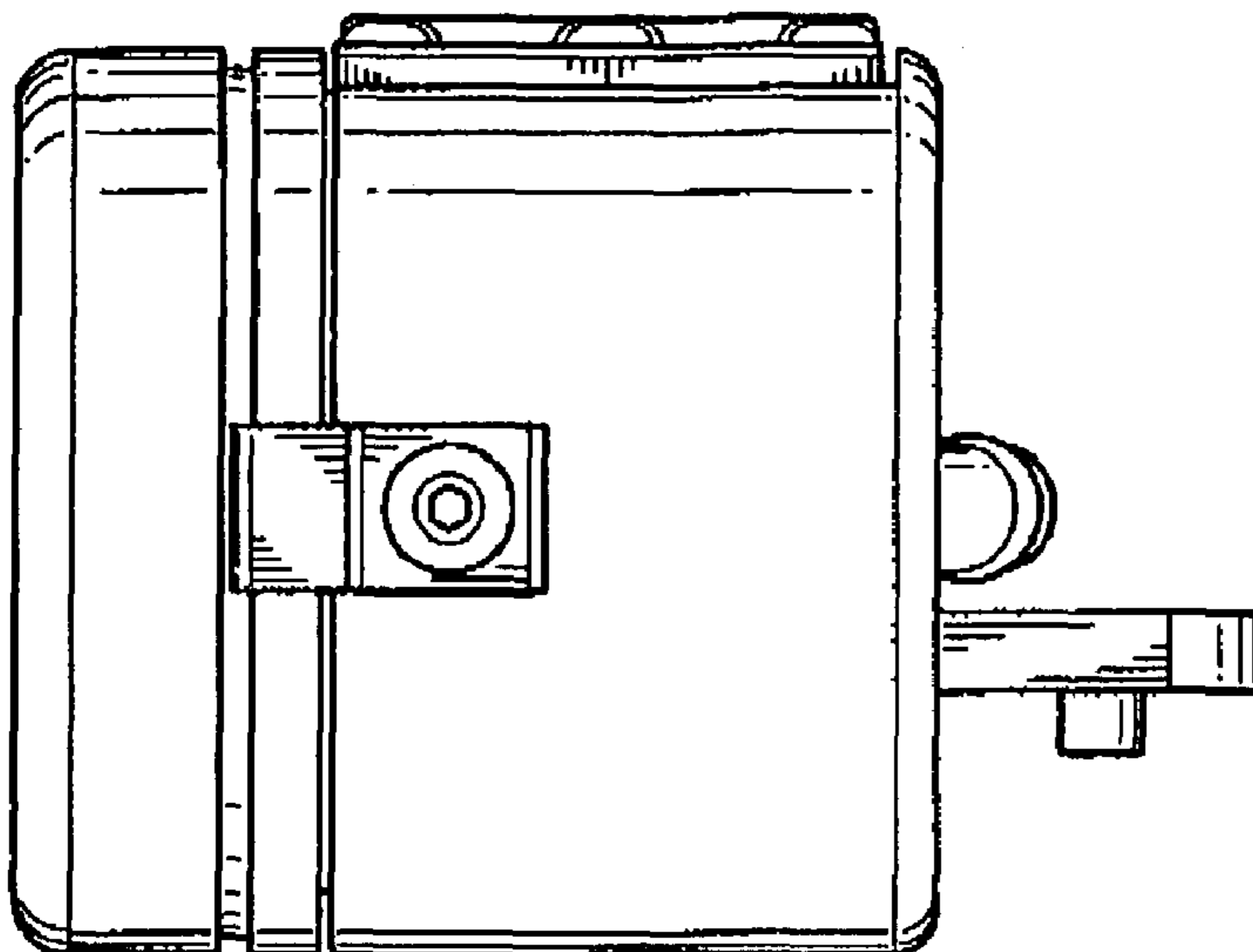


FIG. 5

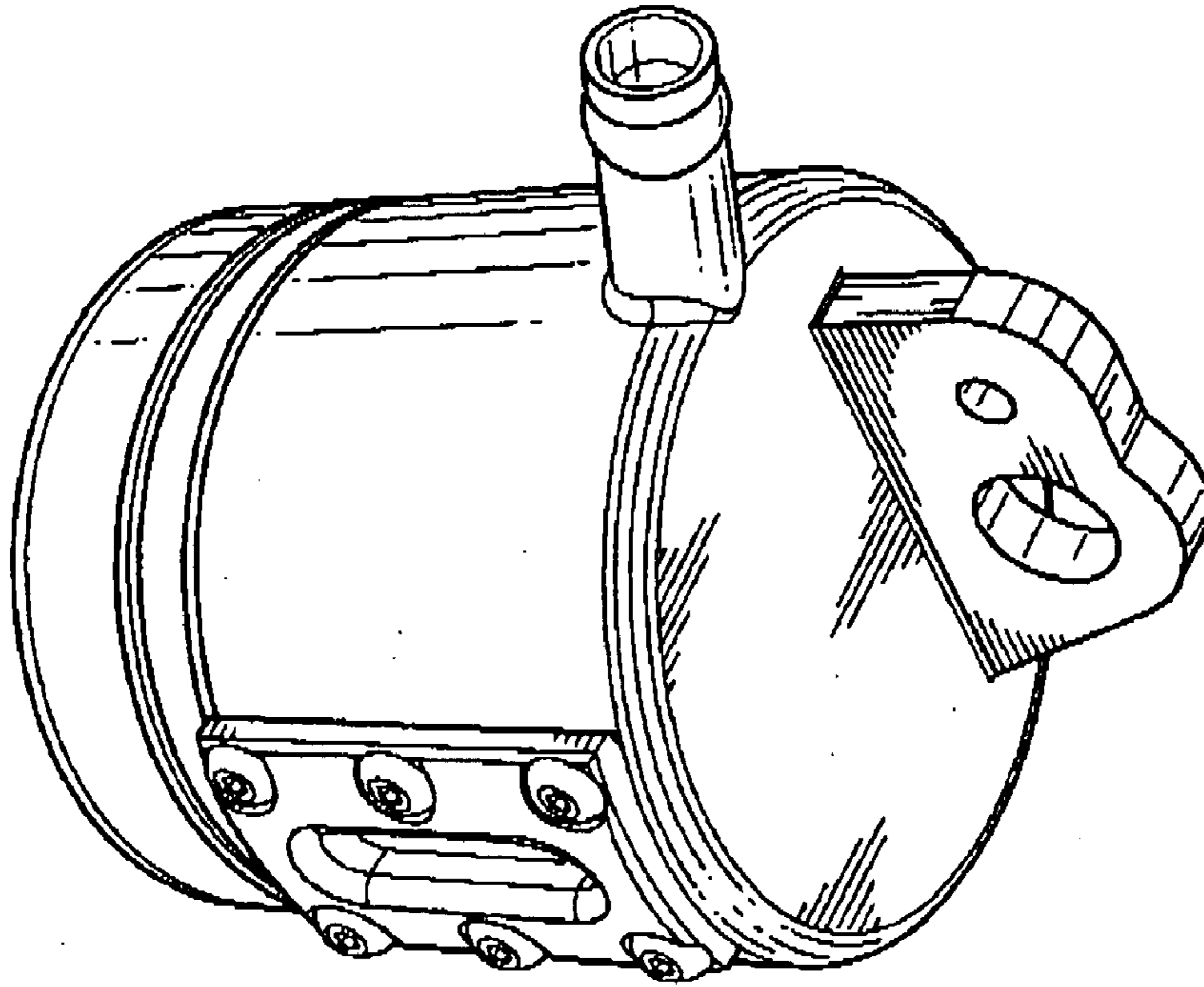


FIG. 8

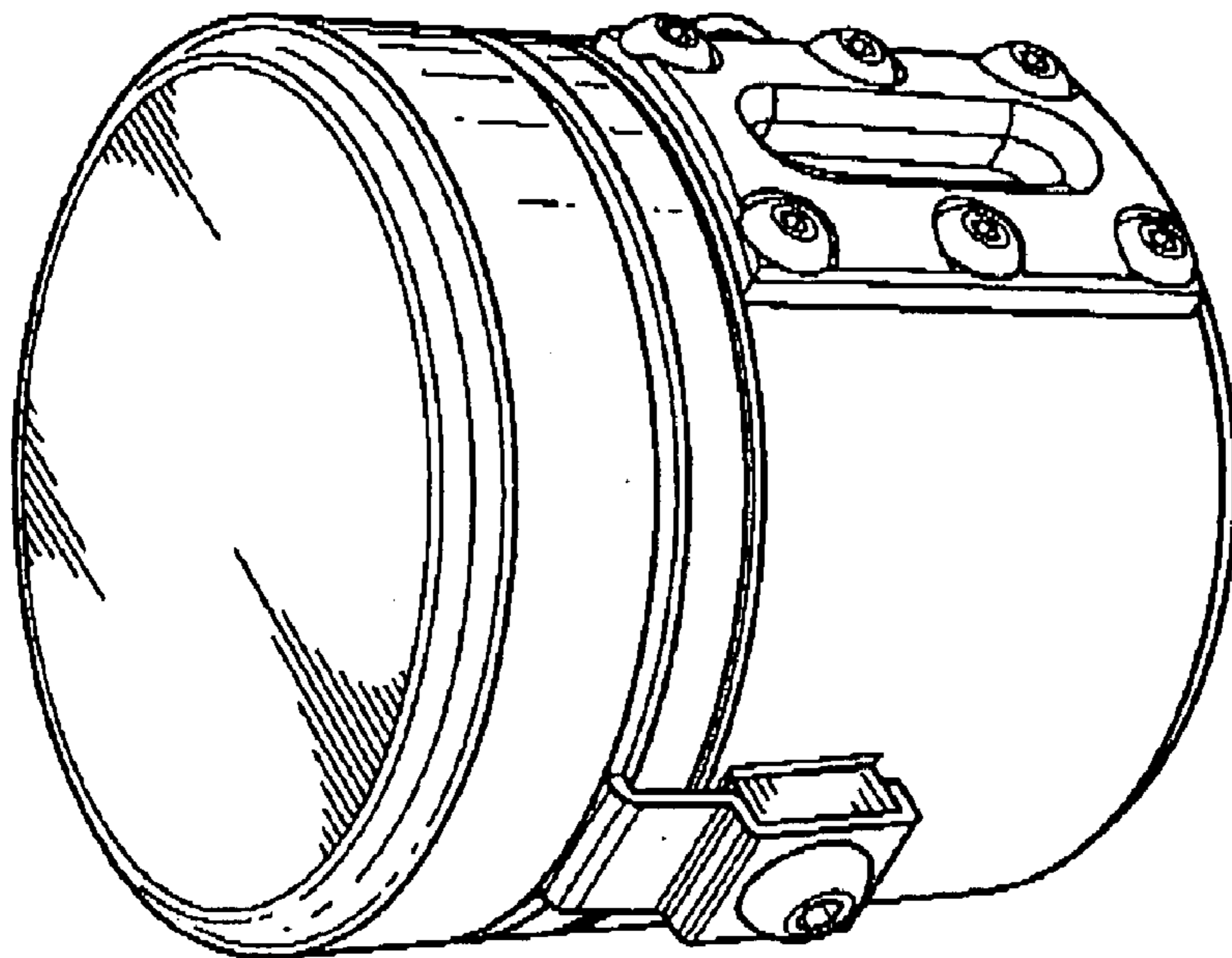


FIG. 7