



US00D556109S

(12) **United States Design Patent**
Elwell

(10) **Patent No.:** **US D556,109 S**

(45) **Date of Patent:** **** Nov. 27, 2007**

(54) **AUTOMOTIVE DOOR POCKET INSERT**

(75) Inventor: **James P. Elwell**, Johnston, IA (US)

(73) Assignee: **Putco, Inc.**, Story City, IA (US)

(**) Term: **14 Years**

(21) Appl. No.: **29/275,627**

(22) Filed: **Jan. 2, 2007**

(51) **LOC (8) Cl.** **12-08**

(52) **U.S. Cl.** **D12/195**

(58) **Field of Classification Search** D12/195,
D12/190, 419, 425; 49/501-502; 296/37.1,
296/37.13, 149, 153, 146.1

See application file for complete search history.

(56) **References Cited**

U.S. PATENT DOCUMENTS

D249,671 S *	9/1978	VanderWaal	D12/425
D299,186 S *	1/1989	Sills	D12/425
D387,024 S *	12/1997	Hellhake et al.	D12/195
D429,674 S *	8/2000	Walterscheid et al.	D12/195
D430,090 S *	8/2000	Walterscheid et al.	D12/195
D468,246 S *	1/2003	Wyszogrod et al.	D12/195

D513,215 S * 12/2005 Hall et al. D12/195
D536,650 S * 2/2007 Young et al. D12/195

* cited by examiner

Primary Examiner—Stacia Cadmus

(74) *Attorney, Agent, or Firm*—McKee, Voorhees & Sease, P.L.C.

(57) **CLAIM**

I claim the ornamental design for an automotive door pocket insert, substantially as shown.

DESCRIPTION

FIG. 1 is a perspective view of the automotive door pocket insert taken from the top of the design.

FIG. 2 is a bottom perspective view of the design of FIG. 1.

FIG. 3 is a front elevational view of the design of FIG. 1.

FIG. 4 is a rear elevational view of the design of FIG. 1.

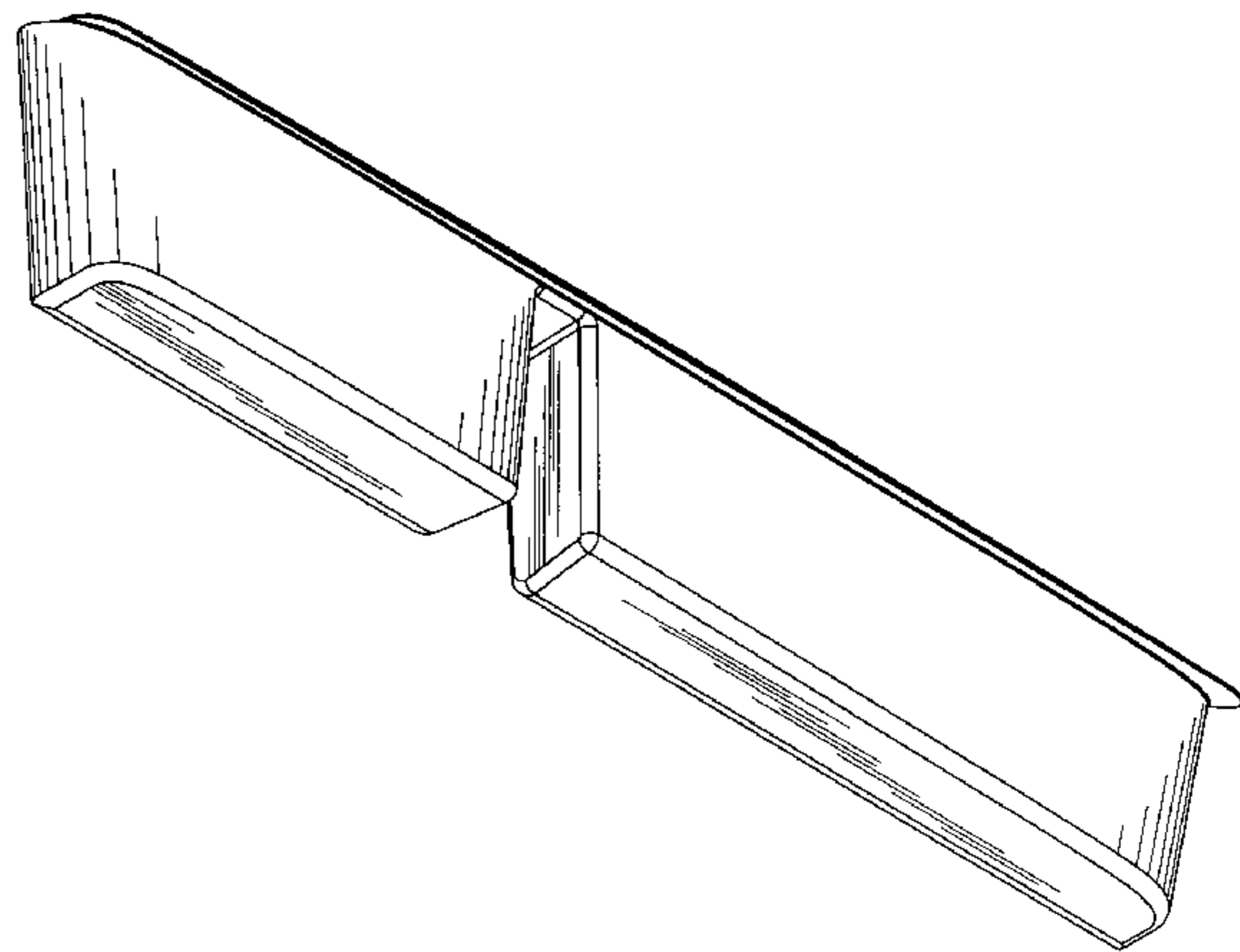
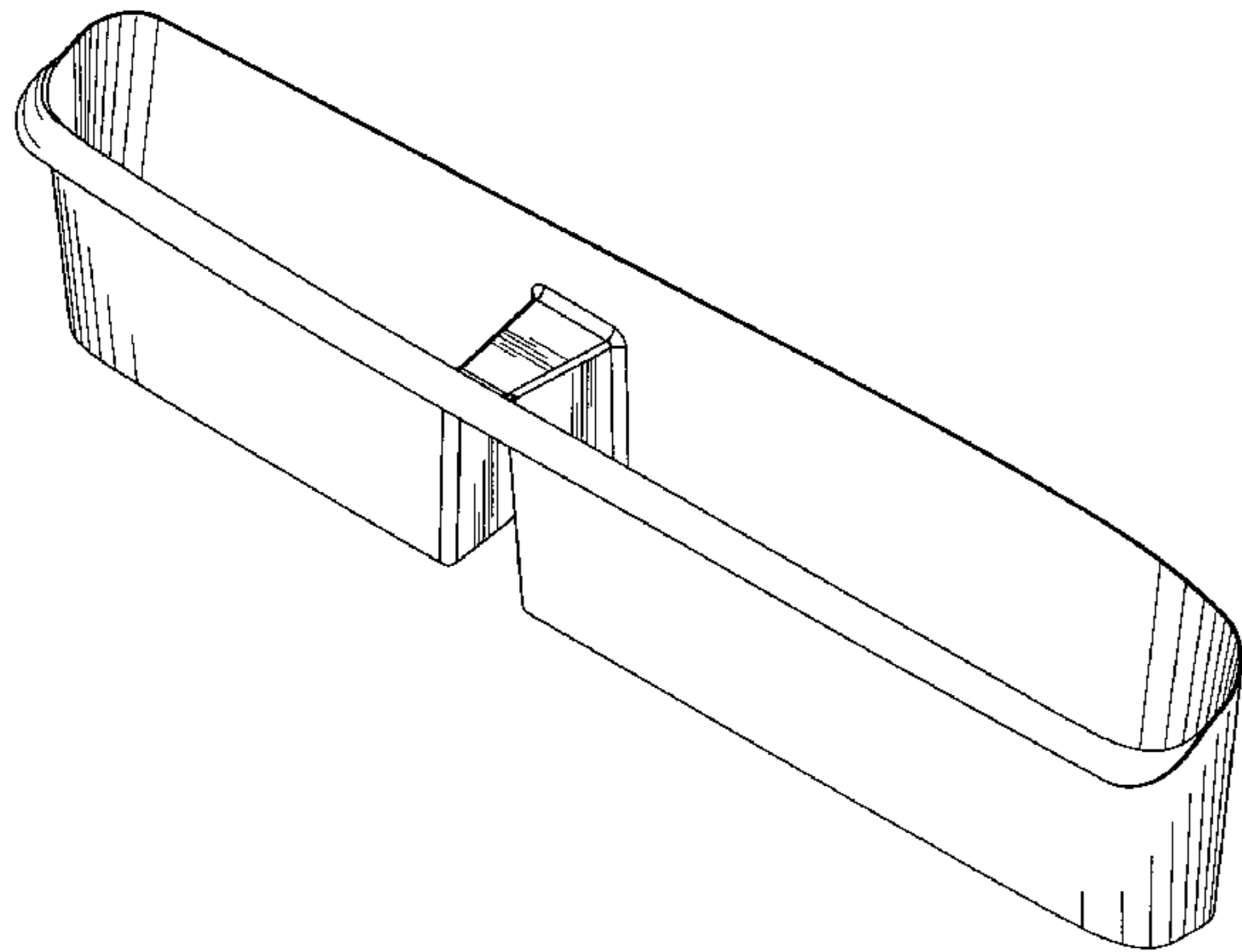
FIG. 5 is an end elevational view as taken from the left of FIG. 1.

FIG. 6 is an end elevational view as taken from the right of FIG. 1.

FIG. 7 is a top plan view of the design of FIG. 1; and,

FIG. 8 is a bottom plan view of the design of FIG. 1.

1 Claim, 3 Drawing Sheets



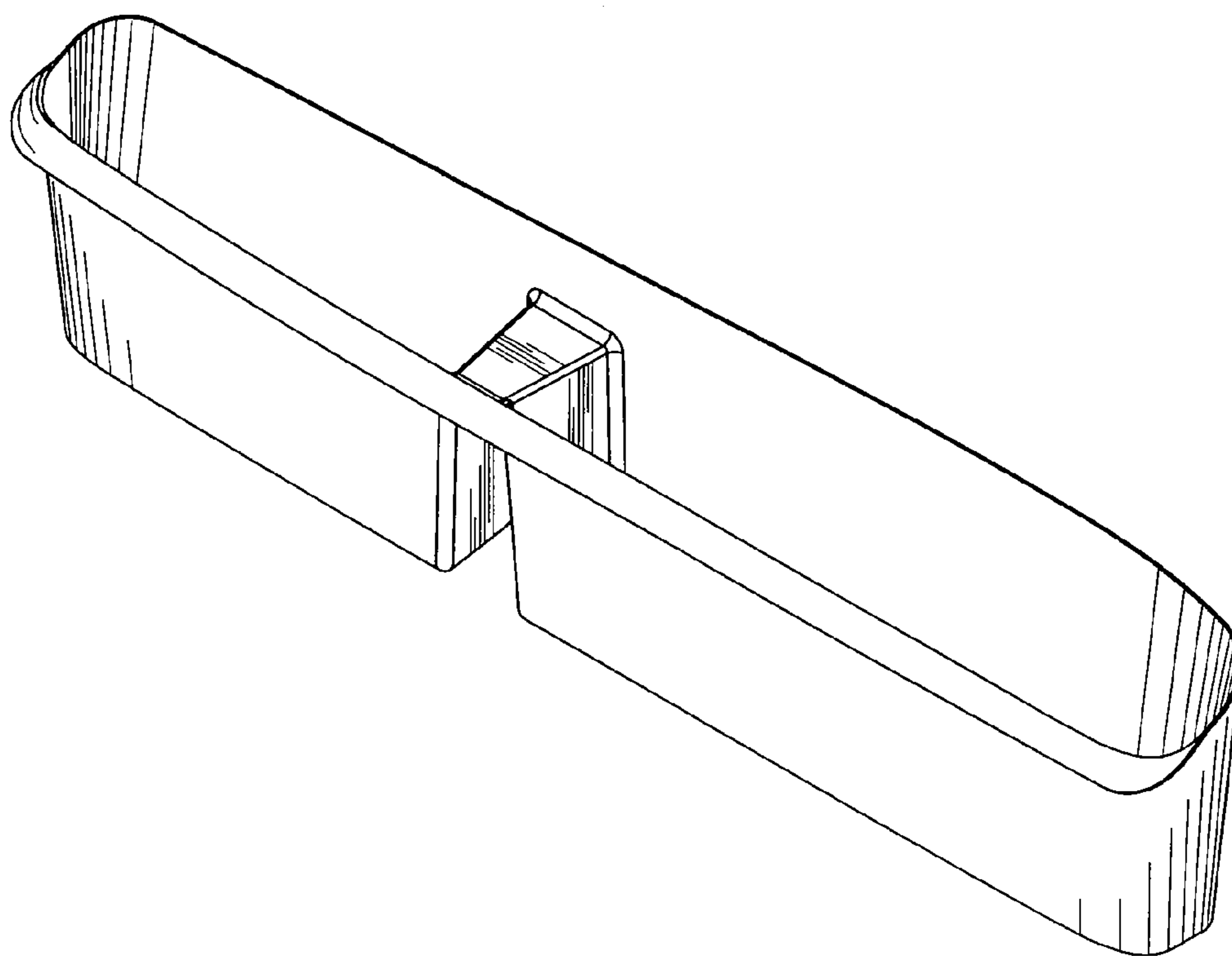


Fig. 1

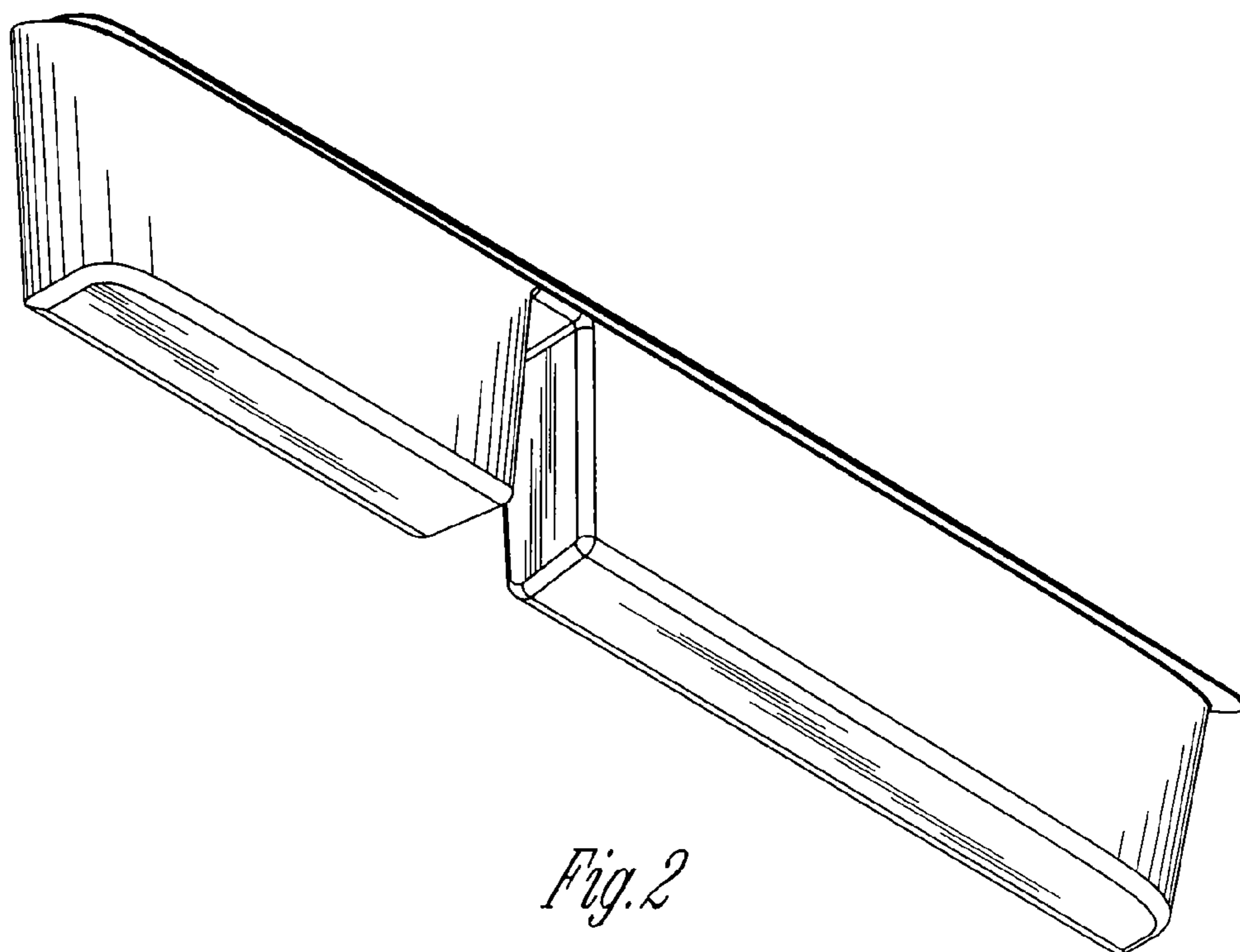


Fig. 2

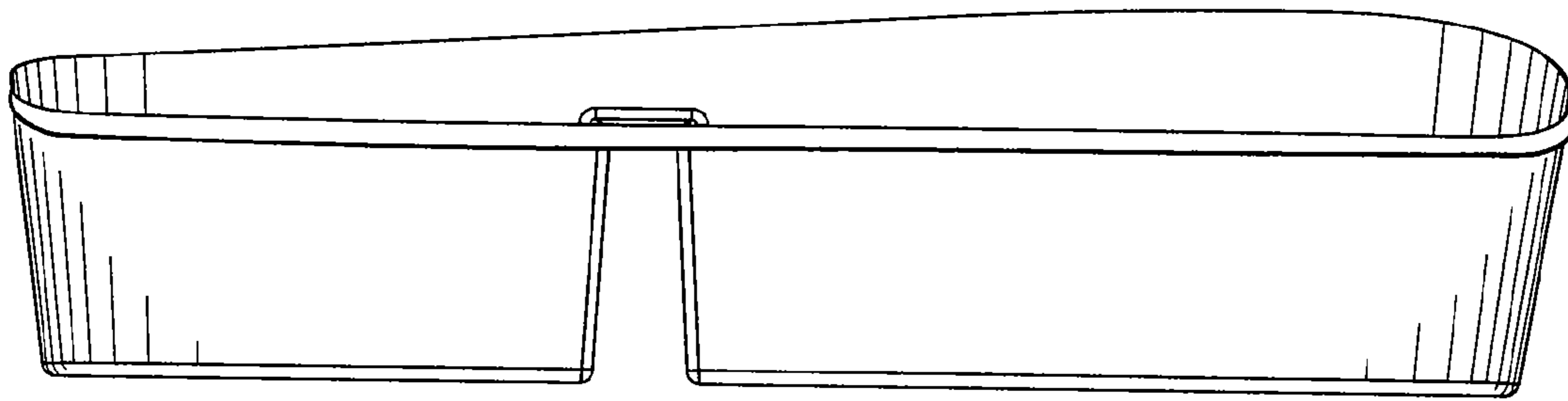


Fig. 3

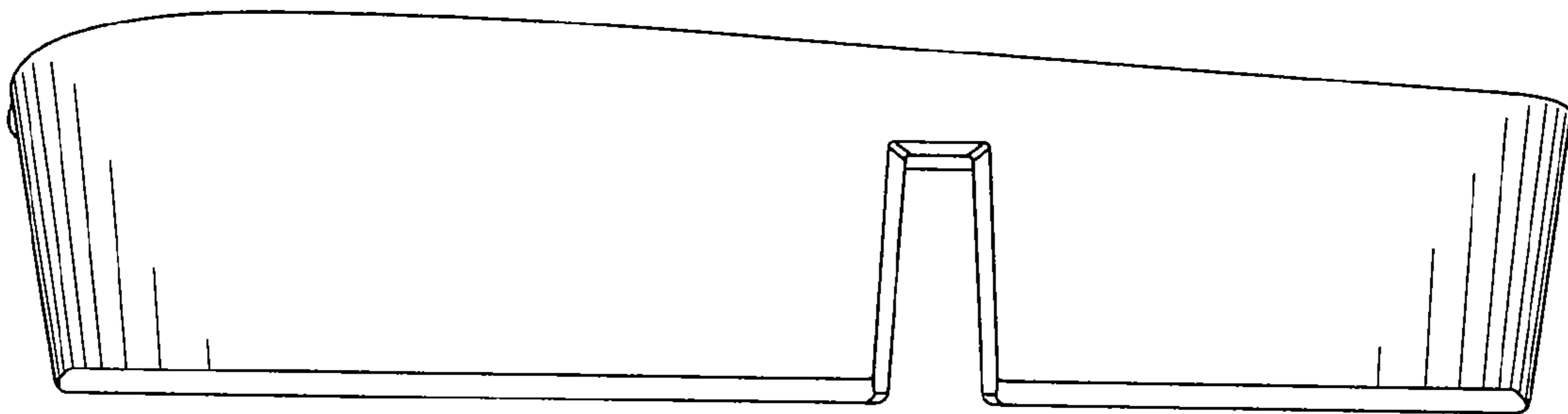


Fig. 4



Fig. 5



Fig. 6

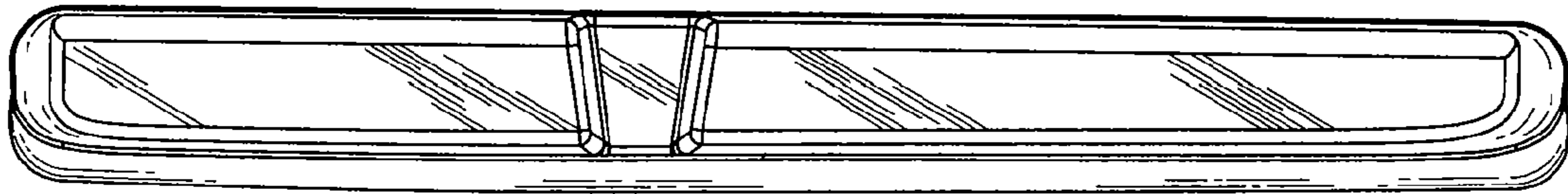


Fig. 7

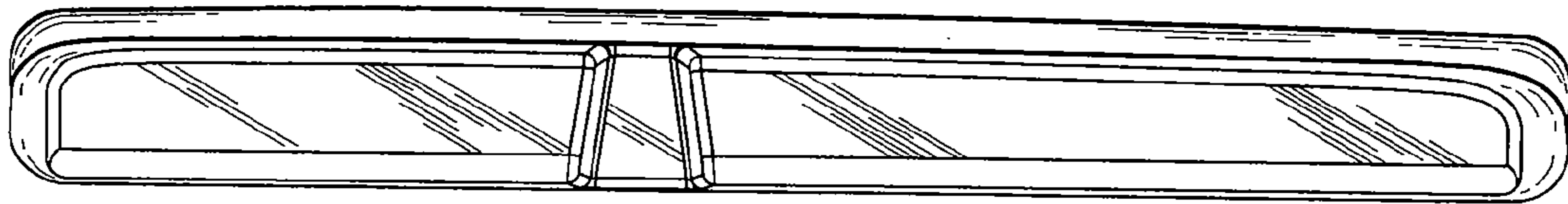


Fig. 8