



US00D556103S

(12) **United States Design Patent**
Morimoto

(10) **Patent No.:** **US D556,103 S**

(45) **Date of Patent:** **** Nov. 27, 2007**

(54) **CALIPERS FOR DISC BRAKES**

D522,421 S * 6/2006 Crippa et al. D12/180
D523,794 S * 6/2006 Strumbo et al. D12/180
D527,321 S * 8/2006 Gherardi et al. D12/180

(75) Inventor: **Makoto Morimoto**, Tokyo (JP)

(73) Assignee: **Akebono Brake Industry Co., Ltd.**,
Chuo-ku, Tokyo (JP)

(**) Term: **14 Years**

(21) Appl. No.: **29/277,650**

(22) Filed: **Mar. 5, 2007**

(30) **Foreign Application Priority Data**

Sep. 5, 2006 (JP) 2006-023697

(51) **LOC (8) Cl.** **12-16**

(52) **U.S. Cl.** **D12/180**

(58) **Field of Classification Search** D12/180;
188/73.3, 71.1, 73.31-73.39, 72.4, 72.2,
188/73.41-73.46, 370, 218 XL, 1.11 W
See application file for complete search history.

(56) **References Cited**

U.S. PATENT DOCUMENTS

5,022,500 A * 6/1991 Wang 188/73.31
D417,178 S * 11/1999 Gallagher D12/180
6,000,506 A * 12/1999 Warwick 188/73.31
D458,199 S * 6/2002 Demoise et al. D12/180
D491,500 S * 6/2004 Fujiwara et al. D12/180
D492,229 S * 6/2004 Barbosa et al. D12/180
D493,754 S * 8/2004 Barbosa et al. D12/180
D506,714 S * 6/2005 Ono D12/180
D508,001 S * 8/2005 Matsumoto D12/180
D512,667 S * 12/2005 Iwasaki D12/180
D512,946 S * 12/2005 Hatakoshi et al. D12/180
D520,924 S * 5/2006 Gotti et al. D12/180
D522,420 S * 6/2006 Crippa et al. D12/180

* cited by examiner

Primary Examiner—Stacia Cadmus

(74) *Attorney, Agent, or Firm*—Knobbe Martens Olson &
Bear LLP

(57) **CLAIM**

The ornamental design for calipers for disc brakes, as shown
and described.

DESCRIPTION

FIG. 1 is a perspective view of calipers for disc brakes
configured in accordance with a preferred embodiment of
the present invention with brake pads, bolts, and hydraulic
equipment being shown in broken lines;

FIG. 2 is a front view of the calipers for disc brakes of FIG.
1;

FIG. 3 is a rear view of the calipers for disc brakes of FIG.
1;

FIG. 4 is a right side view of the calipers for disc brakes of
FIG. 1;

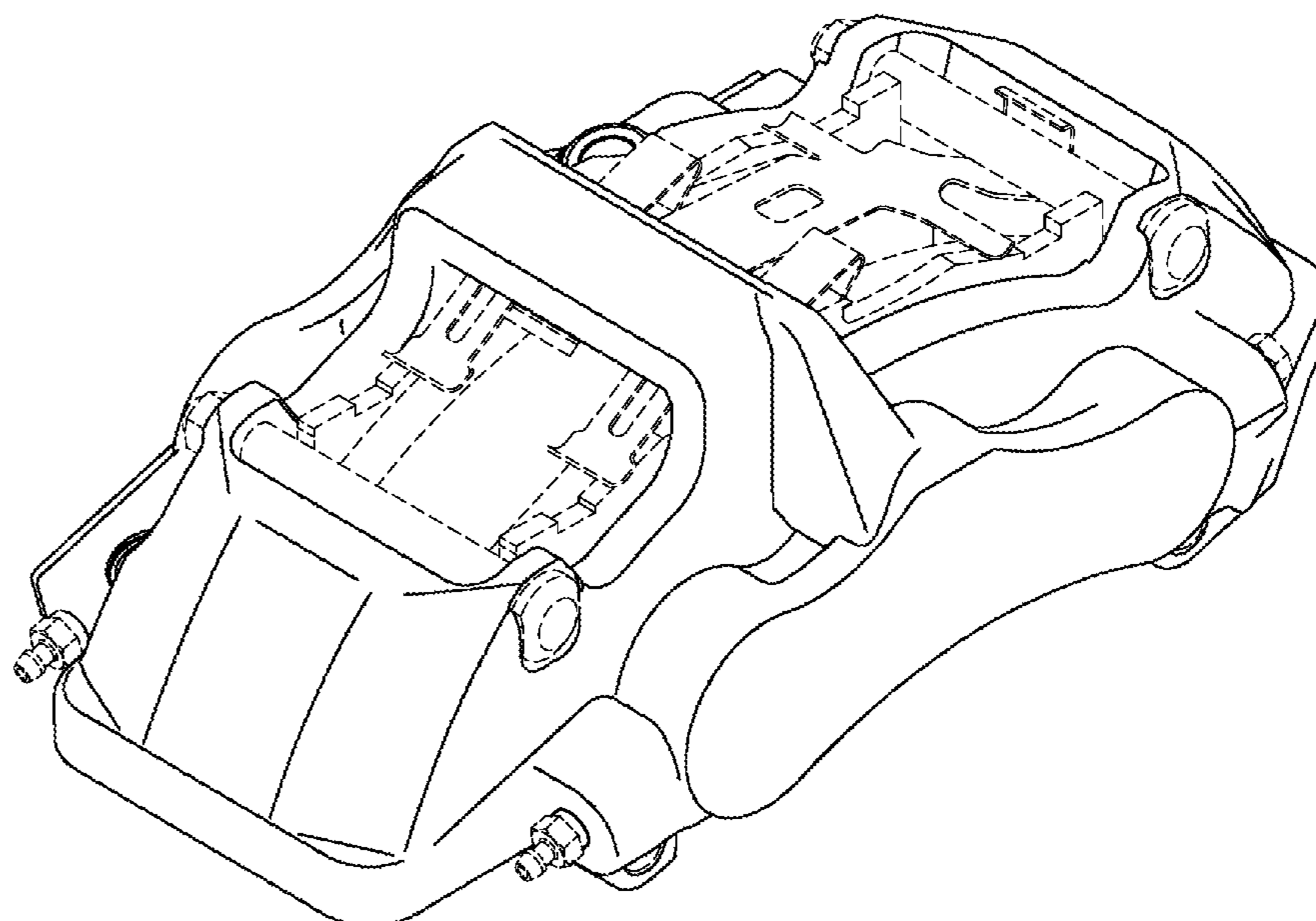
FIG. 5 is a left side view of the calipers for disc brakes of
FIG. 1;

FIG. 6 is a top plan view of the calipers for disc brakes of
FIG. 1; and,

FIG. 7 is a bottom view of the calipers for disc brakes of
FIG. 1.

The broken line showing of environment is for illustrative
purposes only and forms no part of the claimed design.

1 Claim, 4 Drawing Sheets



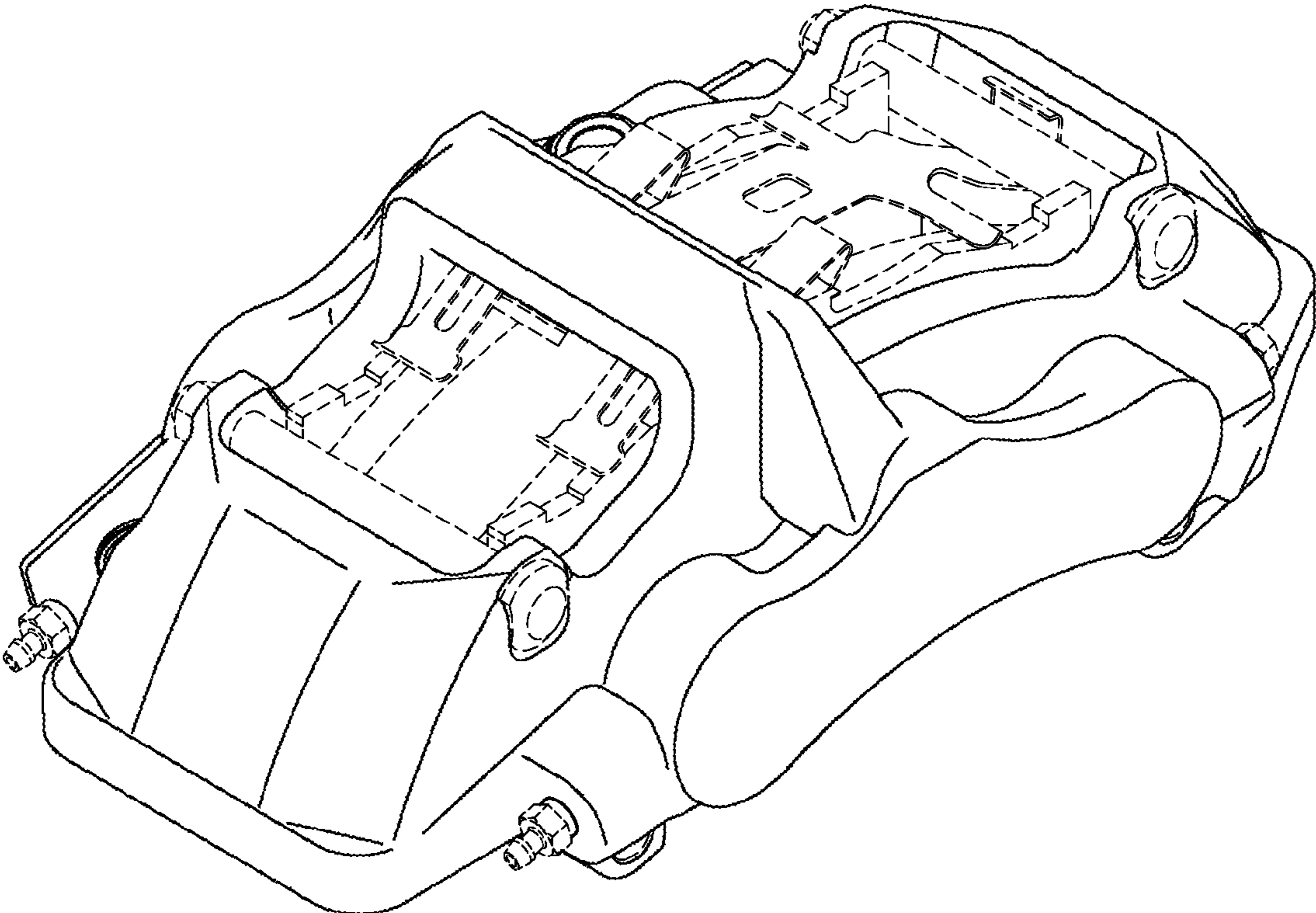


FIG. 1

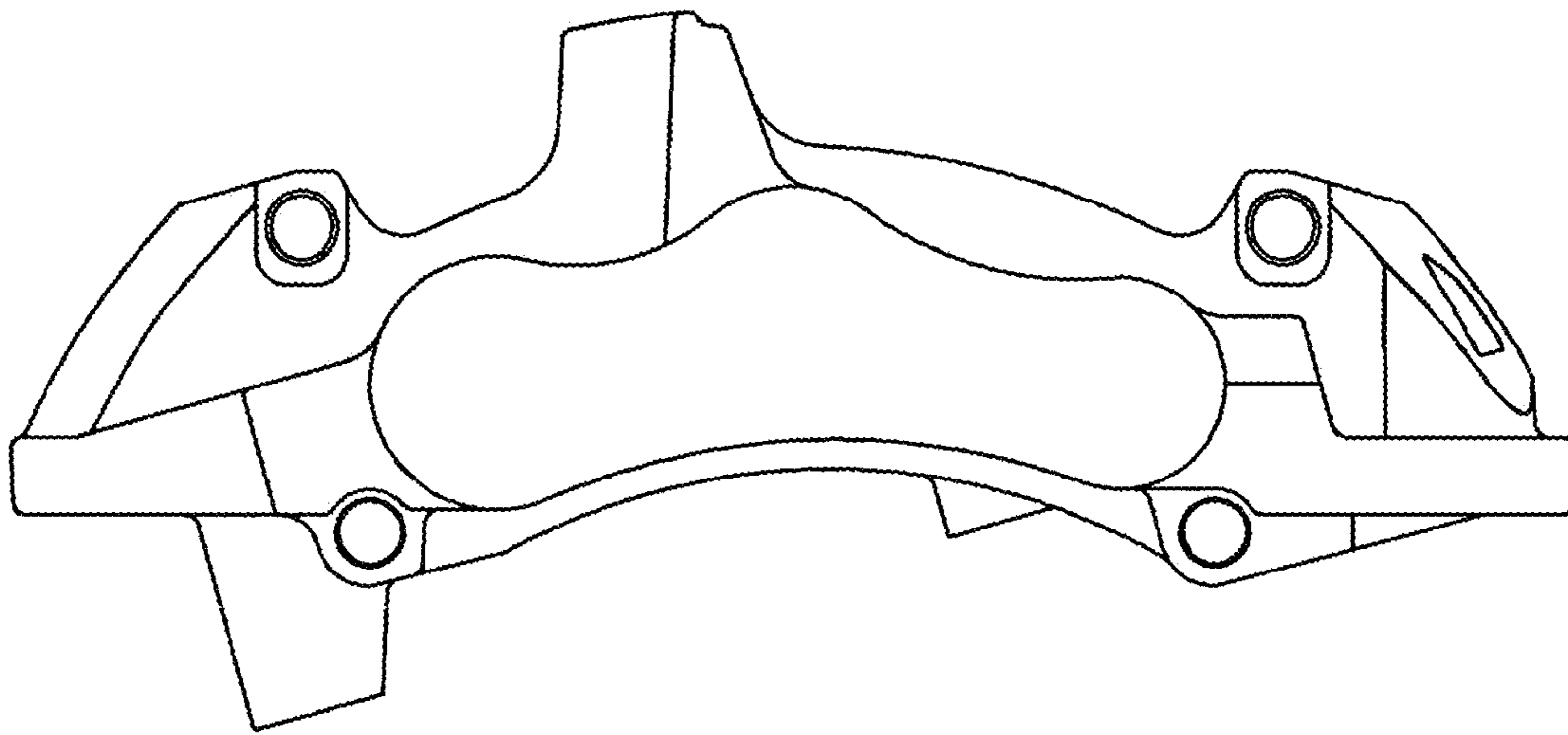


FIG. 2

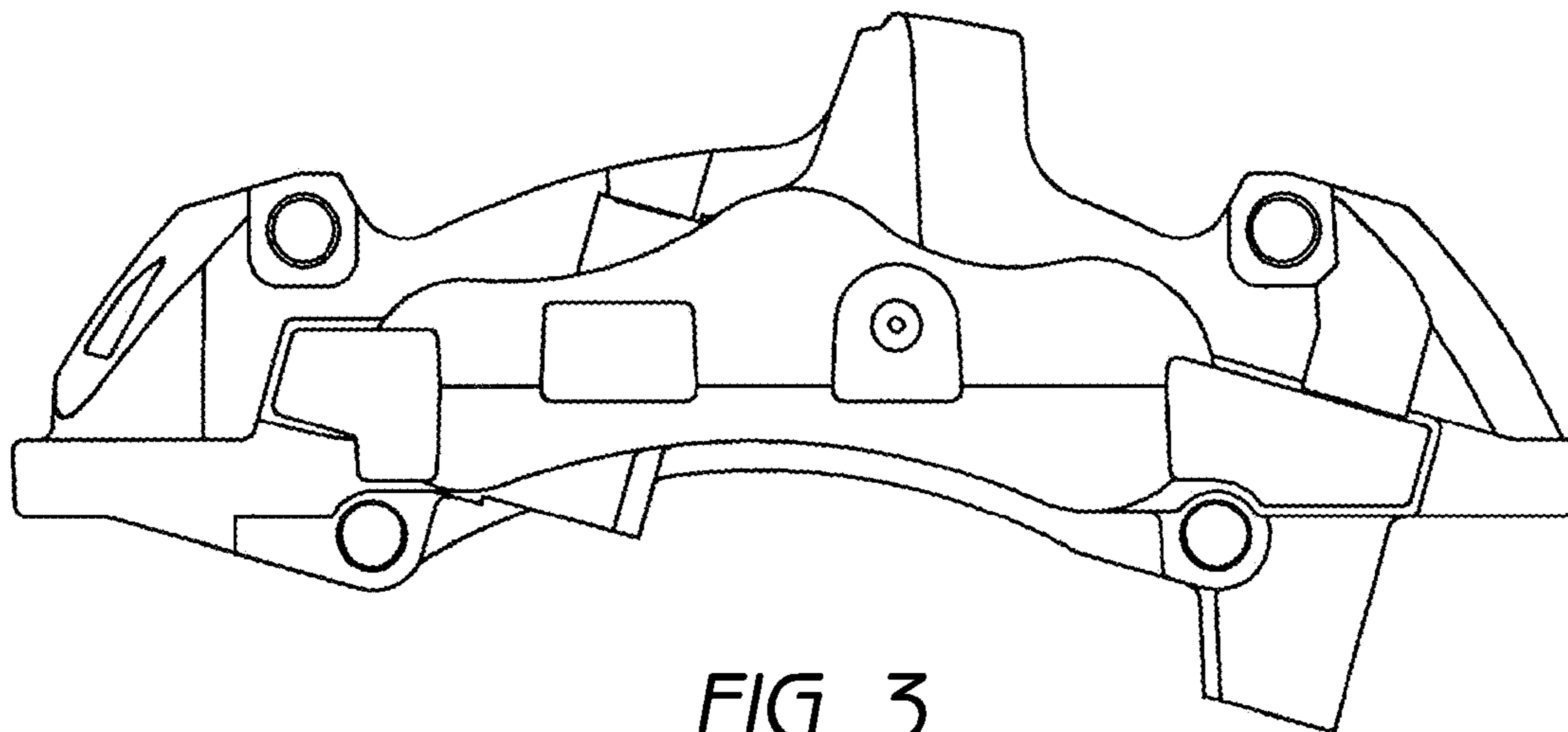


FIG. 3

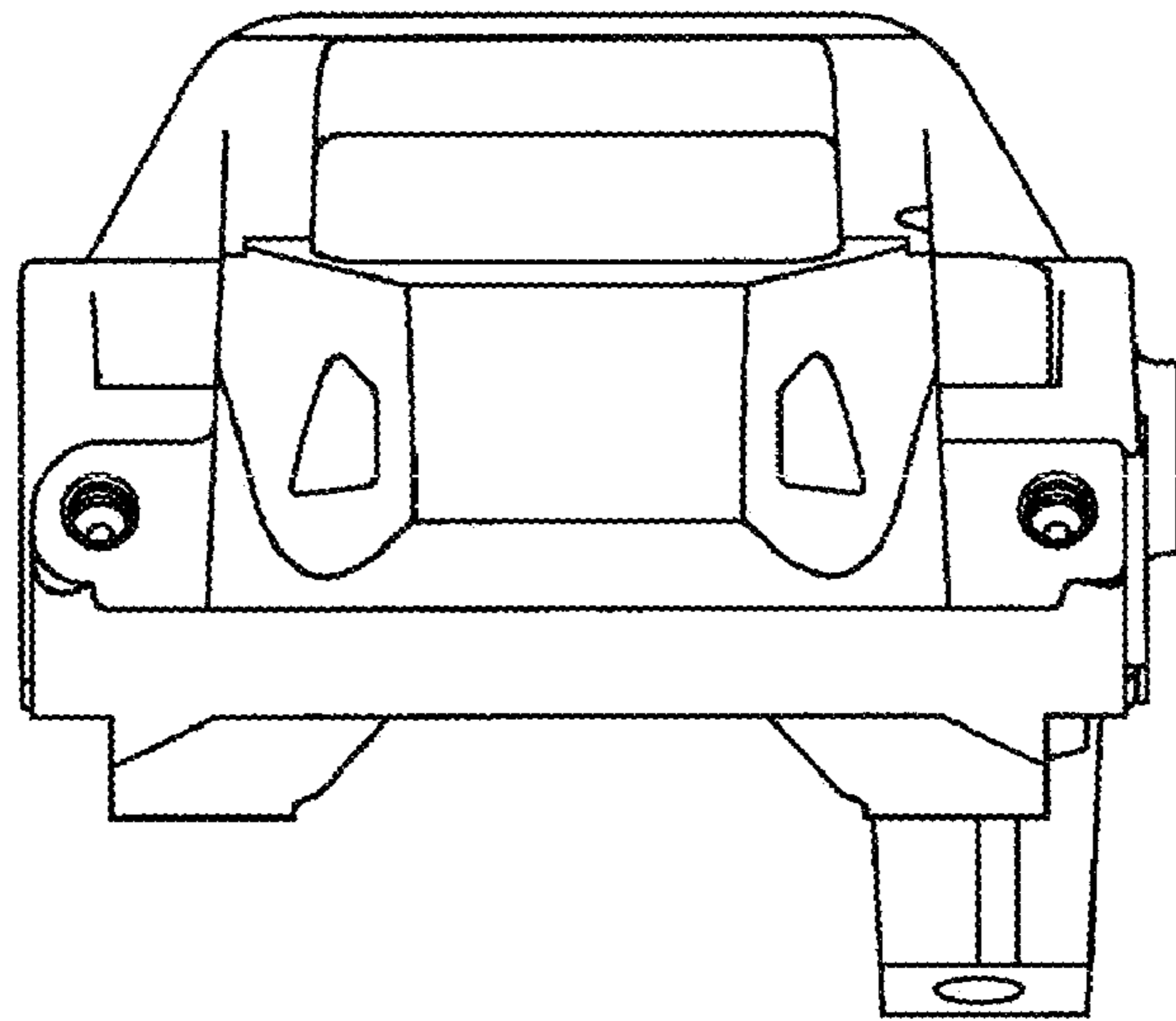


FIG. 4

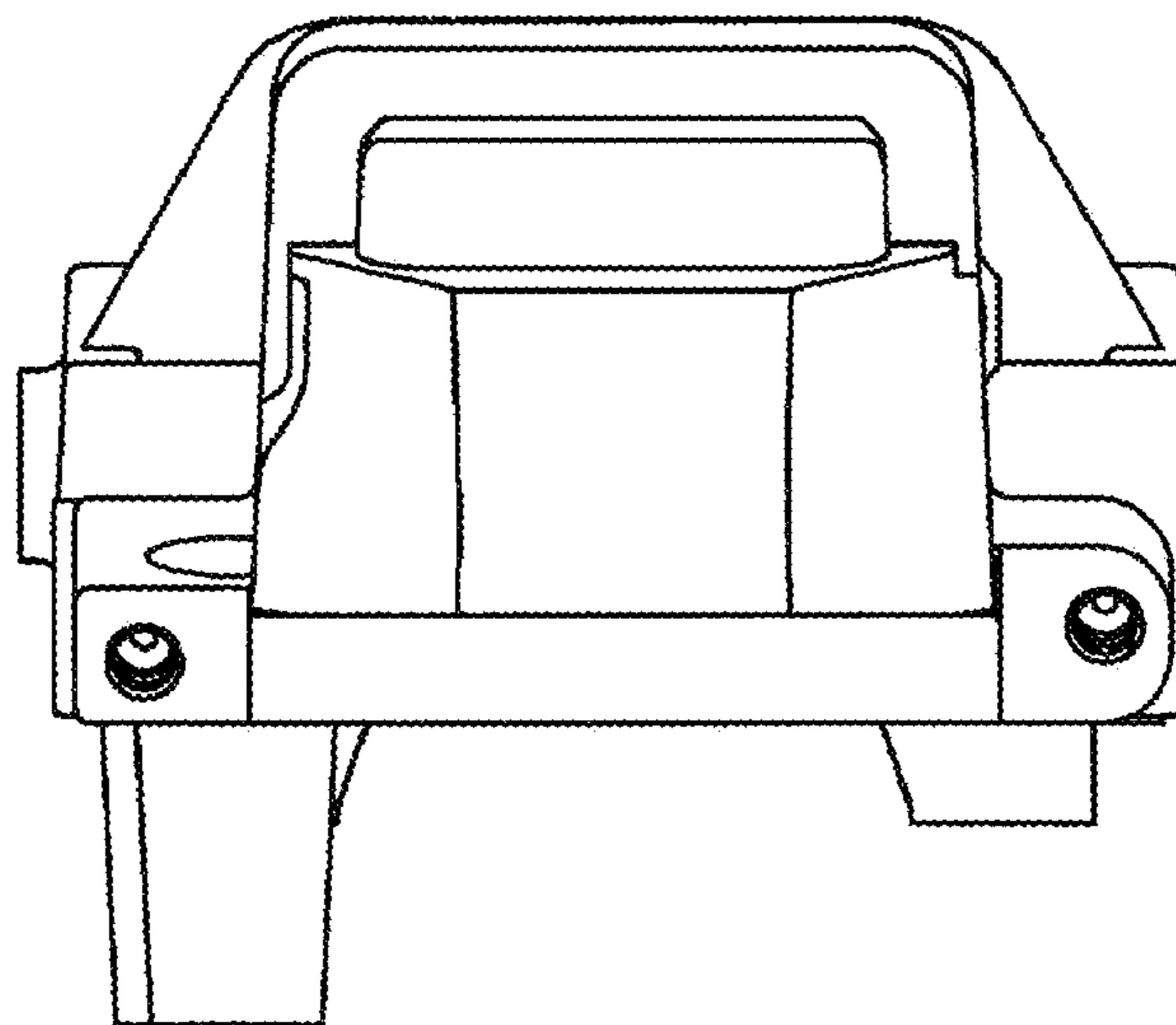


FIG. 5

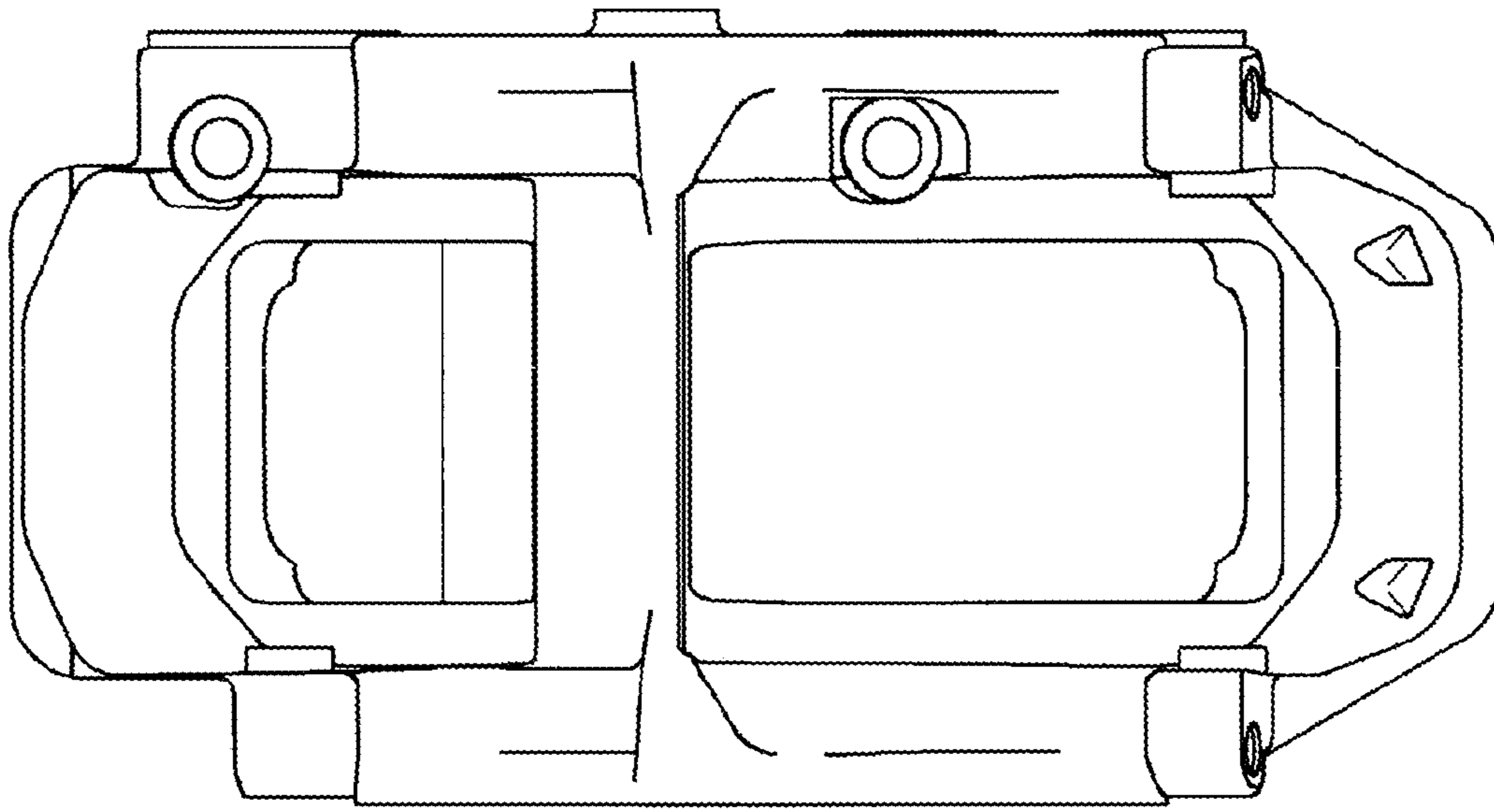


FIG. 6

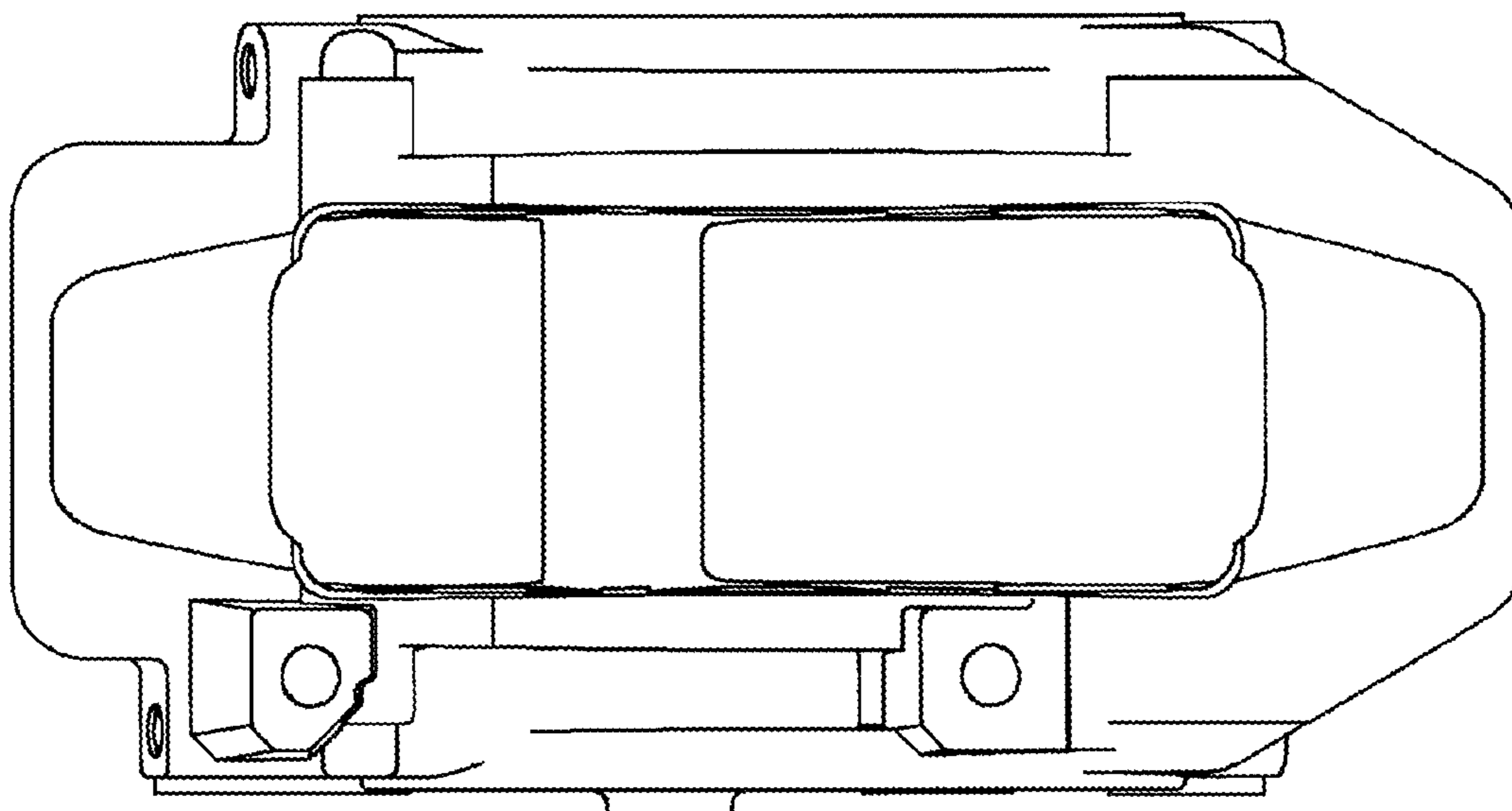


FIG. 7