



US00D556102S

(12) **United States Design Patent**
Horner et al.

(10) **Patent No.: US D556,102 S**

(45) **Date of Patent: ** Nov. 27, 2007**

(54) **PLUNGER CONNECTOR**

(75) Inventors: **Charles Horner**, South Bend, IN (US);
Walter Last, South Bend, IN (US);
Mark LaCosse, Granger, IN (US)

(73) Assignee: **Robert Bosch GmbH**, Stuttgart (DE)

(**) Term: **14 Years**

(21) Appl. No.: **29/242,261**

(22) Filed: **Nov. 8, 2005**

(51) **LOC (8) Cl.** **12-16**

(52) **U.S. Cl.** **D12/180**

(58) **Field of Classification Search** D12/180,
D12/114, 174; D15/5; 92/169.3, 165 R,
92/107; 188/71.1, 71.31, 73.32, 73.33, 73.34,
188/73.35, 73.36, 73.37, 209-211; 91/369.1
See application file for complete search history.

(56) **References Cited**

U.S. PATENT DOCUMENTS

| | | | |
|----------------|---------|-----------------------|------------|
| D271,292 S * | 11/1983 | Wilson et al. | D12/180 |
| D347,415 S * | 5/1994 | Rossigno et al. | D12/180 |
| D462,927 S * | 9/2002 | Horner | D12/180 |
| D467,530 S * | 12/2002 | Ioka et al. | D12/180 |
| 6,904,937 B2 * | 6/2005 | Fischer | 137/625.64 |
| D512,945 S * | 12/2005 | Hewitt et al. | D12/180 |
| D512,946 S * | 12/2005 | Hatakoshi et al. | D12/180 |

| | | | |
|----------------|--------|--------------------|------------|
| 7,013,920 B2 * | 3/2006 | Knecht et al. | 137/625.65 |
| 7,017,885 B2 * | 3/2006 | Hirata et al. | 251/129.15 |
| 7,069,951 B2 * | 7/2006 | Cornea | 137/625.68 |
| 7,172,071 B2 * | 2/2007 | Hawkins | 206/438 |
| D542,314 S * | 5/2007 | Nagai et al. | D15/143 |
| D543,565 S * | 5/2007 | Kopecki | D15/149 |

* cited by examiner

Primary Examiner—Robert M. Spear

Assistant Examiner—Abraham Bahta

(74) *Attorney, Agent, or Firm*—Leo H. McCormick, Jr.;

Sarah Taylor

(57) **CLAIM**

The ornamental design for a plunger connector, as shown and described.

DESCRIPTION

FIG. 1 is a rear perspective view of a plunger connector showing our new design;

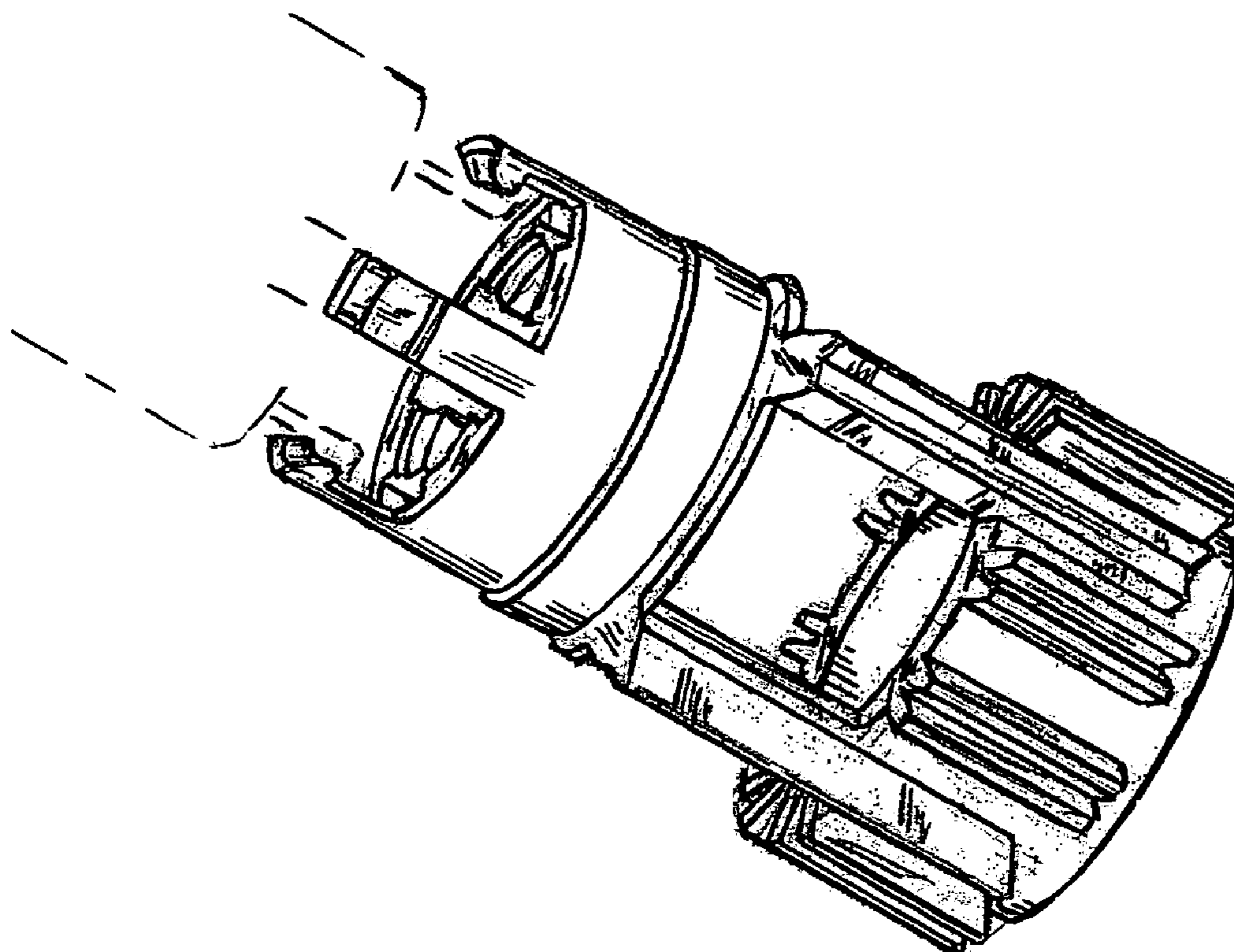
FIG. 2 is a top view of FIG. 1;

FIG. 3 is a side elevation view of FIG. 1; and,

FIG. 4 is a bottom view of FIG. 1.

The solenoid shown by the dashed lines in FIG. 1 is for illustrating purposes and forms no part of the claimed invention.

1 Claim, 1 Drawing Sheet



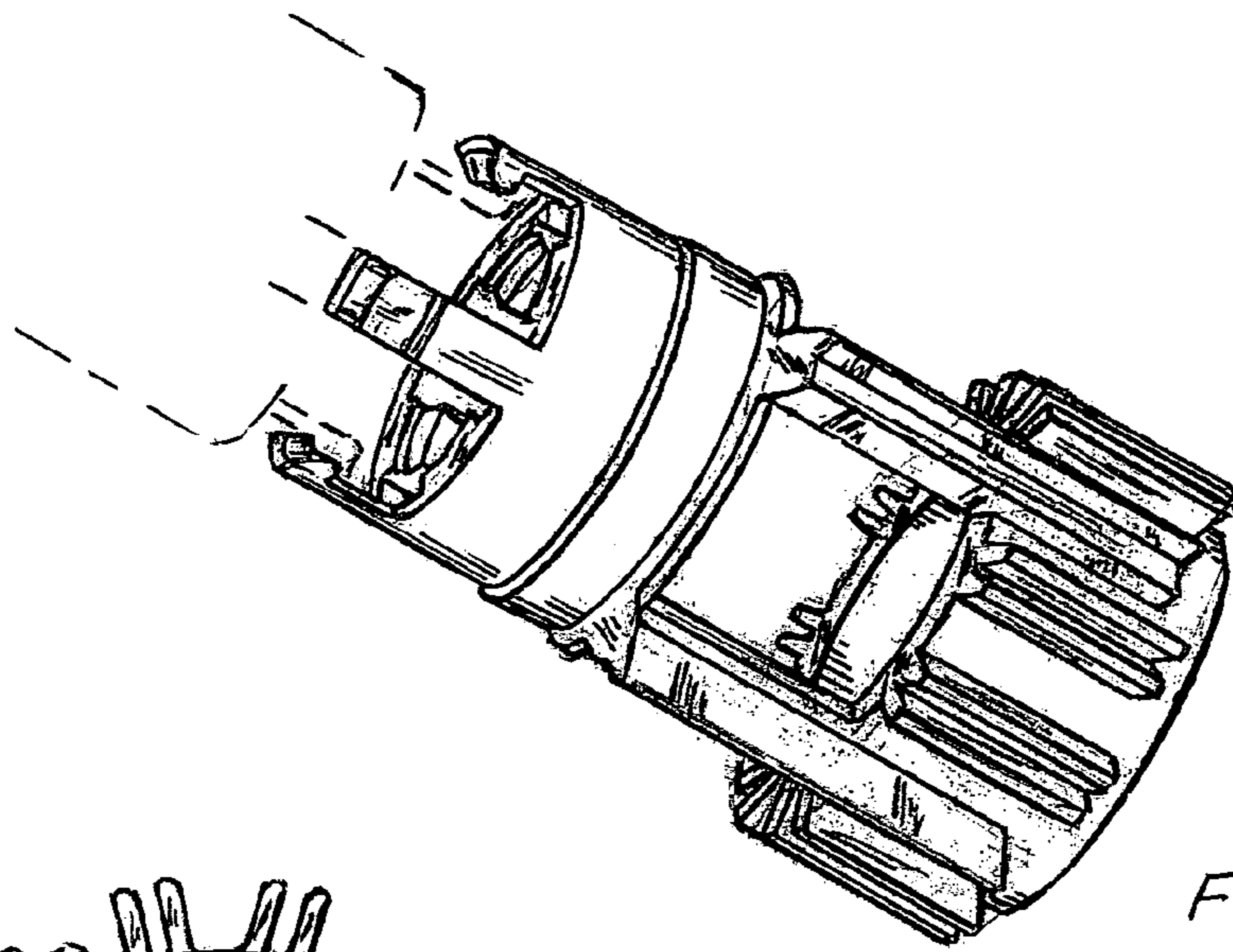


Fig. 1

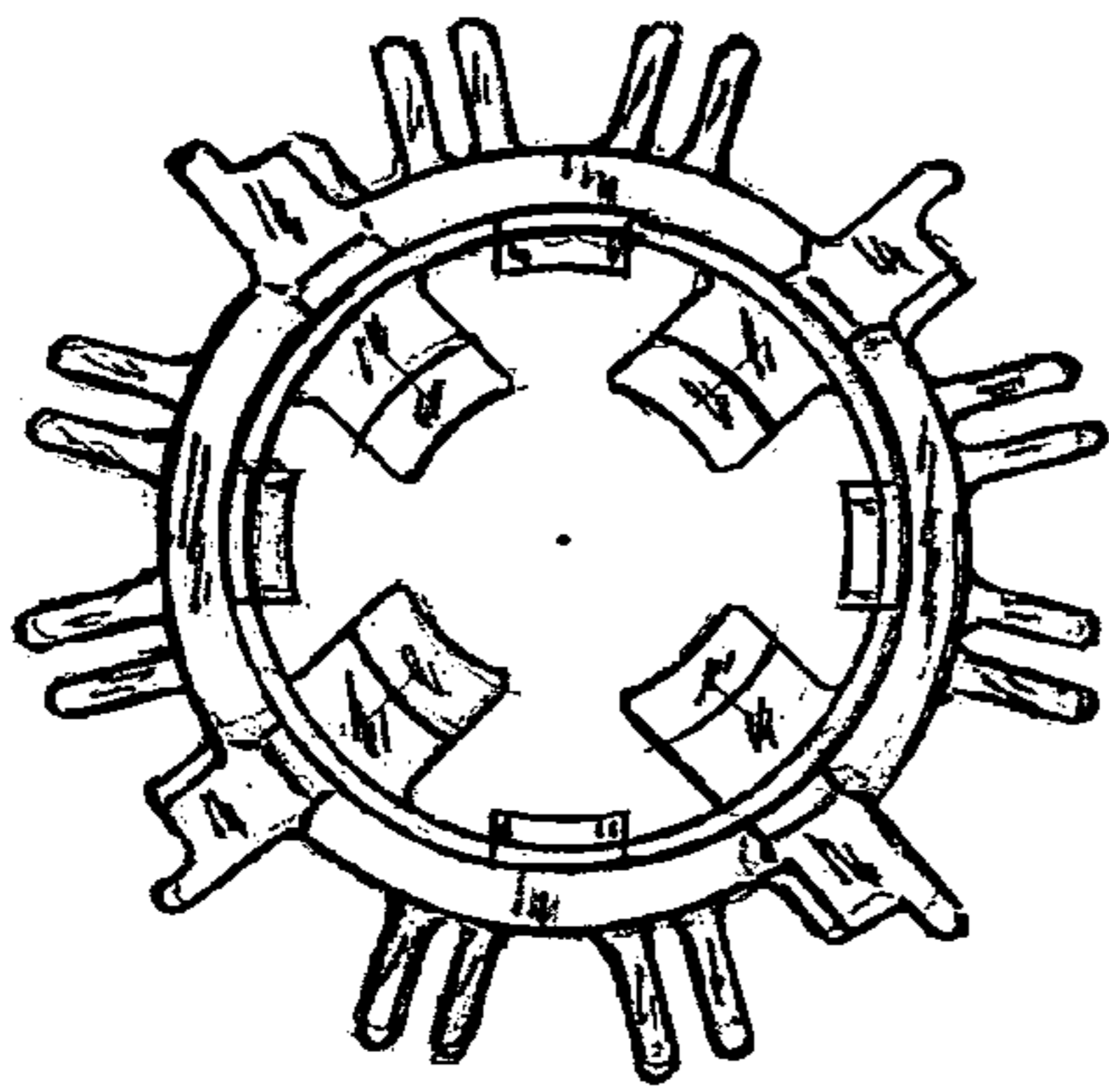


Fig. 2

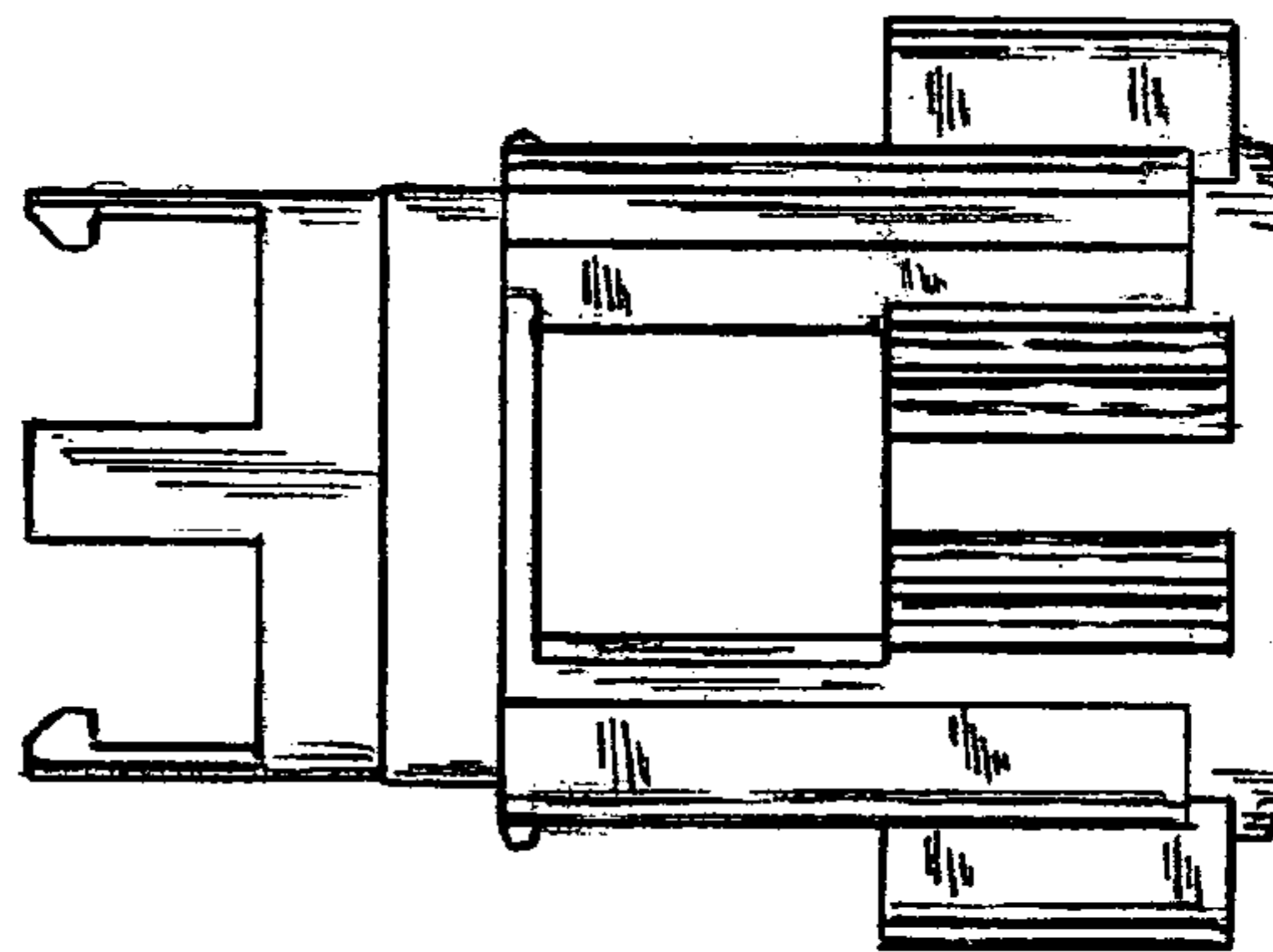


Fig. 3

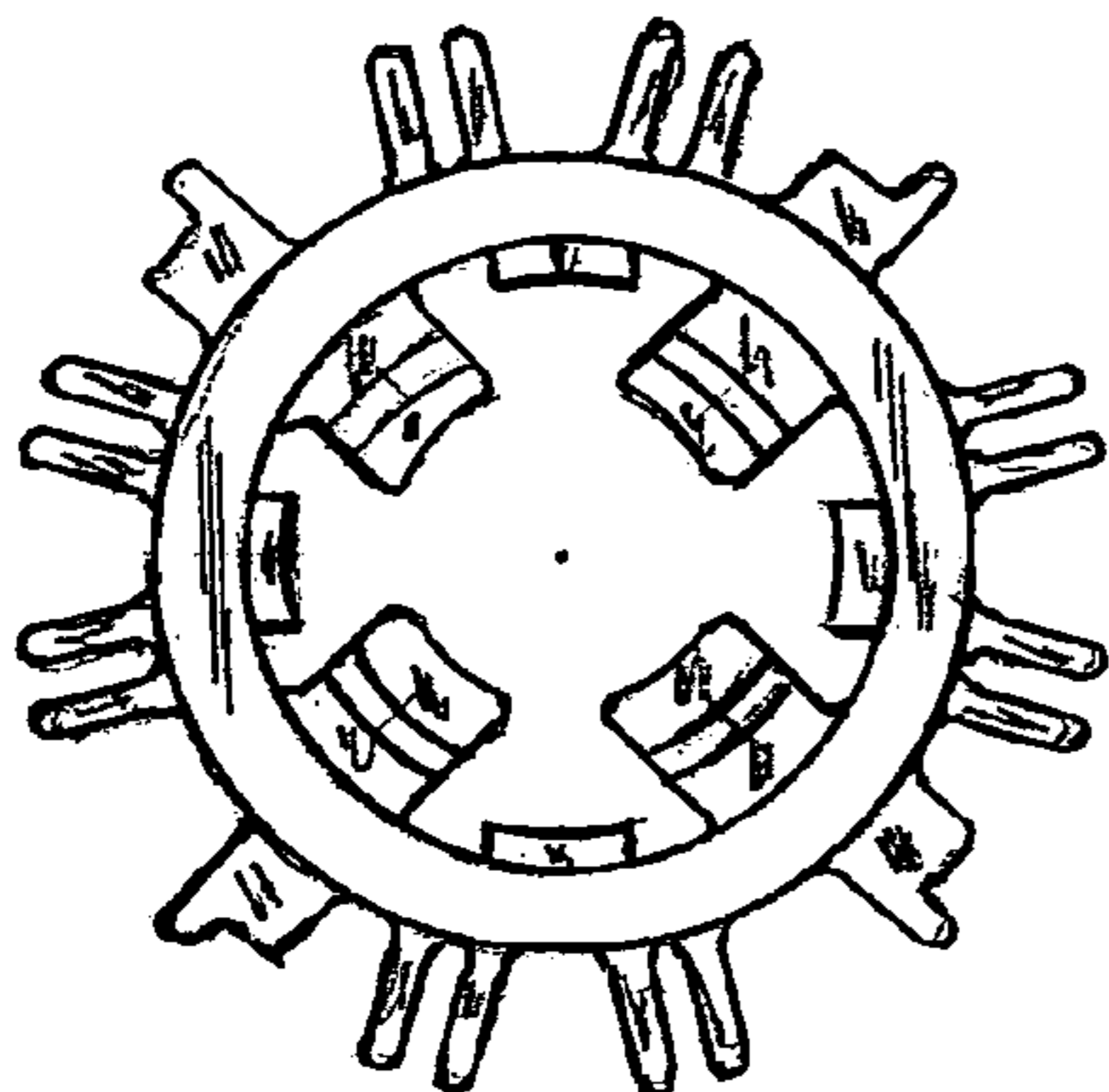


Fig. 4