



US00D556101S

(12) **United States Design Patent**
Hurlbutt

(10) **Patent No.:** **US D556,101 S**

(45) **Date of Patent:** **** Nov. 27, 2007**

(54) **REAR SHELL FOR A BRAKE BOOSTER**

D348,036 S * 6/1994 Rossigno et al. D12/180

(75) Inventor: **Ryan M. Hurlbutt**, Niles, MI (US)

* cited by examiner

(73) Assignee: **Robert Bosch GmbH**, Stuttgart (DE)

Primary Examiner—Holly H. Baynham

Assistant Examiner—Sheryl Friedman

(74) *Attorney, Agent, or Firm*—Leo H. McCormick, Jr.; Sarah Taylor

(**) Term: **14 Years**

(21) Appl. No.: **29/228,678**

(57) **CLAIM**

(22) Filed: **Apr. 27, 2005**

The ornamental design of a rear shell for a brake booster, as shown and described.

(51) **LOC (8) Cl.** **12-16**

(52) **U.S. Cl.** **D12/180**

(58) **Field of Classification Search** D8/360;
D12/180; 188/71.1, 73.31, 73.39; 91/369.1
See application file for complete search history.

DESCRIPTION

FIG. 1 is a rear perspective view of a rear shell for a brake booster showing my new design;

FIG. 2 is a front elevation view of FIG. 1;

FIG. 3 is a rear elevation view of FIG. 1;

FIG. 4 is a side elevation view of FIG. 1;

FIG. 5 is a top view of FIG. 1; and,

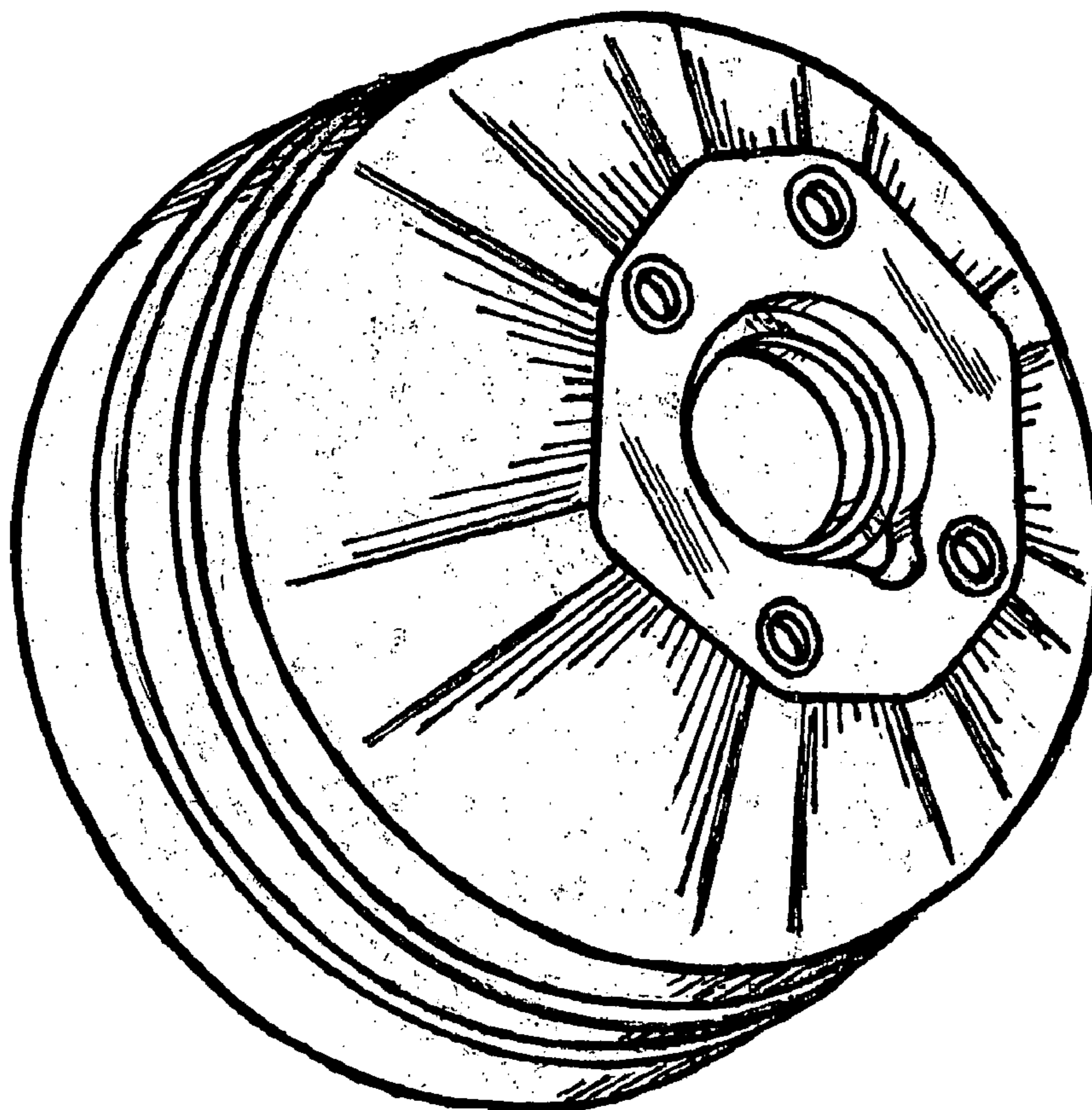
FIG. 6 is a bottom view of FIG. 1.

(56) **References Cited**

U.S. PATENT DOCUMENTS

D215,653 S *	10/1969	Dexter	D12/180
D267,472 S *	1/1983	Kanemitsu	D8/360
D313,932 S *	1/1991	Kanemitsu	D8/360
D319,040 S *	8/1991	Evans	D12/180

1 Claim, 3 Drawing Sheets



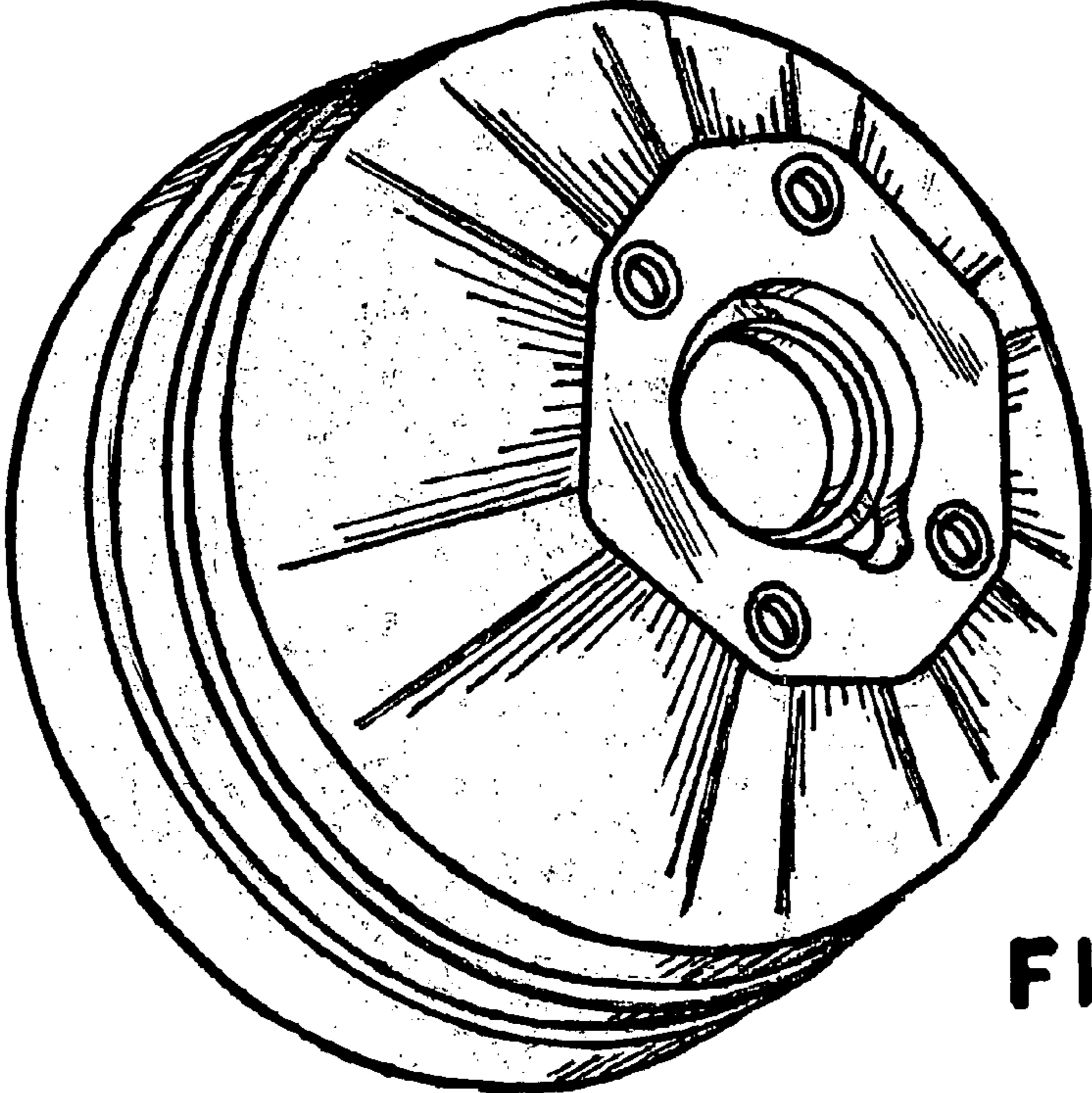


FIG. 1

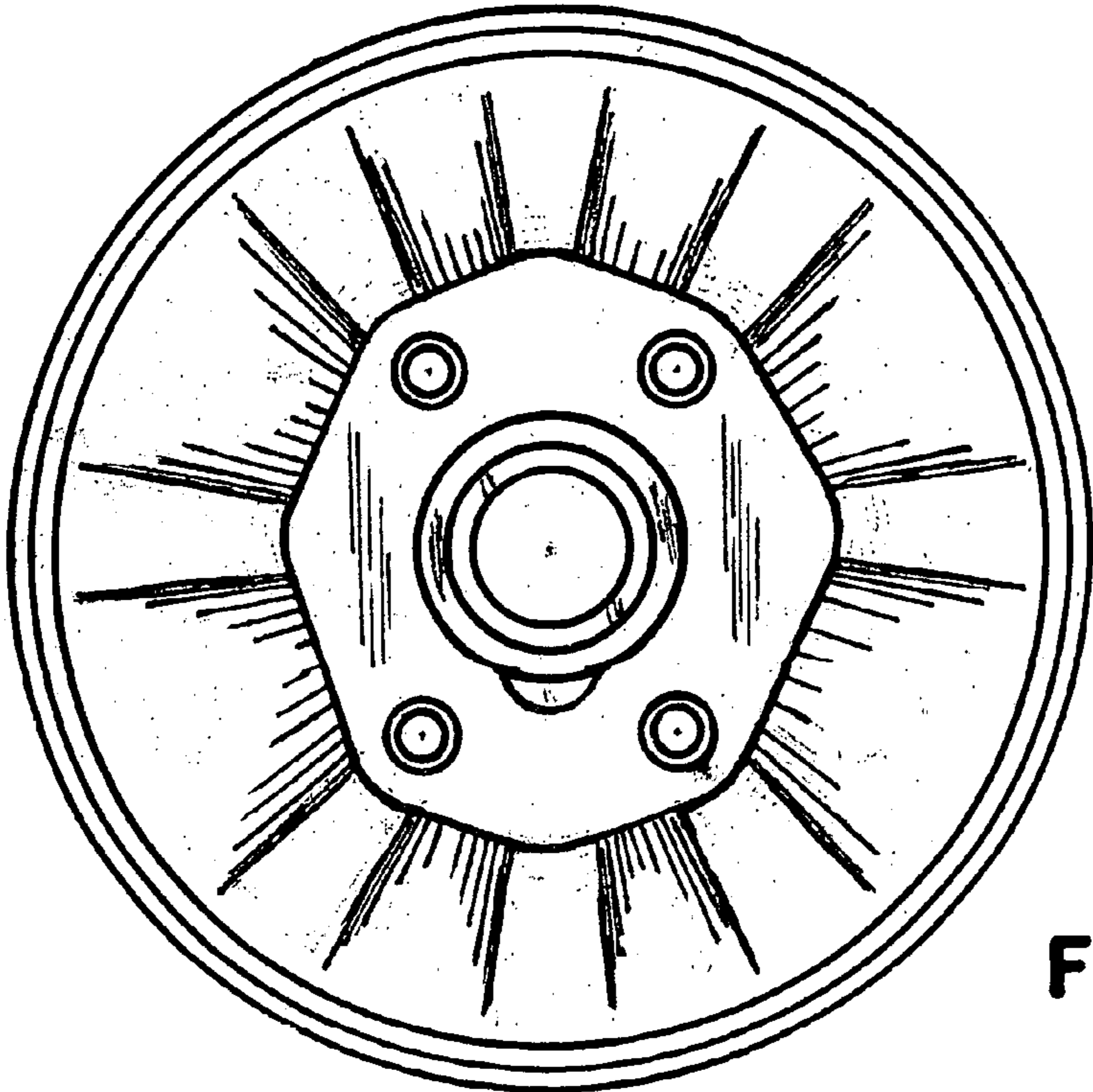


FIG. 2

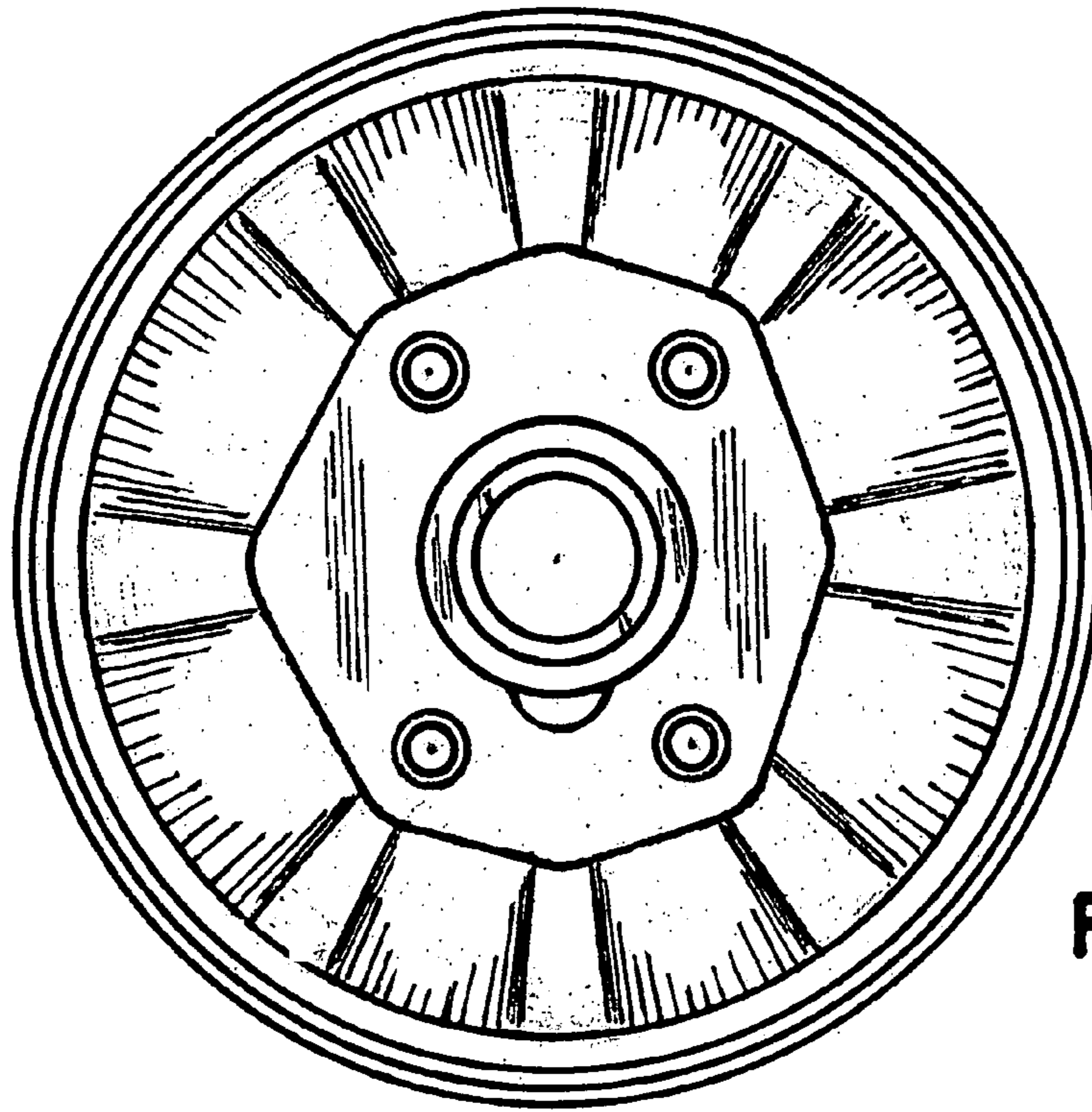


FIG. 3

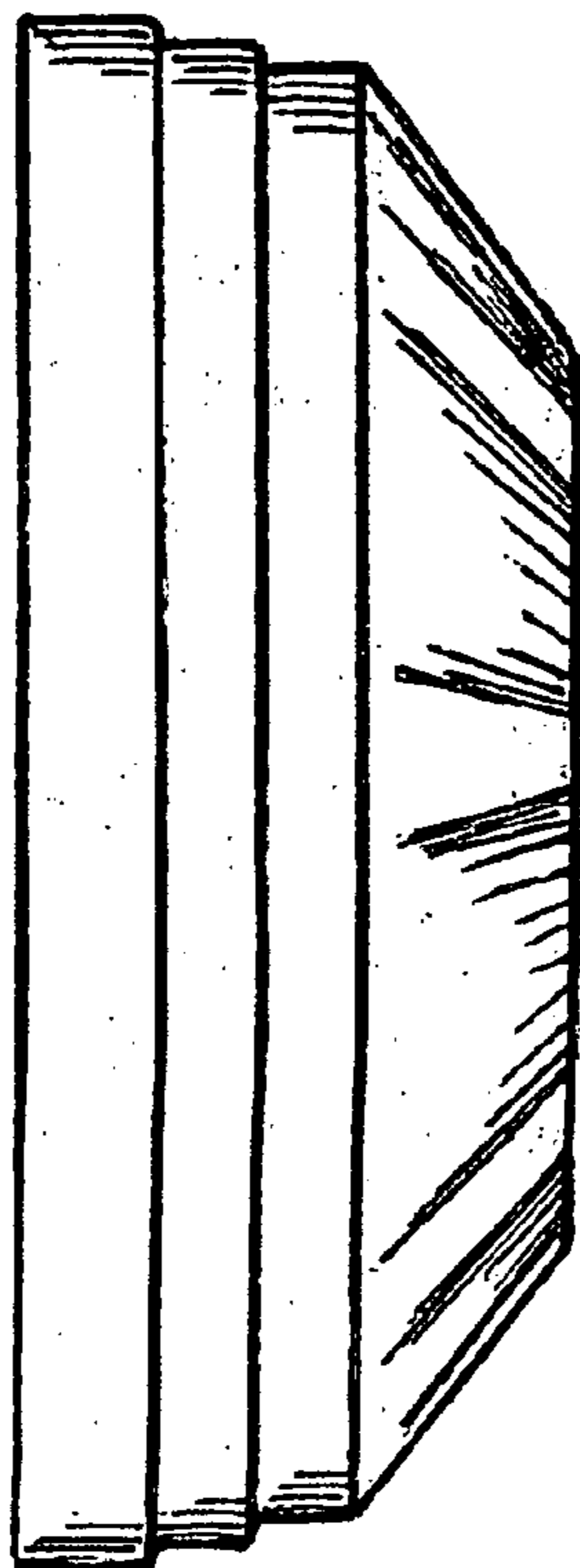


FIG. 4



FIG. 5

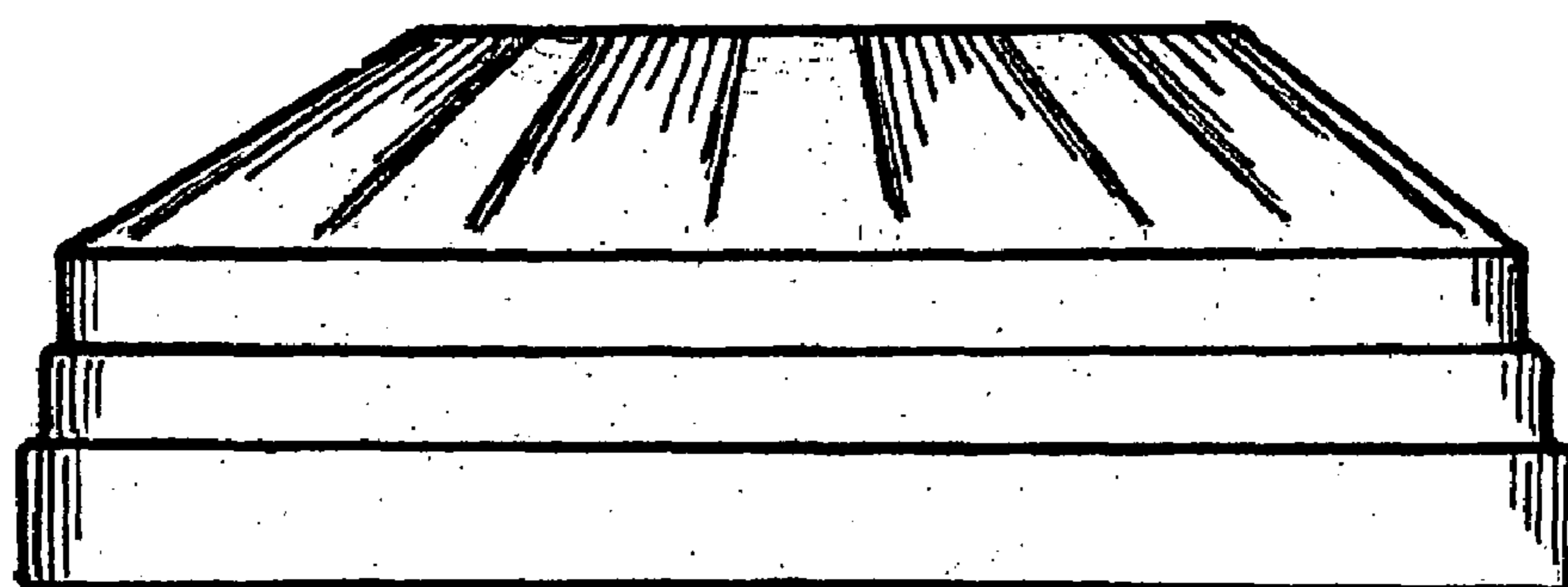


FIG. 6