



US00D556098S

(12) **United States Design Patent** (10) **Patent No.:** **US D556,098 S**
Amdahl et al. (45) **Date of Patent:** **** Nov. 27, 2007**

(54) **CHILD STROLLER** 5,876,046 A * 3/1999 Courtney et al. 280/30
5,876,049 A 3/1999 Spear et al.
(75) Inventors: **Keith Louis Amdahl**, Chisago City, MN (US); **Matthew Charles Burk**, Forest Lake, MN (US) D408,335 S * 4/1999 Eyman et al. D12/129
D415,073 S 10/1999 Meehan et al.
D418,090 S 12/1999 Meehan et al.
6,079,720 A 6/2000 Spear et al.
(73) Assignee: **Smarte Carte, Inc.**, St. Paul, MN (US) 6,161,848 A 12/2000 Beumer et al.
6,193,247 B1 2/2001 Spear et al.
D468,880 S 1/2003 Porter
(**) Term: **14 Years** 6,536,786 B1 3/2003 Katoozian
6,669,212 B2 12/2003 Porter
(21) Appl. No.: **29/270,907** 2002/0036391 A1 * 3/2002 Sweeney et al. 280/650
2006/0082183 A1 * 4/2006 Hudson 296/77.1
(22) Filed: **Jan. 5, 2007** 2007/0108710 A1 * 5/2007 Pennisi et al. 280/47.38

(51) **LOC (8) Cl.** **12-12**
(52) **U.S. Cl.** **D12/129**
(58) **Field of Classification Search** D12/129-133;
280/30, 36, 38, 42, 47, 641, 643, 650, 658
See application file for complete search history.

(56) **References Cited**
U.S. PATENT DOCUMENTS

D146,811 S	5/1947	Schaub	
3,718,344 A	2/1973	Lohr et al.	
D240,297 S	6/1976	Trubiano	
4,378,946 A	4/1983	Voytko et al.	
D274,714 S	7/1984	Cone	
5,005,902 A	4/1991	Farnworth et al.	
D329,278 S	9/1992	Gallup	
5,149,115 A	9/1992	Sampedro	
D337,357 S	7/1993	Monneret	
5,261,690 A	11/1993	Kluber	
5,308,096 A	5/1994	Smith	
D348,489 S *	7/1994	Monneret D21/535
5,354,079 A	10/1994	Hettenbach	
D356,761 S	3/1995	Jacobs et al.	
D366,161 S	1/1996	Arcouette	
D367,301 S	2/1996	Monneret	
5,590,896 A	1/1997	Eichhorn	
5,599,033 A	2/1997	Kolbus et al.	
D379,333 S	5/1997	Jacobs	
5,645,290 A	7/1997	Gaffney et al.	
5,669,624 A	9/1997	Eichhorn	
D396,026 S	7/1998	Arvai	

OTHER PUBLICATIONS

Kiddie Kab Commercial Strollers, www.cs ltd.com Park Kruzzler, 1 page.
SmartCarte, SmarteWheels, 4 pages.

* cited by examiner

Primary Examiner—Ian Simmons
Assistant Examiner—Maurice Stevens
(74) *Attorney, Agent, or Firm*—Merchant & Gould P.C.

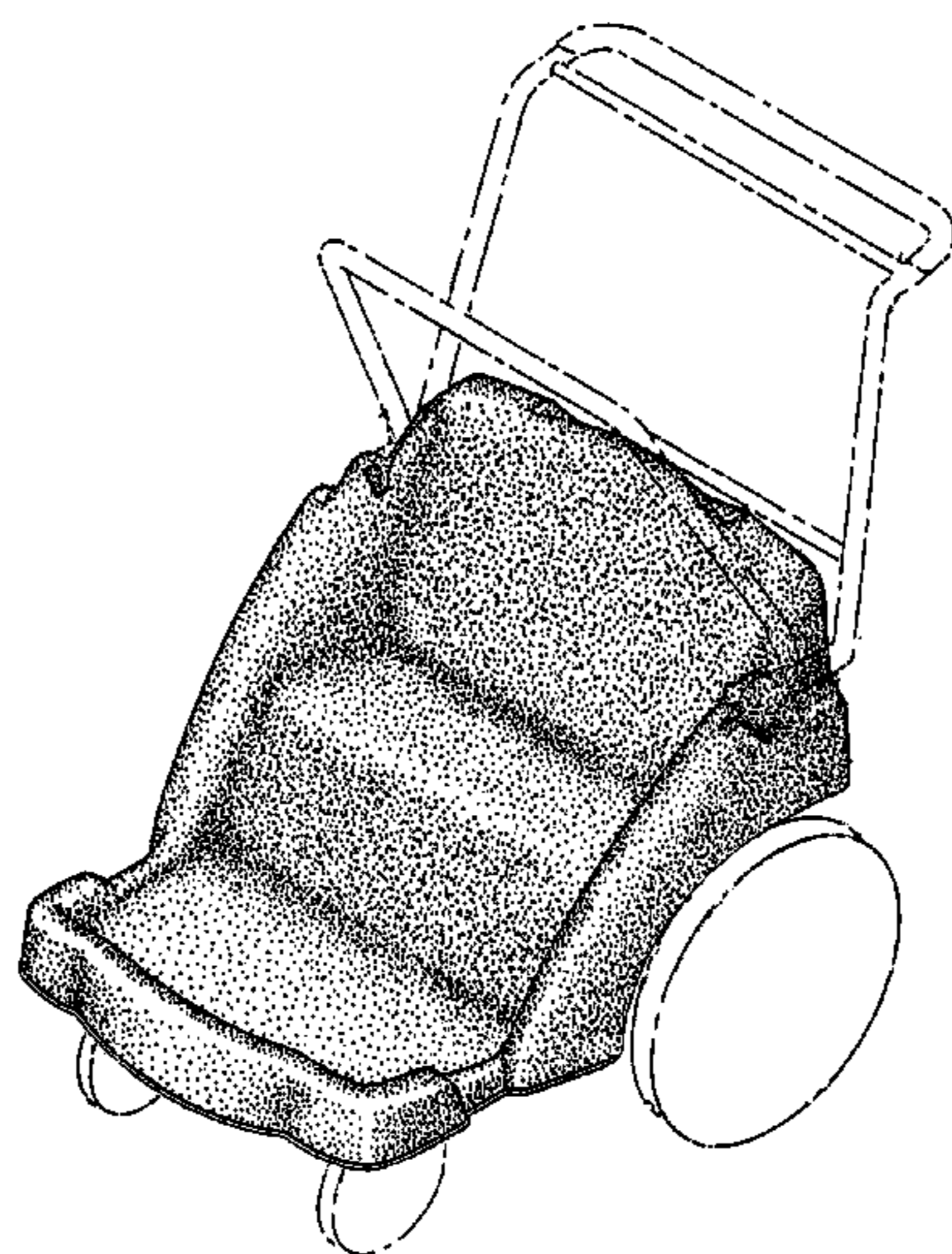
(57) **CLAIM**

The ornamental design for child stroller, as shown and described.

DESCRIPTION

FIG. 1 is a front, perspective view of the child stroller incorporating our new design;
FIG. 2 is a right side elevational view thereof;
FIG. 3 is a front view thereof;
FIG. 4 is a rear view thereof; and,
FIG. 5 is a top view thereof.
The broken lines shown in FIGS. 1-5 are included for the purpose of illustrating environmental structure and form no part of the claimed design.

1 Claim, 5 Drawing Sheets



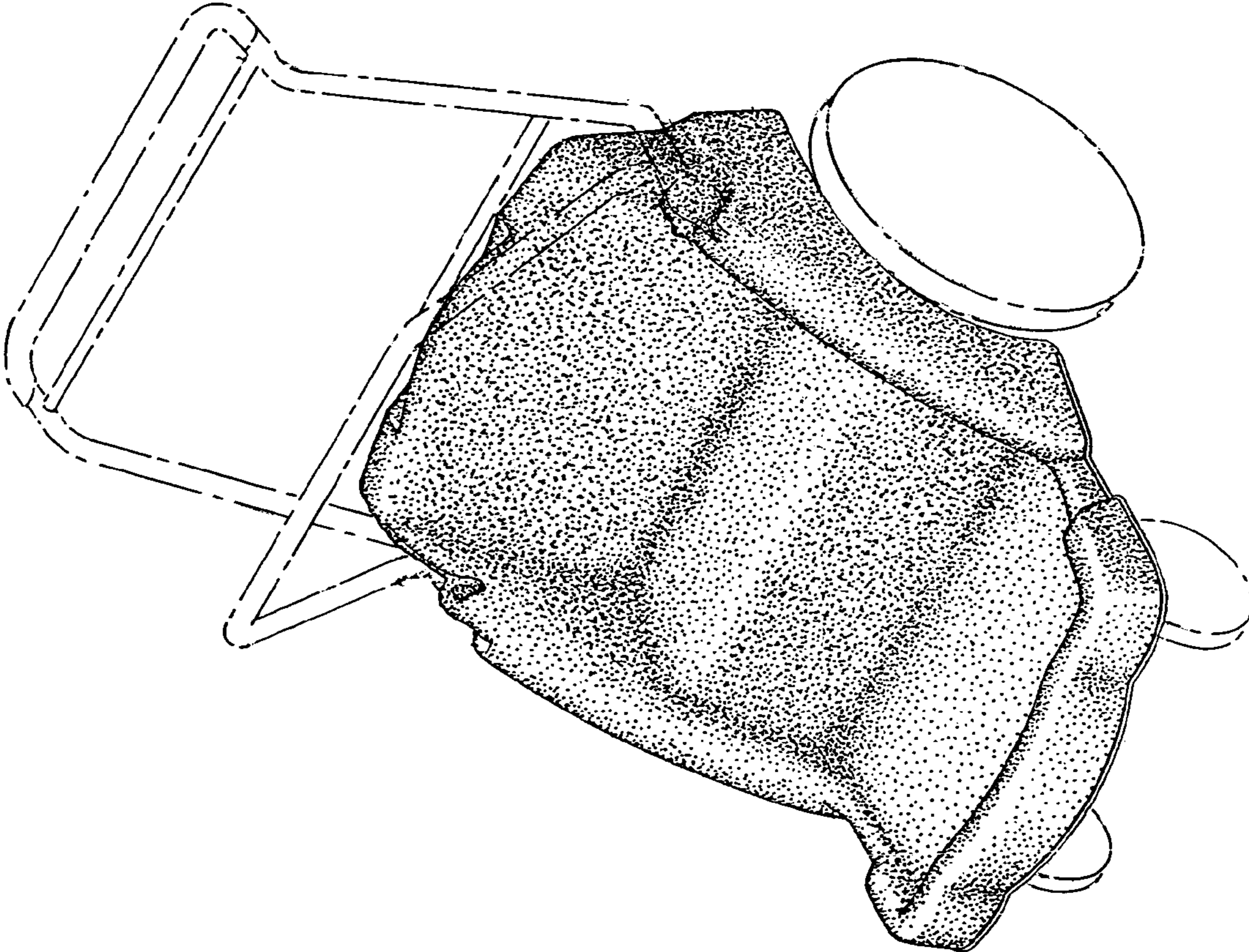


FIG. 1

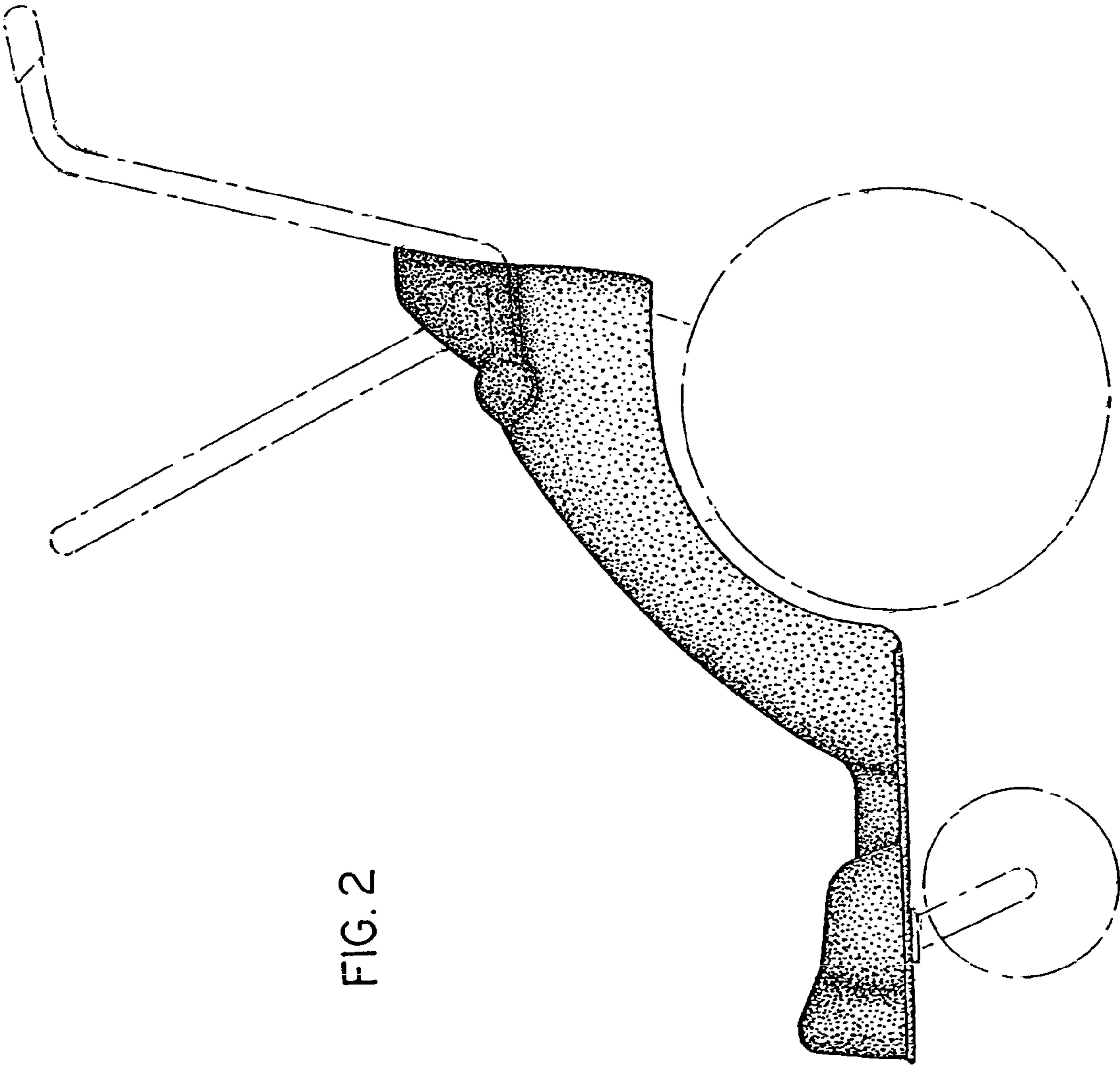


FIG. 2

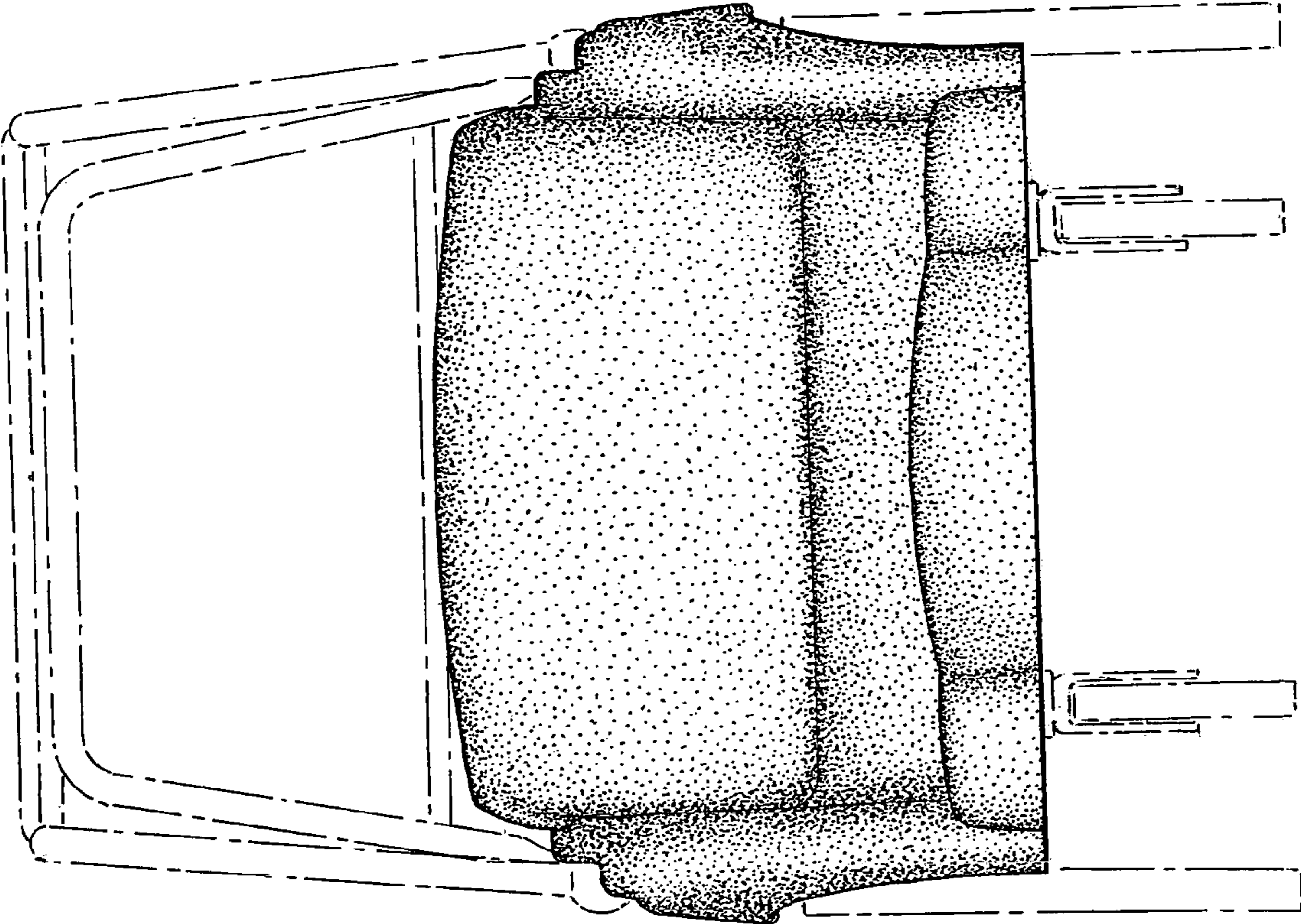


FIG. 3

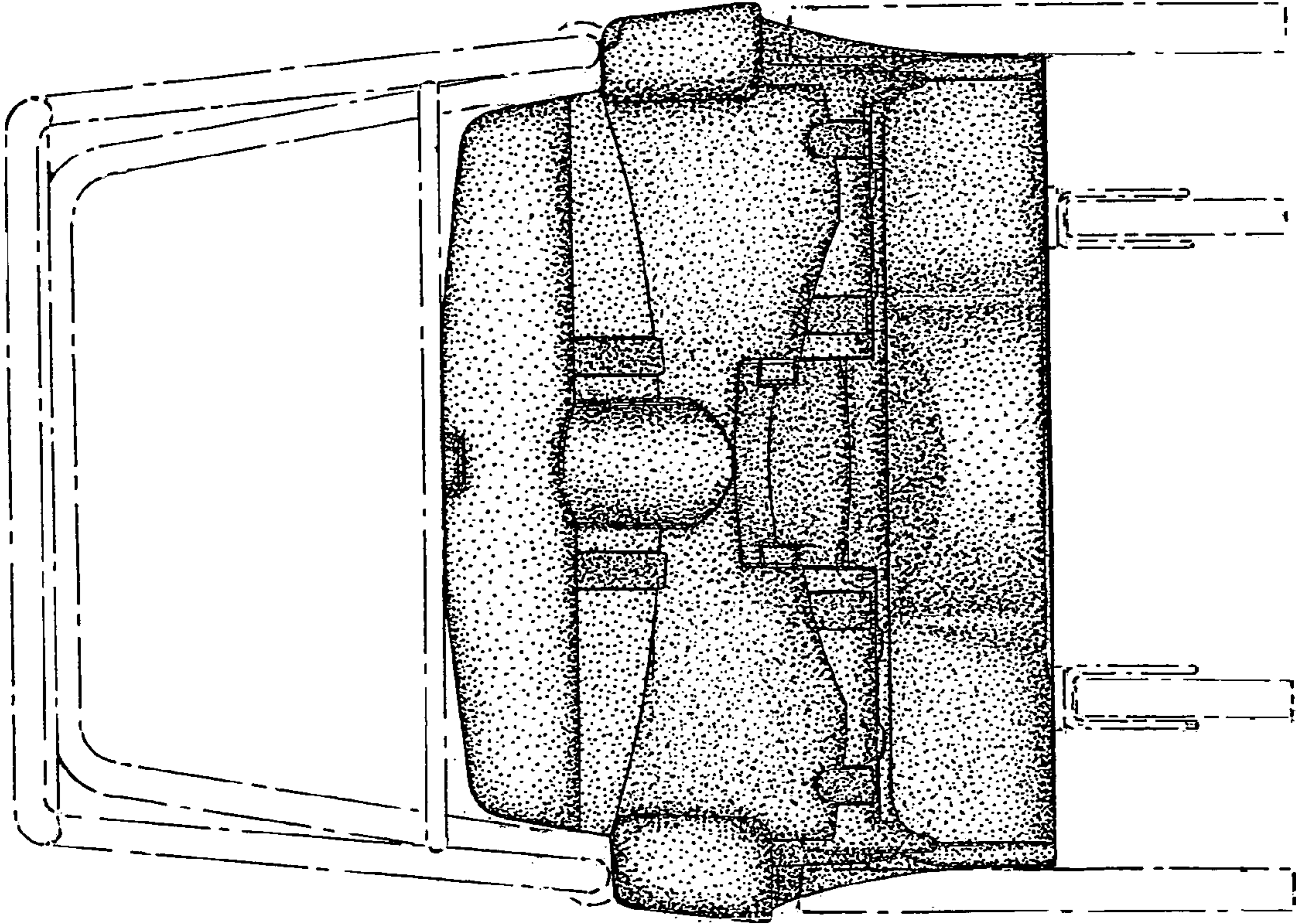


FIG. 4

FIG. 5

